



US00D768384S

(12) **United States Design Patent** (10) **Patent No.:** **US D768,384 S**
Seale (45) **Date of Patent:** **** Oct. 11, 2016**

(54) **TOOL KIT CASE**
(71) Applicant: **Anderson Seale**, Manchester (GB)
(72) Inventor: **Anderson Seale**, Manchester (GB)
(**) Term: **14 Years**
(21) Appl. No.: **29/525,835**
(22) Filed: **May 4, 2015**
(51) **LOC (10) Cl.** **03-01**
(52) **U.S. Cl.**
USPC **D3/282; D3/905**
(58) **Field of Classification Search**
USPC D3/272, 273, 274, 276, 281, 282, 288,
D3/294, 905, 232, 239, 242, 245, 246
CPC B25H 3/00; B25H 3/02; B25H 3/003;
B25H 3/006; B25H 3/021; B25H 3/022;
B25H 3/023; B25H 3/025; B25H 3/026;
B25H 3/027; B25H 3/028; A45C 5/00;
A45C 5/005; A45C 5/03; A45C 2005/037;
A45C 5/08; A45C 2005/10
See application file for complete search history.

(56) **References Cited**
U.S. PATENT DOCUMENTS
D531,022 S * 10/2006 Au D3/294
D548,968 S * 8/2007 Brown D3/282

D617,557 S * 6/2010 Molina D3/282
D621,615 S * 8/2010 Stern D3/282
D692,660 S * 11/2013 Bloch D3/282
D693,576 S * 11/2013 Chen D3/282
D708,850 S * 7/2014 Morine D3/294
D710,104 S * 8/2014 Tivoly D3/282
D728,935 S * 5/2015 Huang D3/282
D731,790 S * 6/2015 Yabe D3/264
D738,622 S * 9/2015 Sabbag D3/282

* cited by examiner
Primary Examiner — Jennifer Rivard
Assistant Examiner — April Rivas
(74) *Attorney, Agent, or Firm* — John P. McGonagle

(57) **CLAIM**
The ornamental design for a tool kit case, as shown.

DESCRIPTION
FIG. 1 is a front perspective view of a tool kit case showing my new design;
FIG. 2 is a bottom view thereof;
FIG. 3 is a top view thereof;
FIG. 4 is a front view thereof;
FIG. 5 is a rear view thereof; and,
FIG. 6 is a side view thereof, the opposite side being a mirror image thereof.

1 Claim, 3 Drawing Sheets

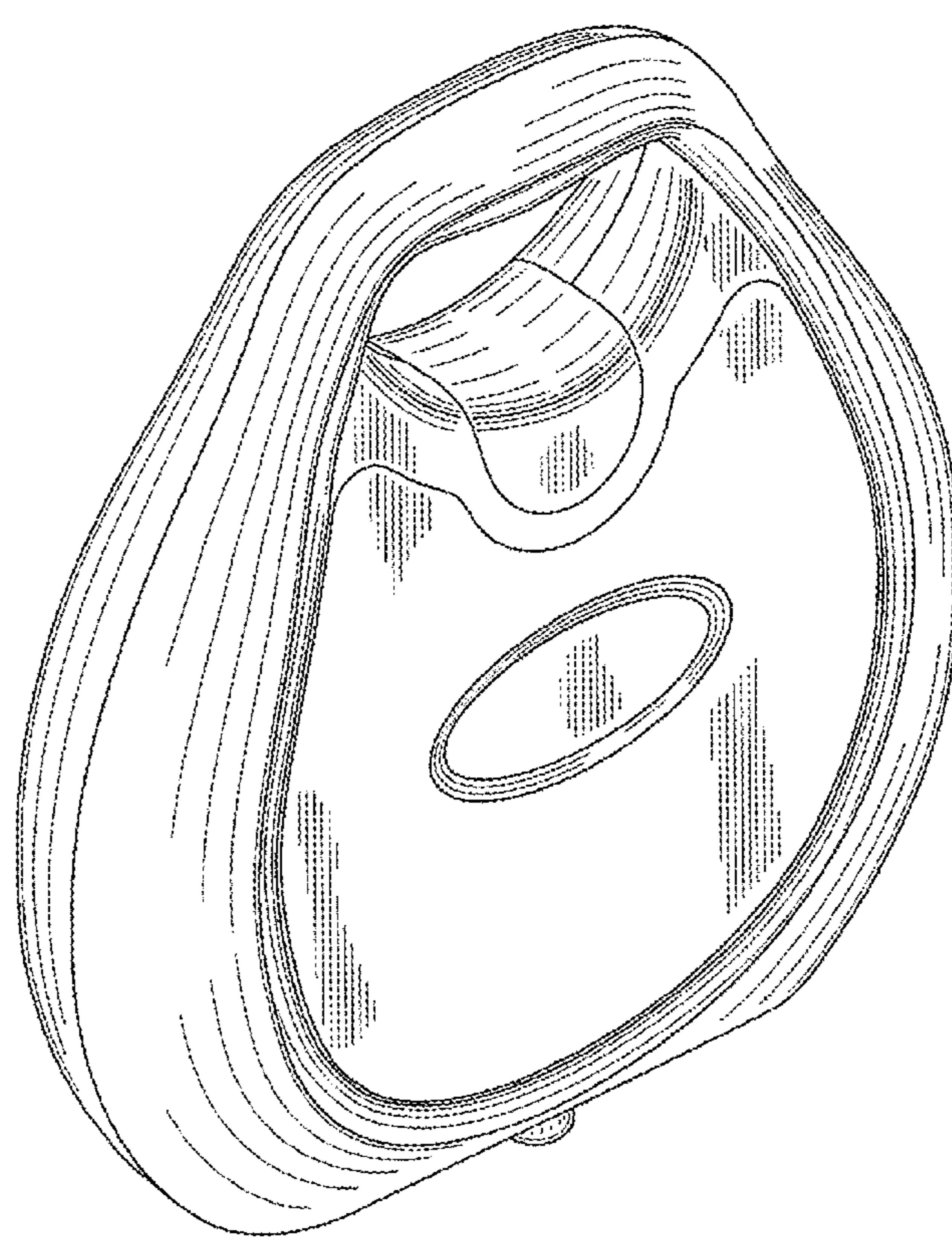




FIG. 1

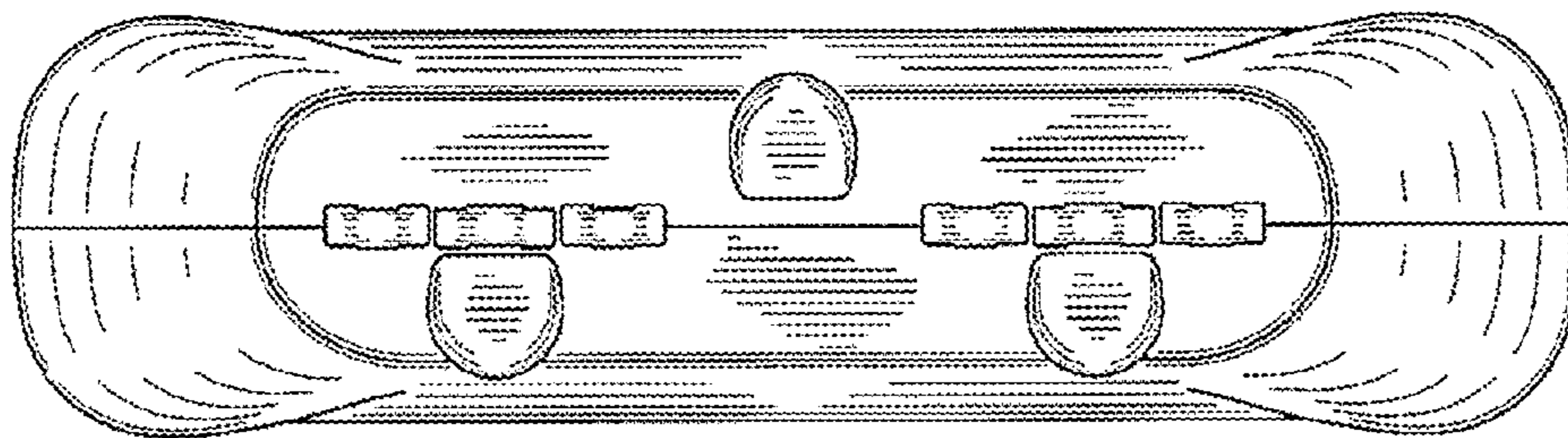


FIG. 2

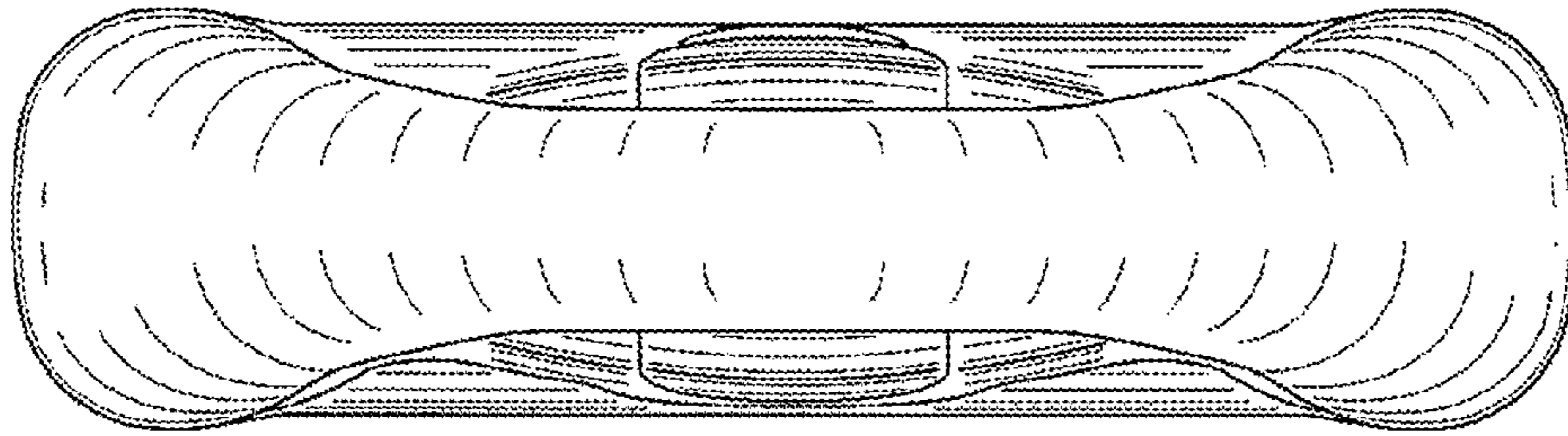


FIG. 3

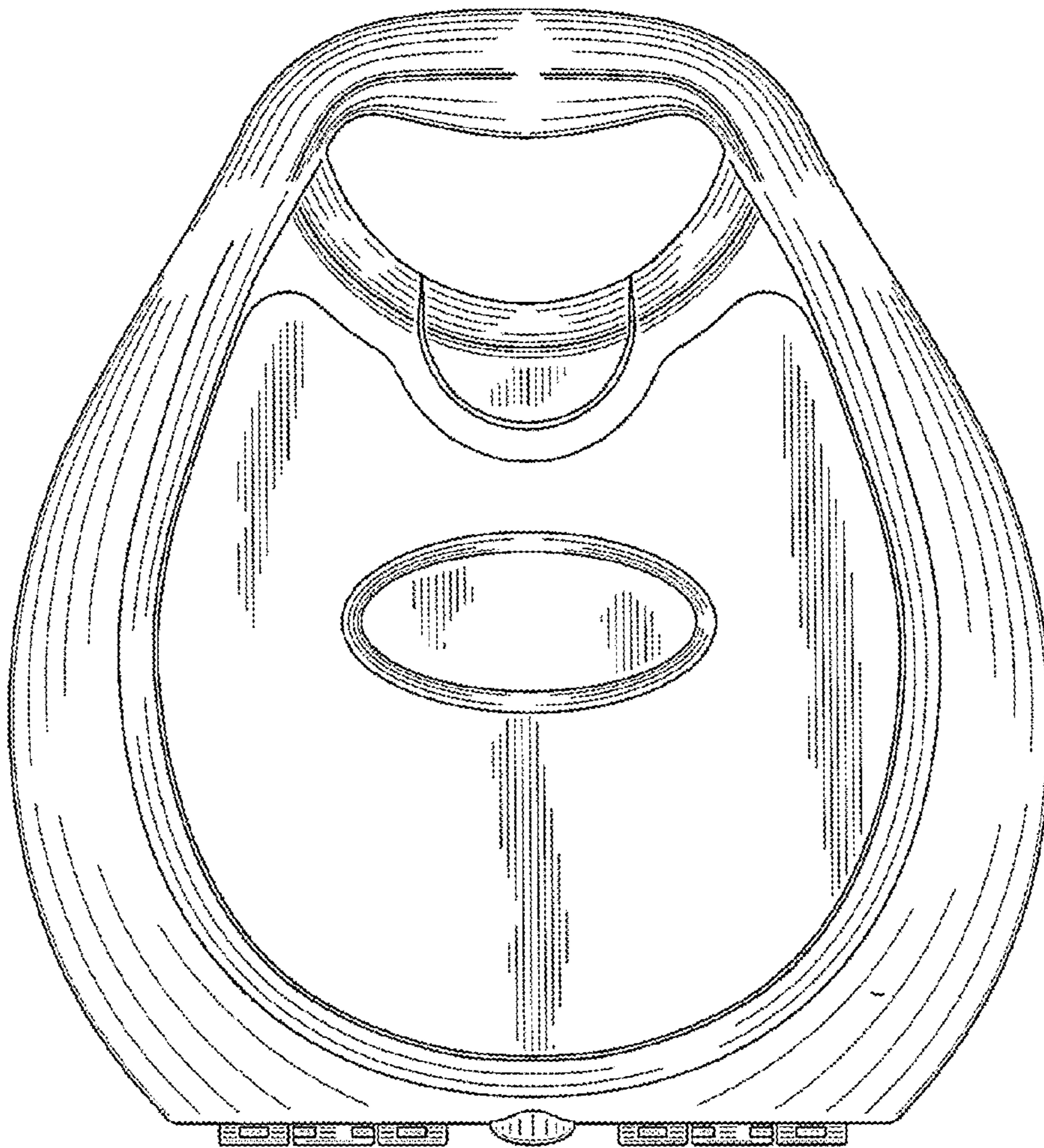


FIG. 4



FIG. 6

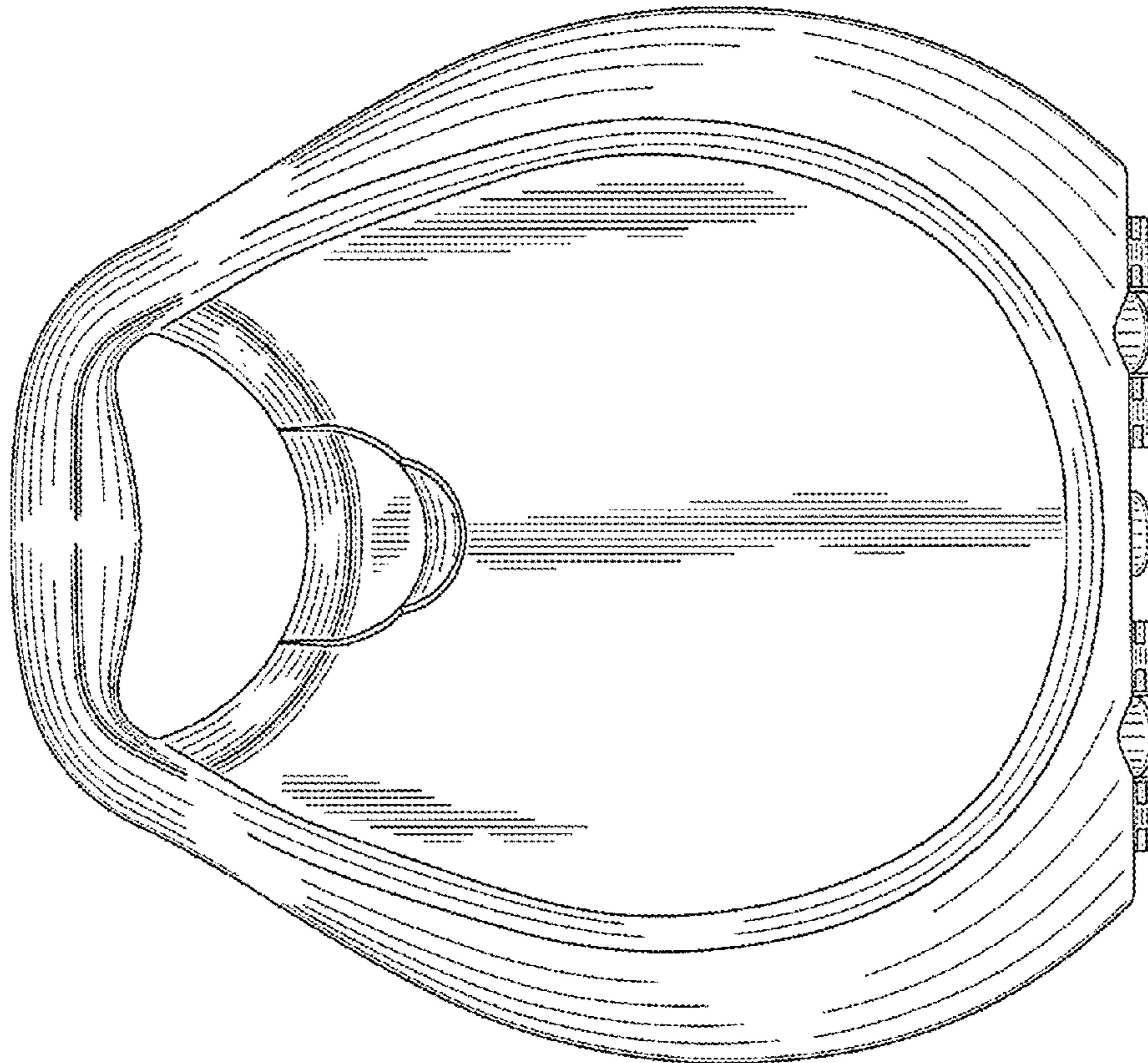


FIG. 5