

US00D768383S

(12) **United States Design Patent** (10) **Patent No.:** **US D768,383 S**
Wu (45) **Date of Patent:** **** Oct. 11, 2016**

- (54) **WALLET**
- (71) Applicant: **Arthur Wu**, North Hollywood, CA (US)
- (72) Inventor: **Arthur Wu**, North Hollywood, CA (US)
- (73) Assignee: **Arthur Wu**, North Hollywood, CA (US)
- (**) Term: **15 Years**
- (21) Appl. No.: **29/545,206**
- (22) Filed: **Nov. 10, 2015**
- (51) **LOC (10) Cl.** **03-01**
- (52) **U.S. Cl.**
USPC **D3/247**
- (58) **Field of Classification Search**
USPC D2/861; D3/20, 203.6, 205, 206, 208, D3/226, 232, 245, 247-253, 303, 324; D11/78.1; D14/250; D19/3, 27, 75, 86, D19/91, 102
CPC A45C 1/06; A45C 3/08; B68F 1/00
See application file for complete search history.

D694,007 S *	11/2013	D'Amore	D3/247
D706,536 S *	6/2014	Nikosey	D3/247
D713,143 S *	9/2014	Ashley	D3/247
D716,043 S *	10/2014	Wilk	D3/247
D718,525 S *	12/2014	Kim	D3/247
D723,798 S *	3/2015	Sha	D3/247
D724,840 S *	3/2015	Fridstrom	D3/247
D724,841 S *	3/2015	Schneider	D3/247
2005/0279435 A1 *	12/2005	Coates	A45C 11/182 150/147

OTHER PUBLICATIONS

Elephant Wallet—downloaded on Mar. 6, 2016 from www.elephantwallet.com.
Humm Wallet—downloaded on Mar. 6, 2016 from www.hummwallet.com.
Ridge Wallet—downloaded on Mar. 6, 2016 from www.ridgewallet.com/.
Asset Wallet—downloaded on Mar. 6, 2016 from www.kickstarter.com/projects/princesation/asset-the-modem-wallet-with-nfc-technology.
Cardstack Wallet—downloaded on Mar. 6, 2016 from <http://cardstack.co>.

(Continued)

Primary Examiner — Susan E Krakower
Assistant Examiner — Lisa A Grabenstetter

(56) **References Cited**

U.S. PATENT DOCUMENTS

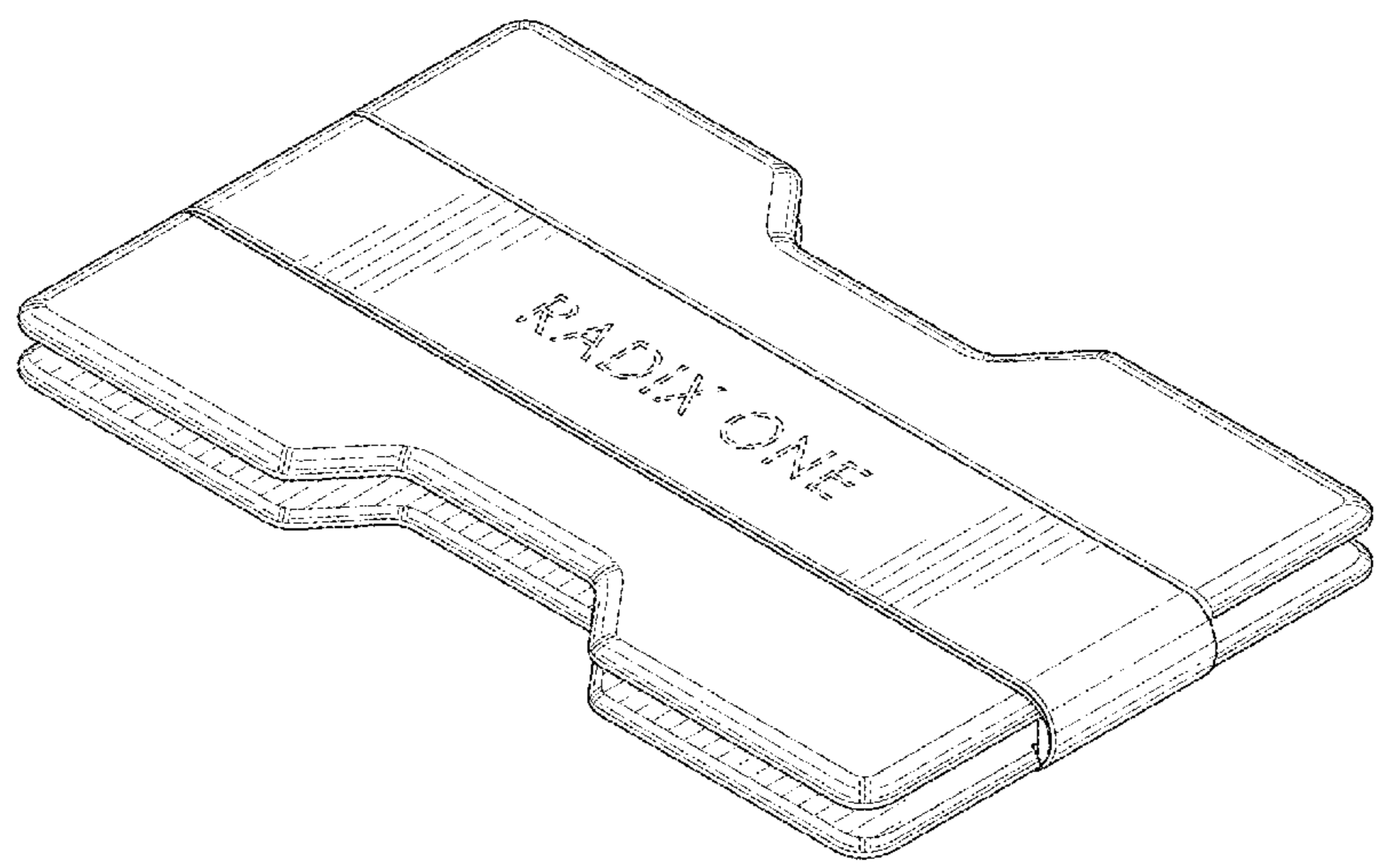
D527,898 S *	9/2006	Tavone	D3/247
D553,354 S *	10/2007	Kohler	D3/247
D574,614 S *	8/2008	Sanders	D3/247
D584,049 S *	1/2009	Uzelac	D3/247
D590,151 S *	4/2009	Karobkina	D3/247
D611,249 S *	3/2010	Uzelac	D3/247
D616,295 S *	5/2010	Britt	D19/9
D620,252 S *	7/2010	Keels	D3/247
D622,958 S *	9/2010	Moore	D3/247
D628,796 S *	12/2010	Uzelac	D3/247
D632,076 S *	2/2011	Westrick	D3/247
D638,624 S *	5/2011	Lyons	D3/247
D650,581 S *	12/2011	Wallace	D3/247
D687,630 S *	8/2013	Warner	D3/247
D690,931 S *	10/2013	Minn	D3/247

(57) **CLAIM**
The ornamental design for a wallet, as shown and described.

DESCRIPTION

FIG. 1 is a perspective view of a wallet, showing my new design;
FIG. 2 is a bottom plan view thereof;
FIG. 3 is a top plan view thereof;
FIG. 4 is a right side view thereof;
FIG. 5 is a left side view thereof;
FIG. 6 is a front view thereof; and,
FIG. 7 is a back view thereof.
The broken lines are included to show unclaimed portions of the design.

1 Claim, 6 Drawing Sheets



(56)

References Cited

Silverback Wallet—downloaded from Mar. 6, 2016 from www.amazon.com/dp/B00PN2B9TG/?tag=slimwallet-20.

Minimo Wallet—downloaded from Mar. 6, 2016 from www.minimostore.com.

OTHER PUBLICATIONS

Obstructures Wallet—downloaded from Mar. 6, 2016 from <http://obstructures.org/work/thing/18/wallet-aluminum-plate>.

* cited by examiner

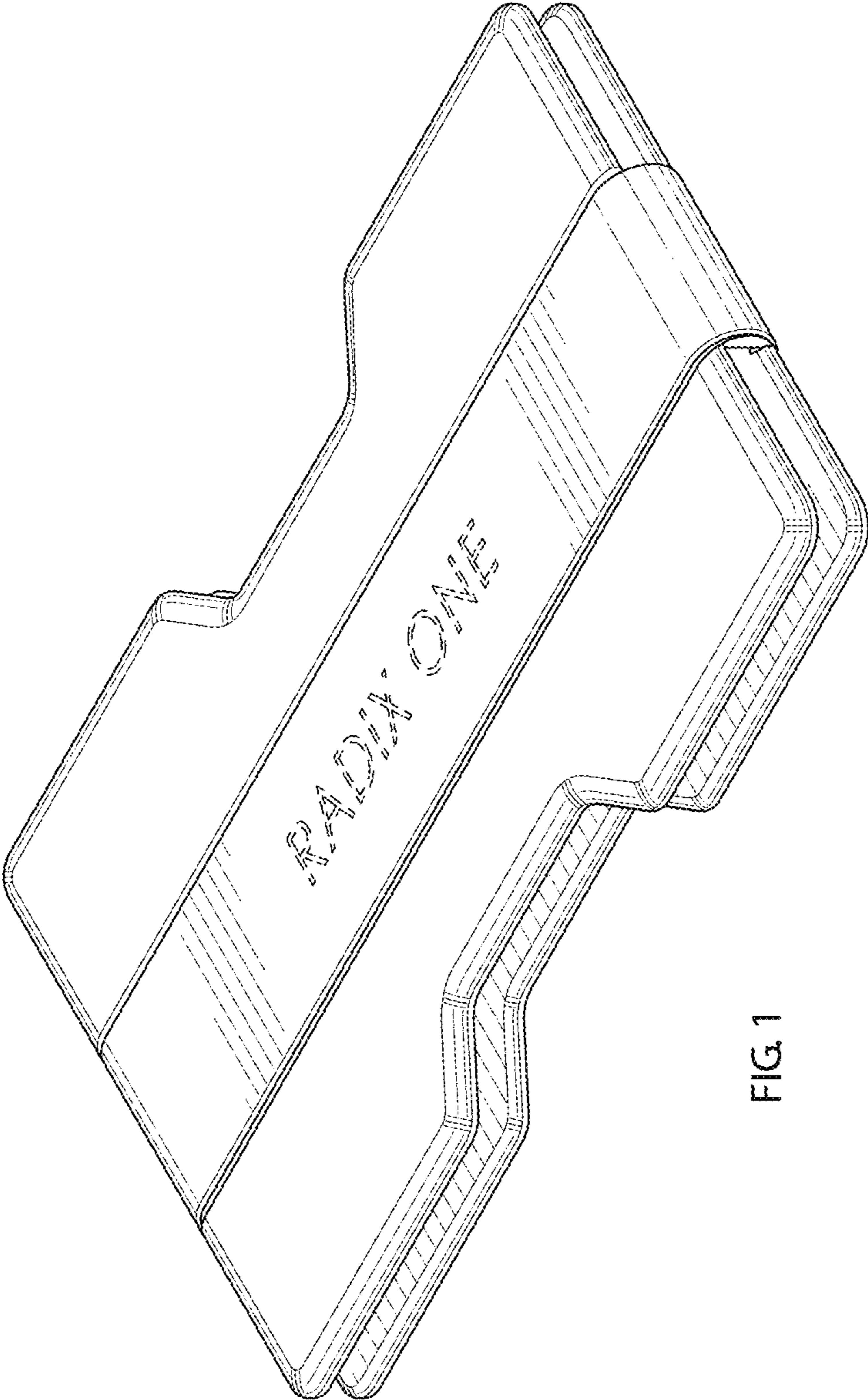


FIG. 1

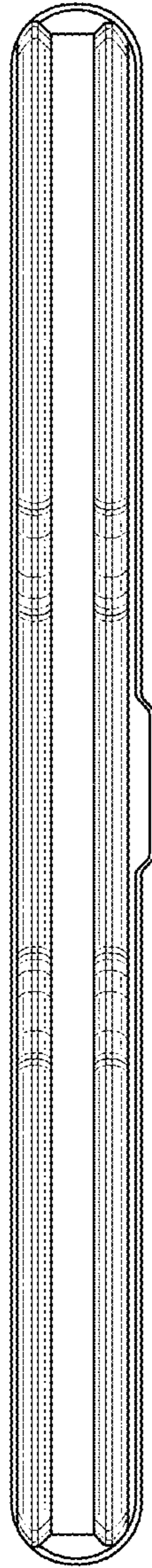


FIG. 2

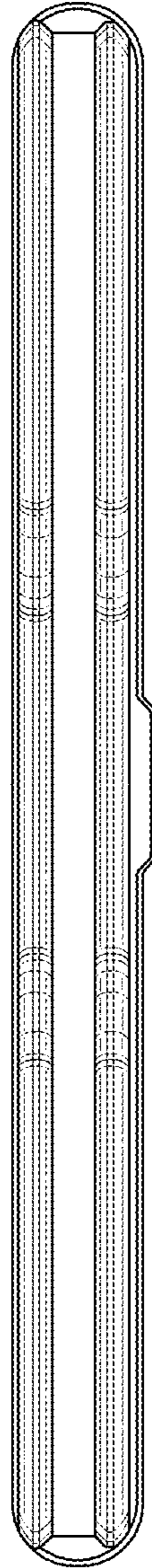


FIG. 3

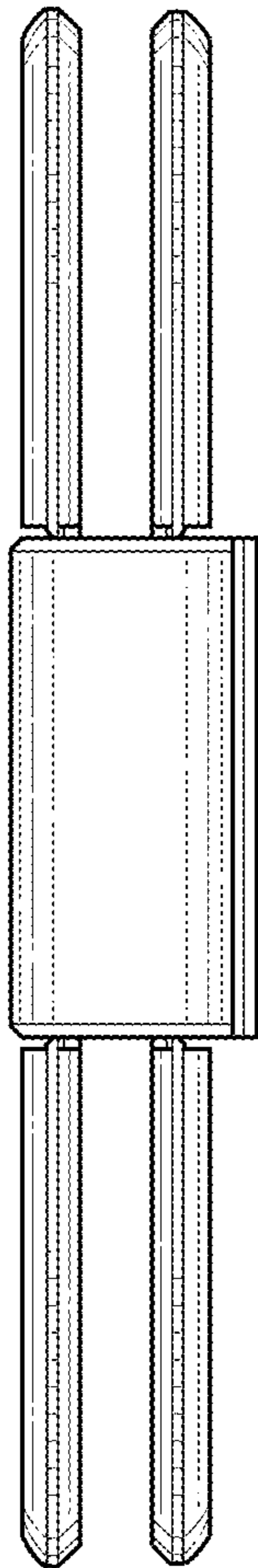


FIG. 4

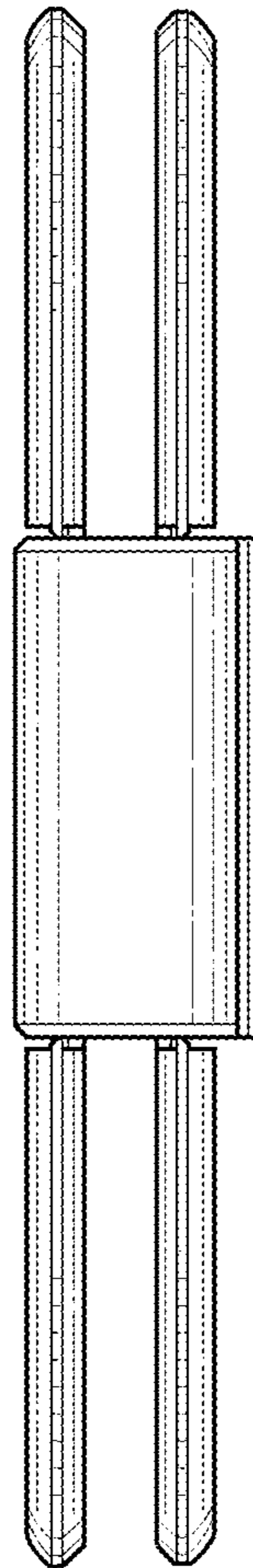


FIG. 5

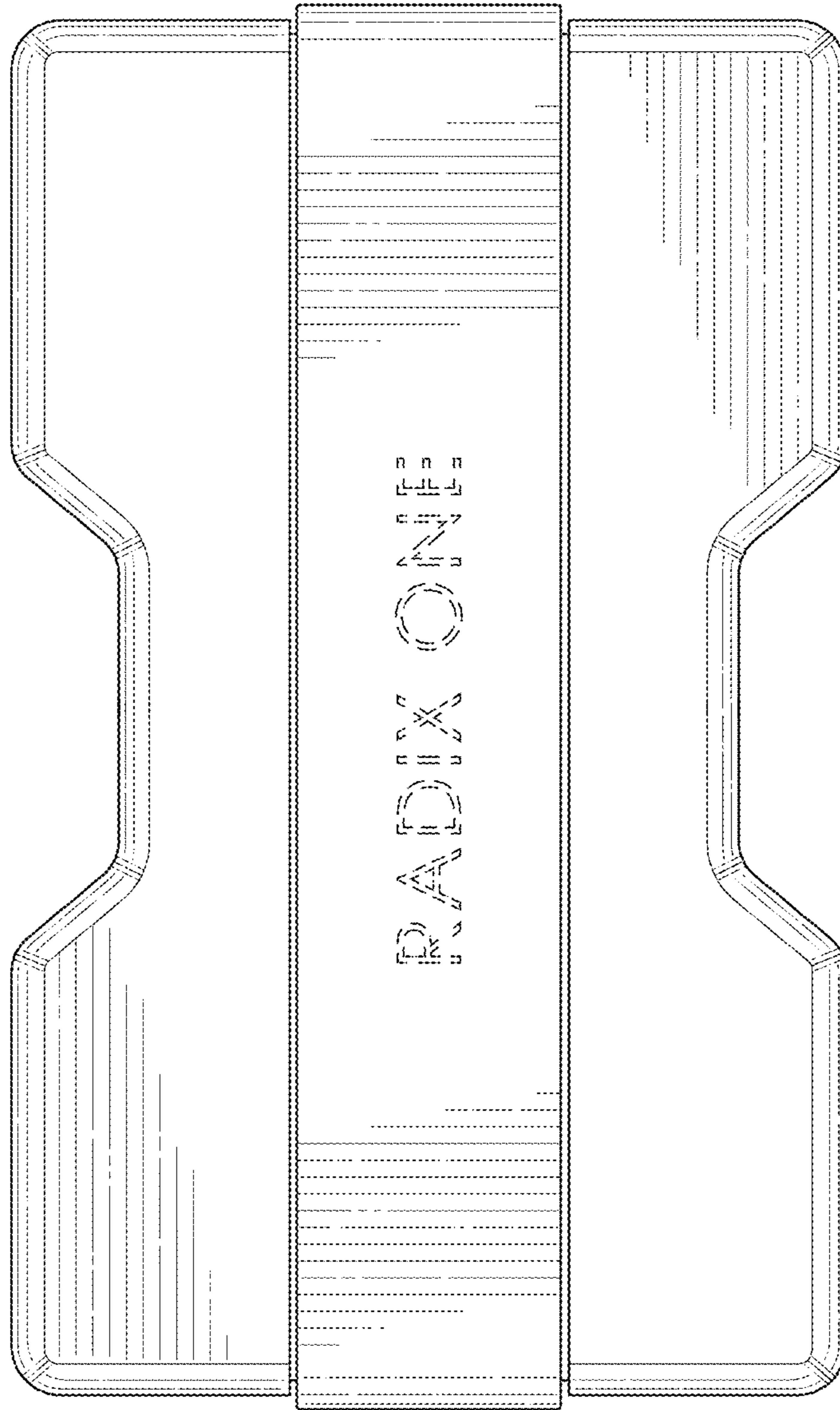


FIG. 6

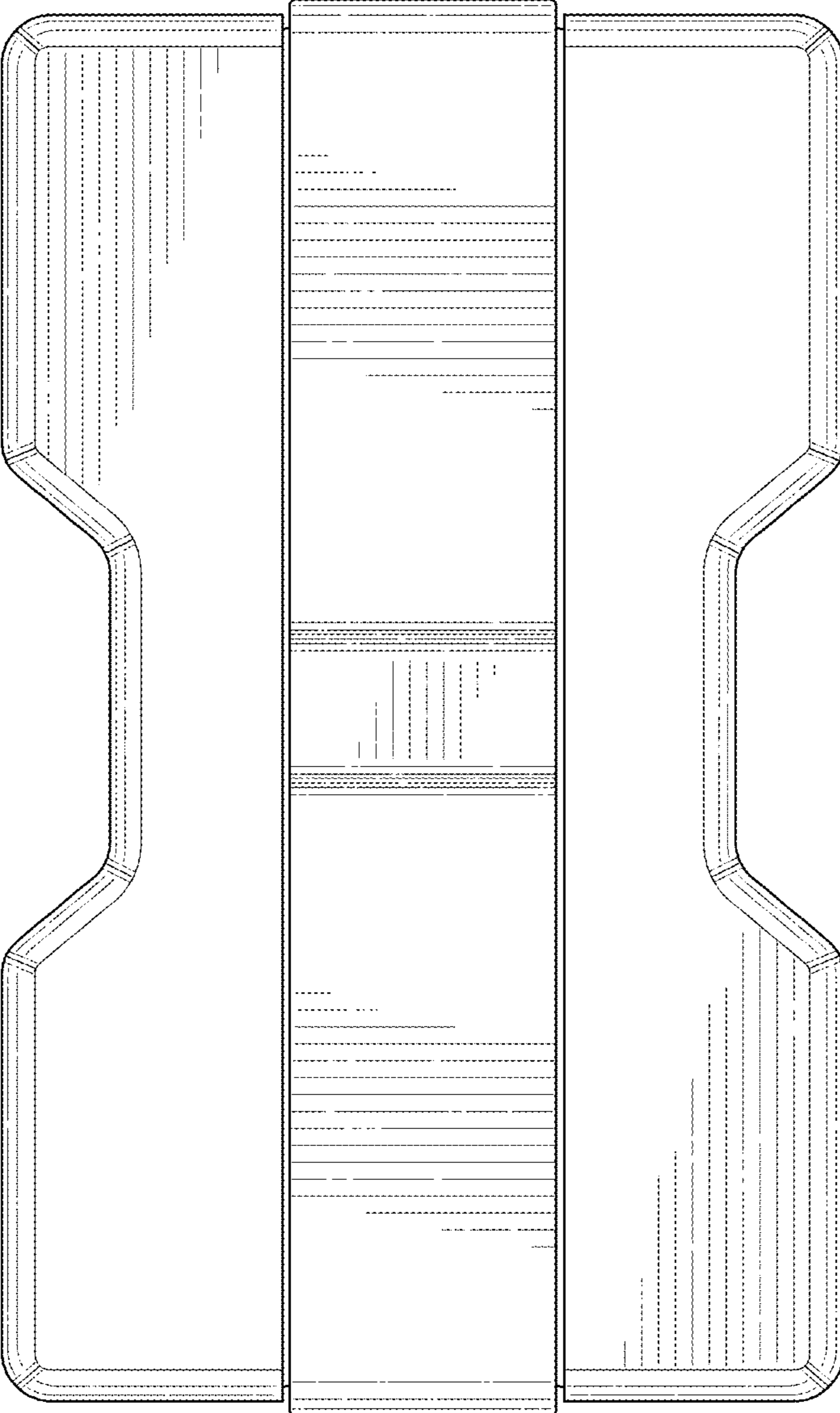


FIG. 7