



US00D768380S

(12) **United States Design Patent**
Bertrand

(10) **Patent No.:** **US D768,380 S**

(45) **Date of Patent:** **** Oct. 11, 2016**

(54) **BAG**

OTHER PUBLICATIONS

(71) Applicant: **Shujan Bertrand**, San Francisco, CA
(US)

<http://wataru-yoshida.com/wordpress/wp-content/uploads/2010/11/d.jpg>.

(72) Inventor: **Shujan Bertrand**, San Francisco, CA
(US)

* cited by examiner

(**) Term: **14 Years**

Primary Examiner — Holly Baynham

(74) *Attorney, Agent, or Firm* — Raj Abhyanker, P.C.

(21) Appl. No.: **29/522,737**

(57) **CLAIM**

The ornamental design for a bag, as shown and described.

(22) Filed: **Apr. 2, 2015**

(51) **LOC (10) Cl.** **03-01**

(52) **U.S. Cl.**

USPC **D3/232**

(58) **Field of Classification Search**

USPC D3/232–233, 240–243, 245–246

CPC A45C 1/024; A45C 3/06

See application file for complete search history.

DESCRIPTION

FIG. 1 is a perspective view of a bag showing my new design;

FIG. 2 is a top view thereof;

FIG. 3 is a bottom view thereof;

FIG. 4 is a front view thereof;

FIG. 5 is a side view thereof; and,

FIG. 6 is a perspective view of the bag in an open position.

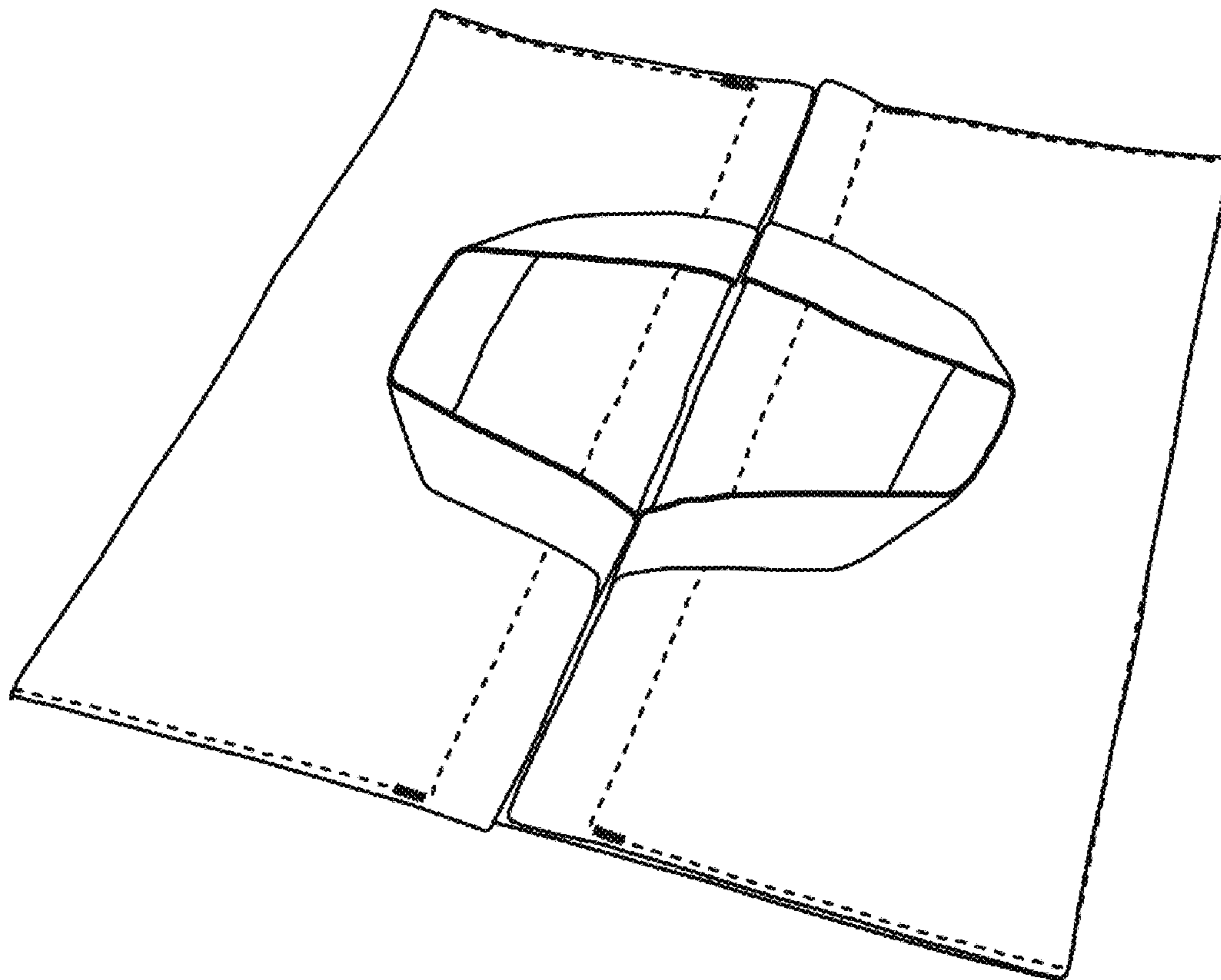
Broken lines represent stitching and is part of the claimed design.

(56) **References Cited**

U.S. PATENT DOCUMENTS

D324,978 S * 3/1992 Rosson D3/232

1 Claim, 3 Drawing Sheets



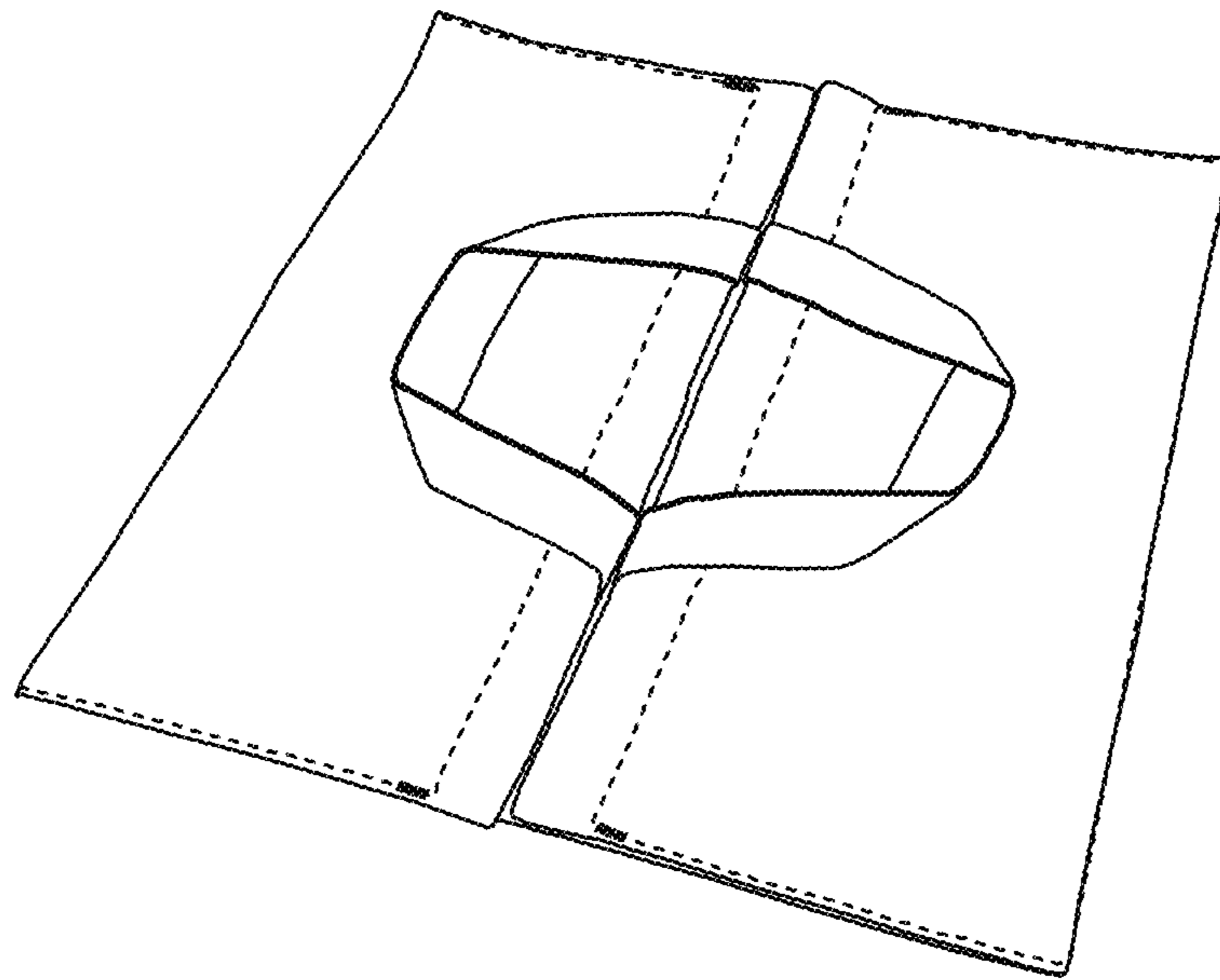


FIG. 1

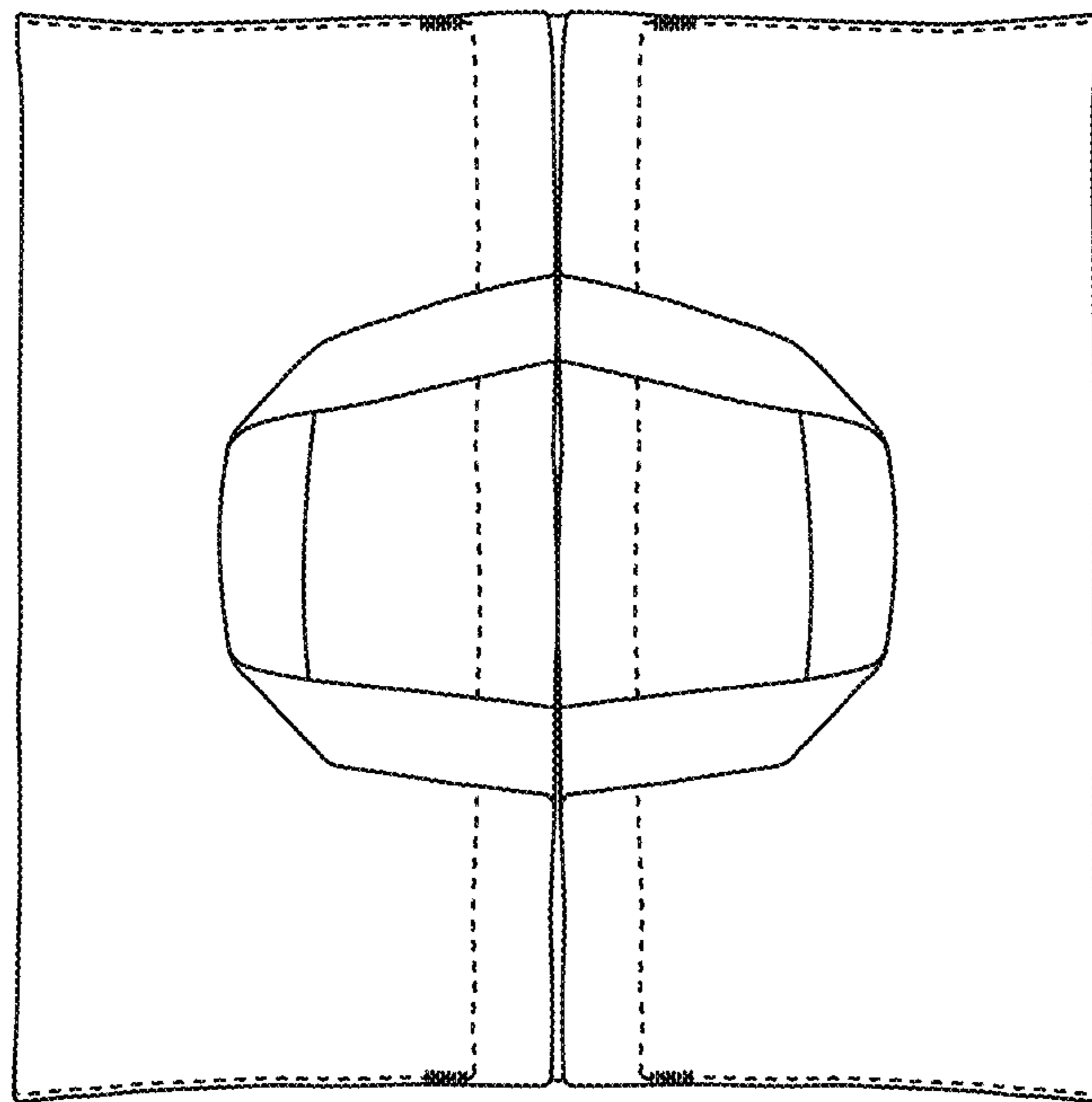


FIG. 2

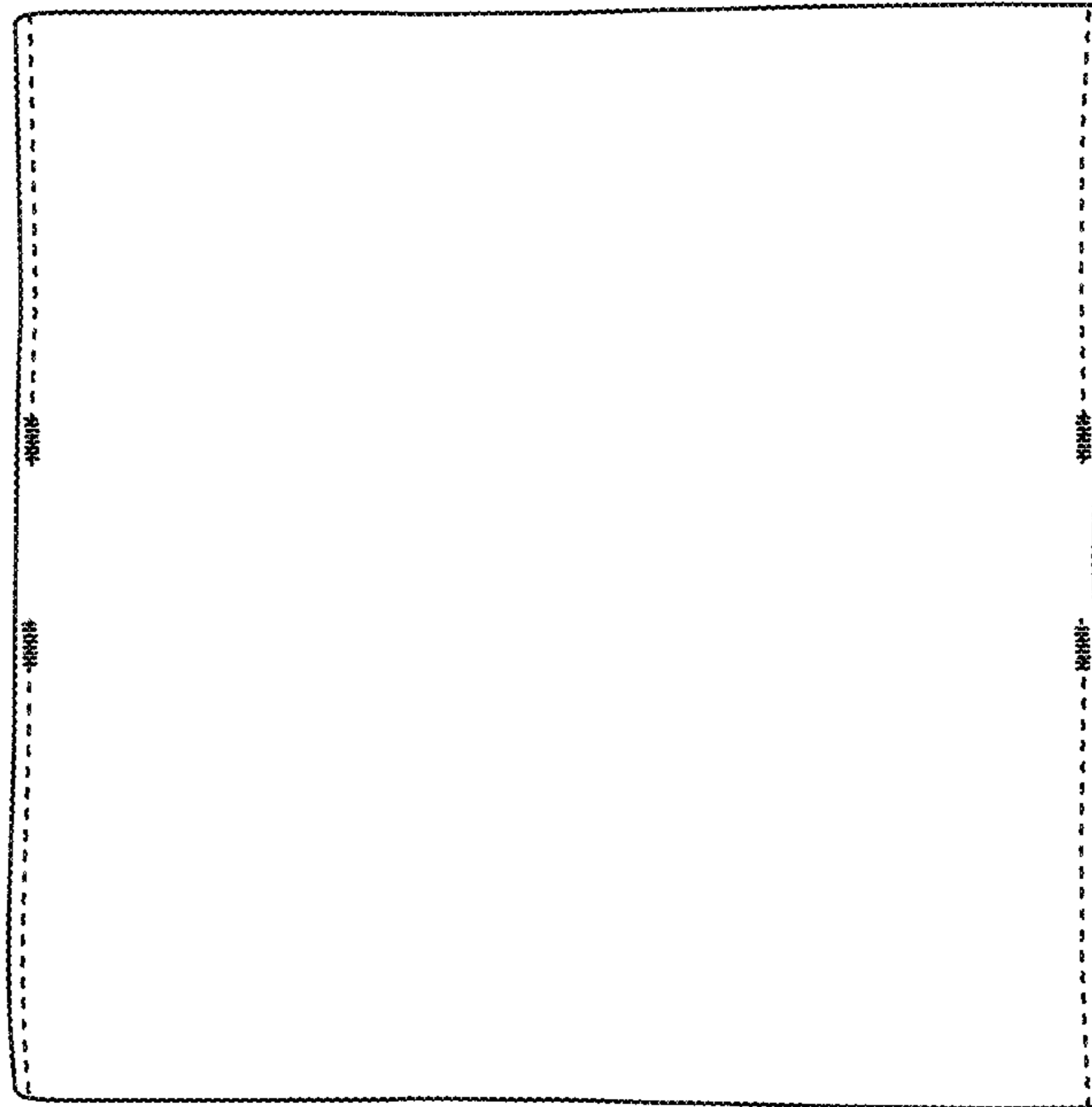


FIG. 3



FIG. 4



FIG. 5

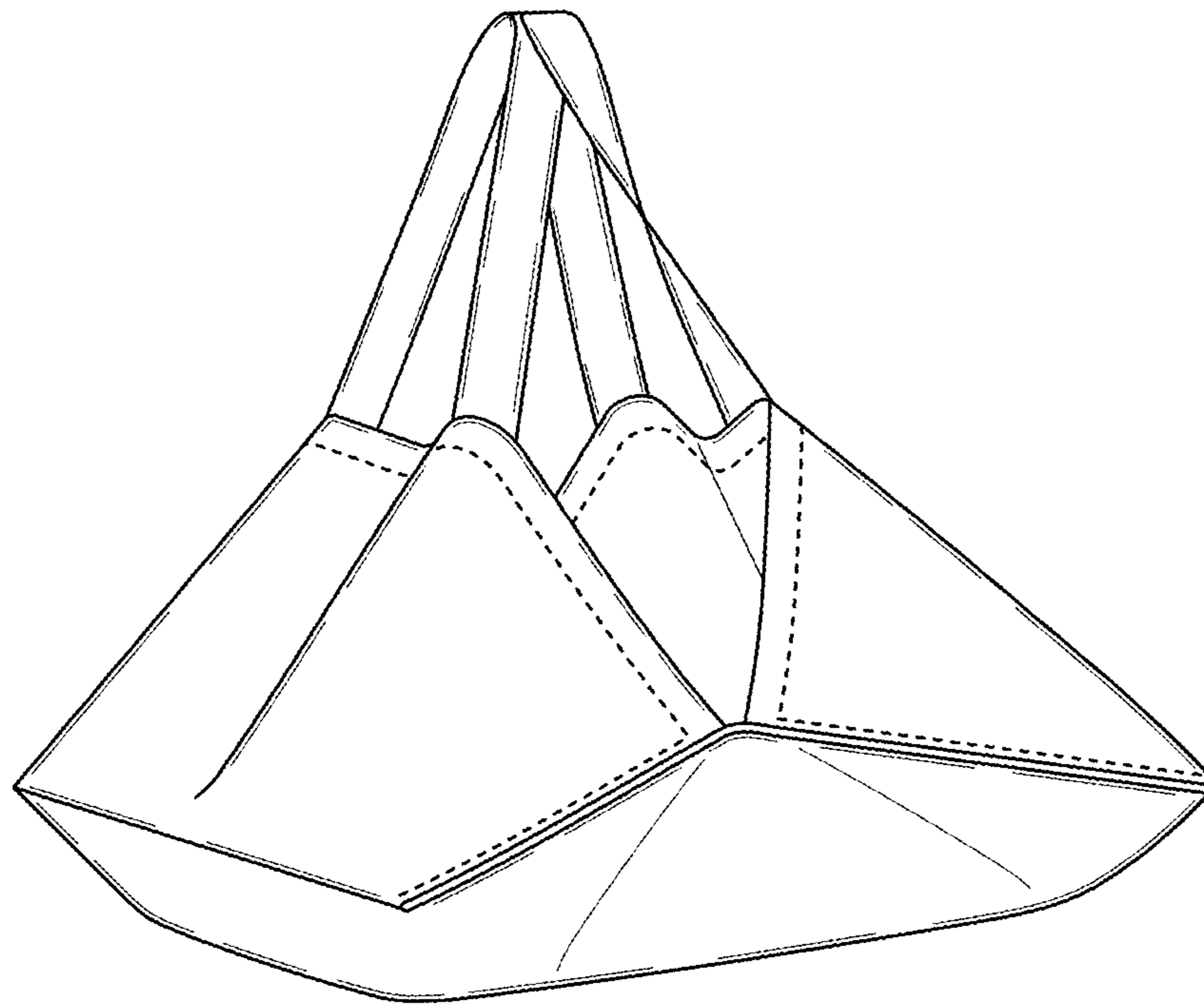


FIG. 6