



US00D768377S

(12) **United States Design Patent** (10) **Patent No.:** **US D768,377 S**
Roberto, Jr. et al. (45) **Date of Patent:** **** Oct. 11, 2016**

(54) **PERSONAL MEDICAL DISPENSER**

(71) Applicants: **George Roberto, Jr.**, Wakefield, MA (US); **G. Timothy Ryan Roberto**, Wakefield, MA (US)

(72) Inventors: **George Roberto, Jr.**, Wakefield, MA (US); **G. Timothy Ryan Roberto**, Wakefield, MA (US)

(**) Term: **14 Years**

(21) Appl. No.: **29/522,094**

(22) Filed: **Mar. 27, 2015**

(51) **LOC (10) Cl.** **03-01**

(52) **U.S. Cl.**
USPC **D3/203.1**

(58) **Field of Classification Search**
USPC D3/201, 203.1, 203.3, 203.6, 251; D24/128, 220; D27/172, 186, 189; D7/679
CPC A24F 15/18; A24F 15/12; B65D 85/109; B65D 85/112; A47J 43/25; A45C 11/24
See application file for complete search history.

(56) **References Cited**

U.S. PATENT DOCUMENTS

795,746 A * 7/1905 Wingfield et al. A24F 15/18 131/311

858,831 A * 7/1907 Sherman et al. A47B 53/02 190/10

1,672,766 A * 6/1928 March A45C 11/24 206/236

D138,373 S * 7/1944 Crane et al. 206/256

D349,792 S * 8/1994 Mulholland D32/35

D351,237 S * 10/1994 Dock D24/229

5,865,314 A * 2/1999 Jacober A61J 1/165 150/117

5,996,783 A * 12/1999 Herchelroth A24F 19/0064 206/245

6,070,591 A * 6/2000 Bryer A24F 13/18 131/233

D577,484 S * 9/2008 Lott D3/203.1

7,422,170 B2 * 9/2008 Bao B02C 18/24 241/168

D593,317 S * 6/2009 Yao D3/203.6

D630,836 S * 1/2011 Powell D3/203.1

D661,082 S * 6/2012 Wingate, III D3/203.3

D662,320 S * 6/2012 De Leo D3/201

D663,112 S * 7/2012 Fulmer Mason D3/203.3

D667,217 S * 9/2012 Buie, II D3/262

D668,076 S * 10/2012 Gokey D6/681.1

8,393,563 B2 * 3/2013 Chaoui B02C 18/08 241/168

D692,177 S * 10/2013 Angiolillo D27/189

D695,512 S * 12/2013 Priebe D3/203.3

D714,595 S * 10/2014 Ducey D7/372

D723,792 S * 3/2015 Anderson D3/201

D723,878 S * 3/2015 Smith D7/372

D724,394 S * 3/2015 Smith D7/372

D734,535 S * 7/2015 Dyer D27/189

2013/0214068 A1 * 8/2013 Camitta B02C 18/16 241/25

* cited by examiner

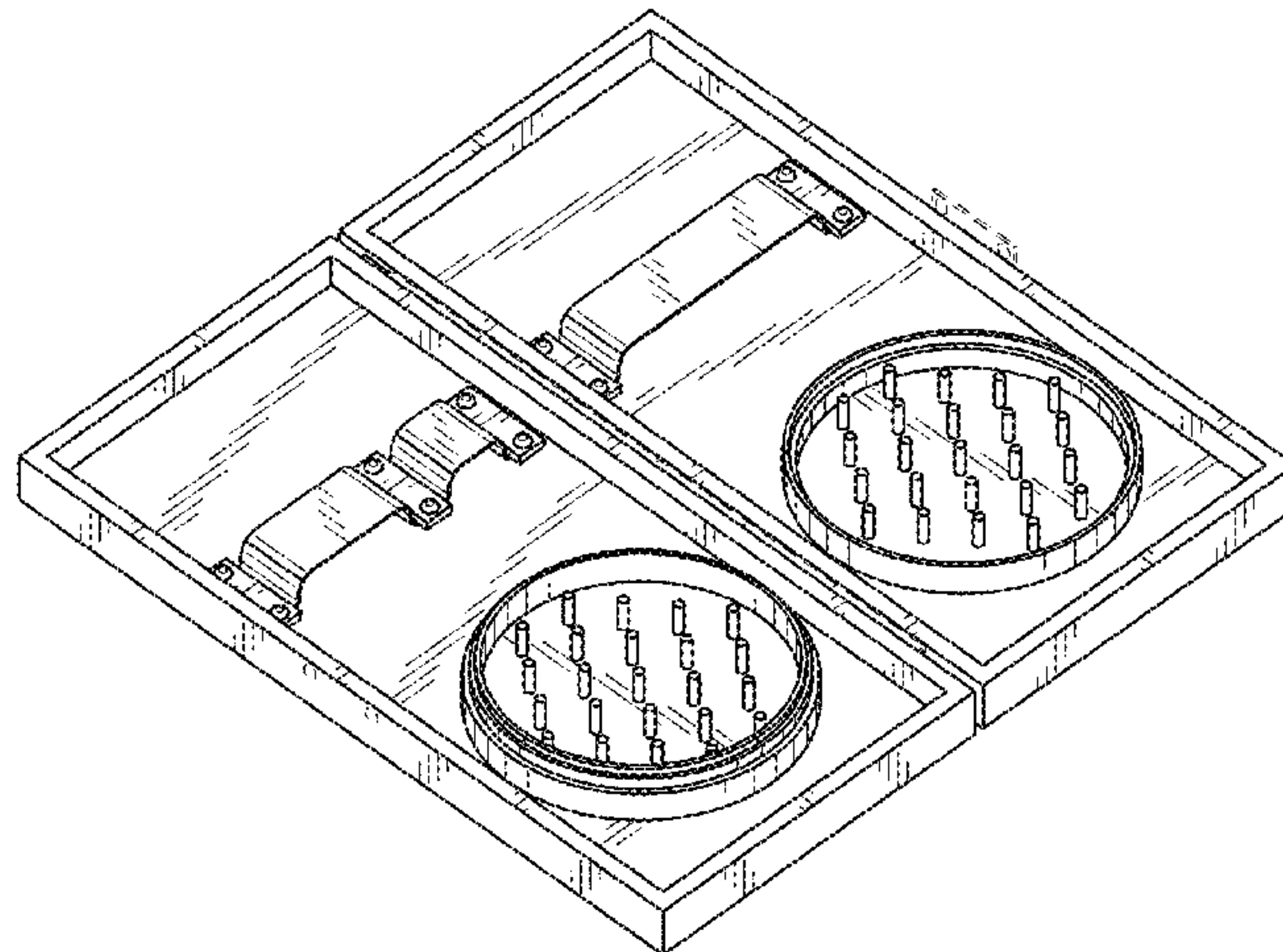
Primary Examiner — John Windmuller
Assistant Examiner — Steven Czyz

(57) **CLAIM**
The ornamental design for a personal medical dispenser, as shown and described.

DESCRIPTION

FIG. 1 is a perspective front view of a personal medical dispenser, shown with the removable tray;
FIG. 2 is a front elevation view shown without the removable tray;
FIG. 3 is a rear elevation view thereof;
FIG. 4 is a left side elevation view thereof;
FIG. 5 is a right side elevation view thereof;
FIG. 6 is a top plan view shown with the removable tray;
FIG. 7 is a bottom plan view thereof;
FIG. 8 is a cross-sectional view shown without the removable tray, taken along line 8-8 of FIG. 6; and,
FIG. 9 is an exploded perspective view thereof.
The broken lines depict portions of the article that form no part of the claimed design.

1 Claim, 4 Drawing Sheets



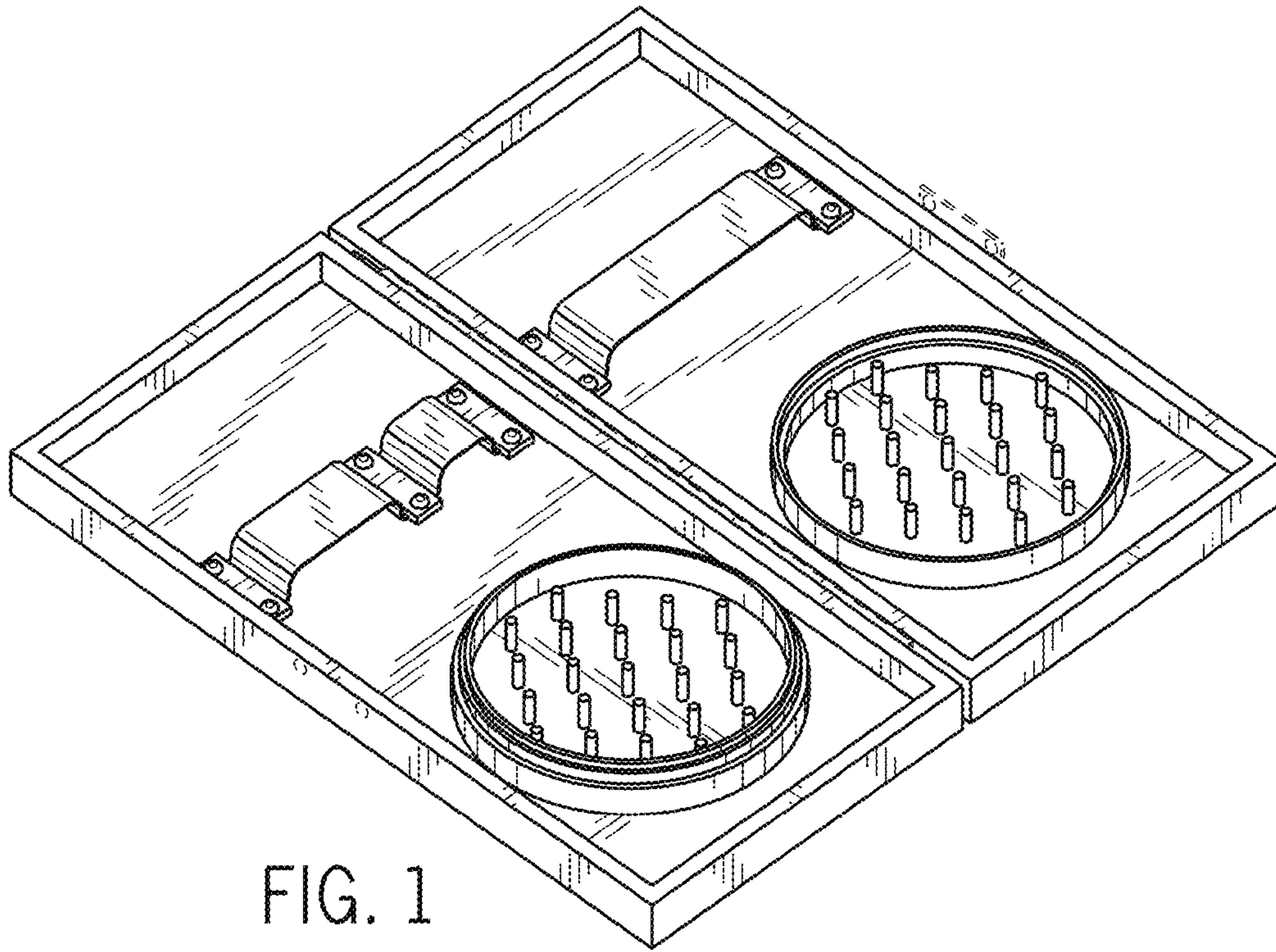


FIG. 1

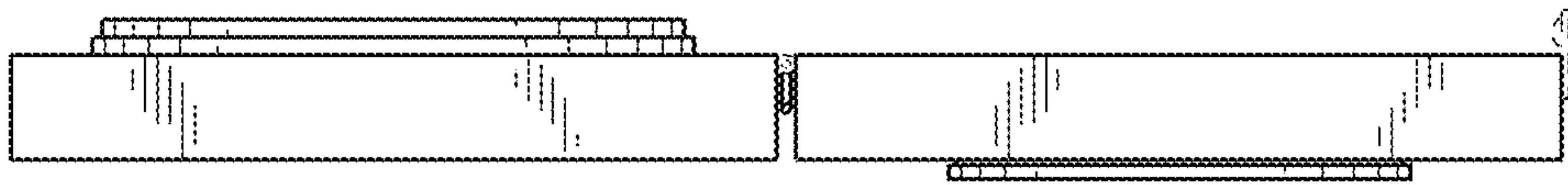


FIG. 2

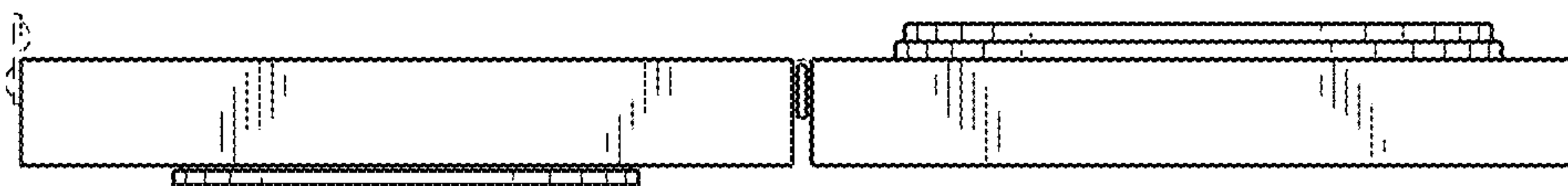


FIG. 3

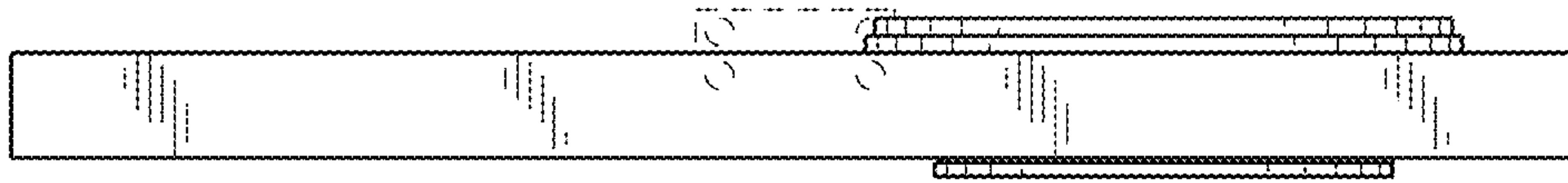


FIG. 4

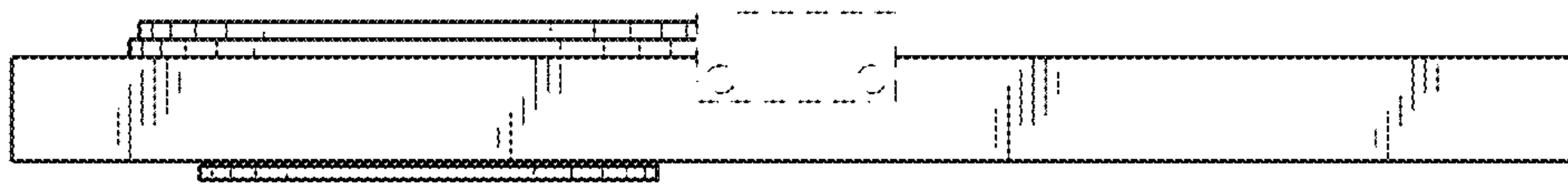


FIG. 5

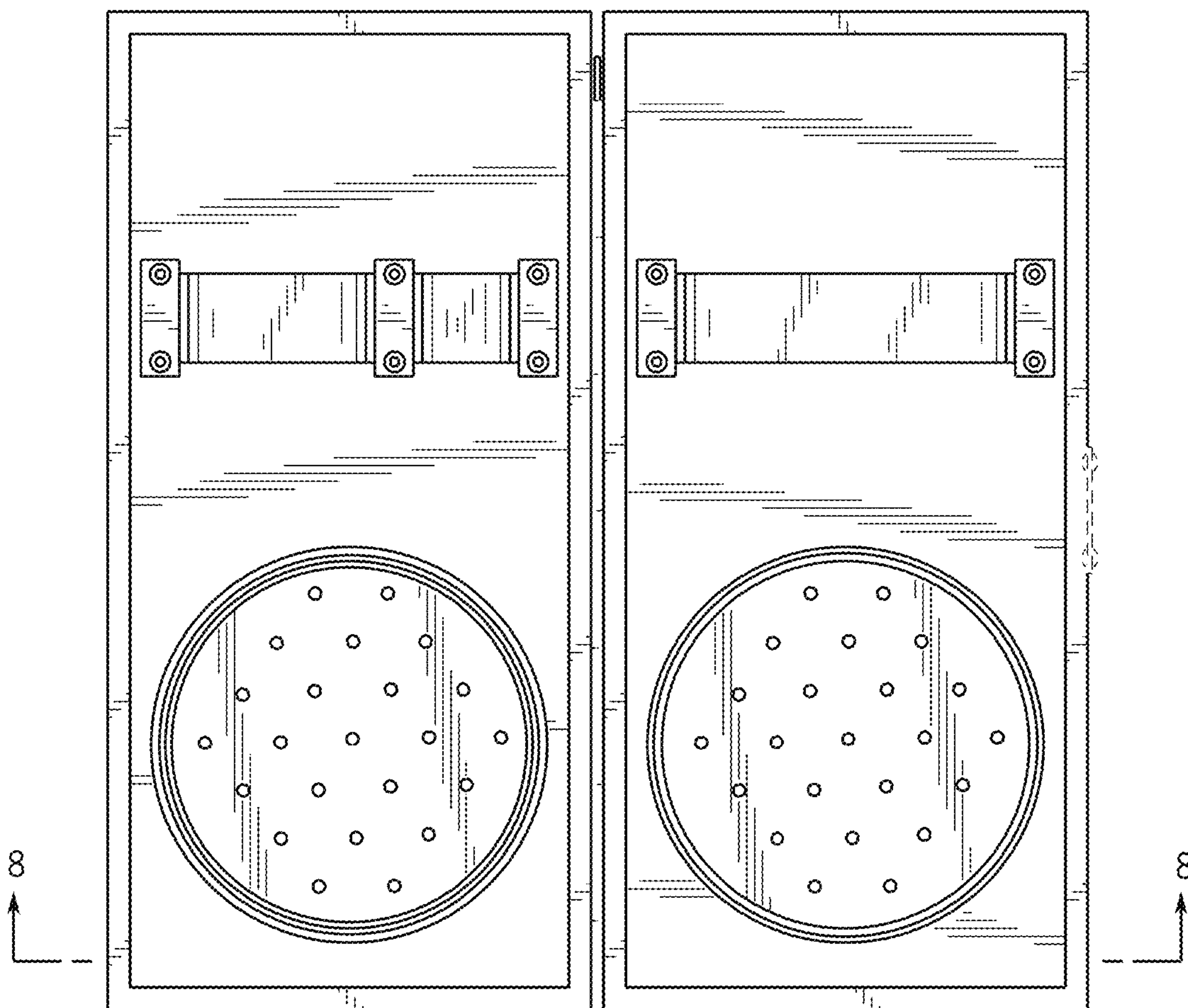


FIG. 6

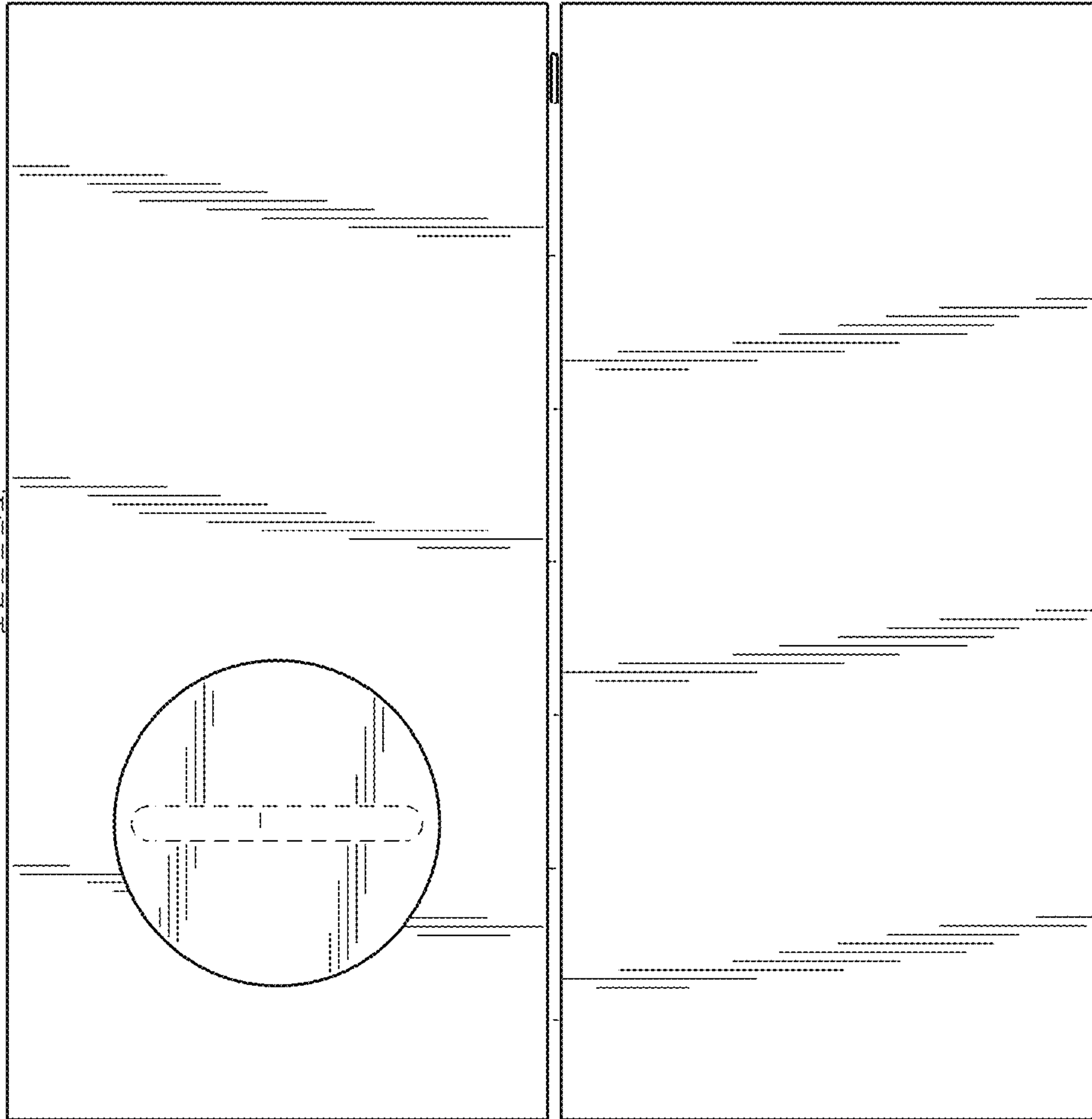


FIG. 7

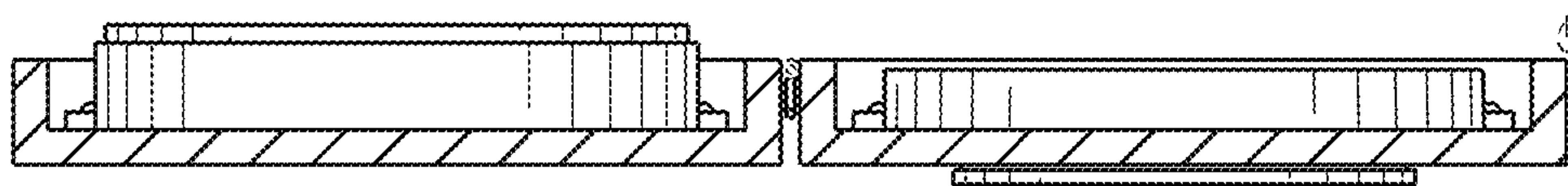


FIG. 8

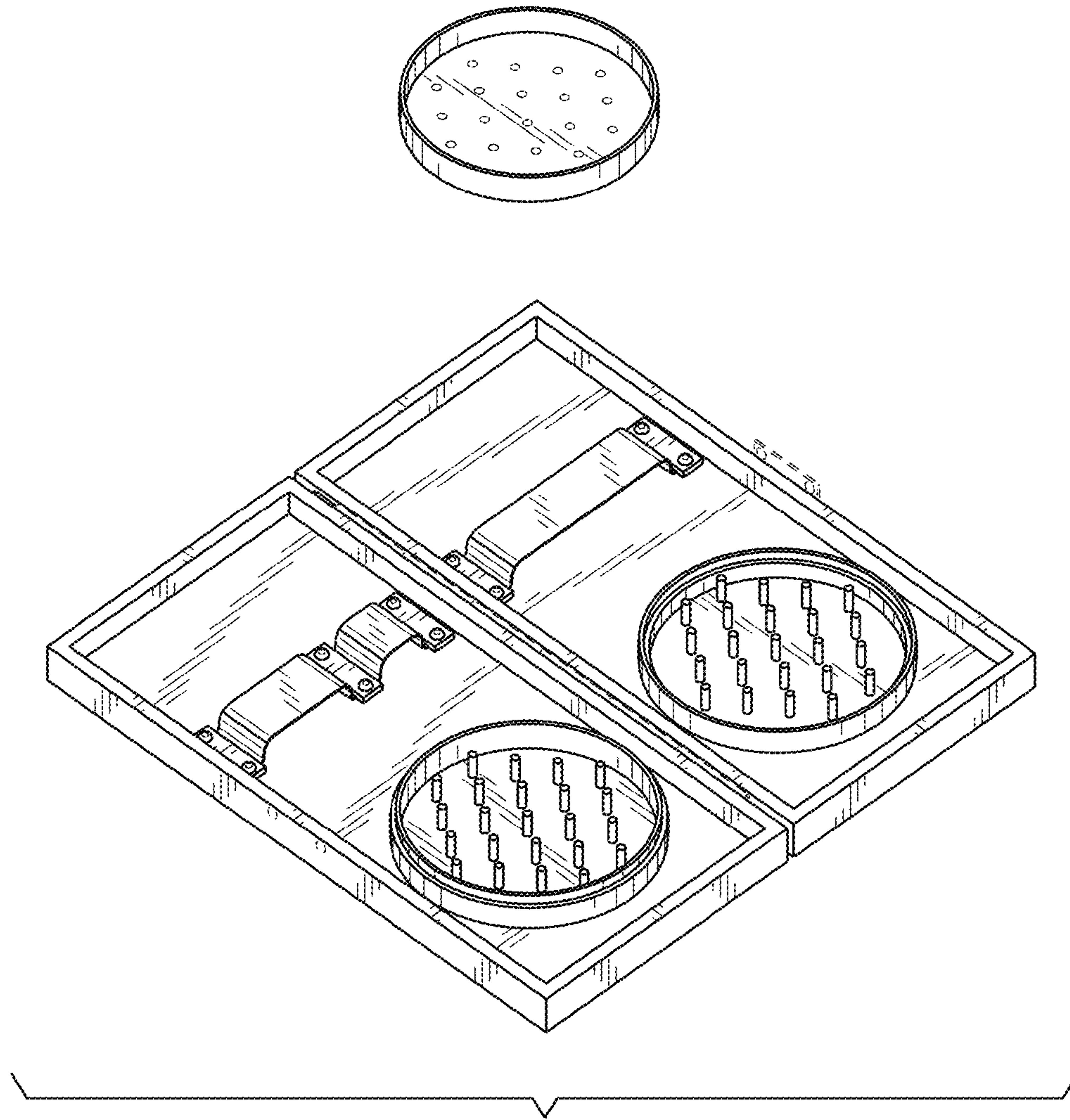


FIG. 9