



US00D768376S

(12) **United States Design Patent**
Martinson

(10) **Patent No.:** **US D768,376 S**

(45) **Date of Patent:** **** Oct. 11, 2016**

- (54) **LACES**
- (71) Applicant: **Nite Ize, Inc.**, Boulder, CO (US)
- (72) Inventor: **Daniel J. Martinson**, Medina, MN (US)
- (73) Assignee: **NITE IZE, INC.**, Boulder, CO (US)
- (**) Term: **14 Years**
- (21) Appl. No.: **29/513,762**
- (22) Filed: **Jan. 5, 2015**
- (51) **LOC (10) Cl.** **02-99**
- (52) **U.S. Cl.**
USPC **D2/978**
- (58) **Field of Classification Search**
USPC D2/946, 978
CPC A43C 9/00; A43C 9/02; A43C 9/04;
A43C 9/06; A43C 9/08
See application file for complete search history.

931,949 A *	8/1909	Morrow	A43C 9/00
				24/712
1,476,348 A *	12/1923	Miller	A43C 9/00
				24/712
1,489,311 A *	4/1924	Decatur	A43C 9/04
				24/715.7
1,804,211 A *	5/1931	Daniels	A43C 9/04
				24/713
2,477,151 A *	7/1949	Stapleton	A43C 9/00
				24/713
3,059,518 A *	10/1962	Nelson	A43C 9/02
				24/715.4
5,920,970 A *	7/1999	Coblentz	A43C 9/00
				2/270
D431,717 S *	10/2000	Chen	D2/978
D495,130 S *	8/2004	Sherman	D2/978
8,272,110 B2 *	9/2012	Valenzuela	A43C 9/04
				24/713.1
D714,044 S *	9/2014	Lee	D2/978
D718,041 S *	11/2014	McAndrew	D2/978
D727,009 S *	4/2015	Aleshka	D2/978

* cited by examiner

Primary Examiner — Dominic Simone
(74) *Attorney, Agent, or Firm* — Robert P. Ziemian;
Haynes and Boone, LLP

(56) **References Cited**
U.S. PATENT DOCUMENTS

38,164 A *	4/1863	Hill	A43C 9/04
				24/715.4
632,699 A *	9/1899	Congdon	A43C 9/02
				147/48
639,998 A *	12/1899	Kempshall	A43C 9/04
				24/715.4
D33,445 S *	10/1900	Hiller	D2/978
D34,356 S *	4/1901	Hiller	D2/978
D35,875 S *	4/1902	Hiller	D2/978
780,377 A *	1/1905	Nicholls	A43C 9/00
				24/713
D38,993 S *	1/1908	Tweedie	D2/978

(57) **CLAIM**
The ornamental design for laces, as shown and described.

DESCRIPTION

FIG. 1 is a first perspective view of the laces;
FIG. 2 is a symmetrical side view of the laces of FIG. 1;
FIG. 3 is a symmetrical front view of the laces of FIG. 1;
FIG. 4 is a symmetrical top view of the laces of FIG. 1; and,
FIG. 5 is a second perspective view of the laces of FIG. 1
showing the laces may be of varying lengths.

1 Claim, 3 Drawing Sheets

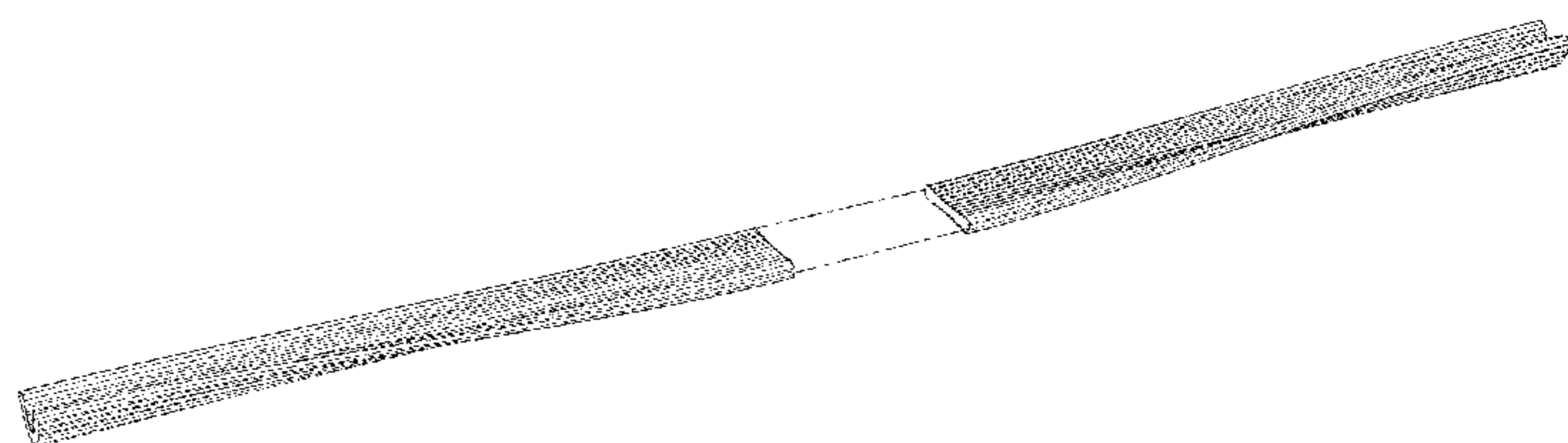
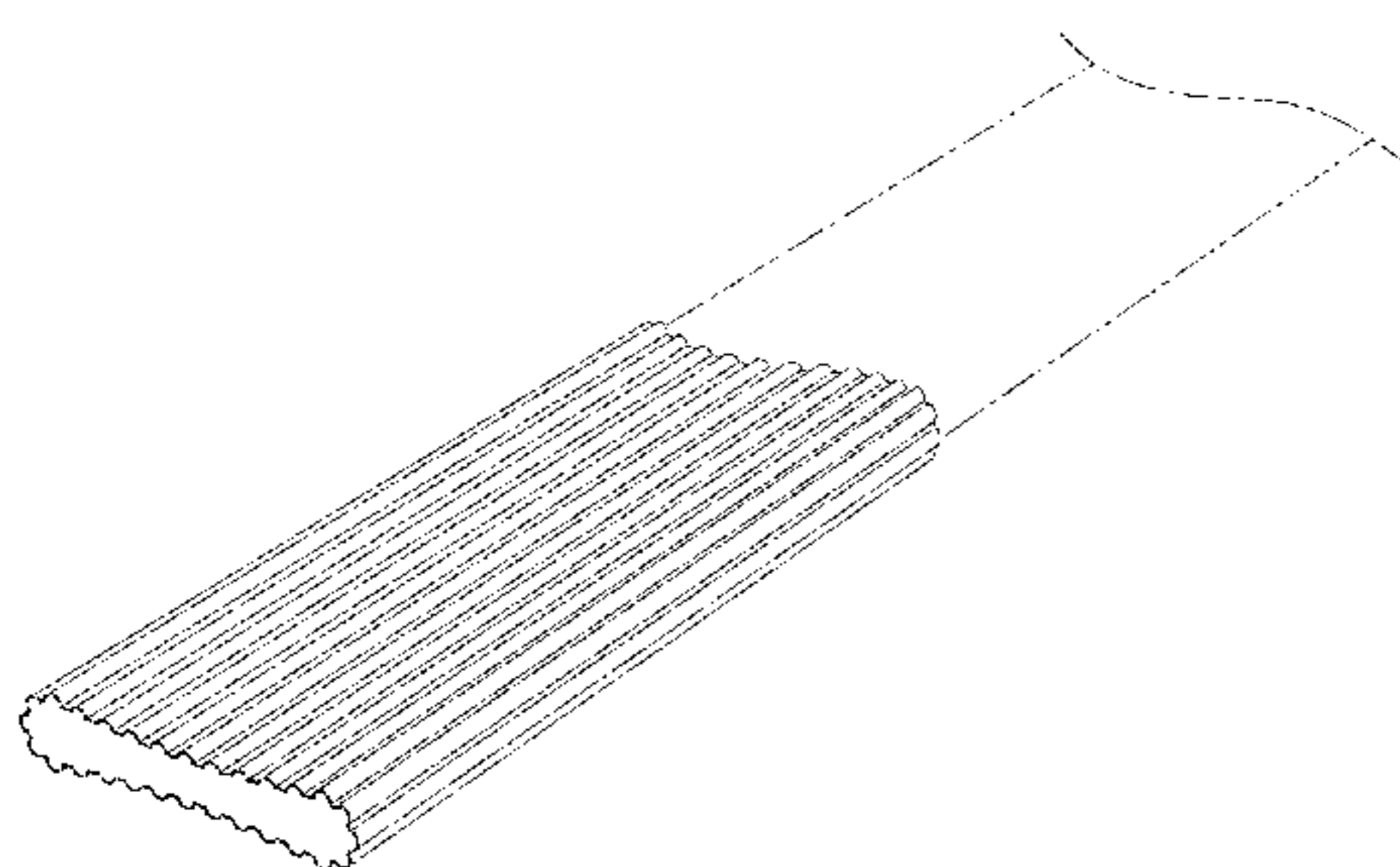


FIG. 1

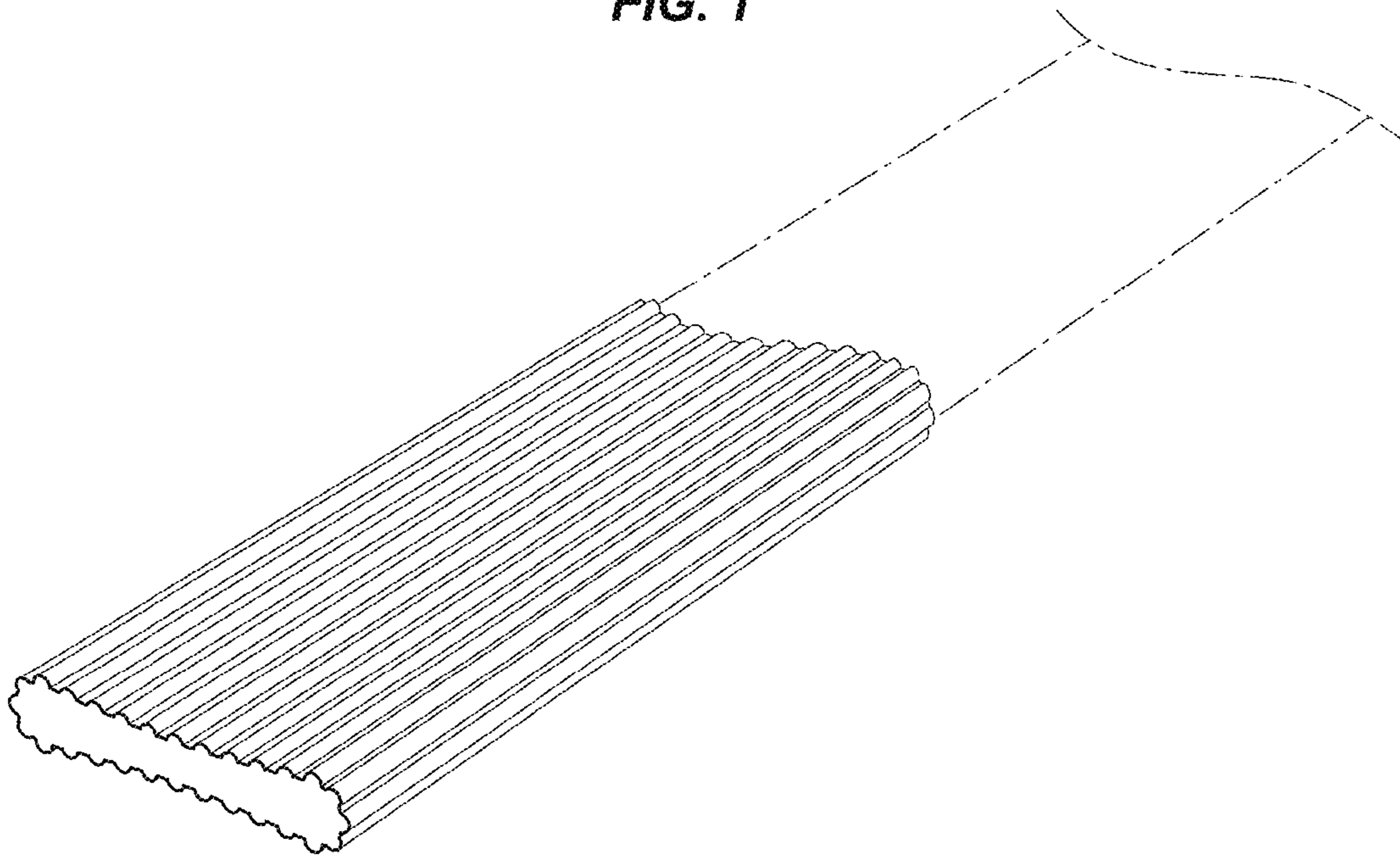


FIG. 2

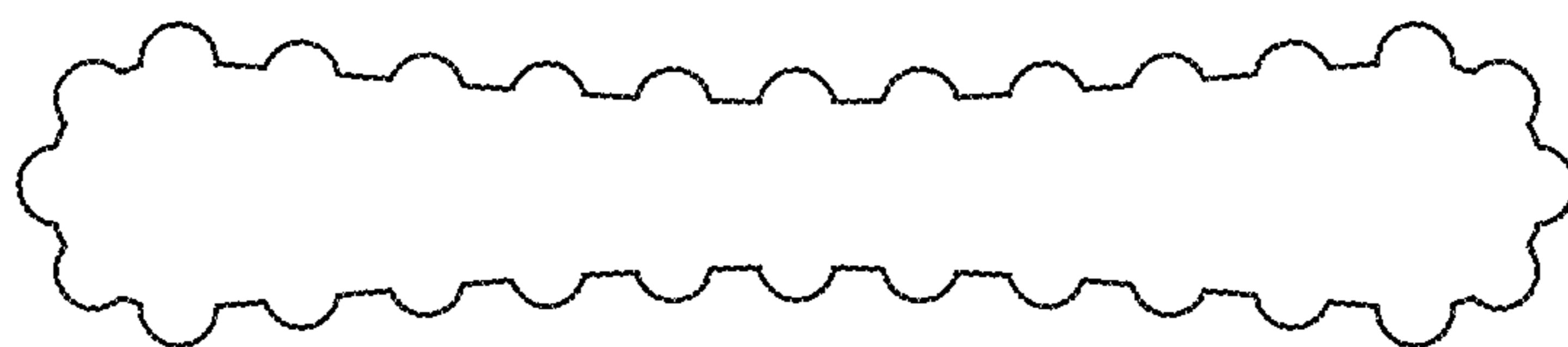


FIG. 3

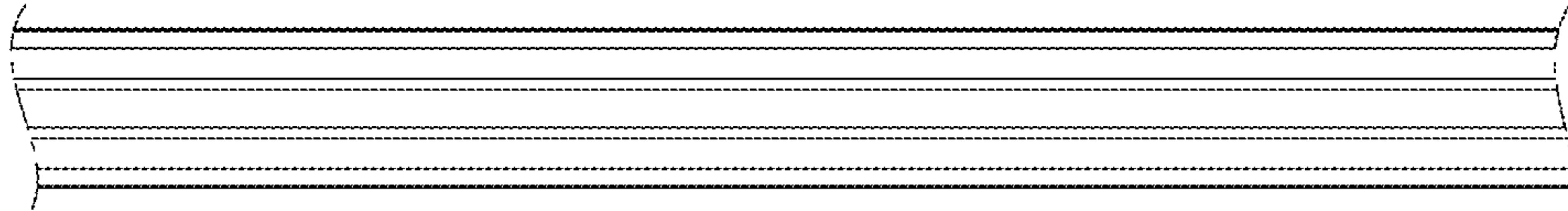
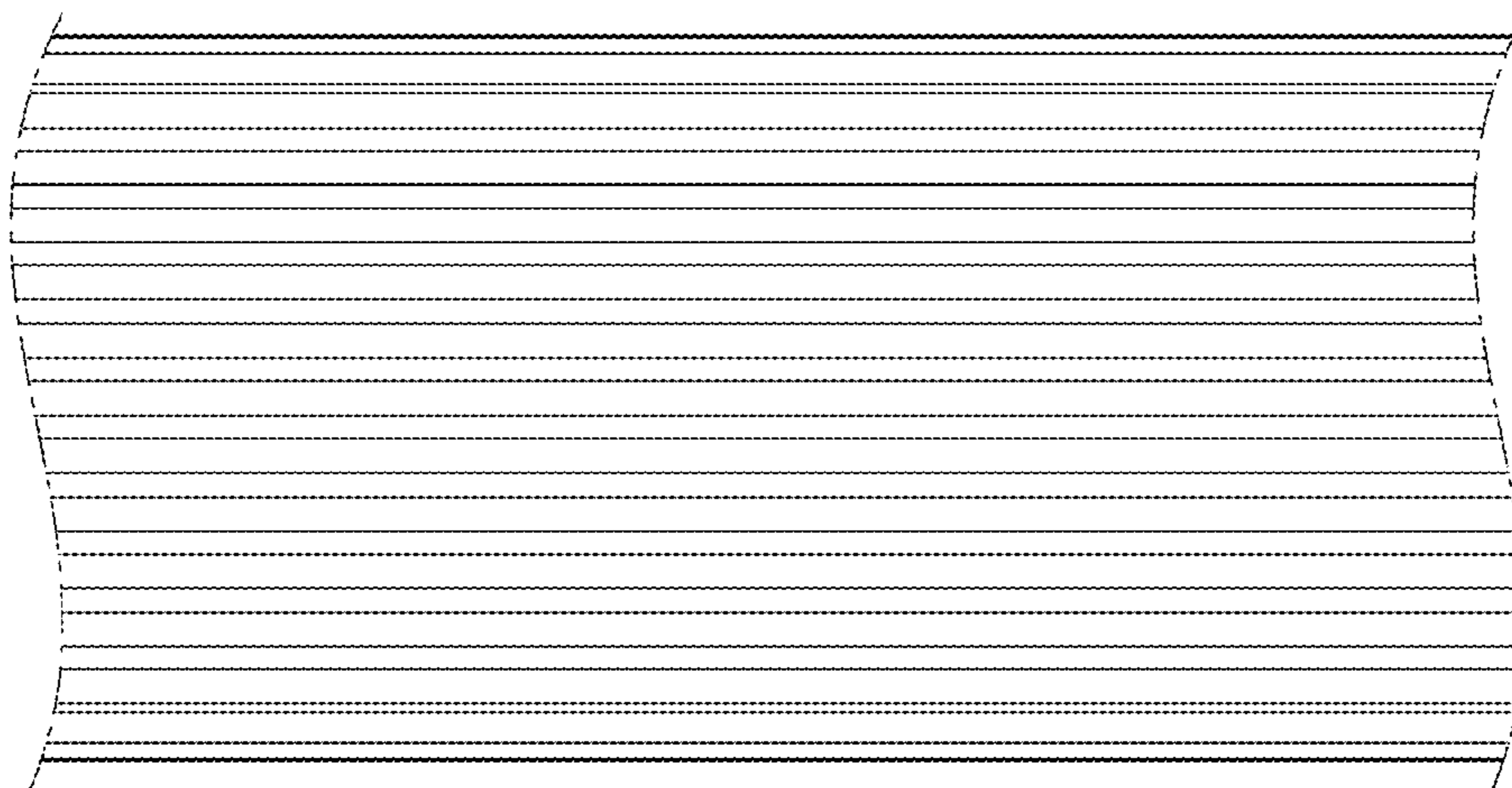


FIG. 4



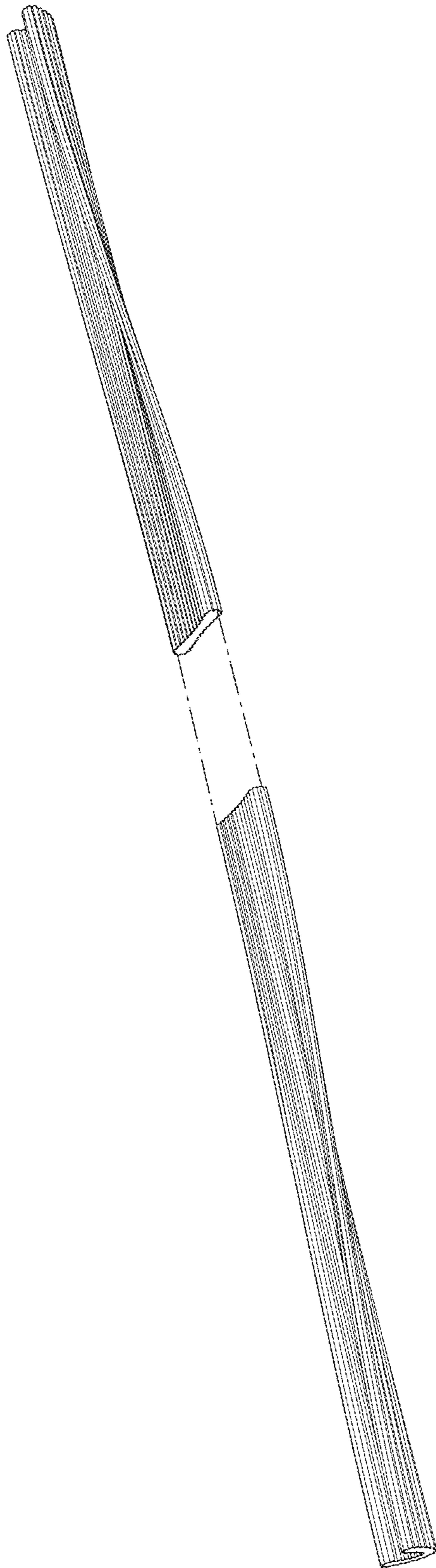


FIG. 5