



US00D768350S

(12) **United States Design Patent** (10) **Patent No.:** **US D768,350 S**
Gonzalez (45) **Date of Patent:** **** Oct. 4, 2016**

(54) **CASH STORING APPARATUS**
(71) Applicant: **Carlos Andres Gonzalez**, Miami, FL (US)
(72) Inventor: **Carlos Andres Gonzalez**, Miami, FL (US)
(**) Term: **15 Years**
(21) Appl. No.: **29/541,542**
(22) Filed: **Oct. 5, 2015**
(51) **LOC (10) Cl.** **99-00**
(52) **U.S. Cl.**
USPC **D99/34**
(58) **Field of Classification Search**
USPC D99/28, 34, 35, 36, 43, 99; D18/3.1, D18/3.3, 12, 12.1, 46, 47, 49; D14/900, D14/901, 902; D20/1, 2, 4, 5, 6, 8, 9
CPC G07F 9/06; G07F 9/04; G07F 9/08; G07F 11/00; G07F 11/002; G07F 19/00; G07F 1/00; G07F 1/02; G07F 1/04; G07F 3/00; G07F 3/04; G07F 7/00; G07F 7/005; G07F 7/04; G07F 11/62; A47F 1/08; G07D 1/00; G07D 1/02; G07D 1/04; G07D 1/06; G07D 1/08; G07D 3/00; G07D 3/02; G07D 3/12; G07D 3/14; G07D 3/16; G07D 9/00; G07D 9/002; G07D 9/004; G07D 9/006; G07D 9/008; G07D 9/02; G07D 9/04; G07D 11/00; G07D 11/0021; G07D 11/0087; G07D 11/009; G07D 11/0093; G07D 13/00; G07D 2201/00
See application file for complete search history.

(56) **References Cited**
U.S. PATENT DOCUMENTS
D96,304 S * 7/1935 Farber D99/35
D103,605 S * 3/1937 Zell D99/35
D200,038 S * 1/1965 Wilmer D3/249
D279,577 S * 7/1985 Kajita D18/3.3

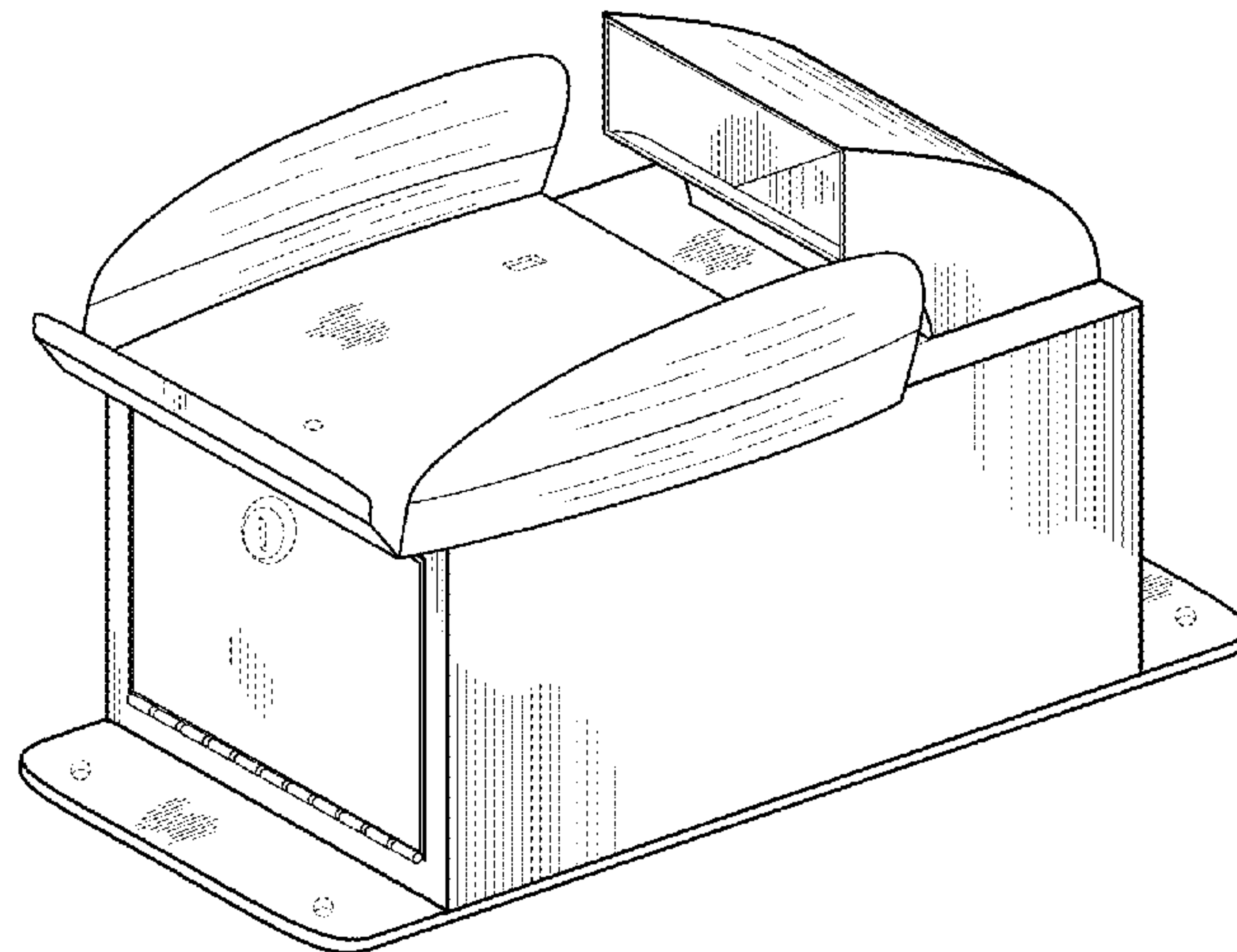
D281,368 S * 11/1985 Catelli D99/35
D282,307 S * 1/1986 Nishida D18/3.3
D285,858 S * 9/1986 Ooki D99/28
D335,149 S * 4/1993 Dabrowski D20/1
D343,717 S * 1/1994 Nakajima D99/34
D371,887 S * 7/1996 Minagawa D99/28
D448,040 S * 9/2001 Forslund D18/3.1
D477,902 S * 7/2003 Bergeron D18/3.3
D483,057 S * 12/2003 Bergeron D18/3.3
D523,468 S * 6/2006 Umeda D18/3.1
D540,391 S * 4/2007 Irie D20/9
D574,125 S * 7/2008 Gunst D99/28
D663,765 S * 7/2012 Bleck D18/3.3
D669,525 S * 10/2012 Bleck D18/3.3
D671,164 S * 11/2012 Bleck D18/3.3
D719,315 S * 12/2014 Berger D99/28
D724,813 S * 3/2015 Umeda D99/34
D725,865 S * 3/2015 Cho D99/28
2006/0175176 A1 * 8/2006 Blake G07D 9/00
194/216
2007/0051582 A1 * 3/2007 Bochonok G07D 1/02
194/202

* cited by examiner
Primary Examiner — Elizabeth J Oswecki
(74) *Attorney, Agent, or Firm* — Albert Bordas, P.A.

(57) **CLAIM**
The ornamental design for a cash storing apparatus, as shown and described.

DESCRIPTION
FIG. 1 is a top plan view of a cash storing apparatus showing my new design;
FIG. 2 is a front elevational view thereof;
FIG. 3 is a rear elevational view thereof;
FIG. 4 is a bottom plan view thereof;
FIG. 5 is a left side elevational view thereof, the right side elevational view being a mirror image thereof; and,
FIG. 6 is an isometric view thereof.
The broken lines are for environmental purposes only and form no part of the claimed design.

1 Claim, 4 Drawing Sheets



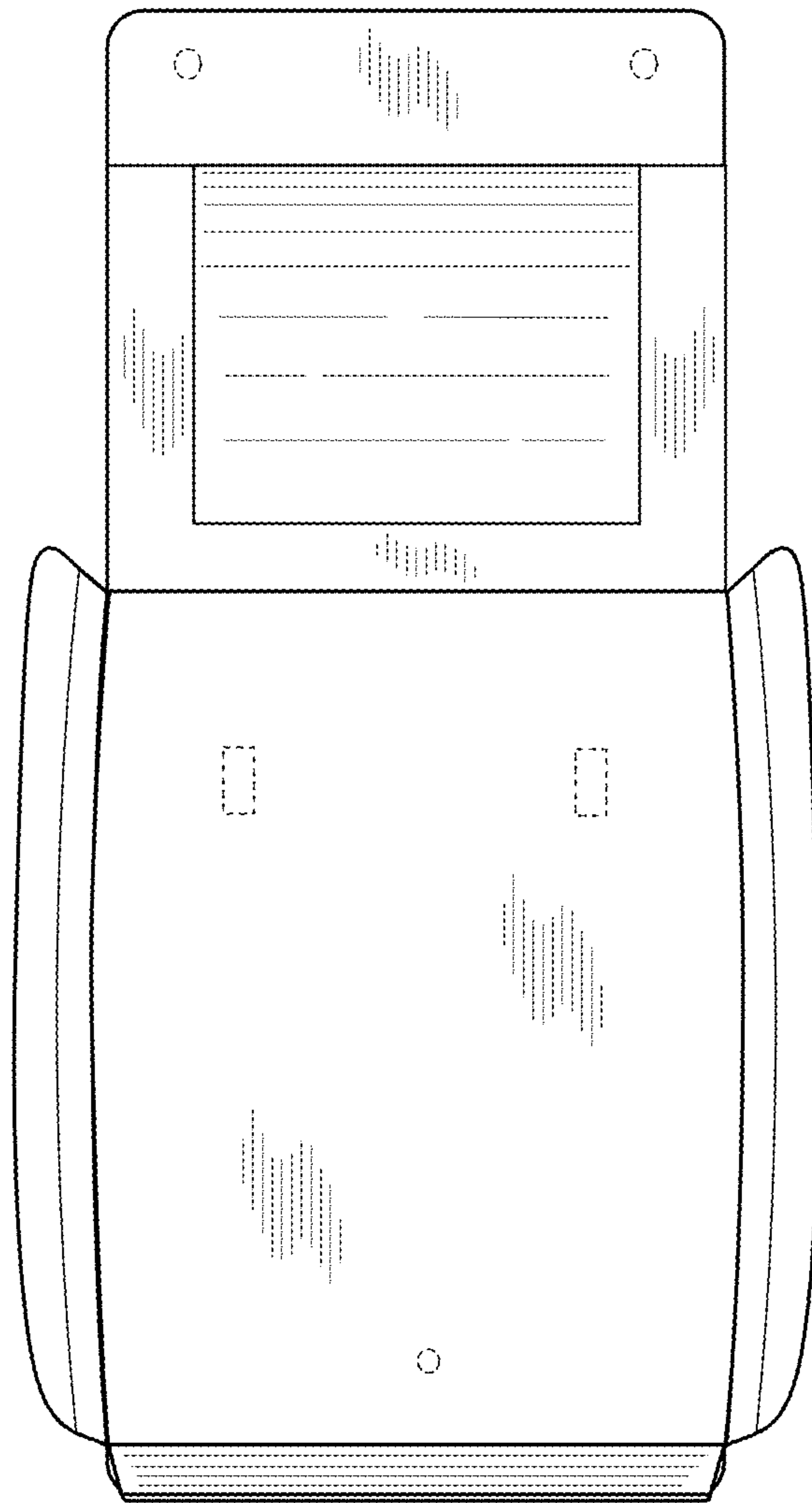


Fig. 1

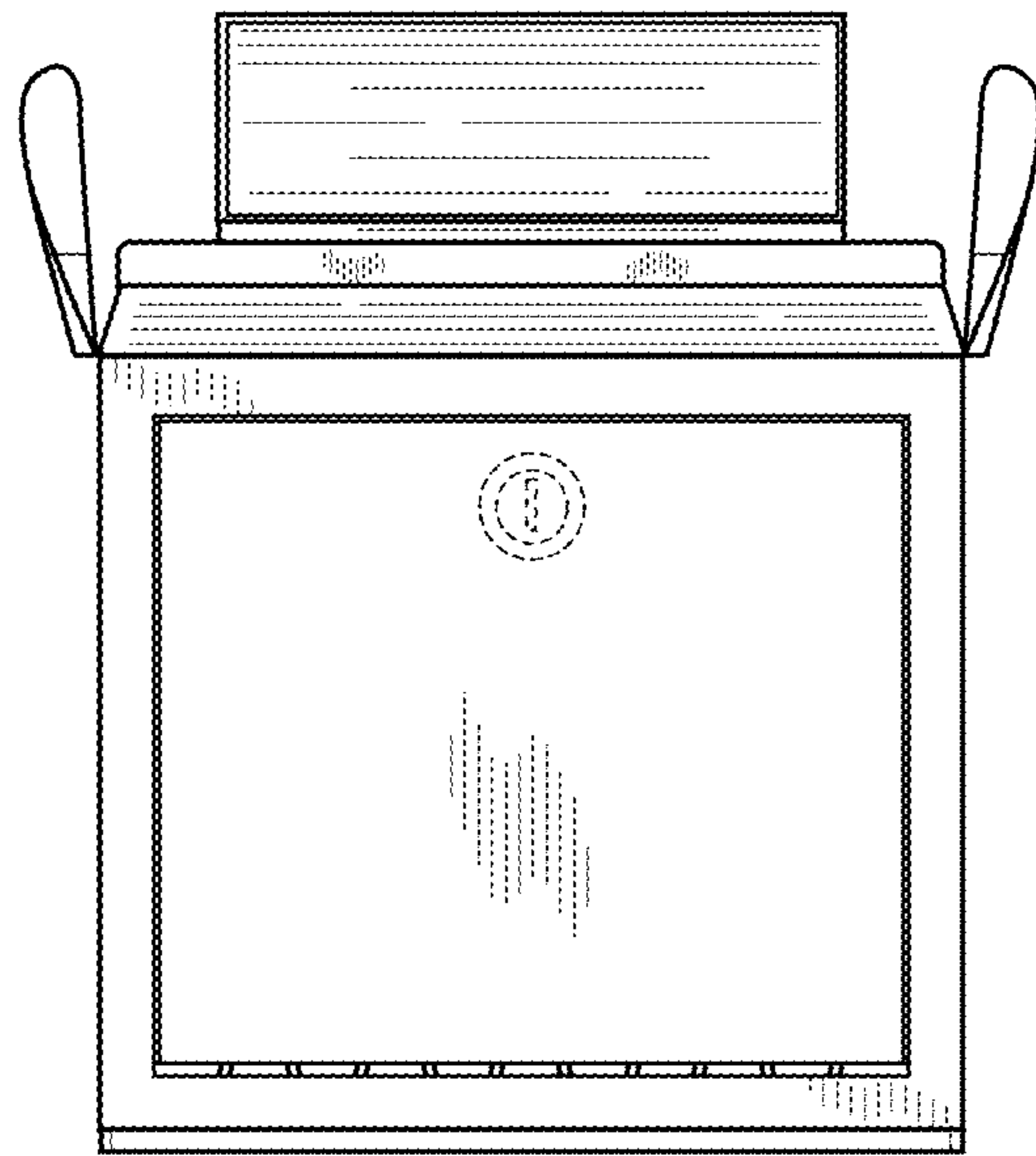


Fig. 2

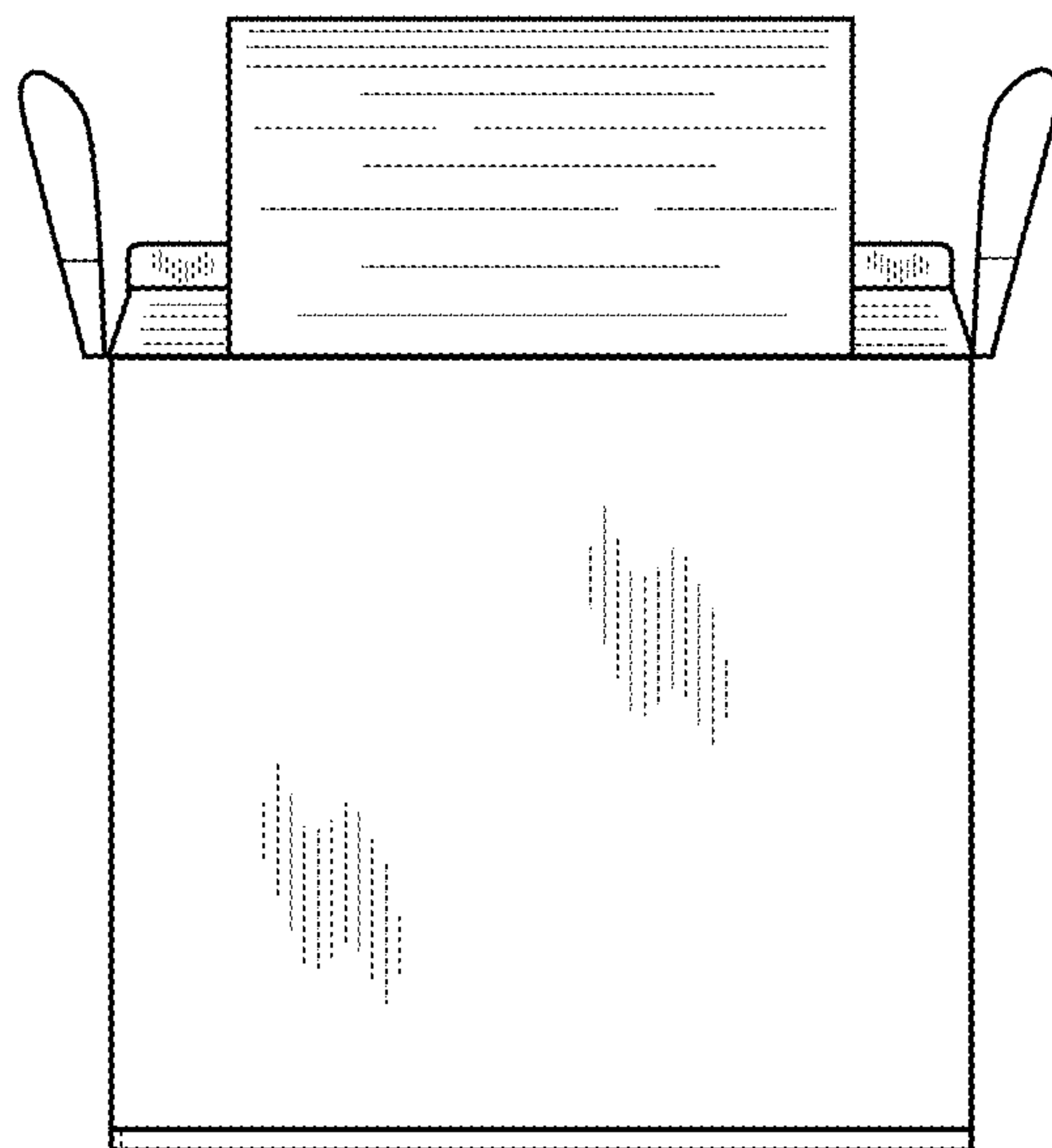


Fig. 3

Fig. 4

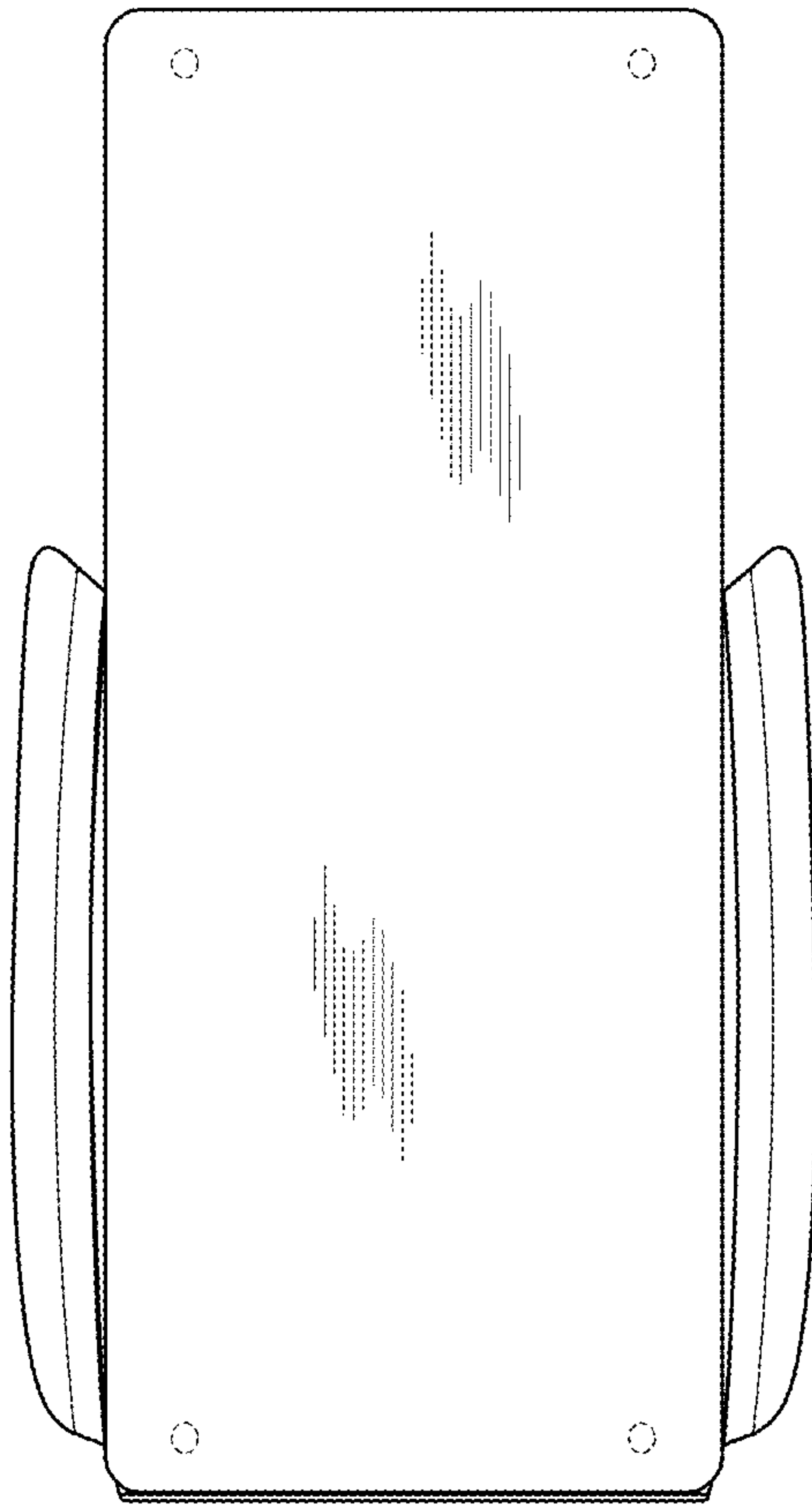
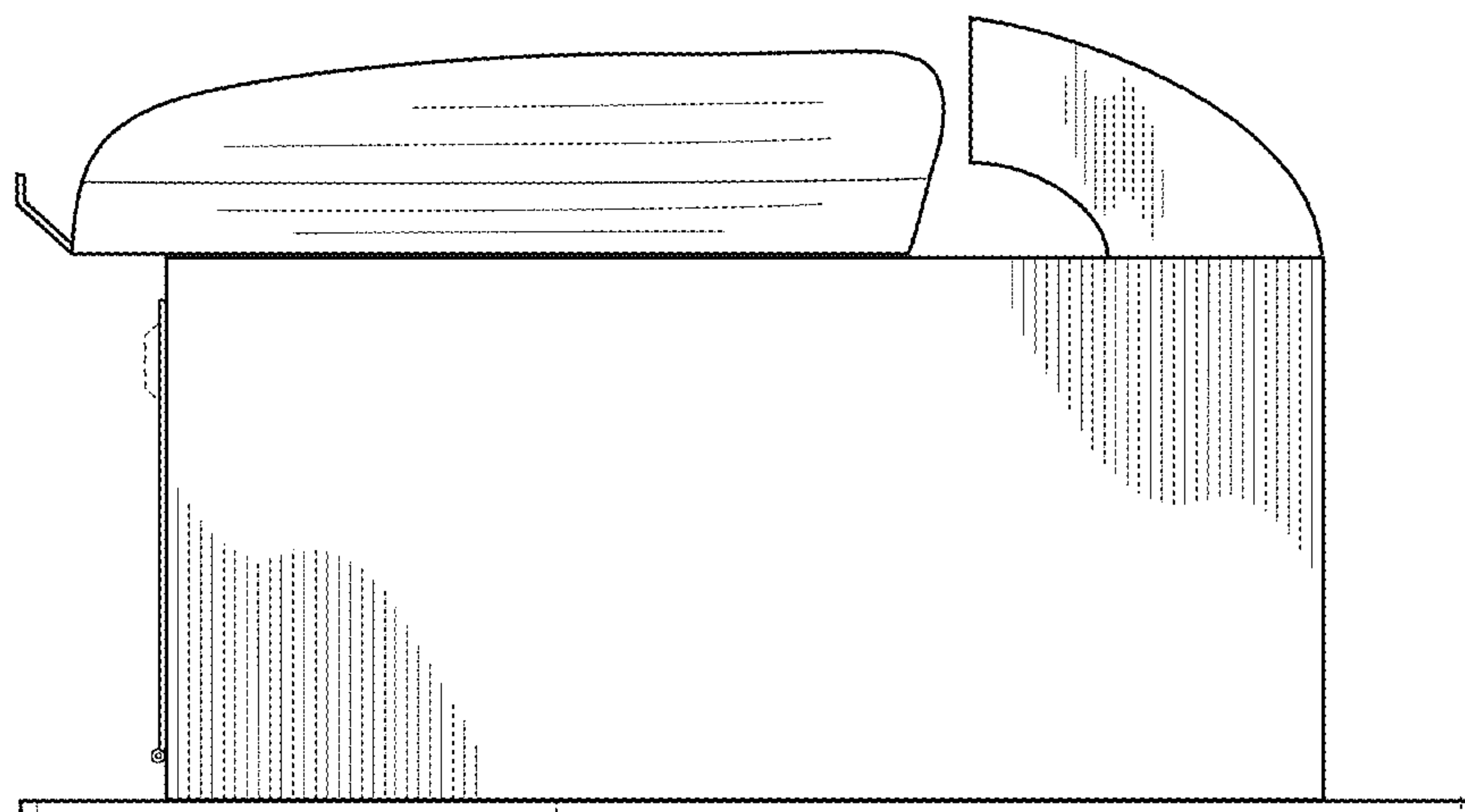


Fig. 5



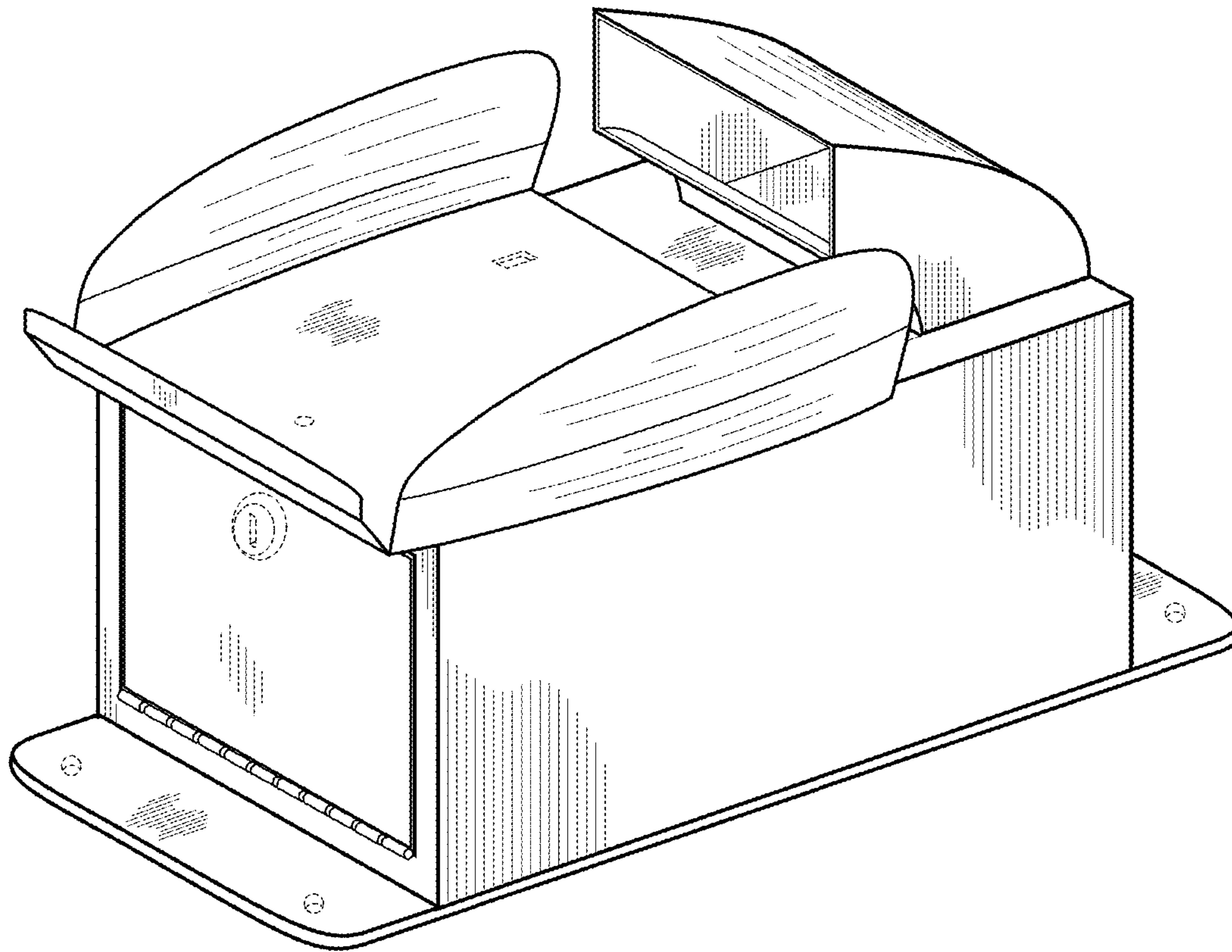


Fig. 6