



US00D768349S

(12) **United States Design Patent** (10) **Patent No.:** **US D768,349 S**
Macfarlane (45) **Date of Patent:** **** Oct. 4, 2016**

(54) **SPITTOON FUNNEL FOR A CAN**
(71) Applicant: **Curtice Macfarlane**, Denair, CA (US)
(72) Inventor: **Curtice Macfarlane**, Denair, CA (US)
(**) Term: **15 Years**
(21) Appl. No.: **29/534,381**
(22) Filed: **Jul. 28, 2015**
(51) **LOC (10) Cl.** **09-09**
(52) **U.S. Cl.**
USPC **D34/2**
(58) **Field of Classification Search**
USPC D34/2, 10; 4/258; 433/97, 92; 141/344;
D7/700; 222/570
CPC A61C 17/14; A61J 19/00
See application file for complete search history.

6,901,976 B1 6/2005 Bautista et al.
7,066,322 B2 6/2006 Wilson
D649,239 S * 11/2011 Taravella D24/122
D730,607 S 5/2015 Compton
D731,730 S 6/2015 Wattenbarger
D731,731 S 6/2015 Wattenbarger
2015/0072305 A1 * 3/2015 Nakajima A61C 17/04
433/92

* cited by examiner

Primary Examiner — Cynthia Ramirez
Assistant Examiner — Gino Colan
(74) *Attorney, Agent, or Firm* — Kirk A. Buhler; Buhler
& Associates

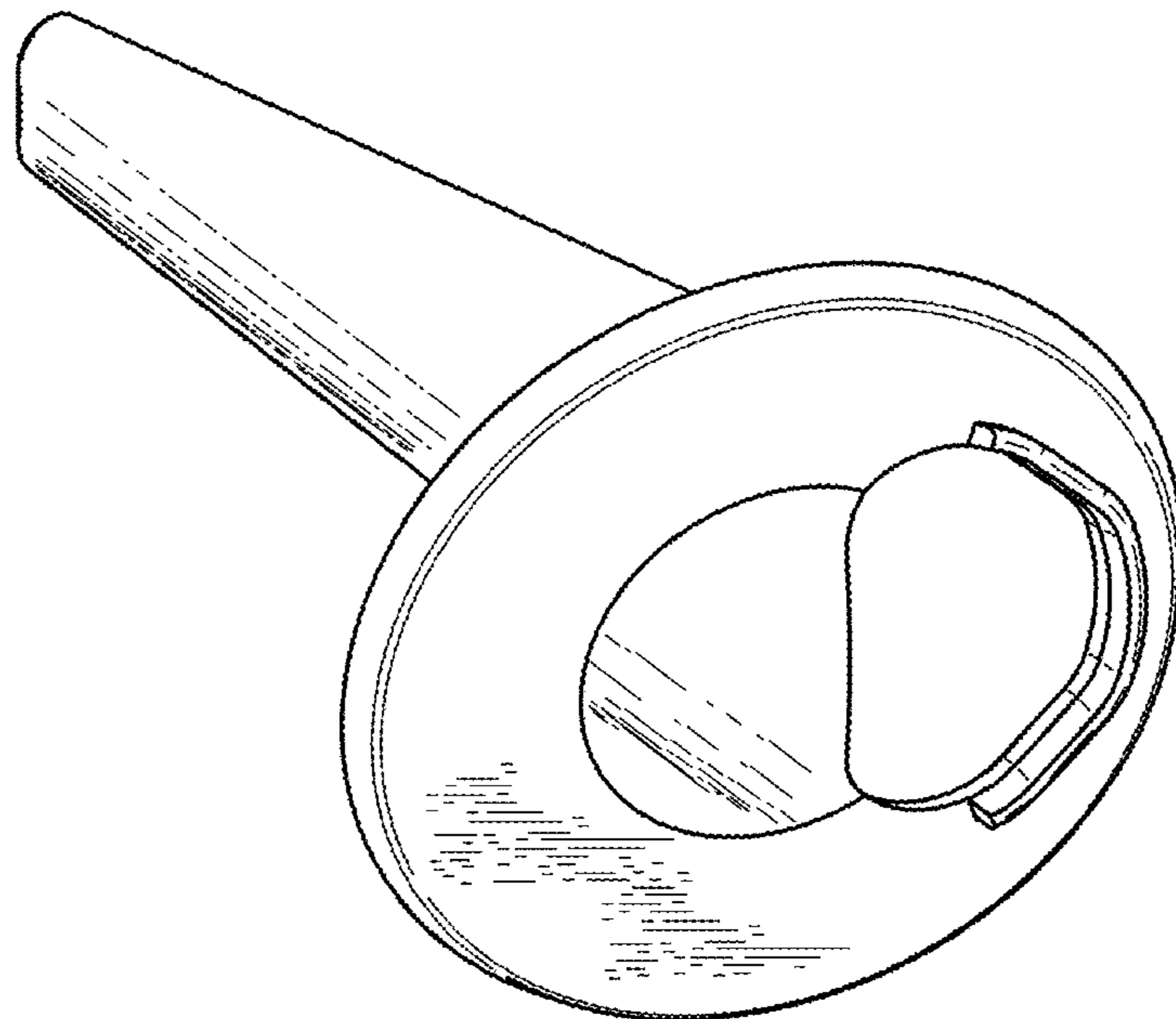
(57) **CLAIM**
The ornamental design for a spittoon funnel for a can, as shown and described.

DESCRIPTION

FIG. 1 is a top perspective view for a spittoon funnel for a can showing my new design;
FIG. 2 is a front side view thereof;
FIG. 3 is a back side view thereof;
FIG. 4 is a bottom plan view thereof;
FIG. 5 is a top plan view thereof;
FIG. 6 is a left side view, the right side view being a mirror image thereof;
FIG. 7 is a bottom perspective view thereof, and,
FIG. 8 is a cross sectional view taken along lines 8-8 from FIG. 4 in an environment of use.
The broken lines in FIG. 8 depict environmental subject matter of a can and forms no part of the claimed design.

1 Claim, 5 Drawing Sheets

(56) **References Cited**
U.S. PATENT DOCUMENTS
D30,744 S 5/1899 Browne
D32,005 S 12/1899 Weber
3,798,682 A 3/1974 Harreld
3,987,943 A * 10/1976 Richmond, Jr. B65D 25/48
141/332
4,883,192 A 11/1989 Krugman
5,140,711 A 8/1992 Johnson
D333,369 S * 2/1993 Breen D34/1
5,213,239 A 5/1993 Macaluso
5,325,546 A 7/1994 Setliff
D358,917 S 5/1995 Keys
5,647,415 A 7/1997 Onders et al.
D420,776 S * 2/2000 Lynch D34/2
6,665,887 B2 12/2003 Nguyen
D498,992 S * 11/2004 Bloom D7/700



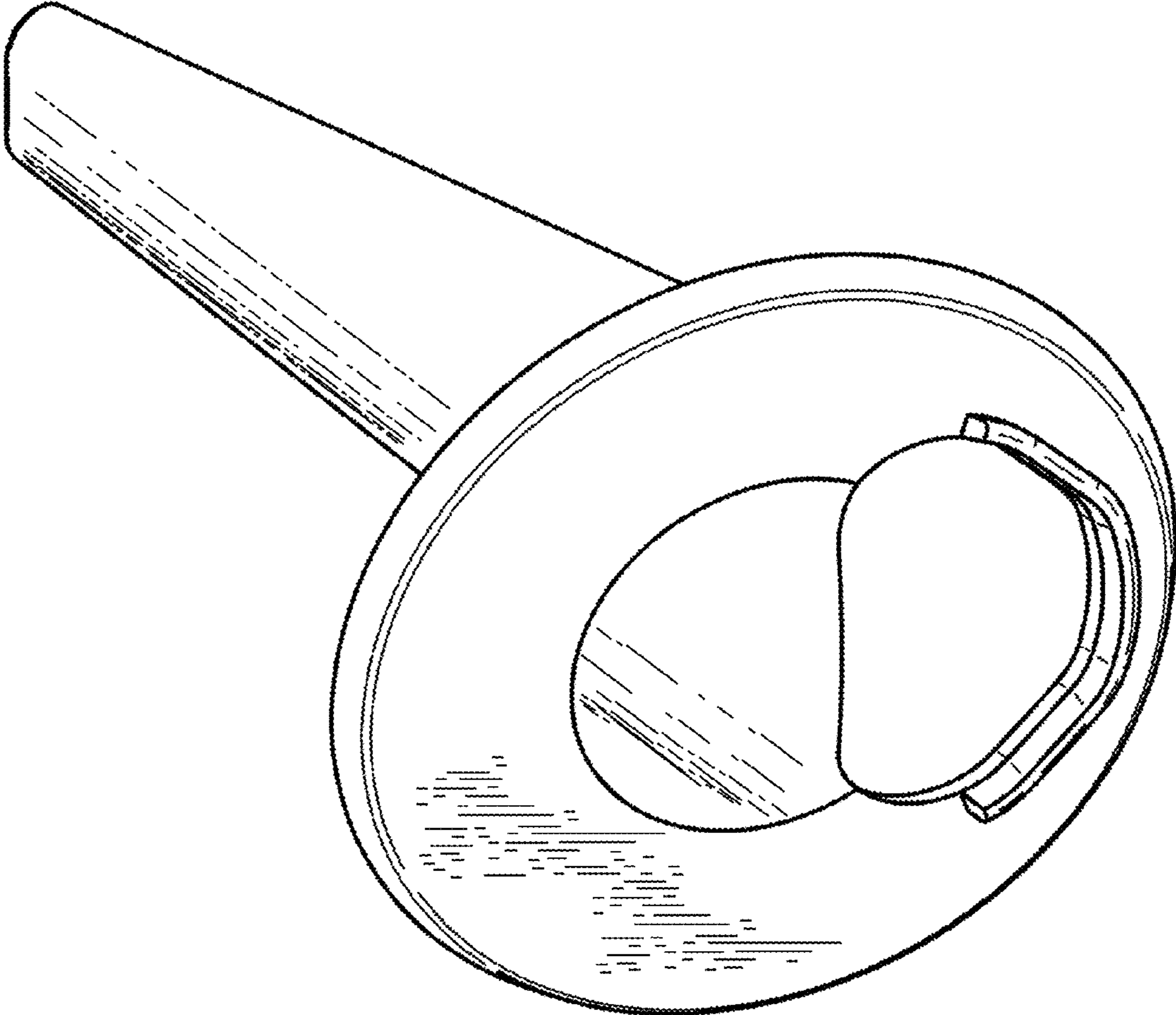


FIG. 1

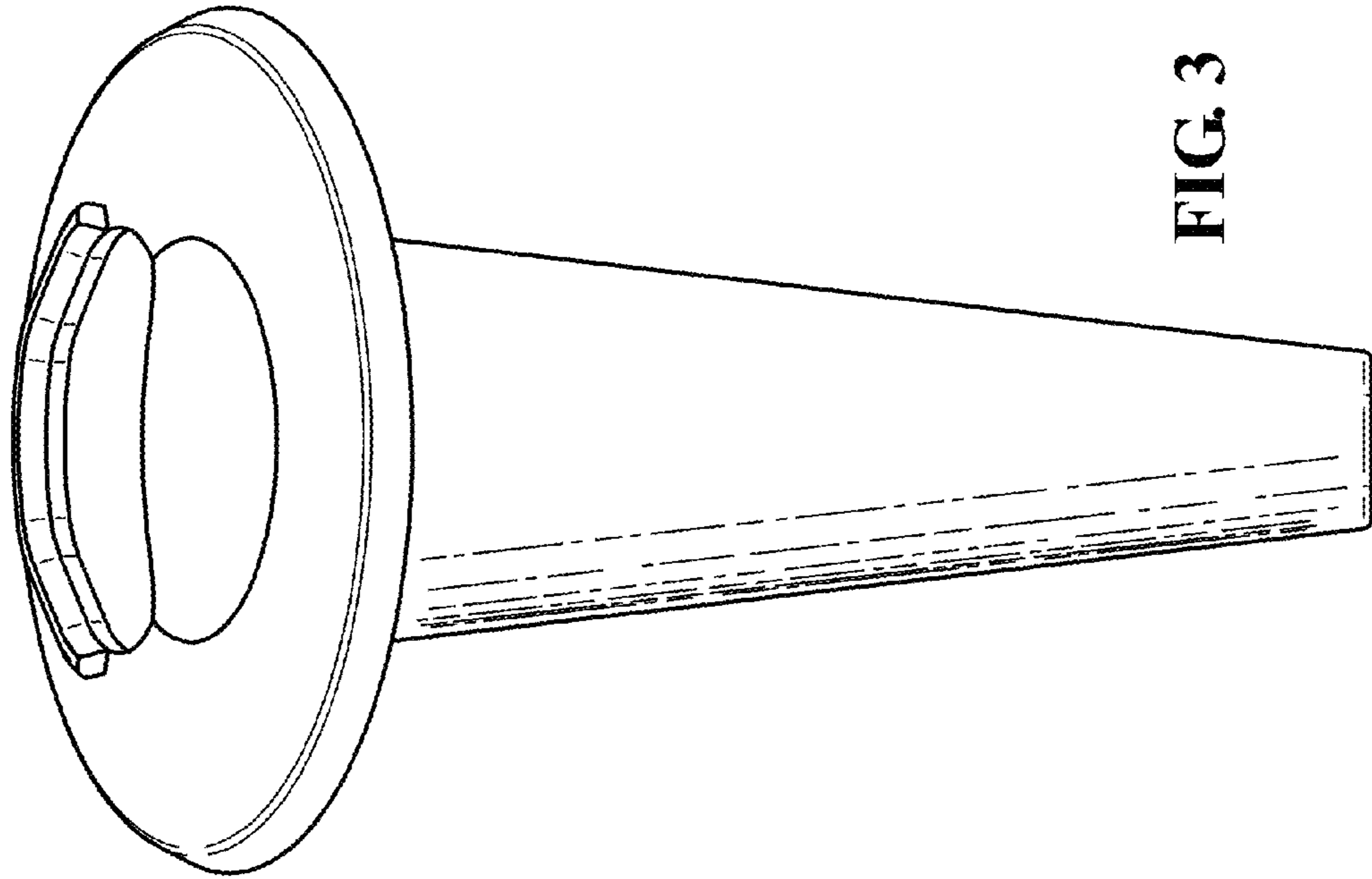


FIG. 3

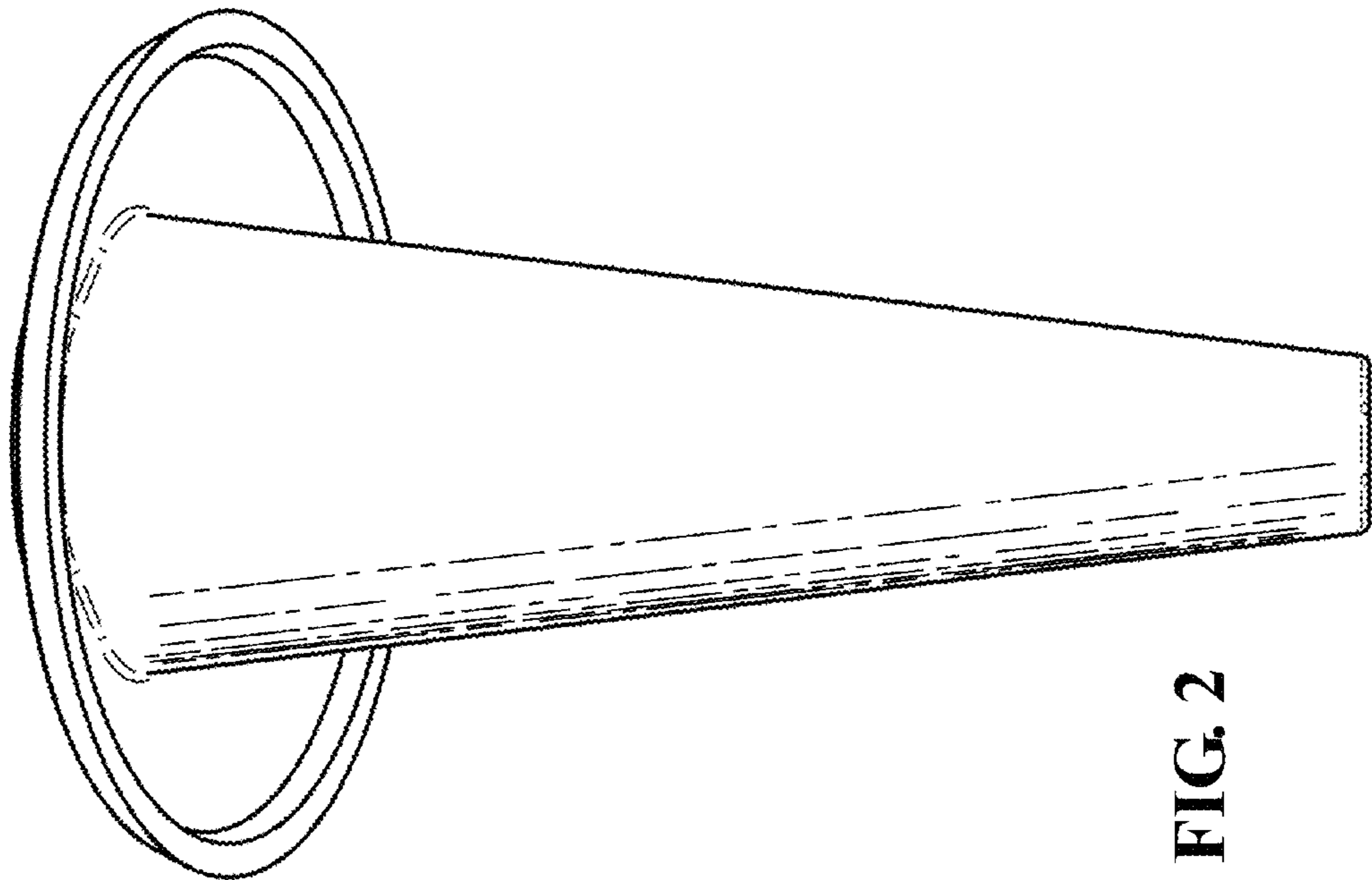


FIG. 2

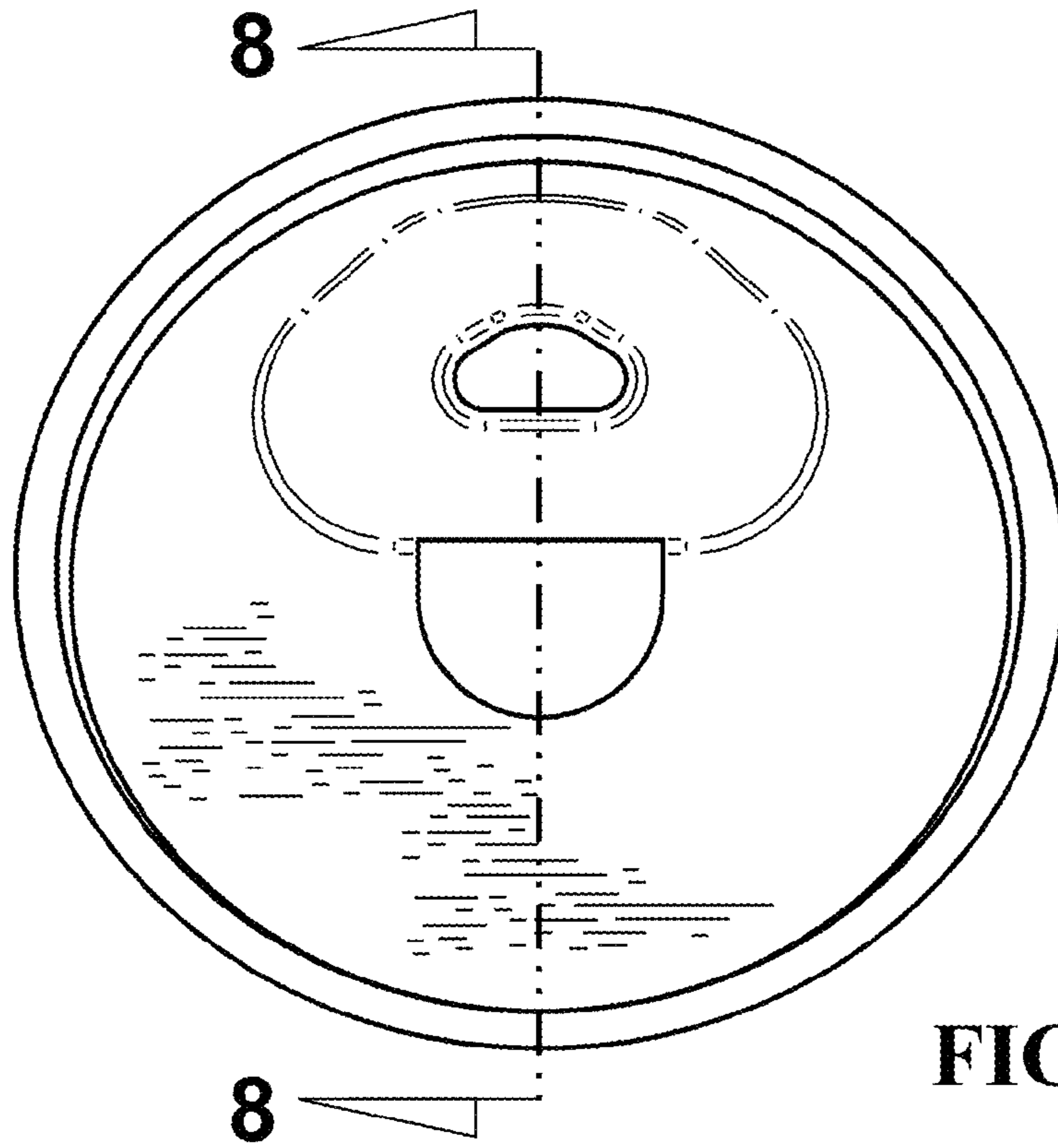


FIG. 4

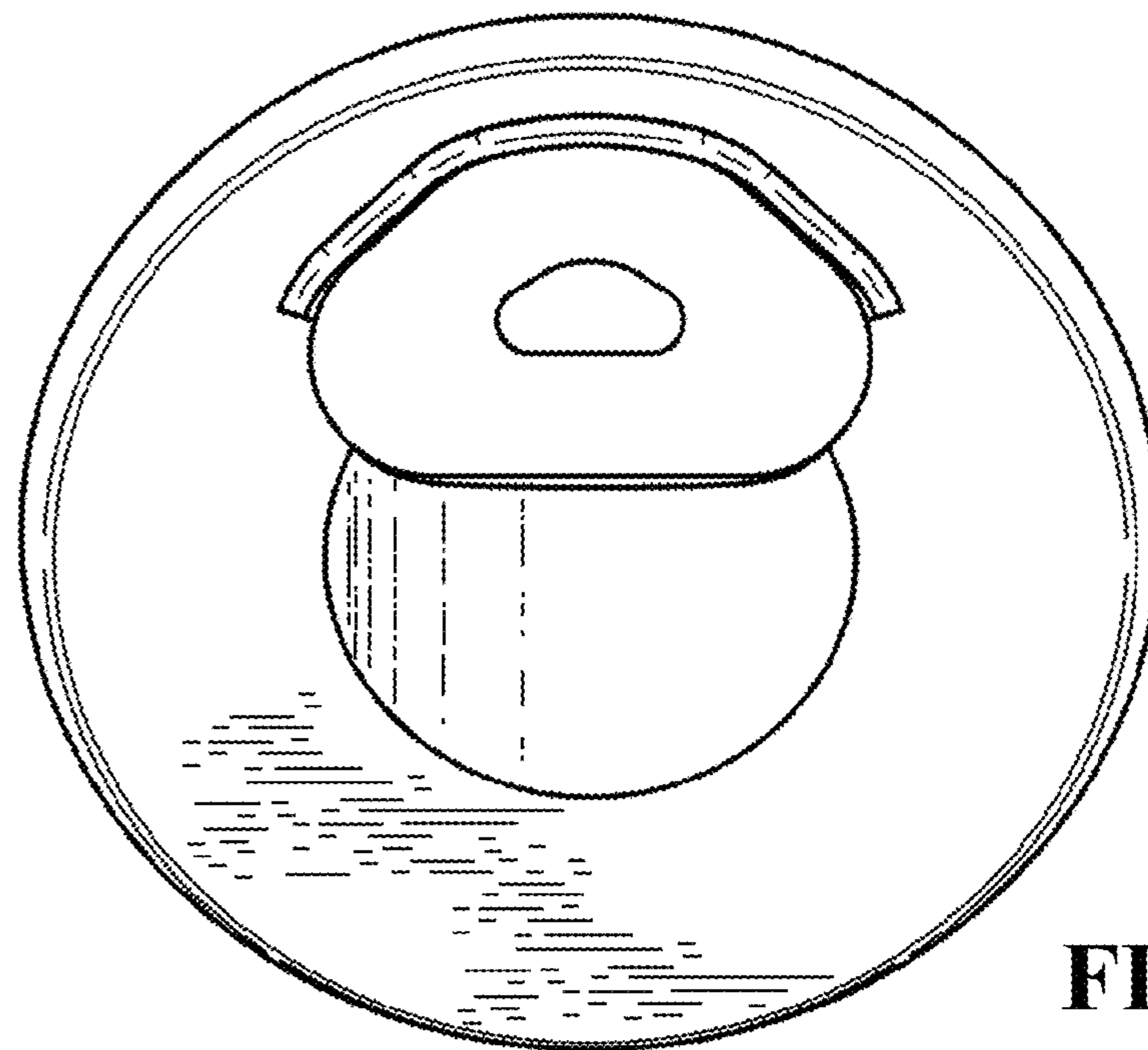


FIG. 5

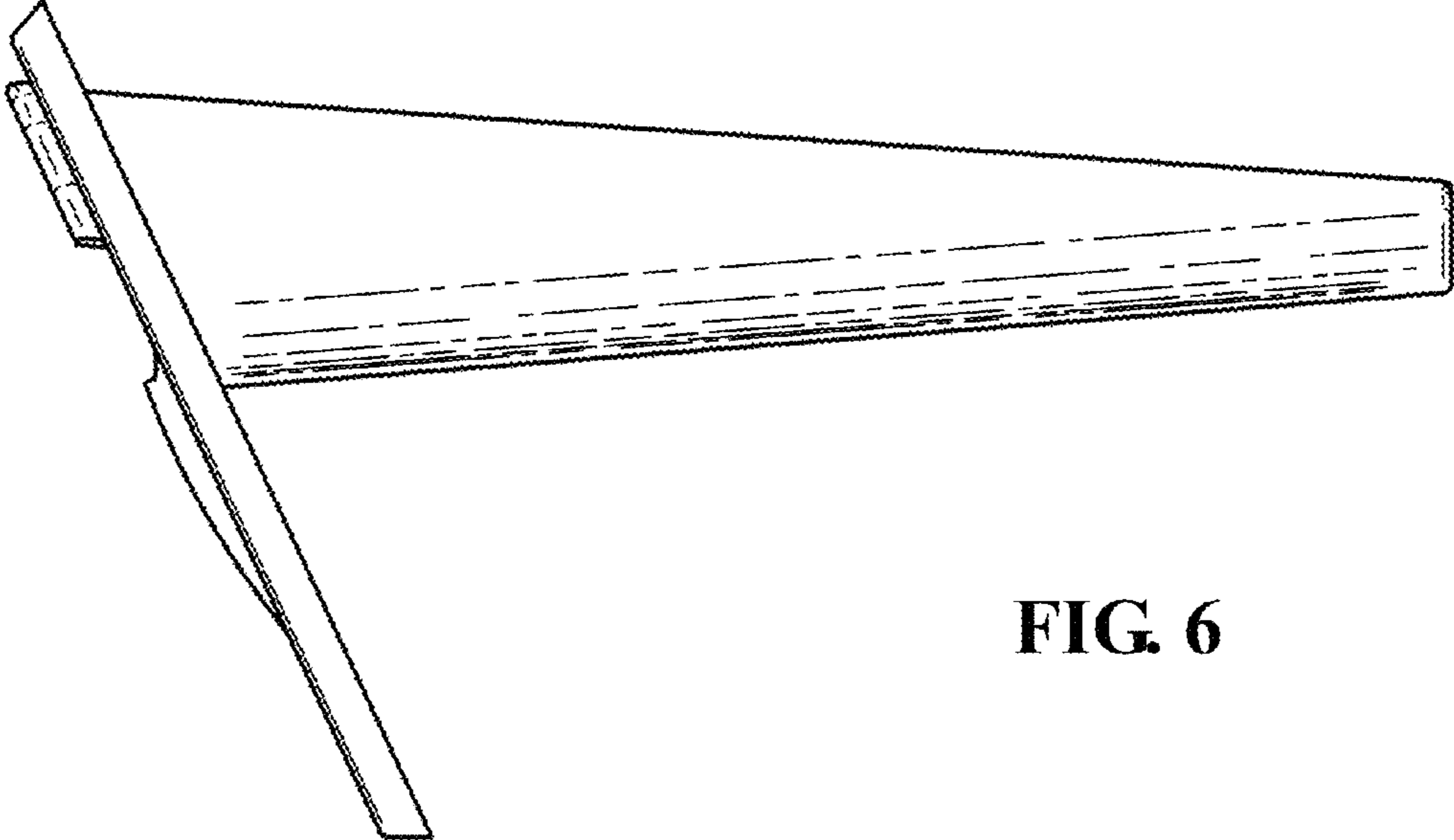


FIG. 6

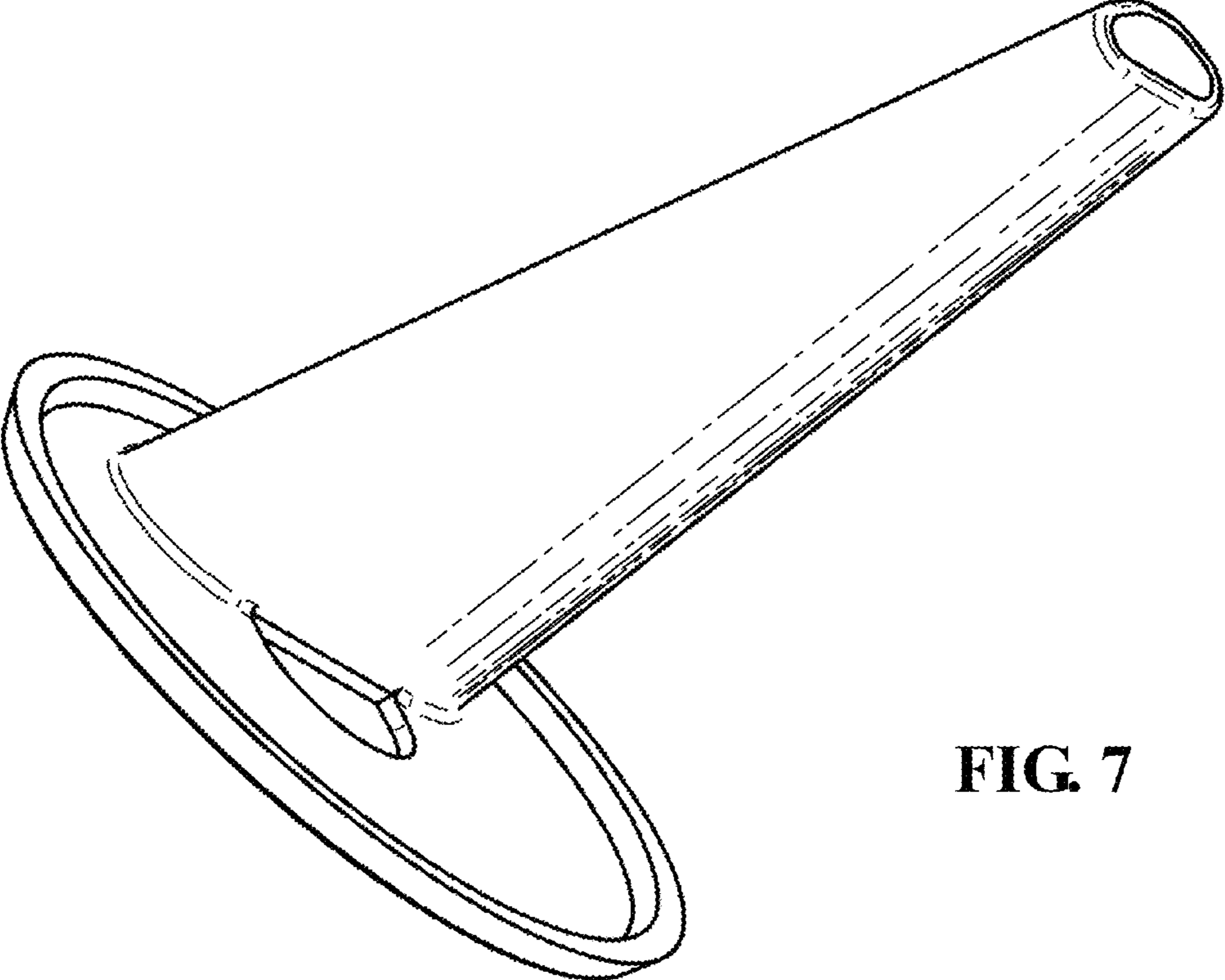


FIG. 7

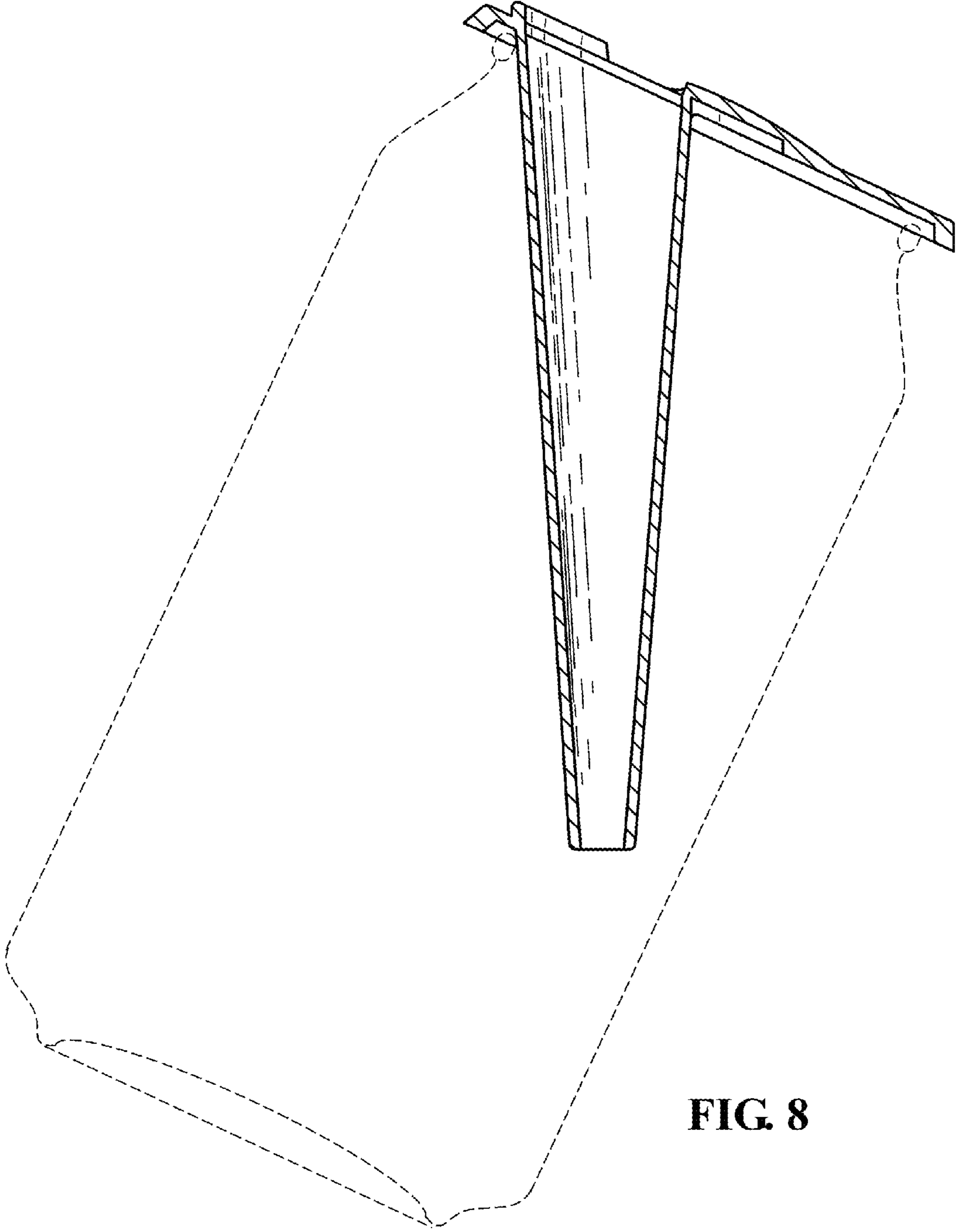


FIG. 8