



US00D768348S

(12) **United States Design Patent** (10) **Patent No.:** **US D768,348 S**
Kellogg (45) **Date of Patent:** **** Oct. 4, 2016**

- (54) **LAUNDRY BAG** 5,544,781 A * 8/1996 Mattesky B65F 1/06
 220/9.4
- (71) Applicant: **Bajer Design & Marketing, Inc.,** 5,772,236 A 6/1998 Clark
 Waukesha, WI (US) 5,967,342 A 10/1999 Steffine
 6,019,381 A 2/2000 Krawczyk
 6,032,965 A 3/2000 Sabounjian
- (72) Inventor: **Adam M. Kellogg,** Oconomowoc, WI D434,538 S 11/2000 Thompson
 (US) D459,044 S 6/2002 Felsenthal
 6,471,236 B1 10/2002 Eskridge
 D474,316 S 5/2003 Sofy et al.
- (73) Assignee: **Bajer Design & Marketing, Inc.,** 6,604,473 B2 8/2003 Felsenthal
 Waukesha, WI (US) 6,691,879 B1 * 2/2004 Alvarez B62B 3/02
 211/175
- (**) Term: **14 Years** D520,696 S 5/2006 Waldman

(Continued)

- (21) Appl. No.: **29/522,470**
- (22) Filed: **Mar. 31, 2015**
- (51) **LOC (10) Cl.** **08-99**
- (52) **U.S. Cl.**
 USPC **D32/36**
- (58) **Field of Classification Search**
 USPC D32/37, 36, 35, 53, 53.1; D3/304-314;
 D9/721, 722, 720; 220/9.3, 9.2, 9.1,
 220/23.83; 211/12, 175; 294/71
 CPC A45C 7/00; A45C 7/0045; A45C 7/005;
 A45C 7/0077; A45C 13/04; D06F 95/002;
 D06F 95/004
 See application file for complete search history.

Primary Examiner — Susan Bennett Hattan
Assistant Examiner — Rebecca Tsehaye
 (74) *Attorney, Agent, or Firm* — Ryan Kromholz &
 Manion, S.C.

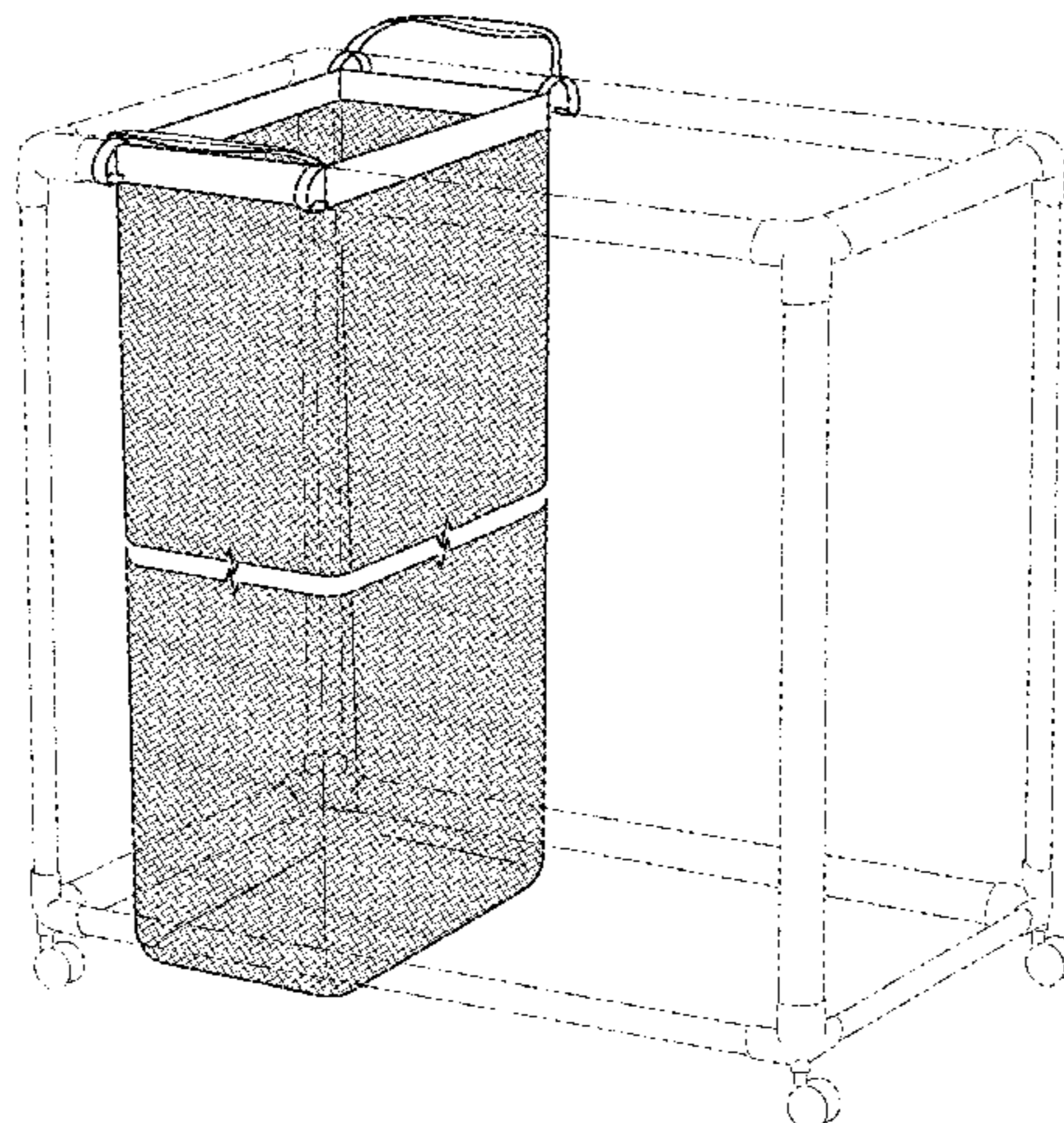
(57) **CLAIM**
 The ornamental design for a laundry bag, as shown and
 described.

DESCRIPTION

FIG. 1 is a perspective view of the laundry bag attached to a cart;
 FIG. 2 is a top plan view;
 FIG. 3 is a bottom plan view;
 FIG. 4 is a front elevation view, the rear elevation view be identical thereto;
 FIG. 5 is a right elevation view, the left elevation view being identical thereto;
 FIG. 6 is an alternate perspective view showing two laundry bags attached to a cart, similar to that of FIG 1; and,
 FIG. 7 is another alternate perspective view showing three laundry bags attached to a cart, similar to that of FIG. 1.
 The broken lines in FIGS. 1, 6 and 7 are included only for the purpose of illustrating environmental structure and form no part of the claimed invention.
 The broken away symbols in FIGS. 1, 4 and 5 indicate the appearance of any portion of the article between the break lines forms no part of the claimed design.

- (56) **References Cited**
 U.S. PATENT DOCUMENTS
- 2,733,930 A 2/1956 Putterman
 2,901,262 A 8/1959 Berlin
 3,583,748 A * 6/1971 Arndt D06F 95/004
 193/25 C
- 4,055,357 A 10/1977 Sorocin
 4,585,283 A * 4/1986 Redmon A47B 61/00
 220/495.07
- 4,646,802 A * 3/1987 Basore B65B 67/1244
 220/495.11
- D290,538 S 6/1987 Basore
 5,154,359 A * 10/1992 Junta B62B 3/106
 211/12
- D336,696 S * 6/1993 Bateman D32/37
 5,294,009 A 3/1994 Maurer
 D352,810 S 11/1994 Cassel

1 Claim, 3 Drawing Sheets



US D768,348 S

Page 2

(56)

References Cited

U.S. PATENT DOCUMENTS

7,210,659 B2 *	5/2007	Lawson	D06F 95/004 211/46	D619,316 S	7/2010	Yang et al.	
7,252,302 B1	8/2007	Thurn			D625,891 S *	10/2010	Krotts D32/36
7,513,511 B2	4/2009	Chaseateau			8,820,777 B1	9/2014	Pargansky	
					8,910,813 B1 *	12/2014	Barre D06F 95/002 220/23.83
					D732,779 S *	6/2015	Bittle D32/37

* cited by examiner

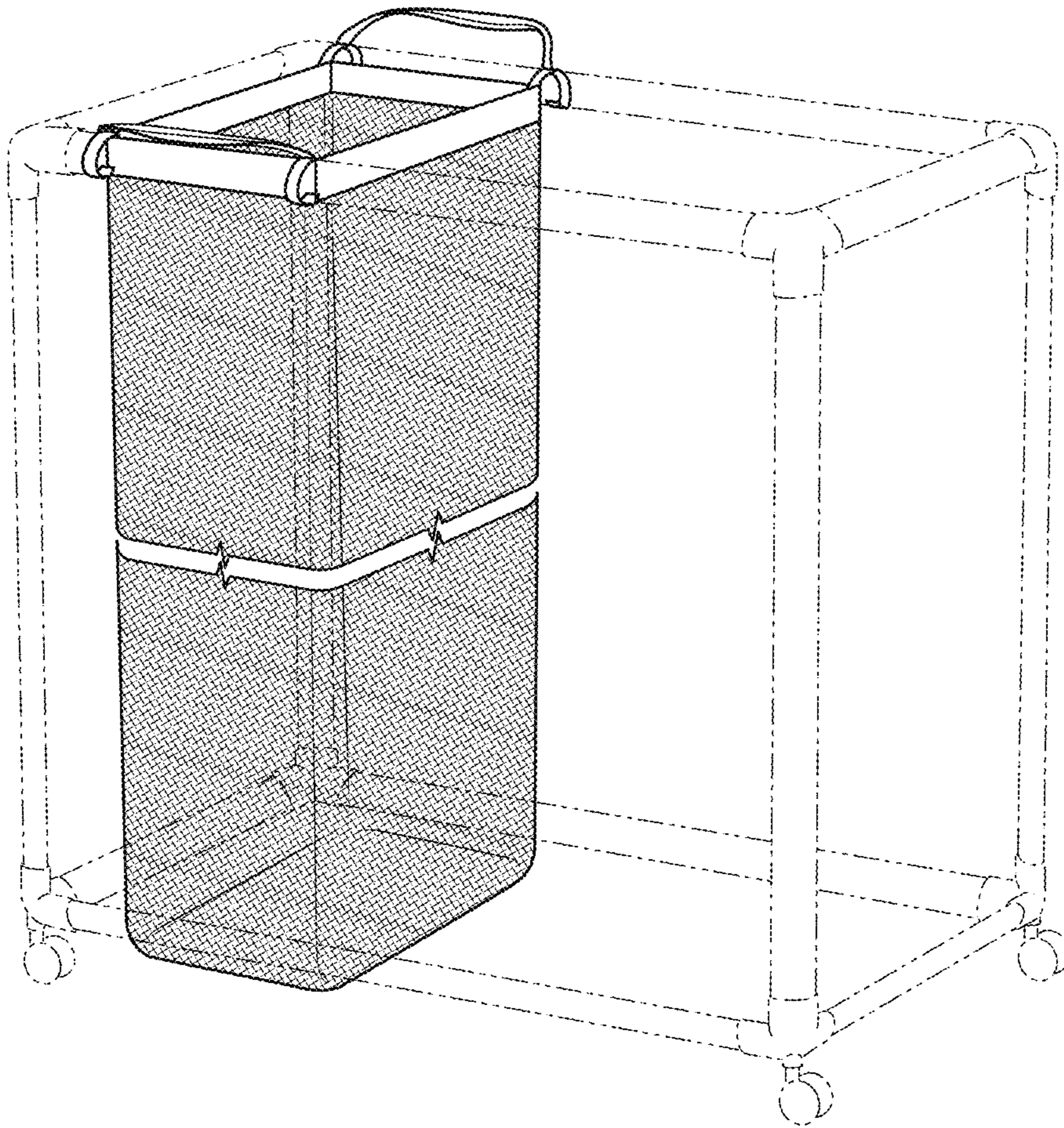


Fig. 1

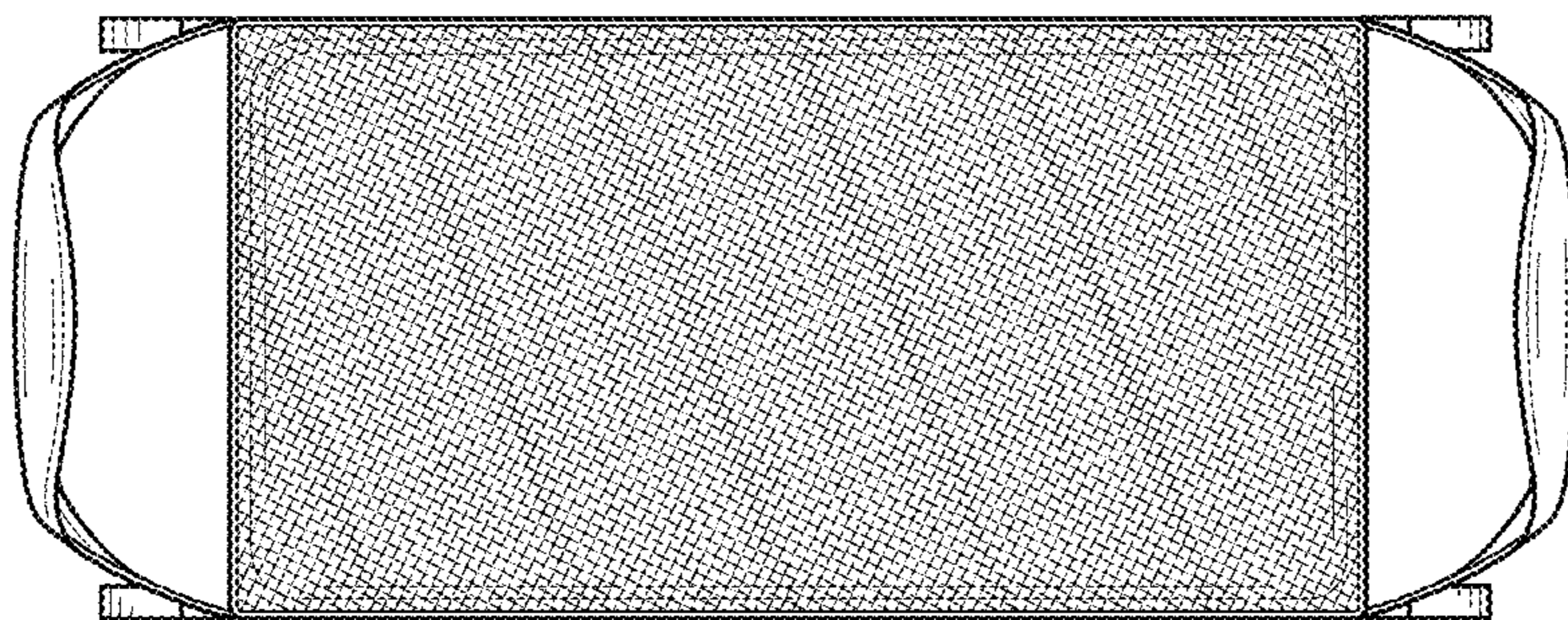


Fig. 2

Fig. 3



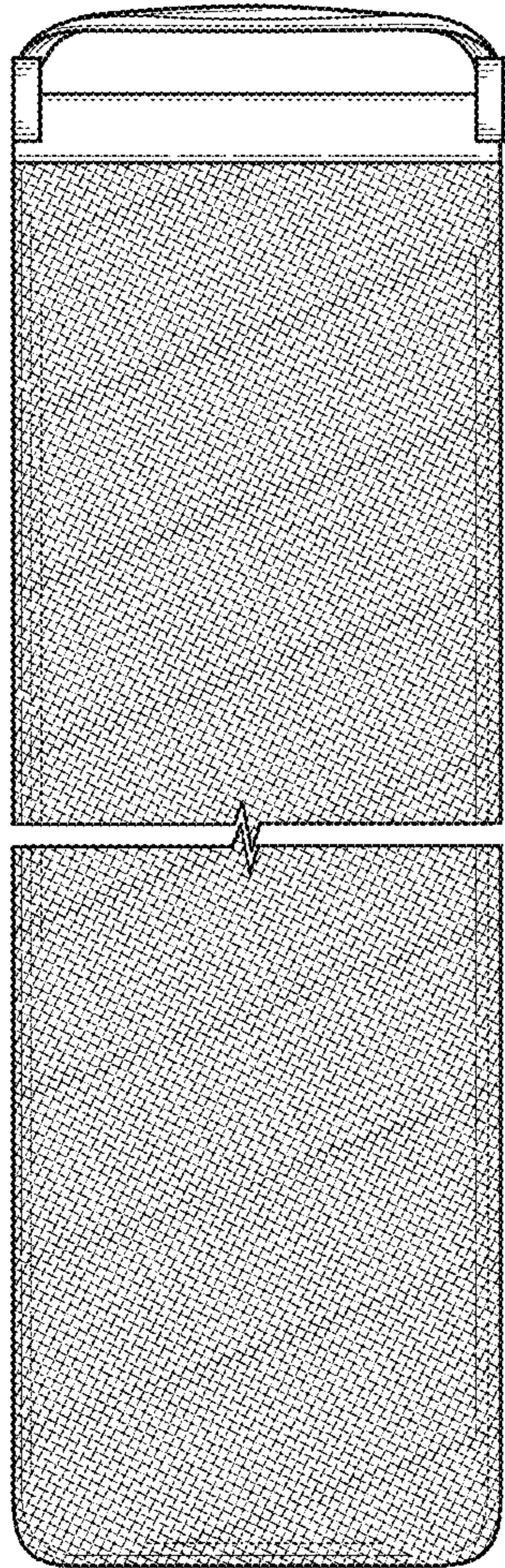


Fig. 4

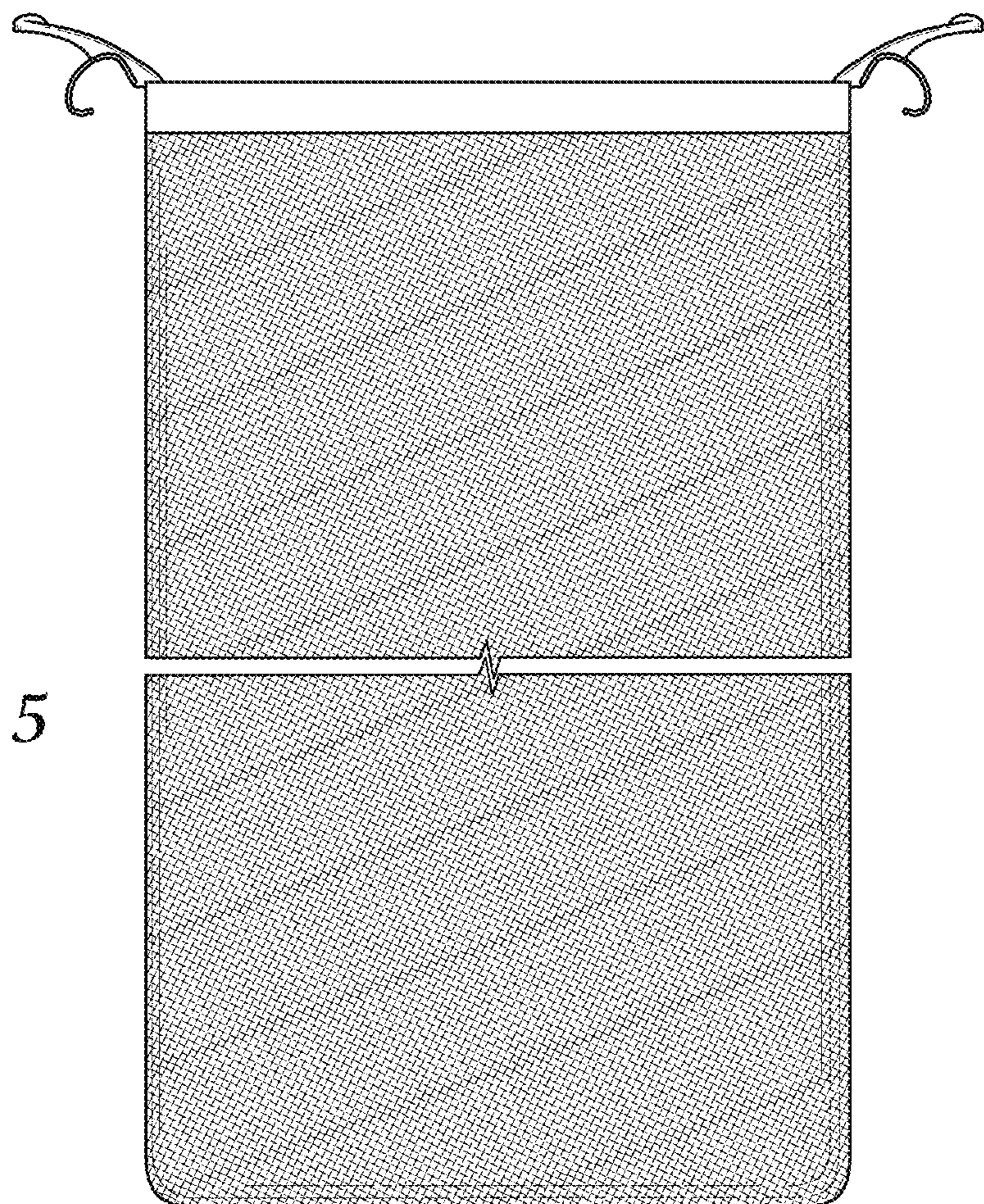


Fig. 5

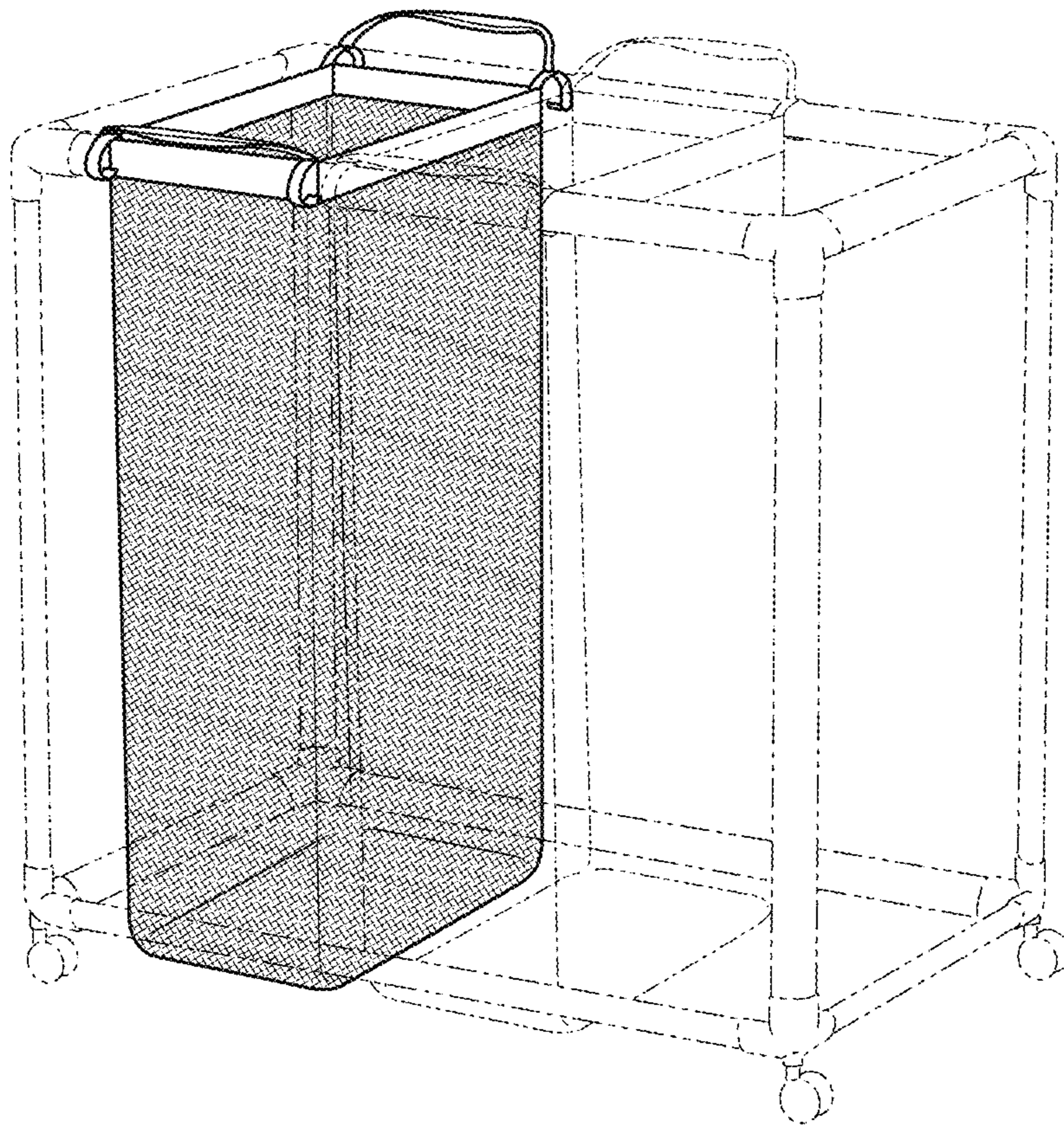


Fig. 6

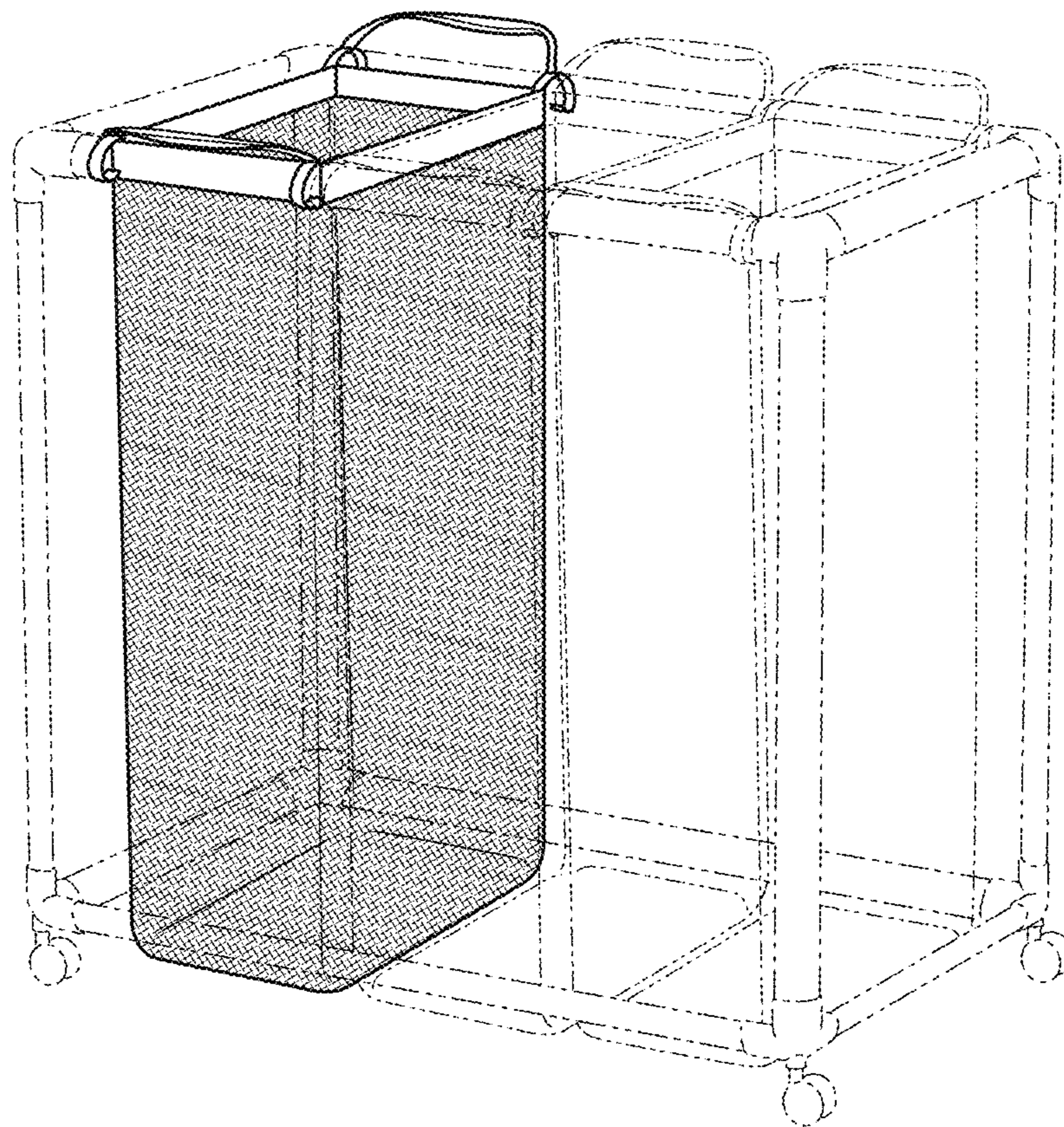


Fig. 7