



US00D768347S

(12) **United States Design Patent**
Bu et al.

(10) **Patent No.:** **US D768,347 S**
(45) **Date of Patent:** **** Oct. 4, 2016**

(54) **BRUSH FOR A VACUUM CLEANER**

(71) Applicant: **Samsung Electronics Co., Ltd.**,
Suwon-si, Gyeonggi-do (KR)

(72) Inventors: **Minhyouk Bu**, Seoul (KR); **Sanghun Yoon**, Seoul (KR); **Cheolyeon Jo**, Seoul (KR); **Jaewon Choi**, Seoul (KR)

(73) Assignee: **SAMSUNG ELECTRONICS CO., LTD.**, Suwon-Si, Gyeonggi-Do (KR)

(**) Term: **15 Years**

(21) Appl. No.: **29/529,775**

(22) Filed: **Jun. 10, 2015**

(30) **Foreign Application Priority Data**

Dec. 15, 2014 (KR) 30-2014-0061139

(51) **LOC (10) Cl.** **15-05**

(52) **U.S. Cl.**
USPC **D32/33**

(58) **Field of Classification Search**
USPC D32/25, 31-33
CPC A47L 9/02; A47L 9/06; A47L 5/28;
A47L 5/24; A47L 11/4044; E04H 4/1654;
E04H 4/34

See application file for complete search history.

(56) **References Cited**

U.S. PATENT DOCUMENTS

D443,120 S *	5/2001	Choi	D32/32
D457,696 S *	5/2002	Worwag	D32/32
D460,231 S *	7/2002	Bagwell	D32/32
D507,854 S *	7/2005	Kim	D32/32
D511,231 S *	11/2005	Langham	D32/33
D518,932 S *	4/2006	Maruyama	D32/32

D564,720 S *	3/2008	Dyson	D32/32
D599,515 S *	9/2009	Davies	D32/32
D616,164 S *	5/2010	McLeod	D32/32
D643,168 S *	8/2011	Dyson	D32/32
D649,725 S *	11/2011	Fjellman	D32/32
D698,510 S *	1/2014	Chu	D32/32
D741,559 S *	10/2015	Marsden	D32/32
2003/0217431 A1 *	11/2003	Uratani	A47L 9/02 15/328
2007/0089263 A1 *	4/2007	Song	A47L 9/0081 15/415.1
2009/0049642 A1 *	2/2009	Oh	A47L 9/06 15/332
2012/0216361 A1 *	8/2012	Millington	A47L 9/02 15/246.2

FOREIGN PATENT DOCUMENTS

EM	000280516-0001	1/2005
EM	000930151-0002	5/2008
KR	30-0701840	7/2013

* cited by examiner

Primary Examiner — Ruth McNroy

(74) *Attorney, Agent, or Firm* — Ladas & Parry LLP

(57) **CLAIM**

We claim the ornamental design for a brush for a vacuum cleaner, as shown and described.

DESCRIPTION

FIG. 1 is the front perspective view of a brush for a vacuum cleaner showing our new design;
FIG. 2 is the front view thereof;
FIG. 3 is the rear view thereof;
FIG. 4 is the left-side view thereof;
FIG. 5 is the right-side view thereof; and,
FIG. 6 is the top plan view thereof.
The broken lines in the drawing show unclaimed environment only and form no part of the claimed design.

1 Claim, 6 Drawing Sheets

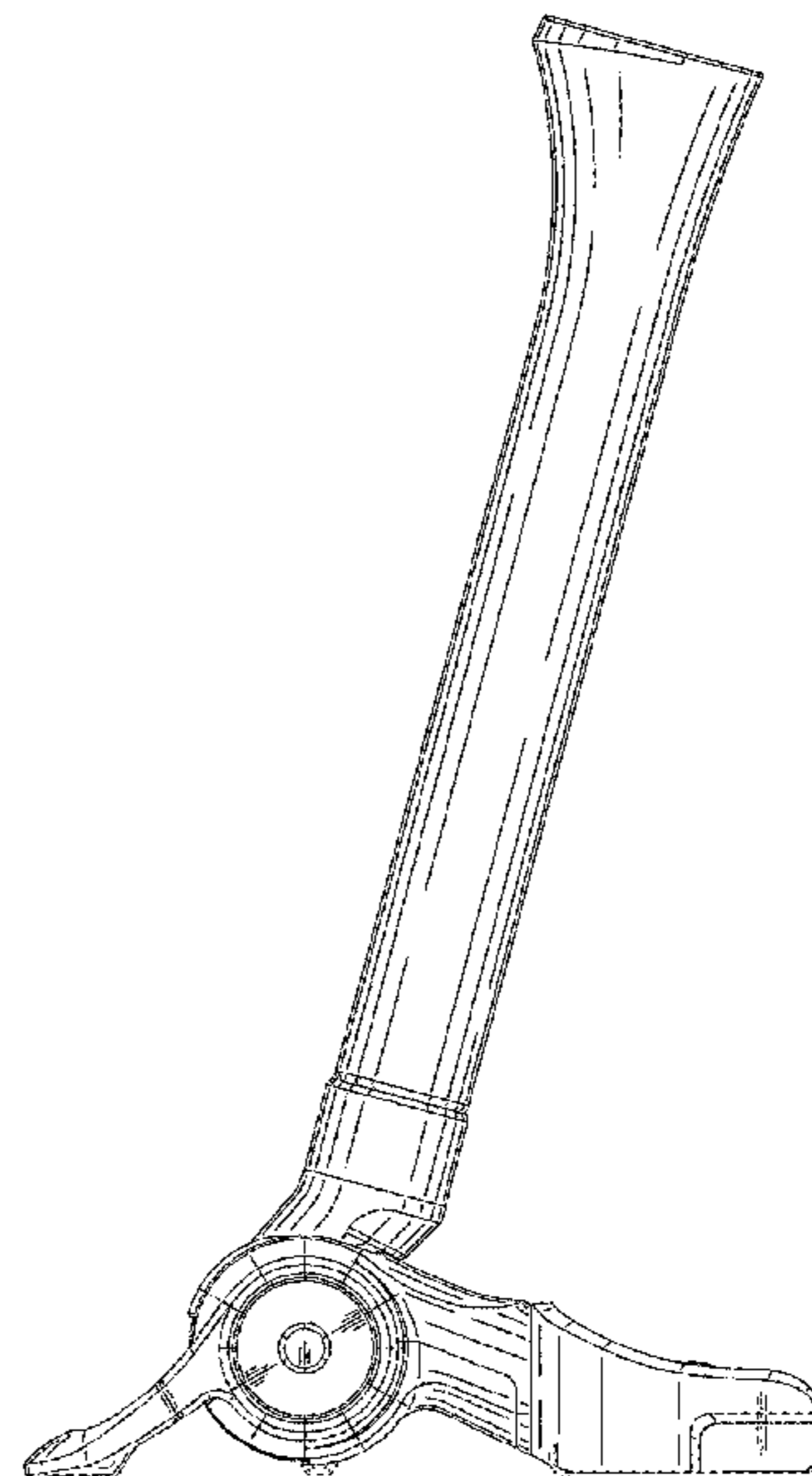
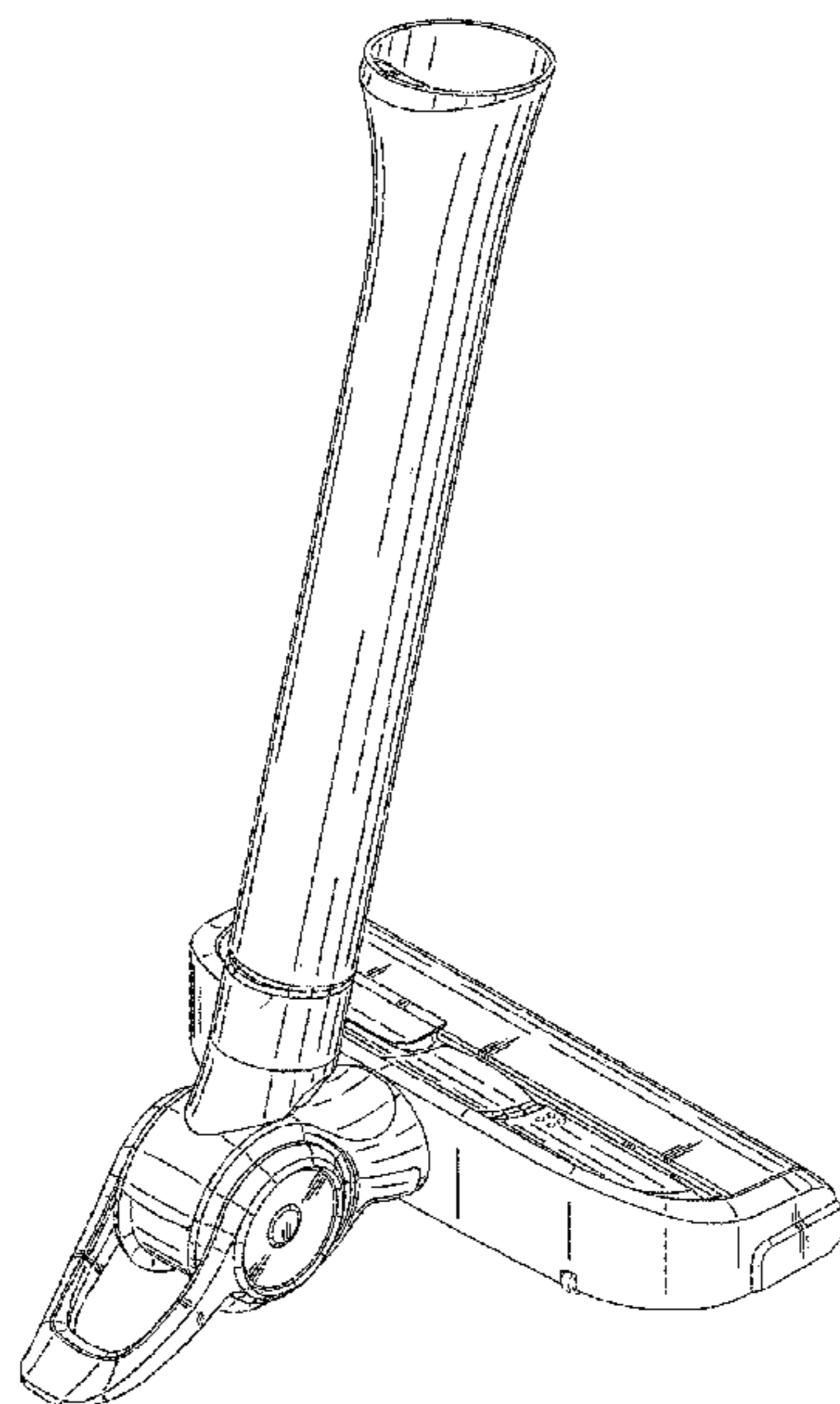


FIG. 1

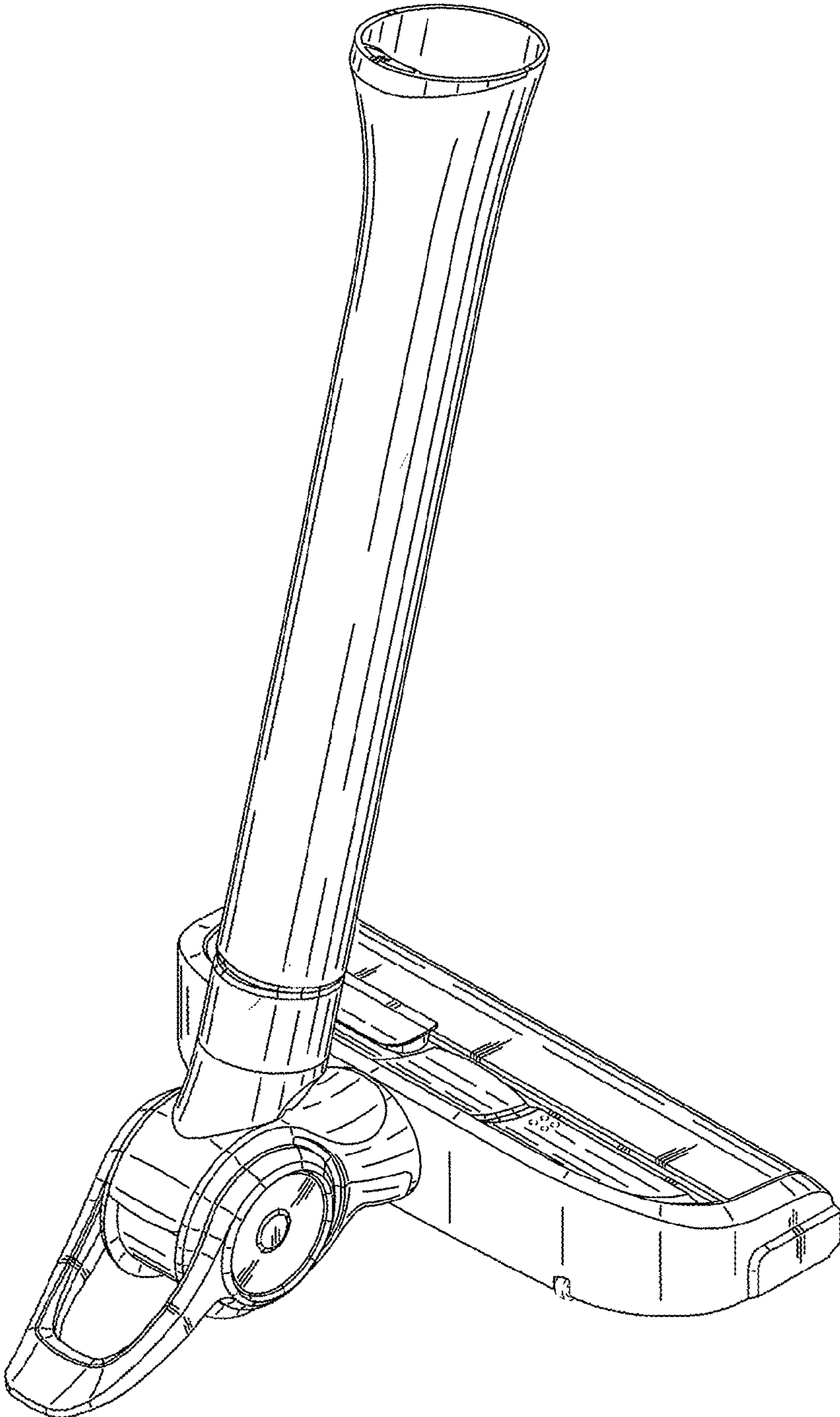


FIG. 2

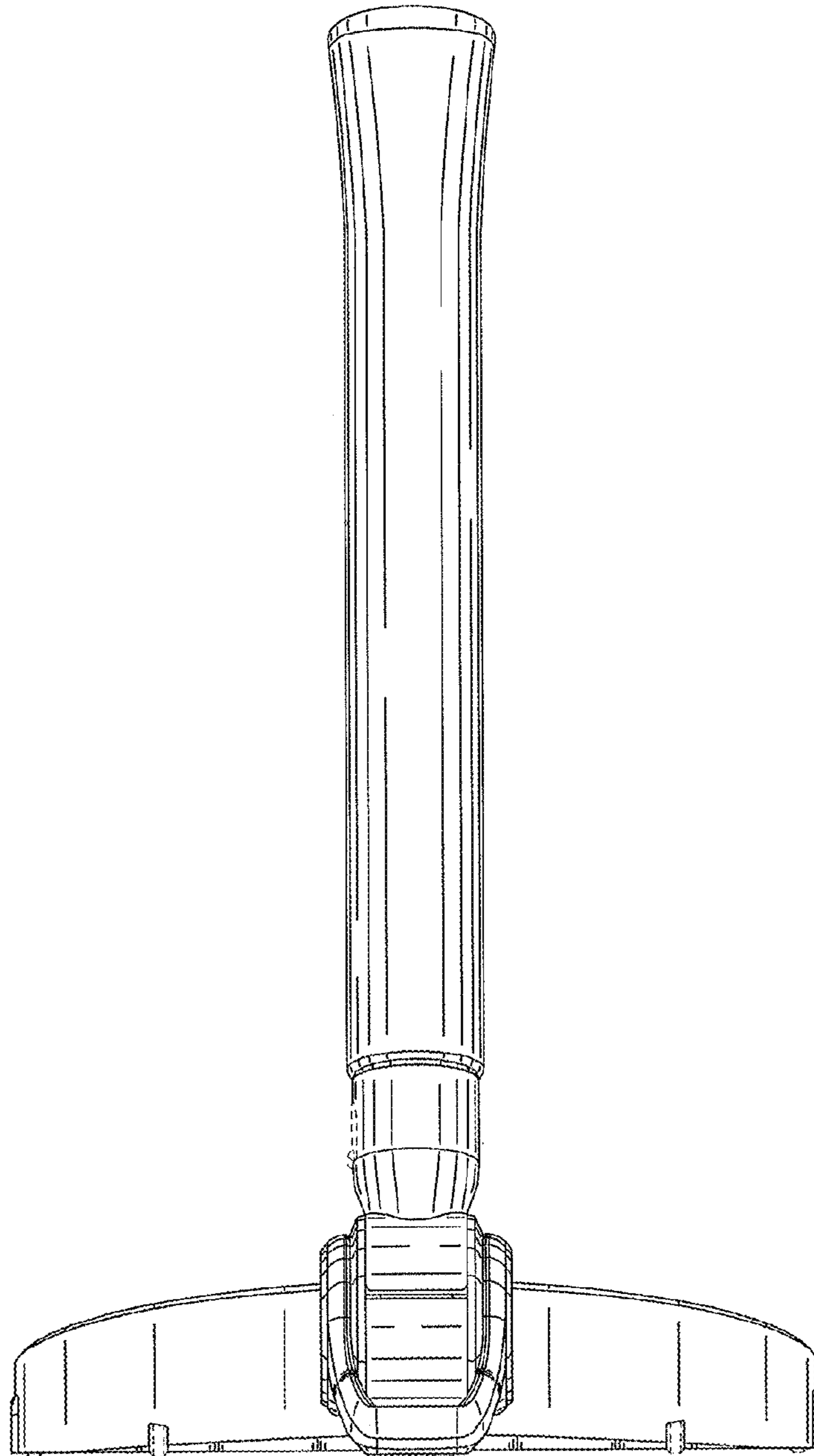


FIG. 3

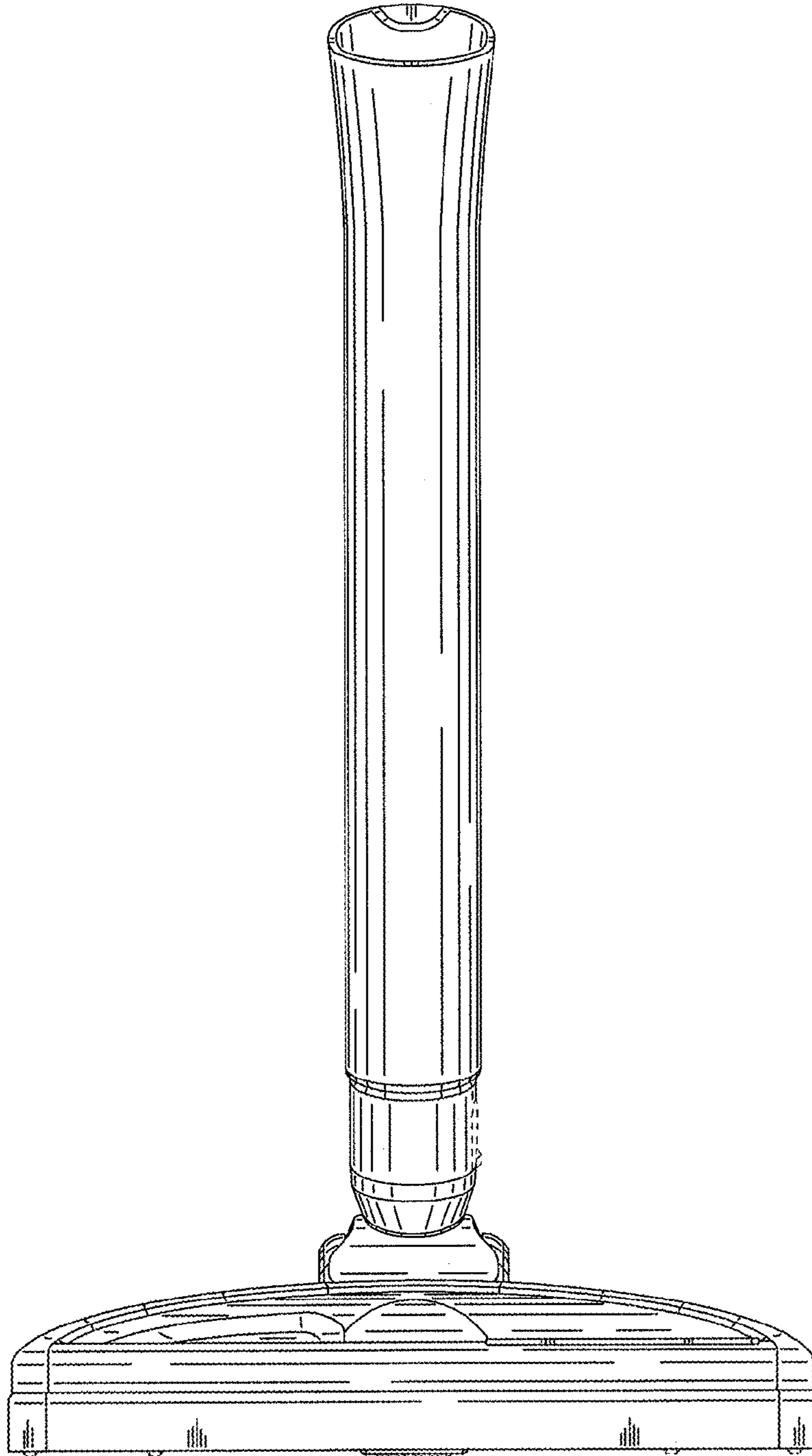


FIG. 4

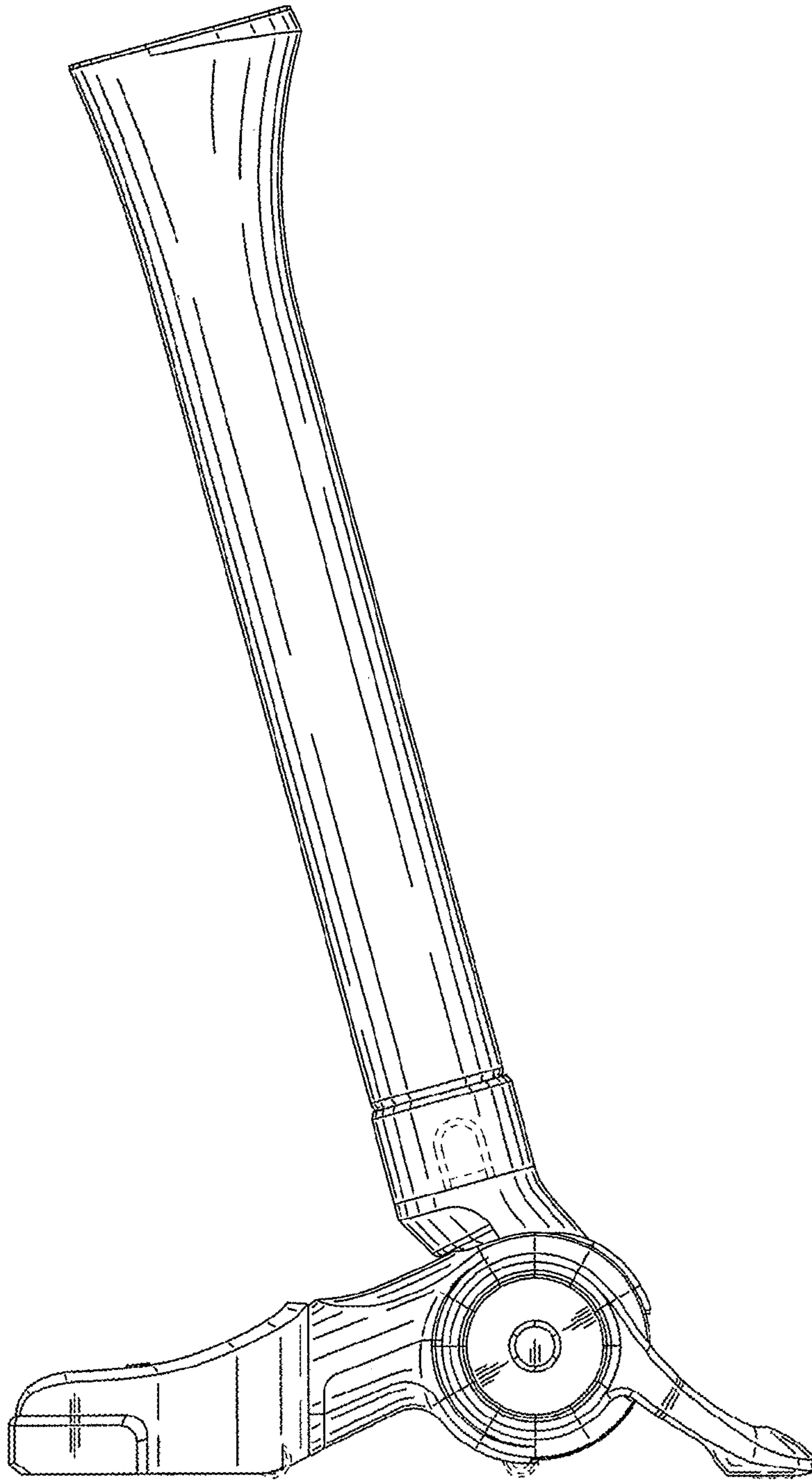


FIG. 5

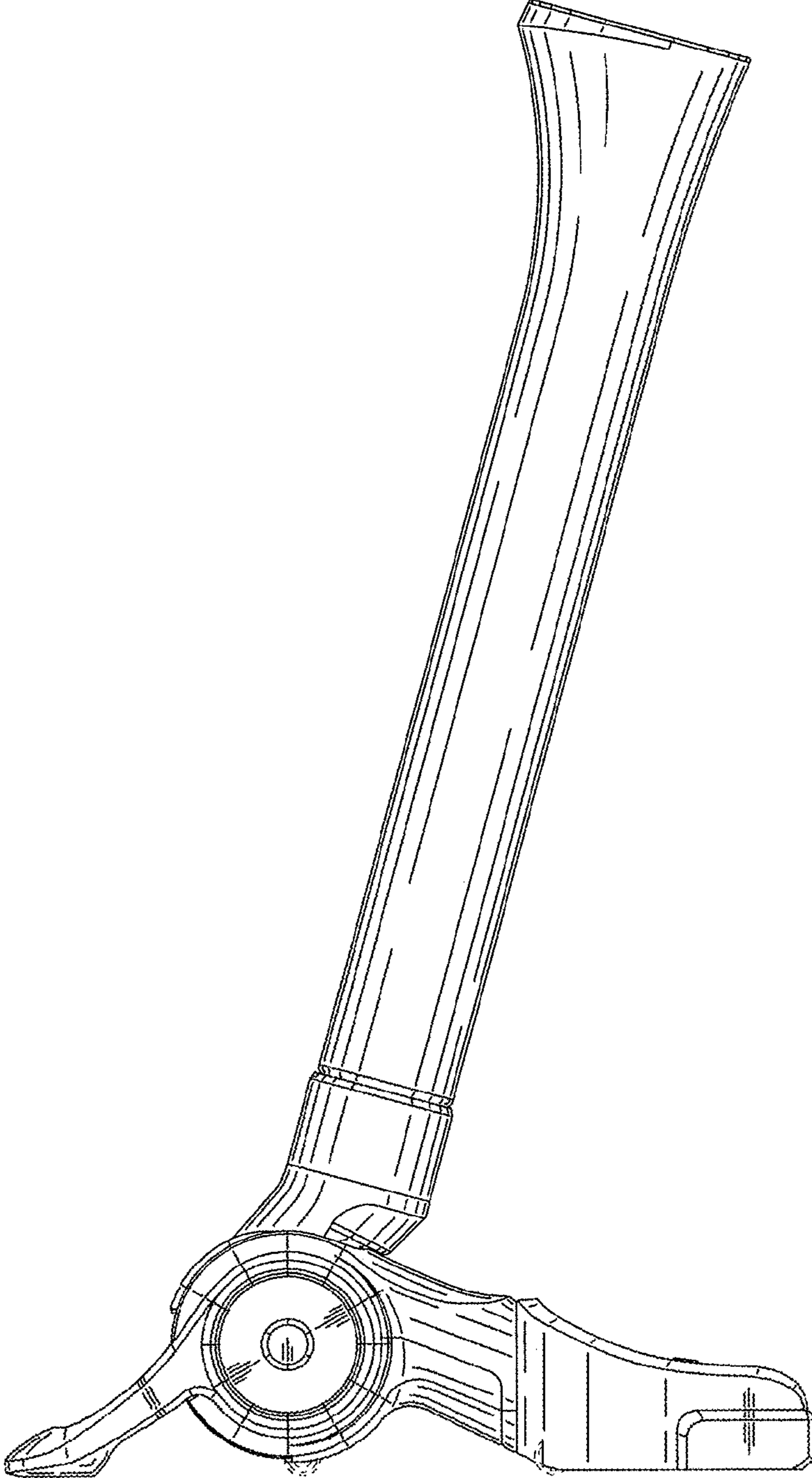


FIG. 6

