



US00D768338S

(12) **United States Design Patent** (10) **Patent No.:** **US D768,338 S**
Moriah (45) **Date of Patent:** **** Oct. 4, 2016**

(54) **SHOWER SAFETY DEVICE**
(71) Applicant: **Enosh Moriah**, Tarzana, CA (US)
(72) Inventor: **Enosh Moriah**, Tarzana, CA (US)
(**) Term: **14 Years**
(21) Appl. No.: **29/510,333**
(22) Filed: **Nov. 26, 2014**

7,303,049 B1 12/2007 Greenlee
8,325,053 B2 12/2012 Flynt et al.
8,584,796 B2 * 11/2013 Lara A62B 35/04
182/3
D745,743 S * 12/2015 Reukema D29/101.1
9,242,127 B1 * 1/2016 London, Sr. A62B 35/0018
2009/0249712 A1 10/2009 Brickell et al.
2010/0231402 A1 9/2010 Flynt et al.
2011/0103558 A1 5/2011 Hooten
2012/0073904 A1 3/2012 Harris, Jr.
2012/0212339 A1 8/2012 Goldblatt
2013/0076515 A1 3/2013 Flynt et al.

(51) **LOC (10) Cl.** **29-02**
(52) **U.S. Cl.**
USPC **D29/101.1**
(58) **Field of Classification Search**
USPC D29/101.1; 248/102-107, 548;
215/397, 11.6; D3/229, 215; 224/148;
D24/199
CPC A45F 2005/008
See application file for complete search history.

FOREIGN PATENT DOCUMENTS

GB 1354019 A 5/1974
GB 2310586 A 9/1997

* cited by examiner

Primary Examiner — Randall Gholson

(57) **CLAIM**

The ornamental design for a shower safety device, as shown.

(56) **References Cited**

U.S. PATENT DOCUMENTS

3,491,726 A * 1/1970 Partin A47K 3/281
119/770
4,253,544 A 3/1981 Dalmaso
5,113,981 A * 5/1992 Lantz F16F 7/006
182/3
5,308,101 A * 5/1994 Monty B60D 1/182
267/74
5,927,235 A 7/1999 Olaiz
5,979,599 A * 11/1999 Noles A62B 35/0087
182/3
6,305,024 B1 * 10/2001 Schweer A41D 13/0007
182/3
6,467,573 B1 * 10/2002 Parker A62B 35/0075
182/3
6,809,640 B1 10/2004 Sherman
7,000,730 B1 * 2/2006 Ostrobrod A62B 1/04
182/3
7,106,205 B2 9/2006 Graef et al.

DESCRIPTION

This patent application claims the benefit of application Ser. No. 14/014,054 filed Aug. 29, 13 entitled Shower Safety System, which application is incorporated in its entirety here by this reference.

FIG. 1 is a perspective view of a shower safety device showing my new design;

FIG. 2 is a right side elevational view thereof;

FIG. 3 is a left side elevational view thereof;

FIG. 4 is a bottom plan view thereof;

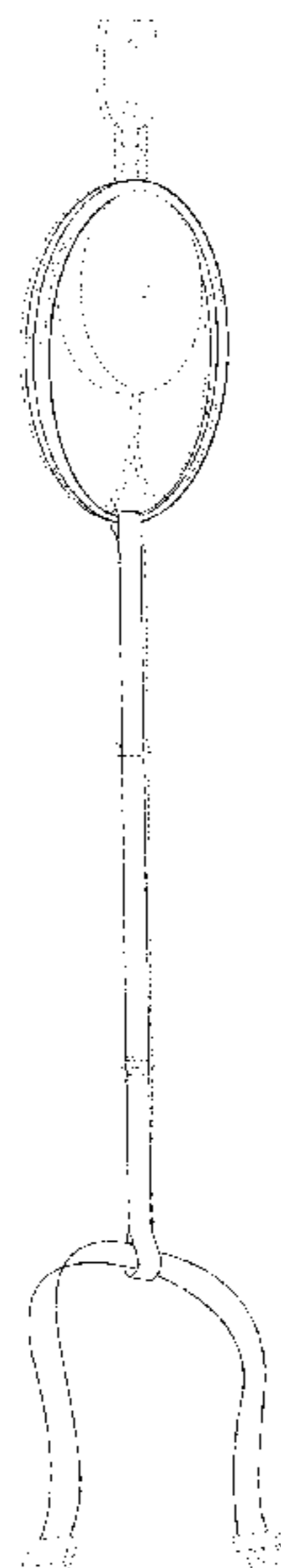
FIG. 5 is a top plan view thereof; and

FIG. 6 is a front elevational view thereof; and,

FIG. 7 is a rear elevational view thereof.

The broken lines depict portions of the shower safety device that form no part of the claimed design.

1 Claim, 4 Drawing Sheets



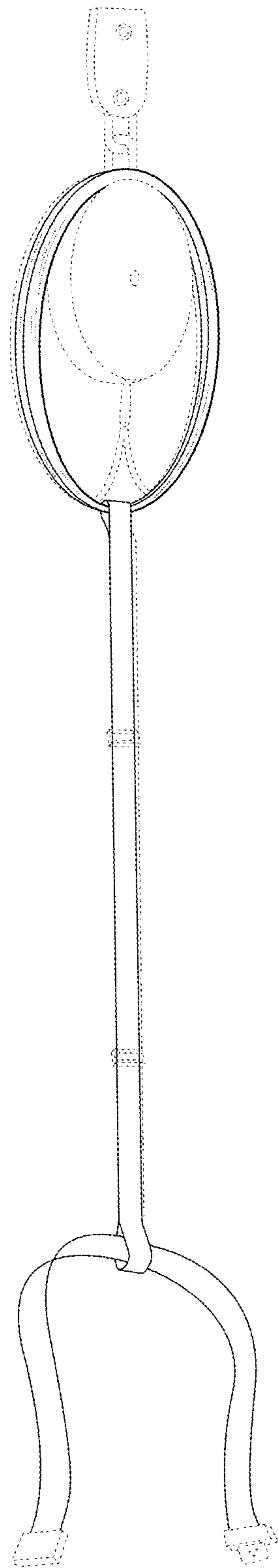


FIG. 1

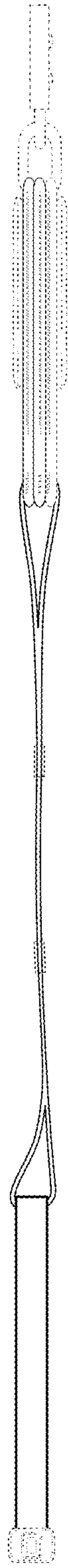


FIG. 2

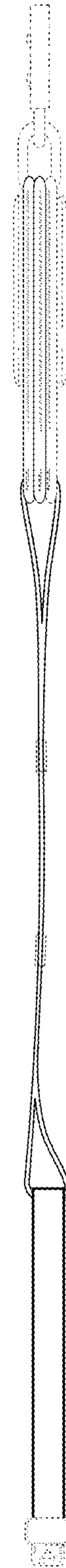


FIG. 3

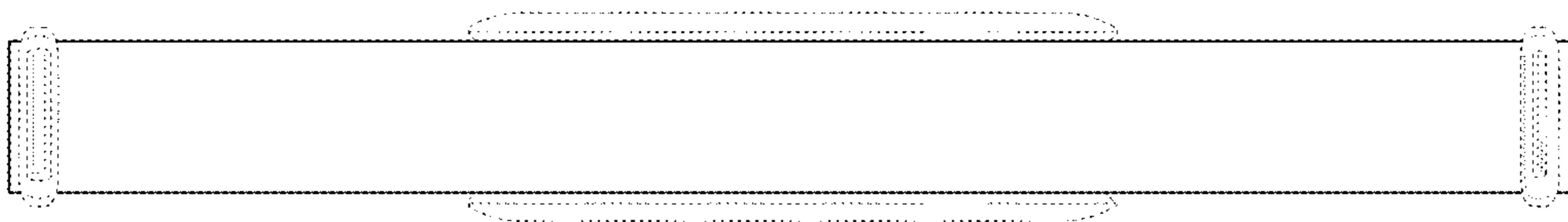


FIG. 4

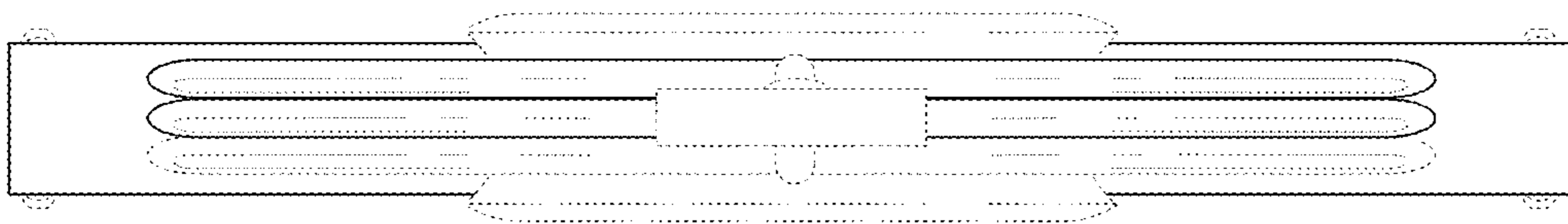


FIG. 5

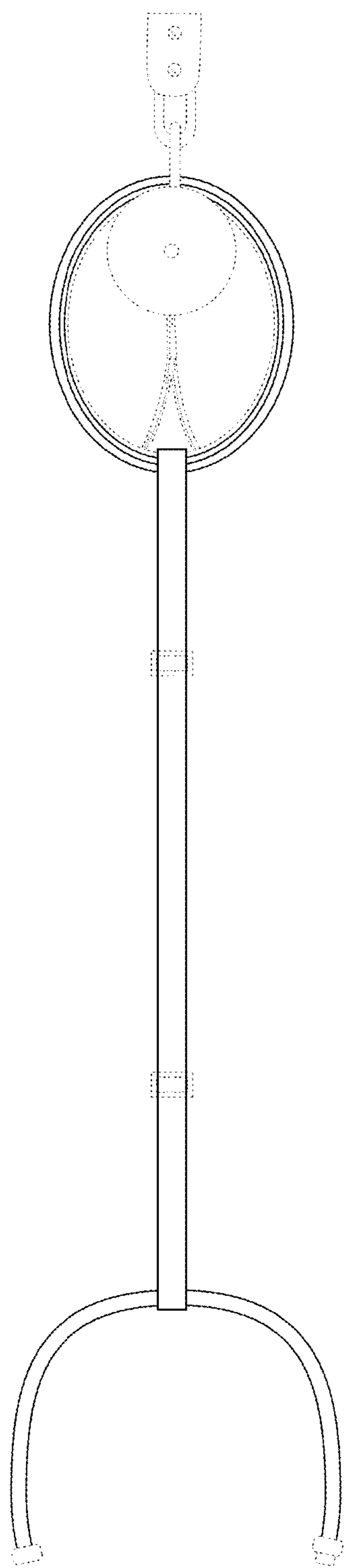


FIG. 6

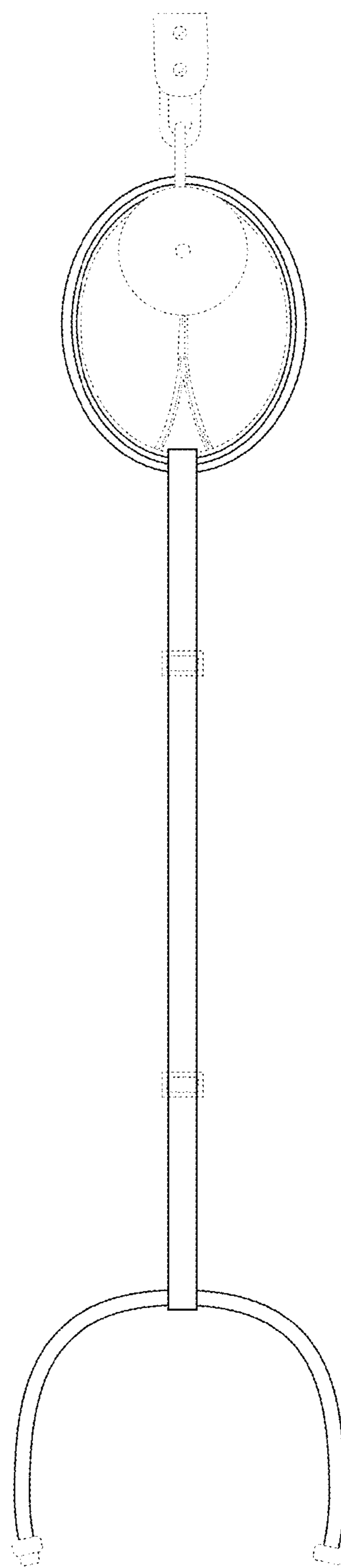


FIG. 7