



US00D768337S

(12) **United States Design Patent**
Treb et al.

(10) **Patent No.:** **US D768,337 S**
(45) **Date of Patent:** **** Oct. 4, 2016**

- (54) **HAIR EXTENSION HOLDER**
- (71) Applicants: **Susan Treb**, Walnut Creek, CA (US);
Kyle Fields, El Dorado Hills, CA (US)
- (72) Inventors: **Susan Treb**, Walnut Creek, CA (US);
Kyle Fields, El Dorado Hills, CA (US)
- (73) Assignee: **Susan Treb**, Walnut Creek, CA (US)

- 2014/0191634 A1* 7/2014 Smiley A47F 7/065
312/209
- 2015/0196143 A1* 7/2015 Sterling F16M 13/022
29/452
- 2015/0257515 A1* 9/2015 Bernard A45D 44/02
211/33
- 2015/0351562 A1* 12/2015 Kebreau A47F 7/065
211/30
- 2015/0351574 A1* 12/2015 Eslami A47G 29/08
206/388

(**) Term: **14 Years**

(21) Appl. No.: **29/520,779**

(22) Filed: **Mar. 17, 2015**

(51) **LOC (10) Cl.** **28-03**

(52) **U.S. Cl.**
USPC **D28/93**; D28/10; D28/73

(58) **Field of Classification Search**
USPC 248/339, 340; D28/9, 10, 73, 93;
211/13.1; D3/205
CPC A45D 44/16; A45D 44/04; A45D 44/02
See application file for complete search history.

(56) **References Cited**

U.S. PATENT DOCUMENTS

- D644,426 S * 9/2011 Skaggs D3/205
- D723,741 S * 3/2015 Caplan D28/73
- 8,998,002 B1 * 4/2015 Milner A47F 7/065
211/13.1
- 9,332,820 B2 * 5/2016 Bernard A45D 44/02
- 2006/0289368 A1 * 12/2006 Abney A47F 7/065
211/13.1
- 2009/0008347 A1 * 1/2009 Bell A45D 44/02
211/61
- 2011/0284397 A1 * 11/2011 Batres A45C 11/24
206/8
- 2013/0104922 A1 * 5/2013 Hall A45D 44/04
132/200

OTHER PUBLICATIONS

Hair Works 4 in 1, www.Amazon.com, Reviewed Feb. 2016,
downloaded Jun. 21, 2016.*

* cited by examiner

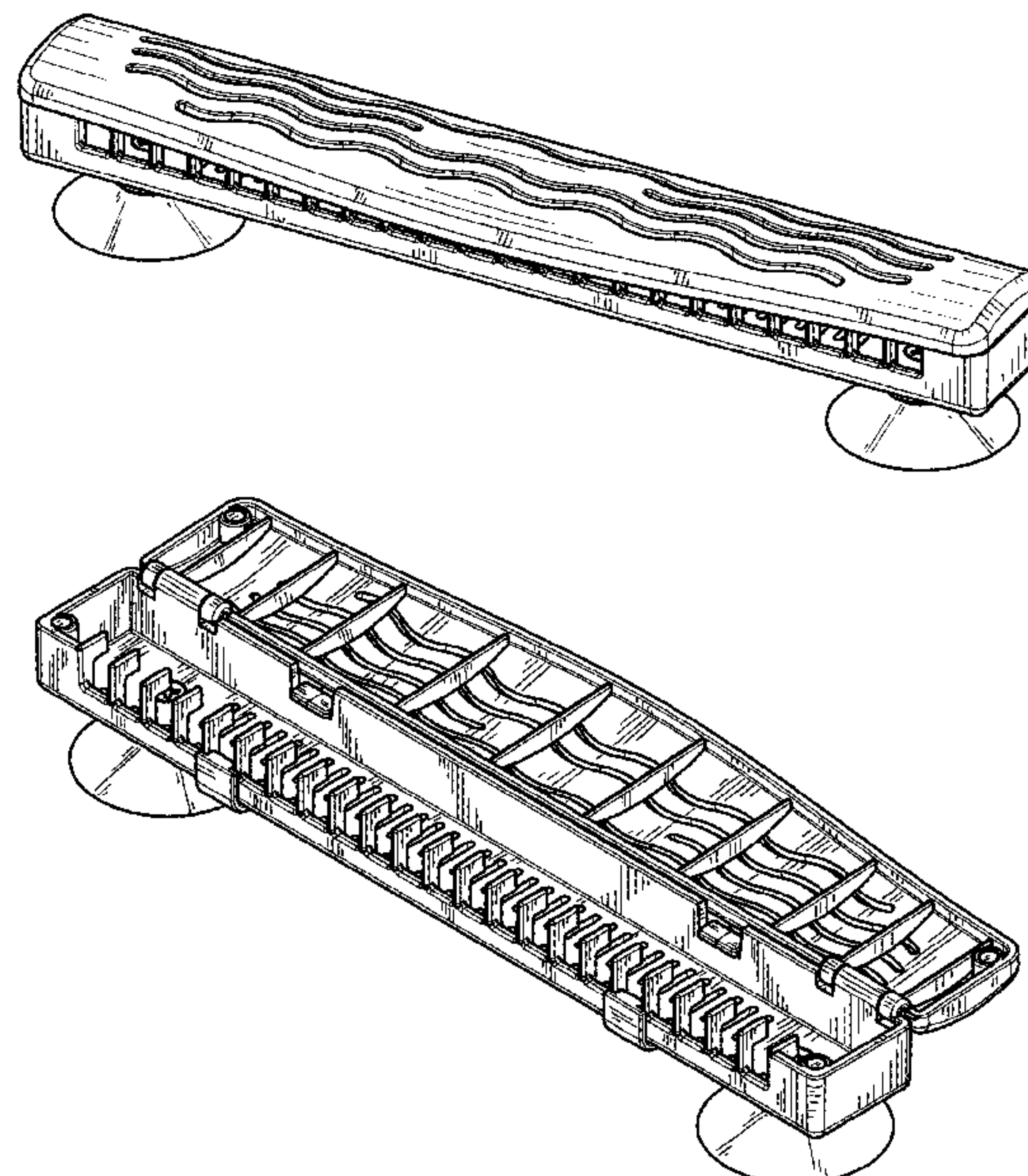
Primary Examiner — Jennifer Rivard

(57) **CLAIM**
The ornamental design for a hair extension holder, as shown.

DESCRIPTION

FIG. 1 depicts a front isometric view of the hair extension holder.
 FIG. 2 depicts a front open isometric view of the hair extension holder.
 FIG. 3 depicts a top open view of the hair extension holder.
 FIG. 4 depicts a bottom closed view of the hair extension holder.
 FIG. 5 depicts a top closed view of the hair extension holder.
 FIG. 6 depicts a rear closed view of the hair extension holder.
 FIG. 7 depicts a right side closed view of the hair extension holder.
 FIG. 8 depicts a front closed view of the hair extension holder; and,
 FIG. 9 depicts a rear open isometric view of the hair extension holder.

1 Claim, 9 Drawing Sheets



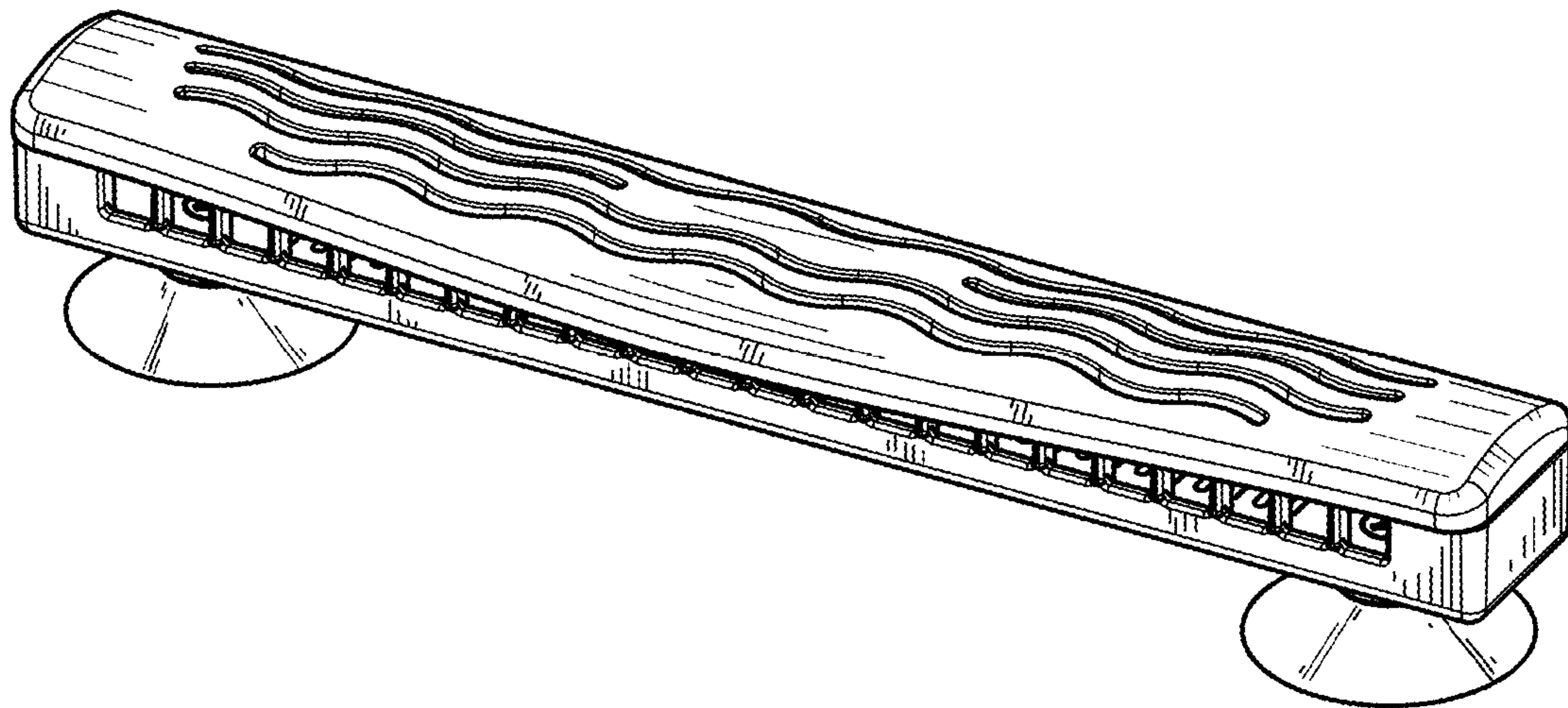


FIG. 1

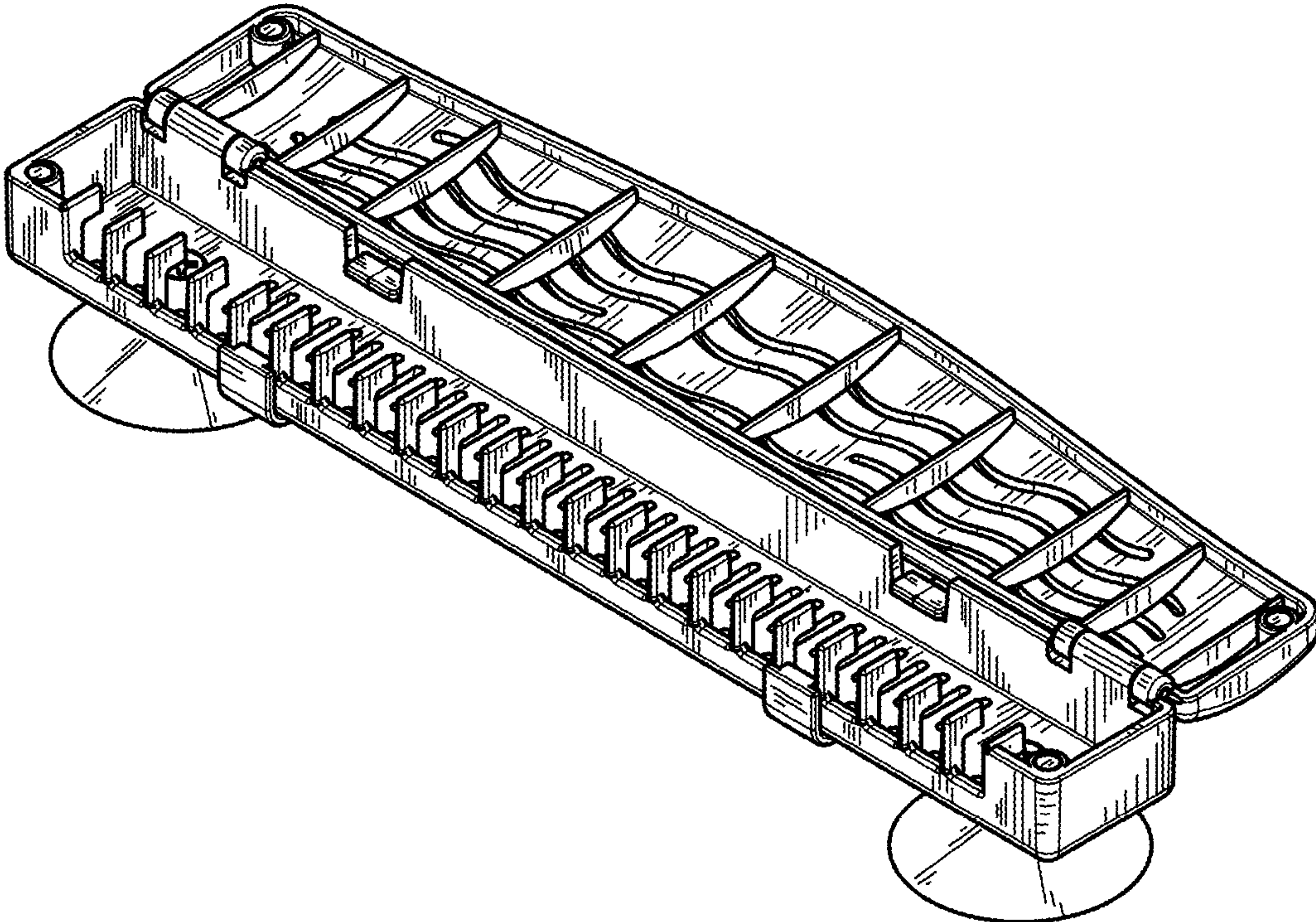


FIG. 2

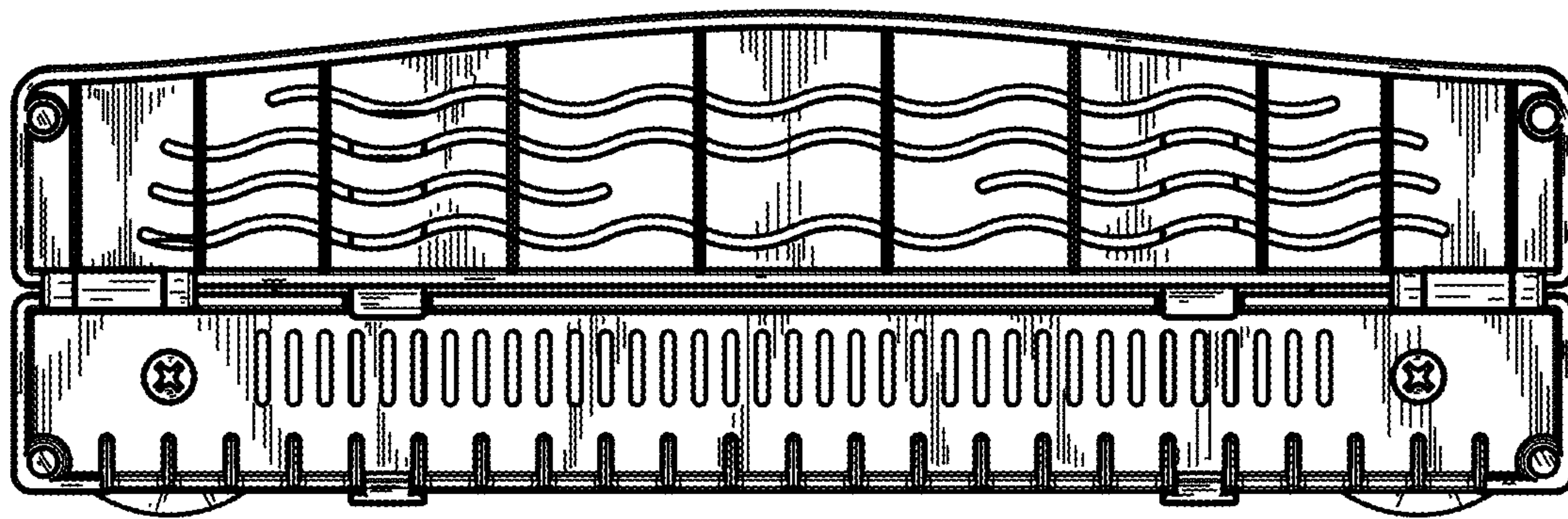


FIG. 3

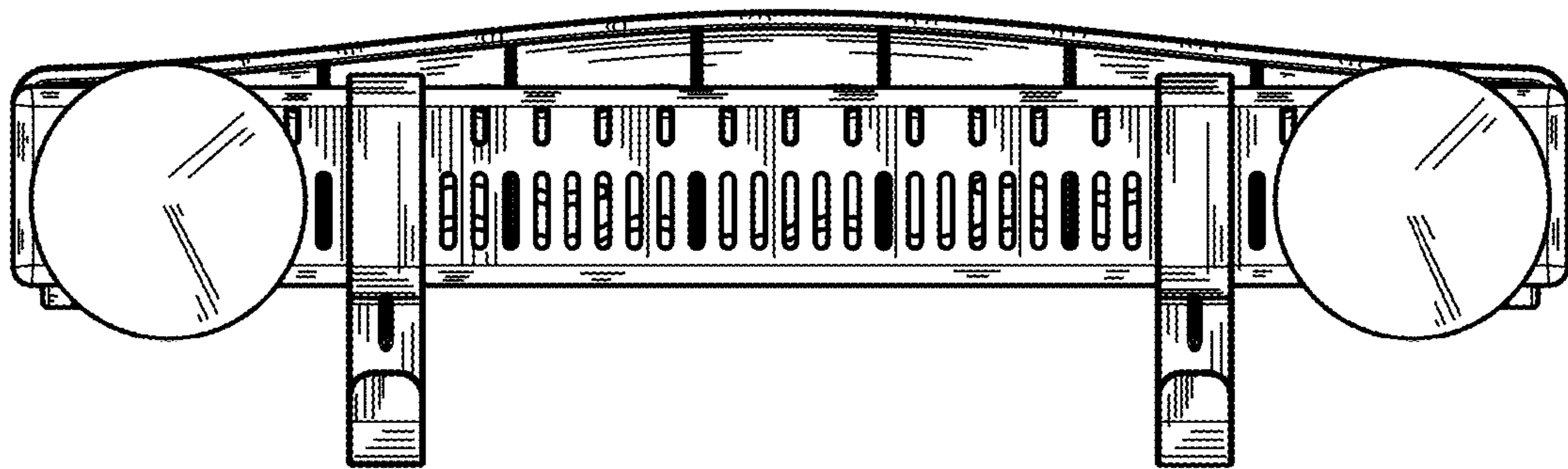


FIG. 4

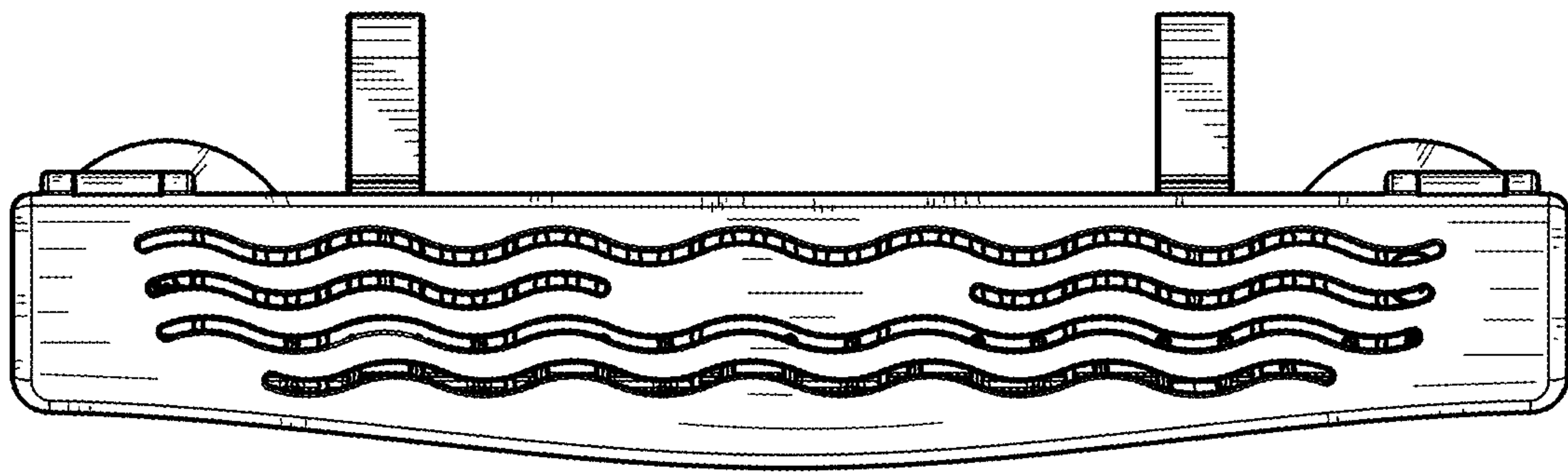


FIG. 5

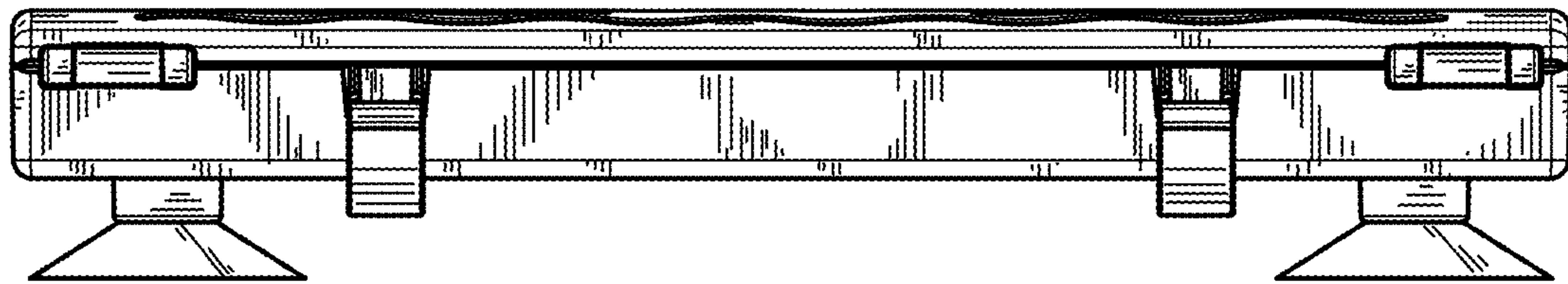


FIG. 6

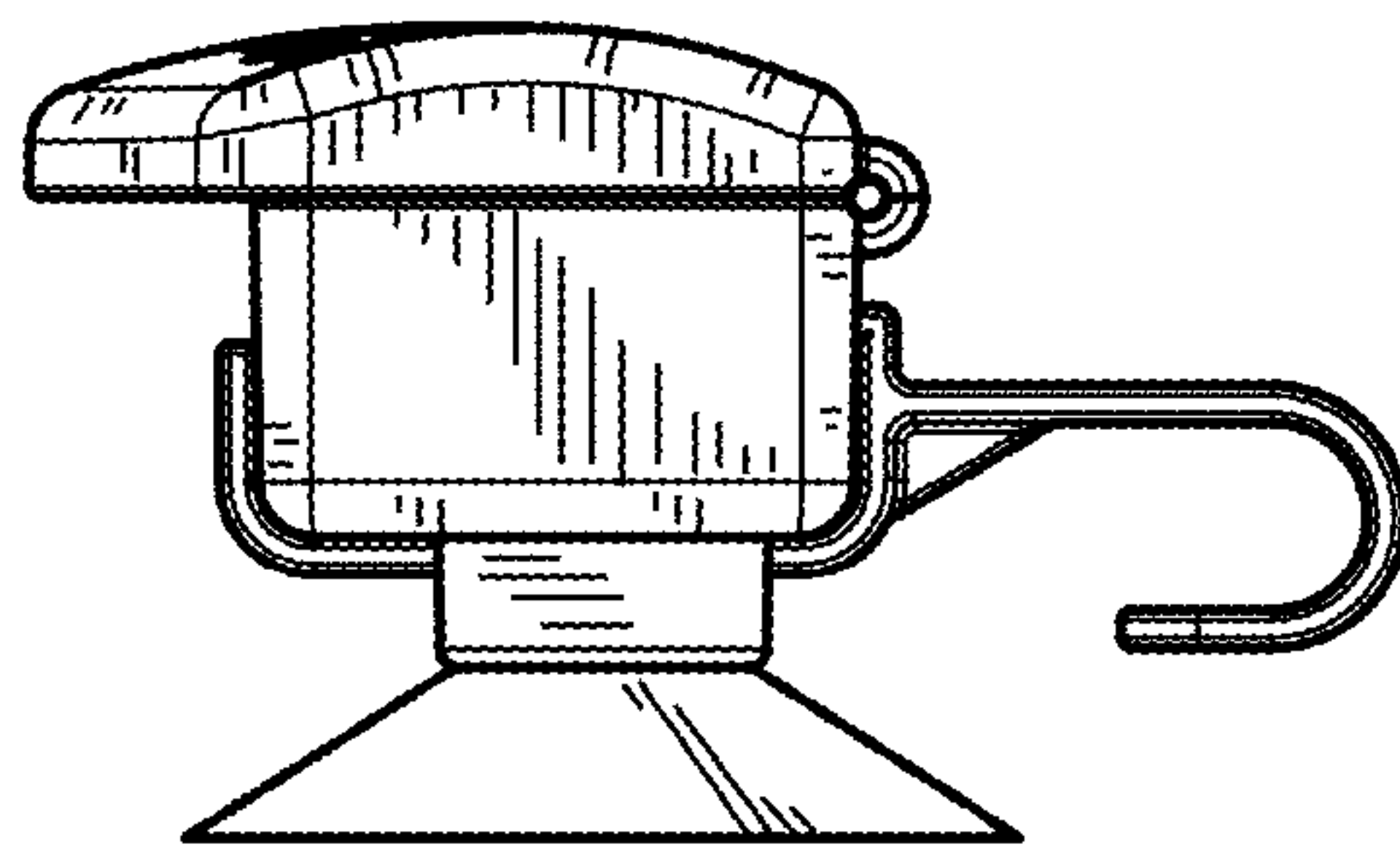


FIG. 7

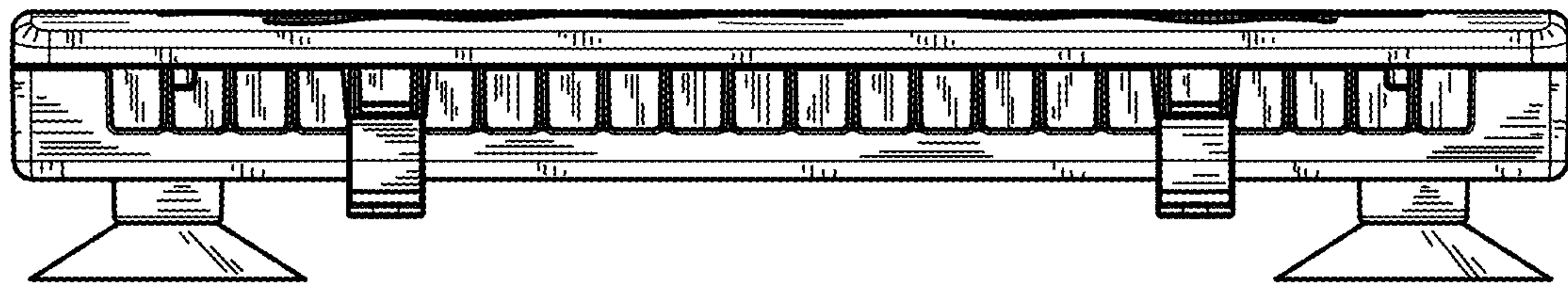


FIG. 8

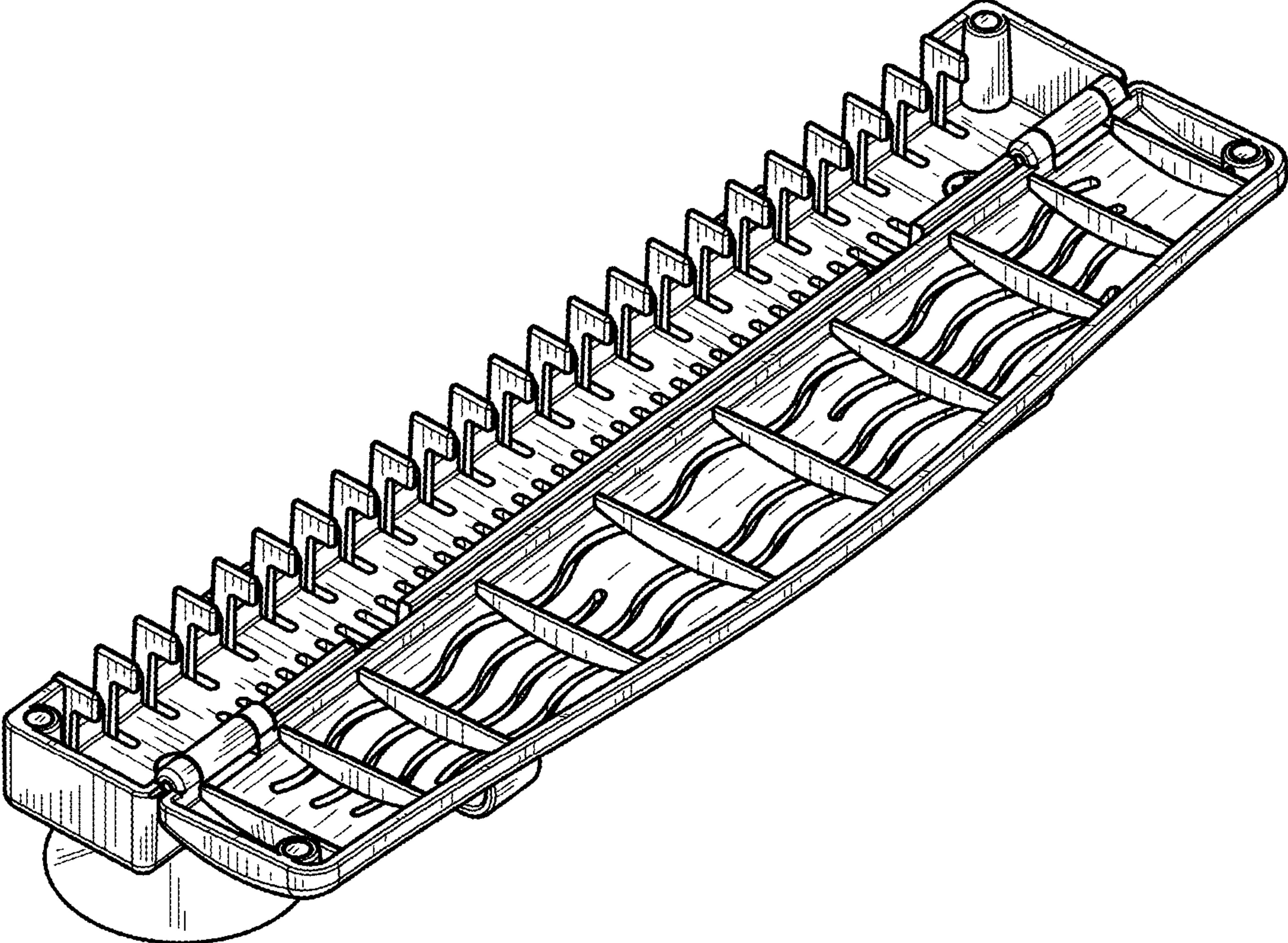


FIG. 9