



US00D768336S

(12) **United States Design Patent**
Schlatter et al.

(10) **Patent No.:** **US D768,336 S**
(45) **Date of Patent:** **** Oct. 4, 2016**

(54) **LIP BALM CONTAINER**

(71) Applicant: **ORALABS, INC.**, Parker, CO (US)

(72) Inventors: **Gary Schlatter**, Englewood, CO (US);
Chris Turner, Parker, CO (US)

(**) Term: **14 Years**

(21) Appl. No.: **29/525,094**

(22) Filed: **Apr. 27, 2015**

(51) **LOC (10) Cl.** **28-03**

(52) **U.S. Cl.**

USPC **D28/88**

(58) **Field of Classification Search**

USPC D28/79, 85-90

CPC A45D 2040/0025-2040/0062; A45D

2040/0012; A45D 40/02-40/065; A45D

40/10-40/12; A45D 40/14; A45D 40/18;

A45D 2200/00-2200/053

See application file for complete search history.

(56) **References Cited**

U.S. PATENT DOCUMENTS

D539,985 S * 4/2007 Koch D28/90

D655,867 S * 3/2012 Allen D28/88

D682,477 S * 5/2013 Chen D28/89

OTHER PUBLICATIONS

Dior lipstick, accessed Mar. 16, 2016, www.dior.com, 1 page.*

* cited by examiner

Primary Examiner — Jennifer Rivard

(74) *Attorney, Agent, or Firm* — Welsh Flaxman & Gitler LLC

(57) **CLAIM**

The ornamental design for a lip balm container, as shown and described.

DESCRIPTION

FIG. 1 is a front perspective view of the lip balm container with an opaque cover.

FIG. 2 is a side view of the lip balm container shown in FIG. 1 all other side views are identical.

FIG. 3 is a top view of the lip balm container shown in FIG. 1.

FIG. 4 is a bottom view of the lip balm container shown in FIG. 1.

FIG. 5 is an exploded view of the lip balm container shown in FIG. 1.

FIG. 6 is a front perspective view of the lip balm container with a clear cover.

FIG. 7 is a side view of the lip balm container shown in FIG. 6 all other side views are identical.

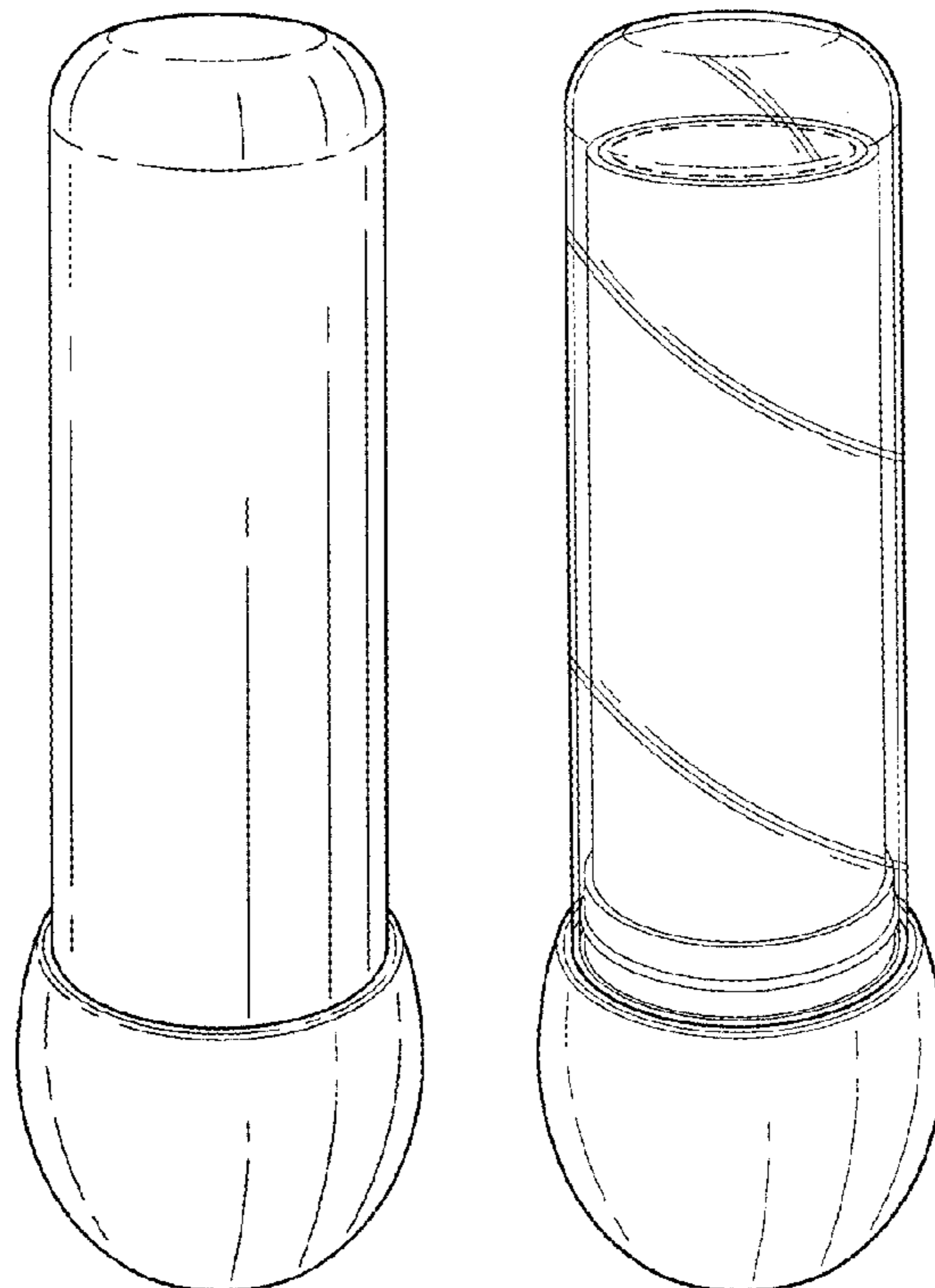
FIG. 8 is a top view of the lip balm container shown in FIG. 6.

FIG. 9 is a bottom view of the lip balm container shown in FIG. 6; and,

FIG. 10 is an exploded view of the lip balm container shown in FIG. 6.

The broken lines illustrate the bounds of the claim and form no part of the claimed design.

1 Claim, 4 Drawing Sheets



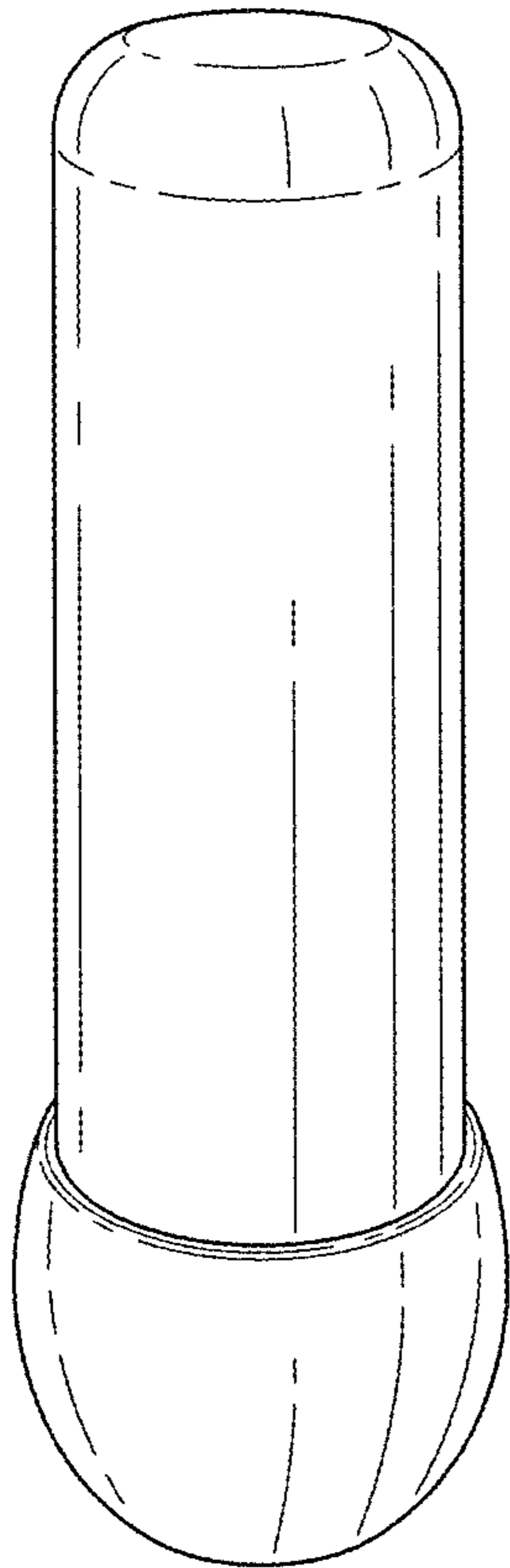


FIG. 1

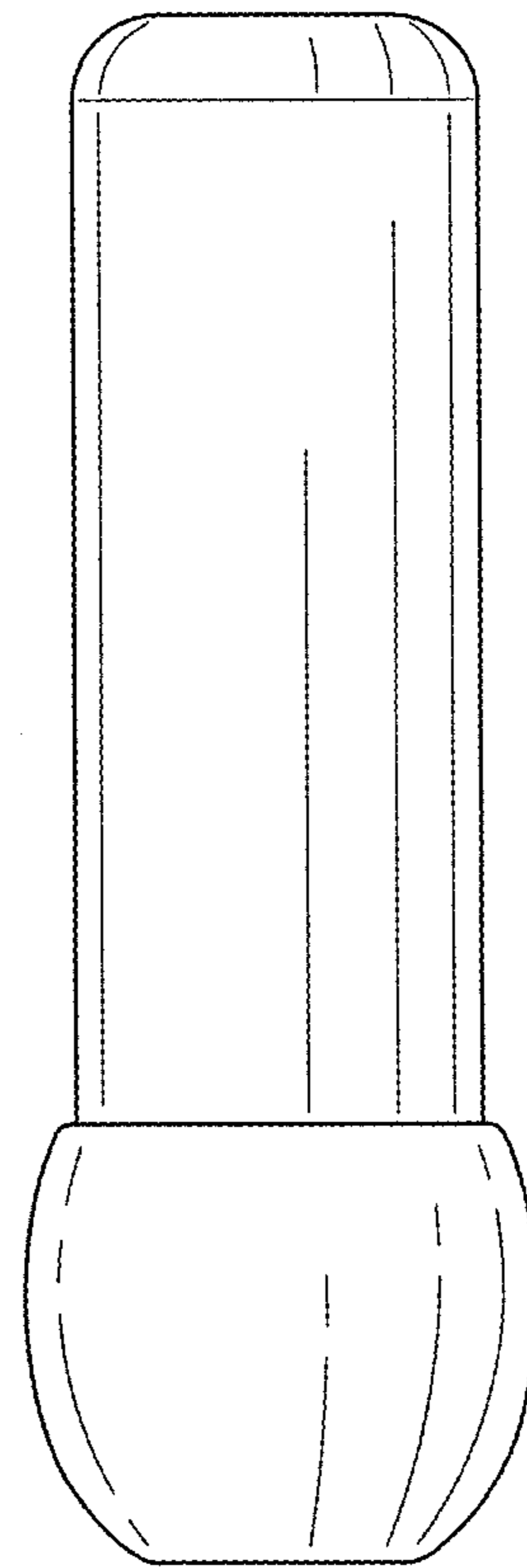


FIG. 2

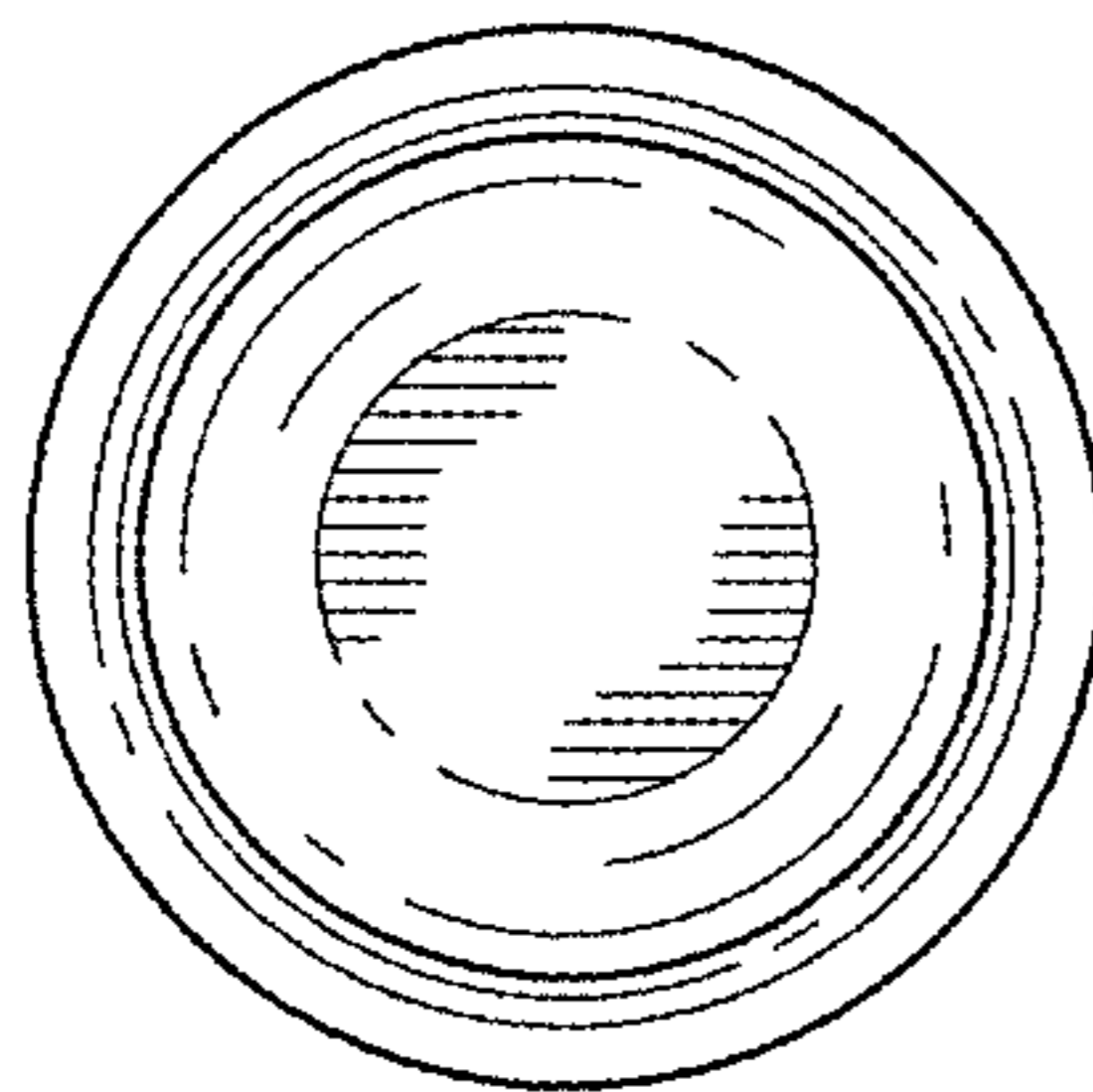


FIG. 3

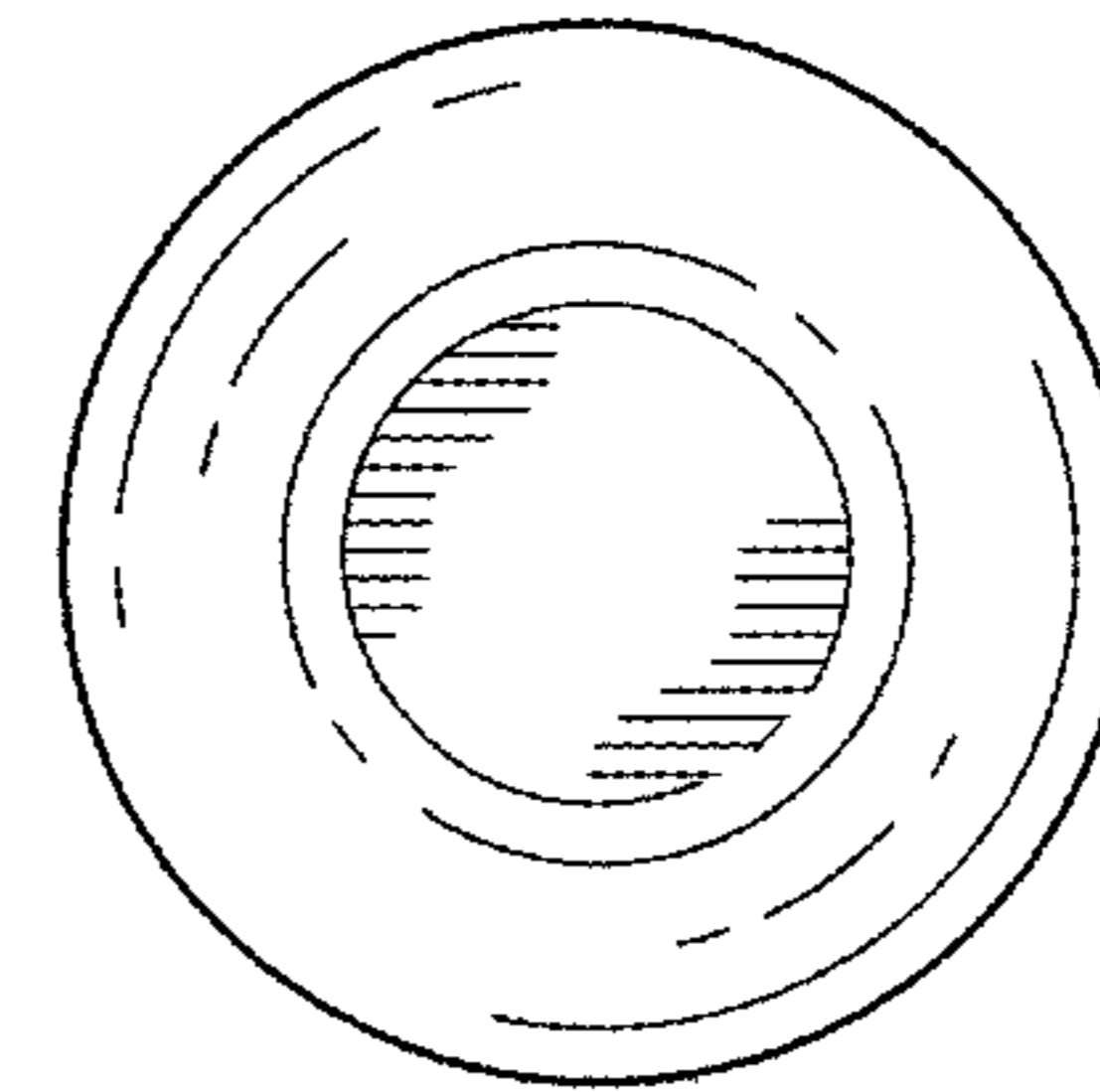
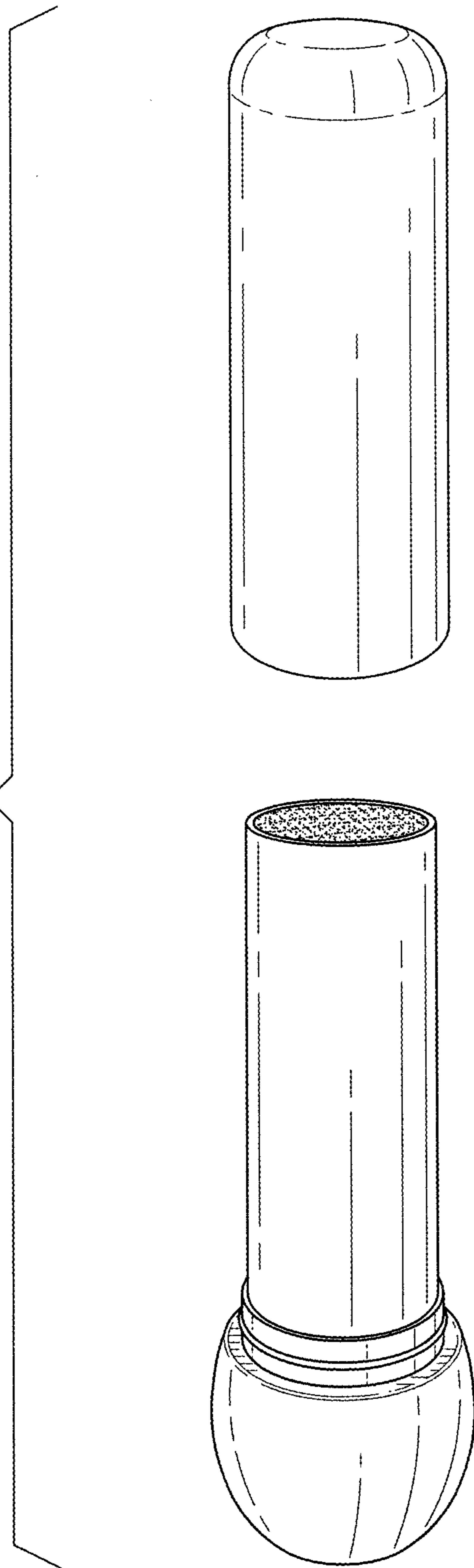


FIG. 4

FIG. 5



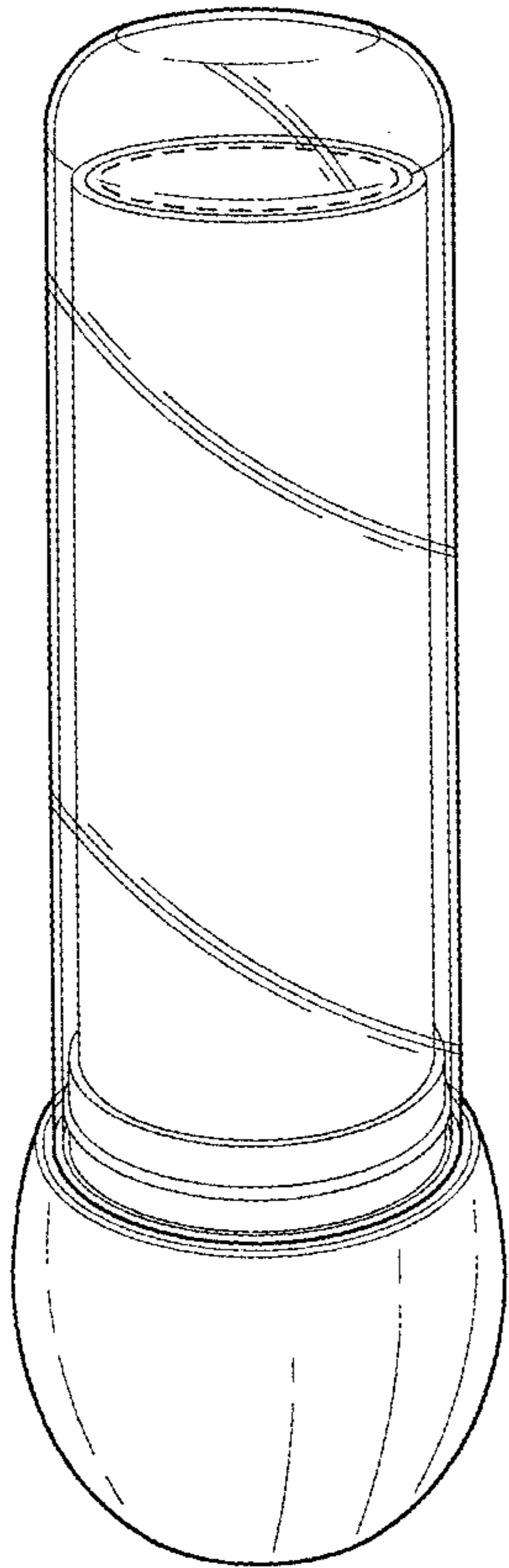


FIG. 6

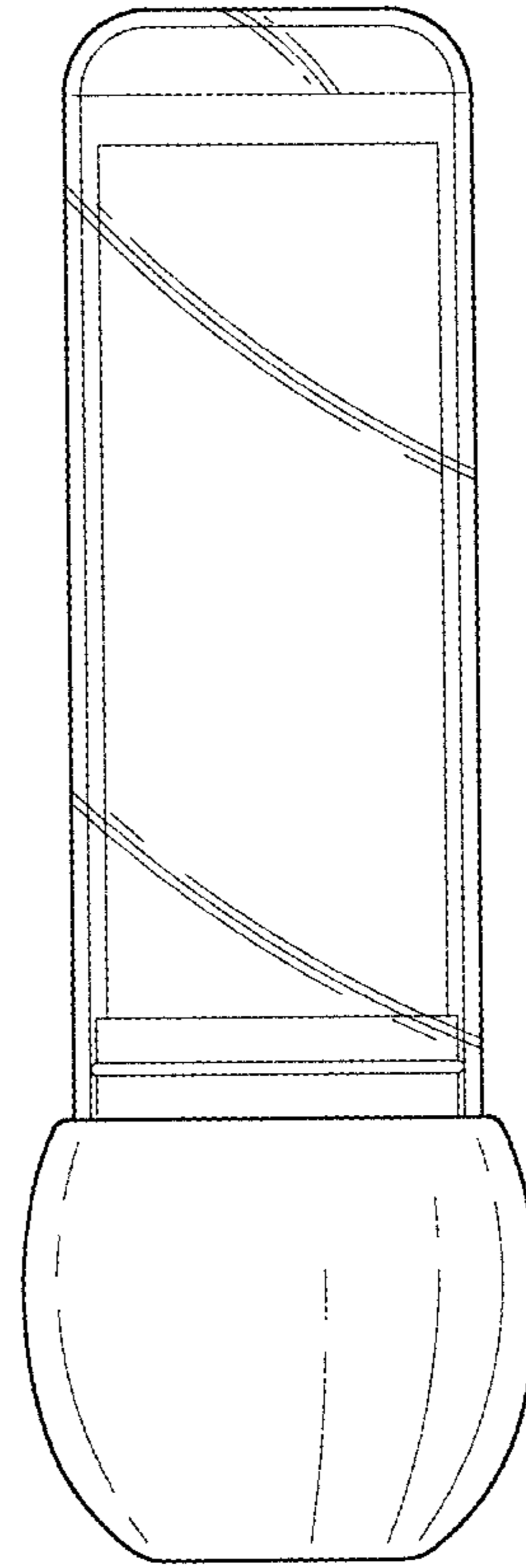


FIG. 7

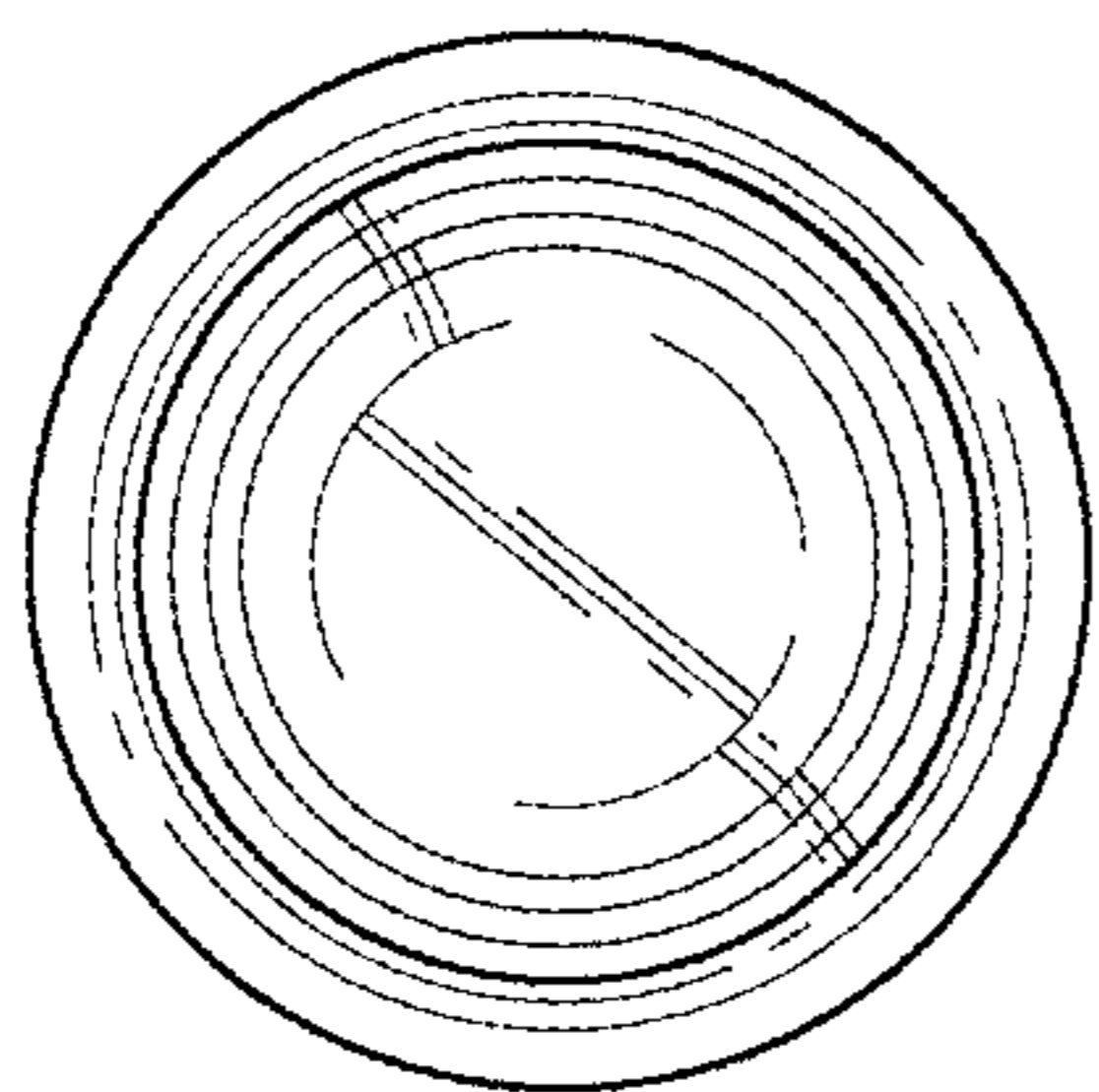


FIG. 8

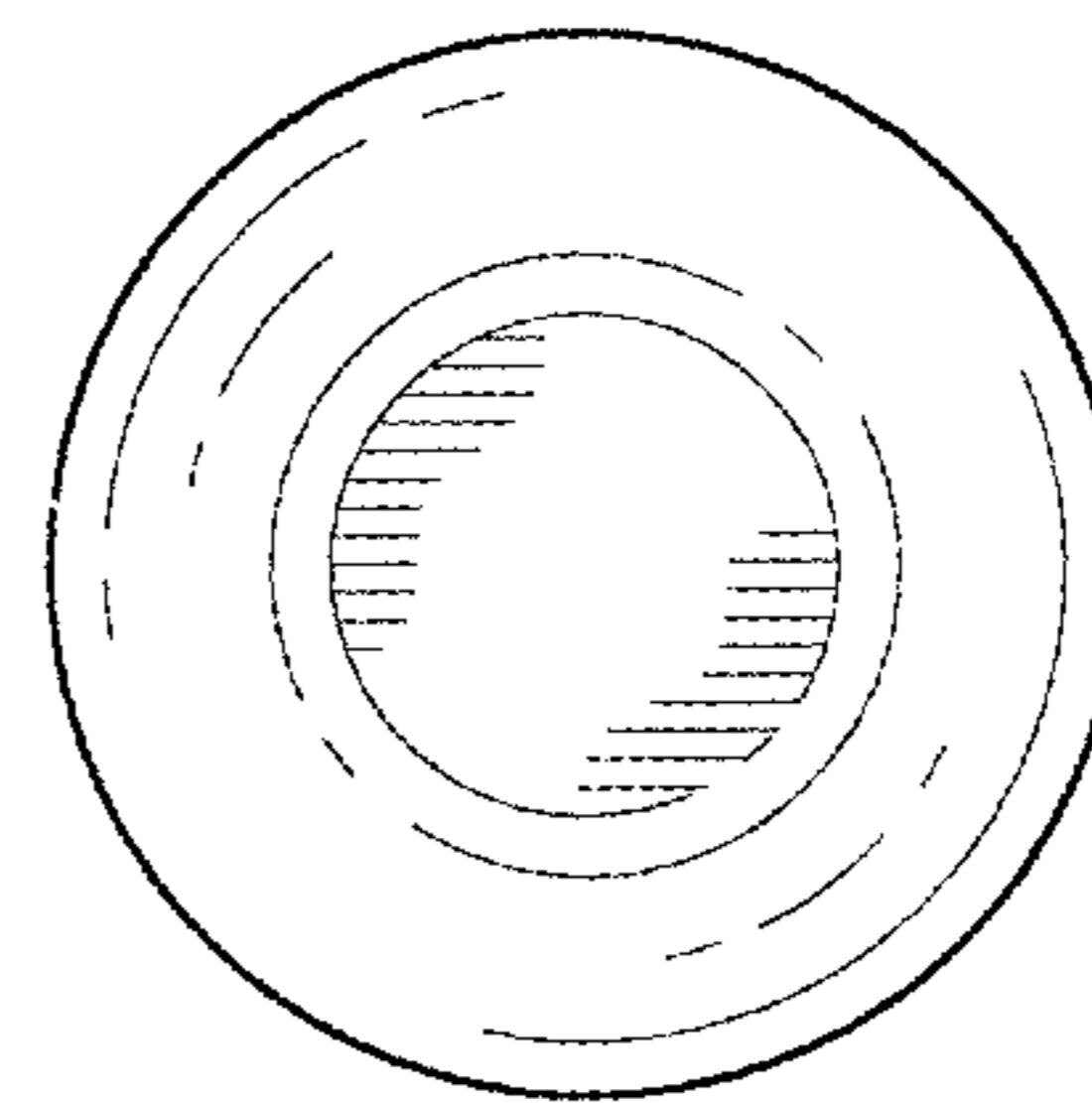


FIG. 9

FIG. 10

