



US00D768335S

(12) **United States Design Patent**
Parker

(10) **Patent No.:** **US D768,335 S**

(45) **Date of Patent:** **** Oct. 4, 2016**

(54) **COSMETIC COMPACT CASE**

(71) Applicant: **Philippe Oliver Parker**, Zetjun (MT)

(72) Inventor: **Philippe Oliver Parker**, Zetjun (MT)

(**) Term: **14 Years**

(21) Appl. No.: **29/506,568**

(22) Filed: **Oct. 17, 2014**

(30) **Foreign Application Priority Data**

Sep. 5, 2014 (EM) 002532564-0005

(51) **LOC (10) Cl.** **28-03**

(52) **U.S. Cl.**
USPC **D28/83**

(58) **Field of Classification Search**
USPC D28/76-84
CPC A45D 33/00-33/003; A45D 33/006;
A45D 33/008; A45D 33/02; A45D 33/025;
A45D 33/06-33/10; A45D 33/16; A45D
33/18; A45D 33/20; A45D 33/22; A45D
33/24; A45D 33/26; A45D 33/28; A45D
40/00; A45D 40/22-40/24; A45D 40/0075
See application file for complete search history.

(56) **References Cited**

U.S. PATENT DOCUMENTS

D291,609 S * 8/1987 Bakic D28/83
D682,474 S * 5/2013 Owen D28/83

D682,475 S * 5/2013 Owen D28/83
D687,186 S * 7/2013 Lai D28/83
D687,187 S * 7/2013 Lai D28/83
D687,188 S * 7/2013 Lai D28/83
D721,856 S * 1/2015 Villarreal D28/83
D722,205 S * 2/2015 Parker D28/83
D722,406 S * 2/2015 Greenfield D28/83

* cited by examiner

Primary Examiner — Jennifer Rivard

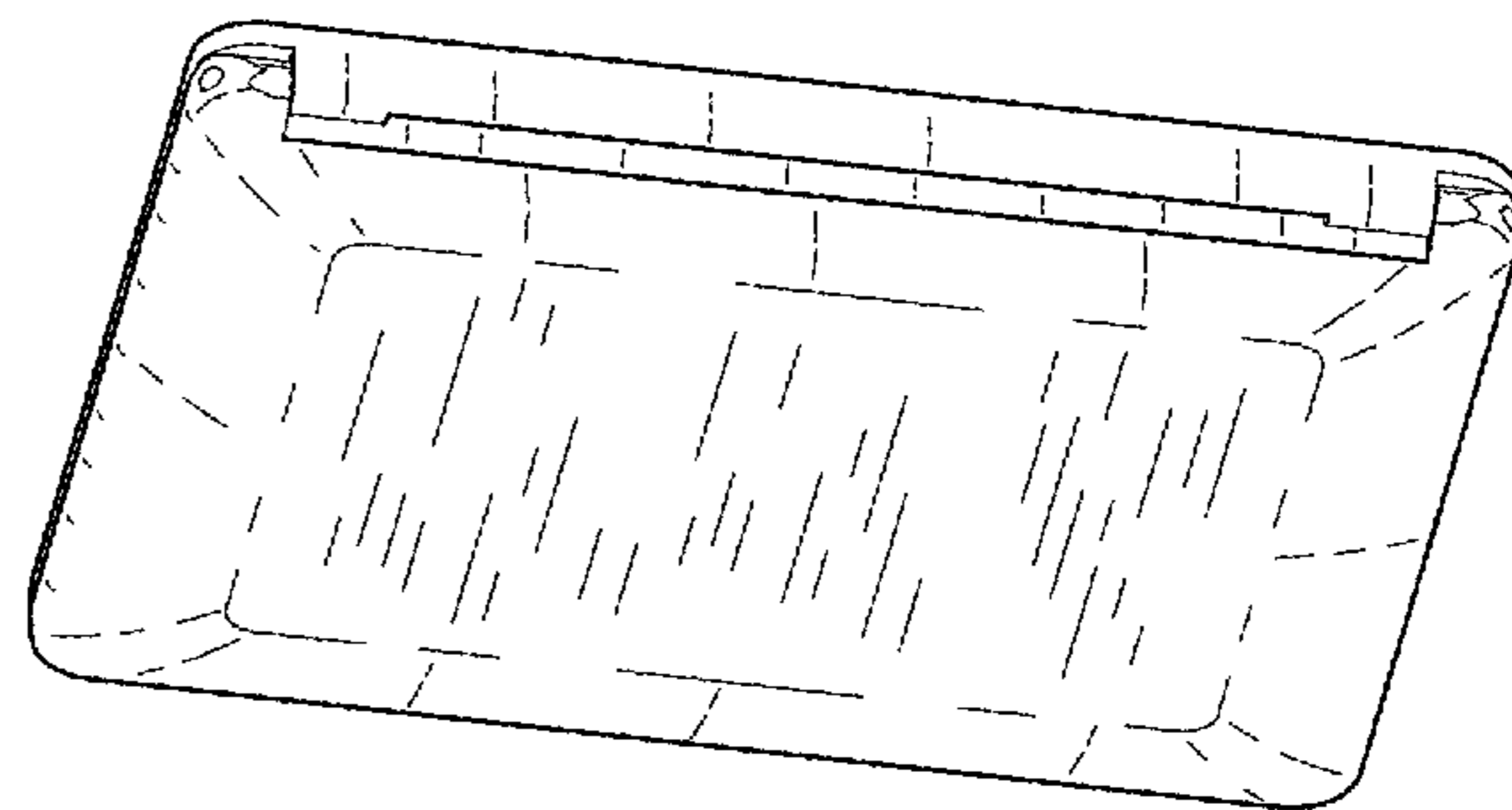
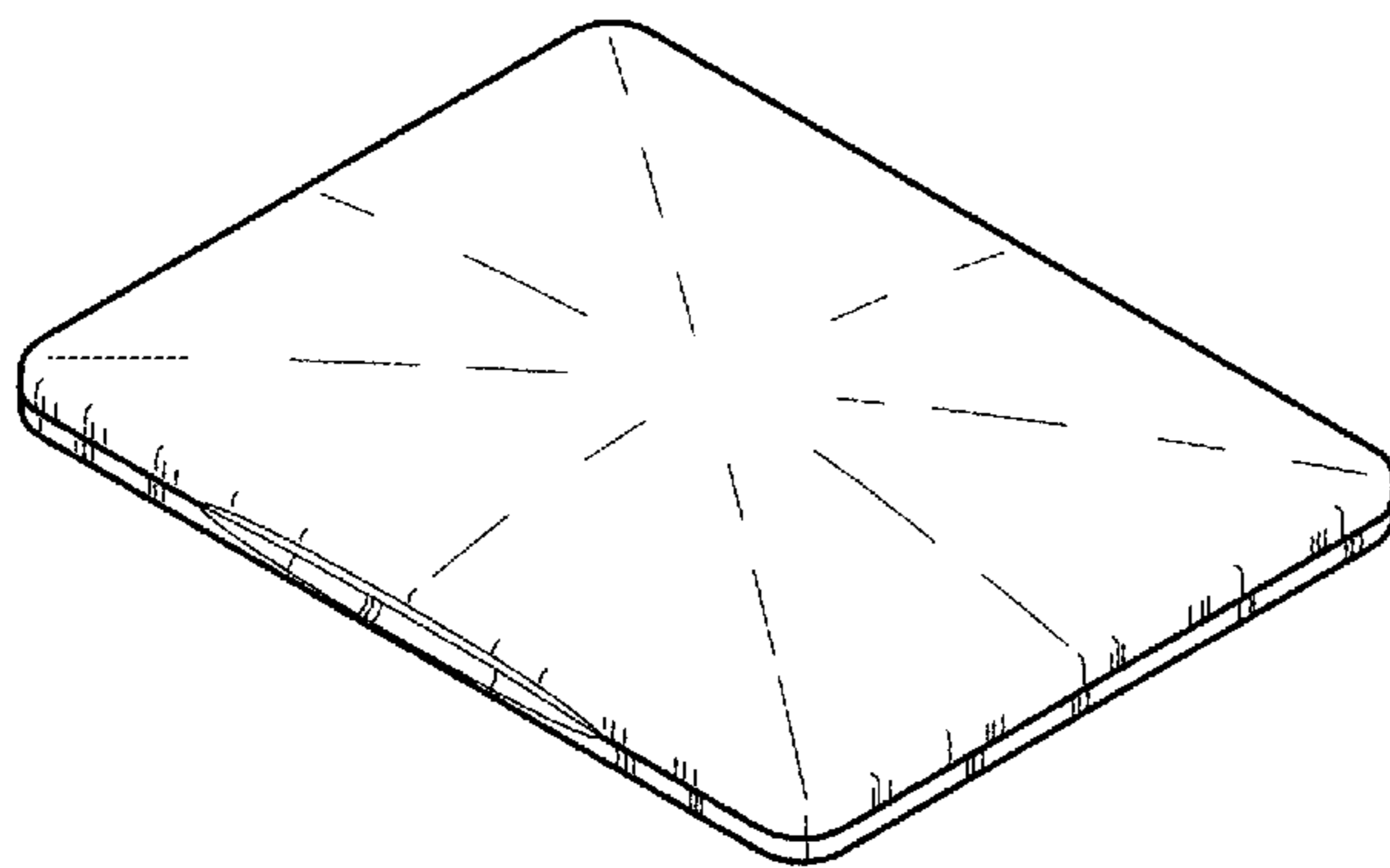
(57) **CLAIM**

I, claim the ornamental design for a cosmetic compact case, as shown and described.

DESCRIPTION

FIG. 1 is a top plan view of a cosmetic compact case showing my new design.
FIG. 2 is a bottom plan view thereof.
FIG. 3 is a perspective top view thereof.
FIG. 4 is a front elevation view thereof.
FIG. 5 is a rear elevation view thereof.
FIG. 6 is a right side elevation view thereof.
FIG. 7 is a left side elevation view thereof.
FIG. 8 is a bottom rear perspective view thereof; and,
FIG. 9 is an enlarged partial perspective view thereof.

1 Claim, 2 Drawing Sheets



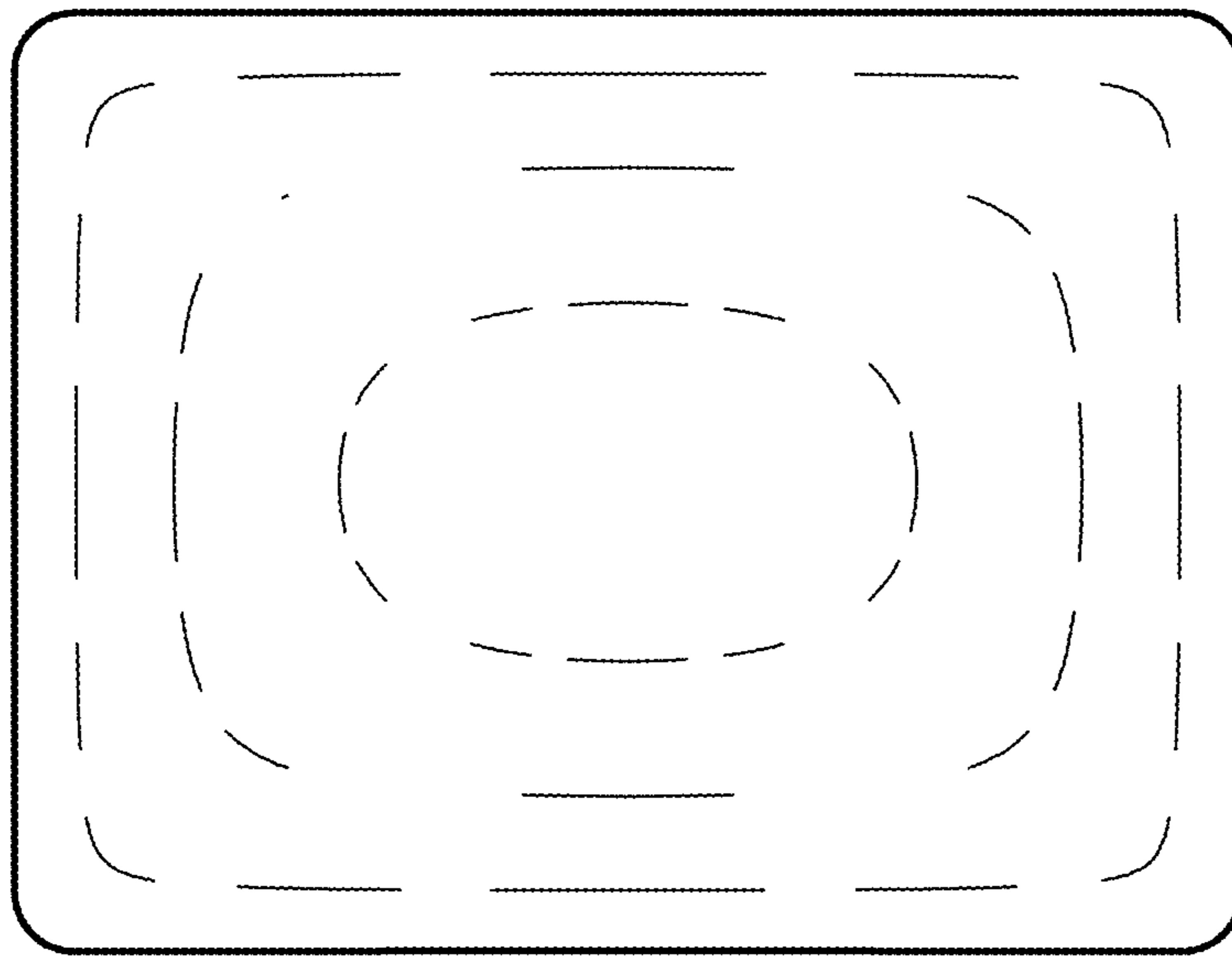


FIG. 1

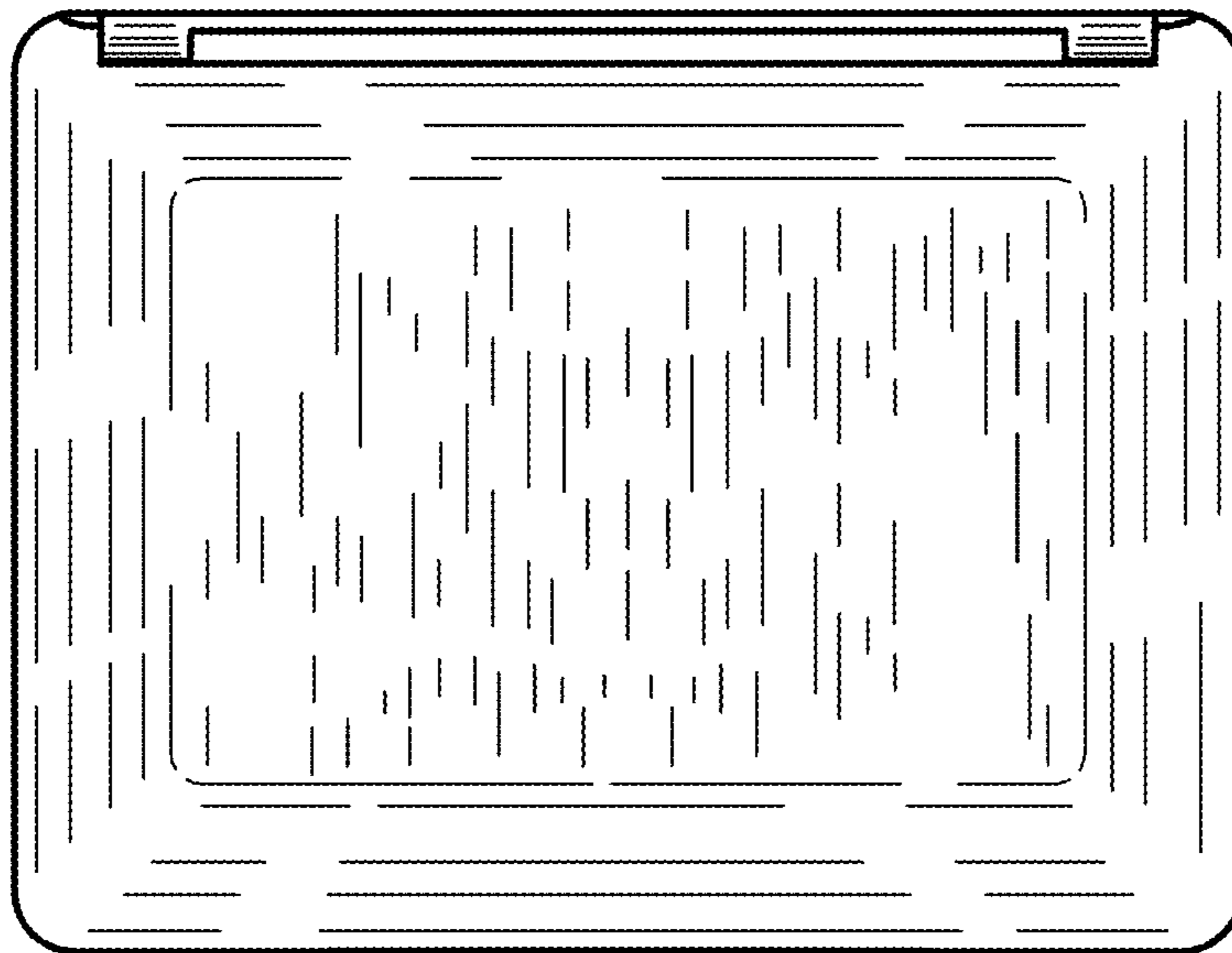


FIG. 2

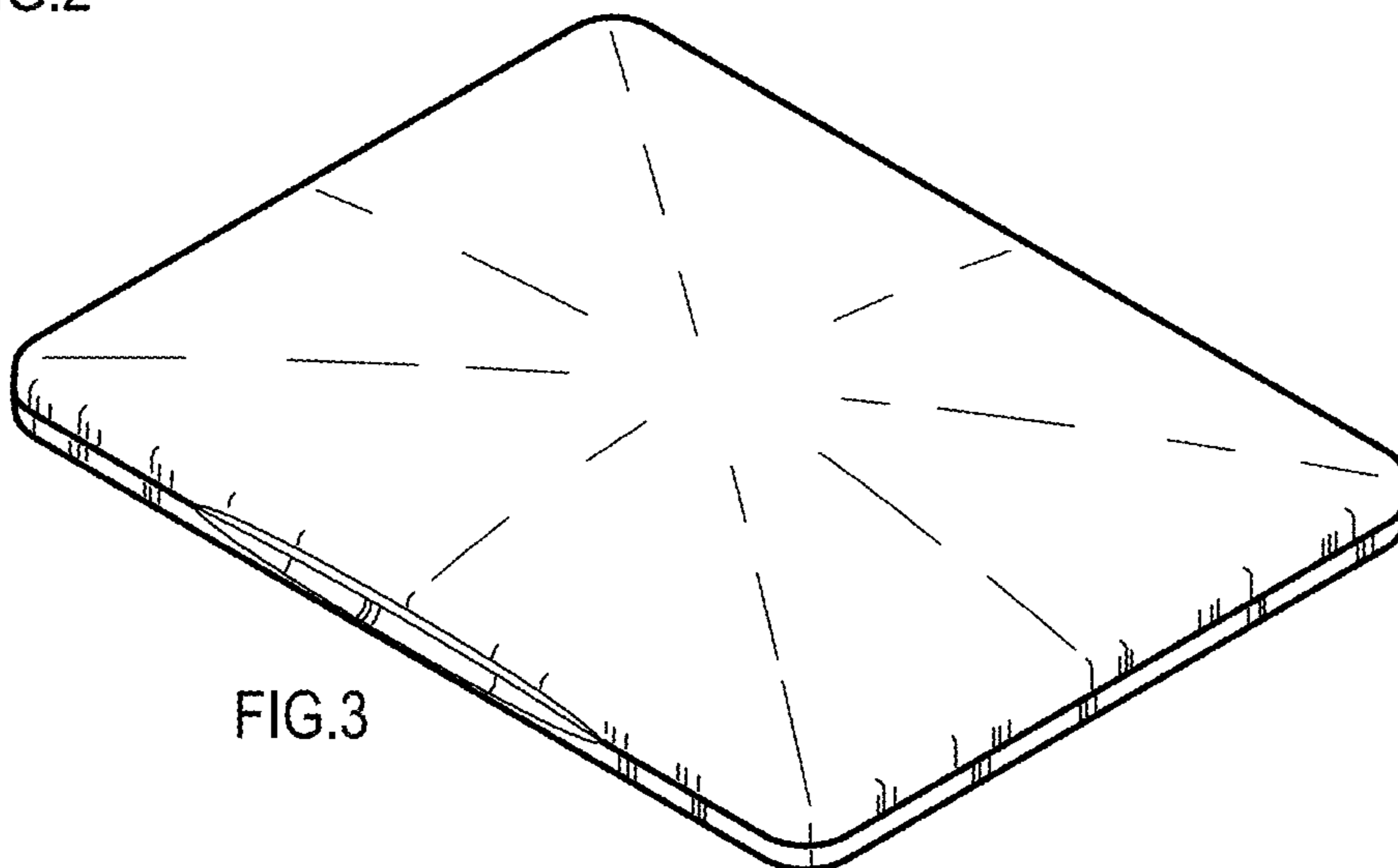


FIG. 3

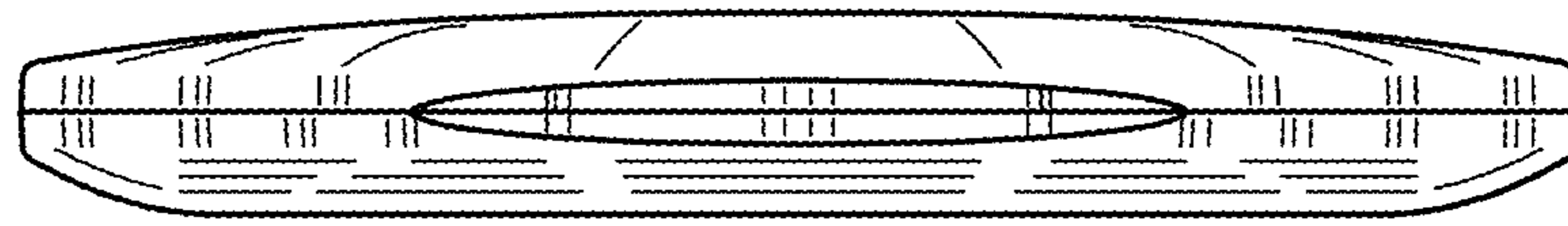


FIG. 4

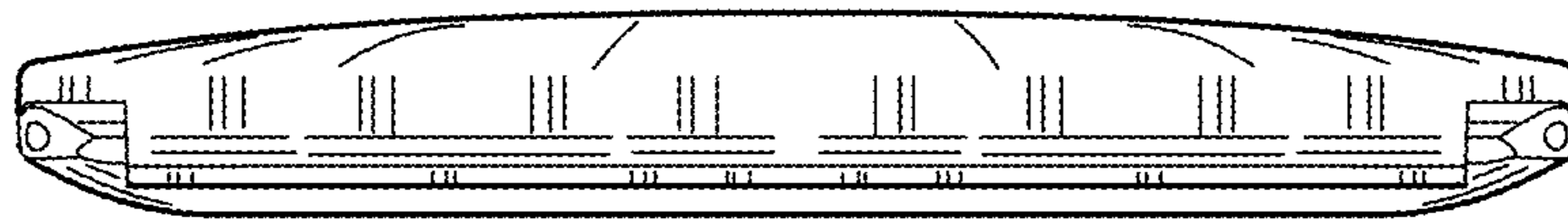


FIG. 5



FIG. 6



FIG. 7

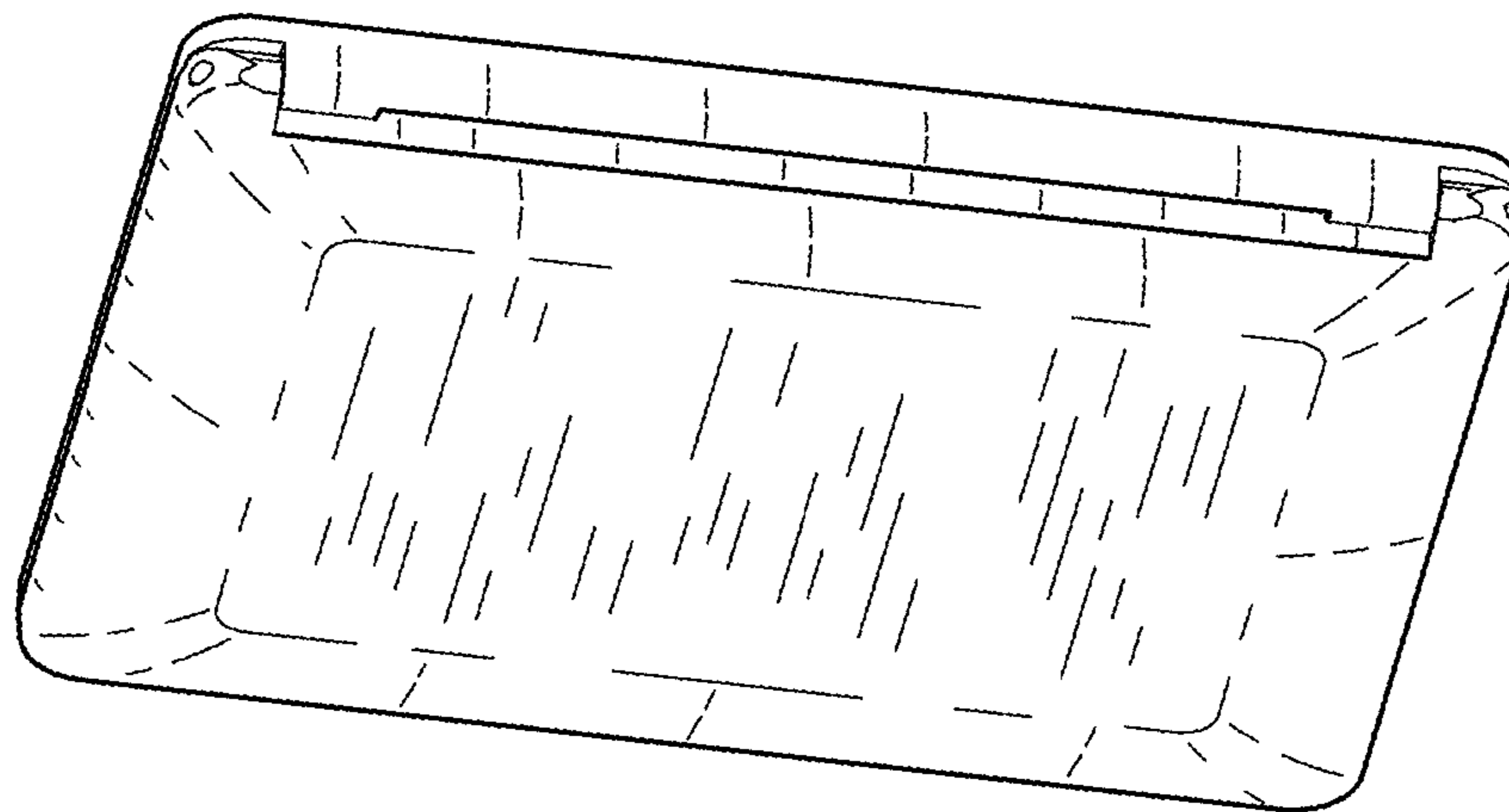


FIG. 8

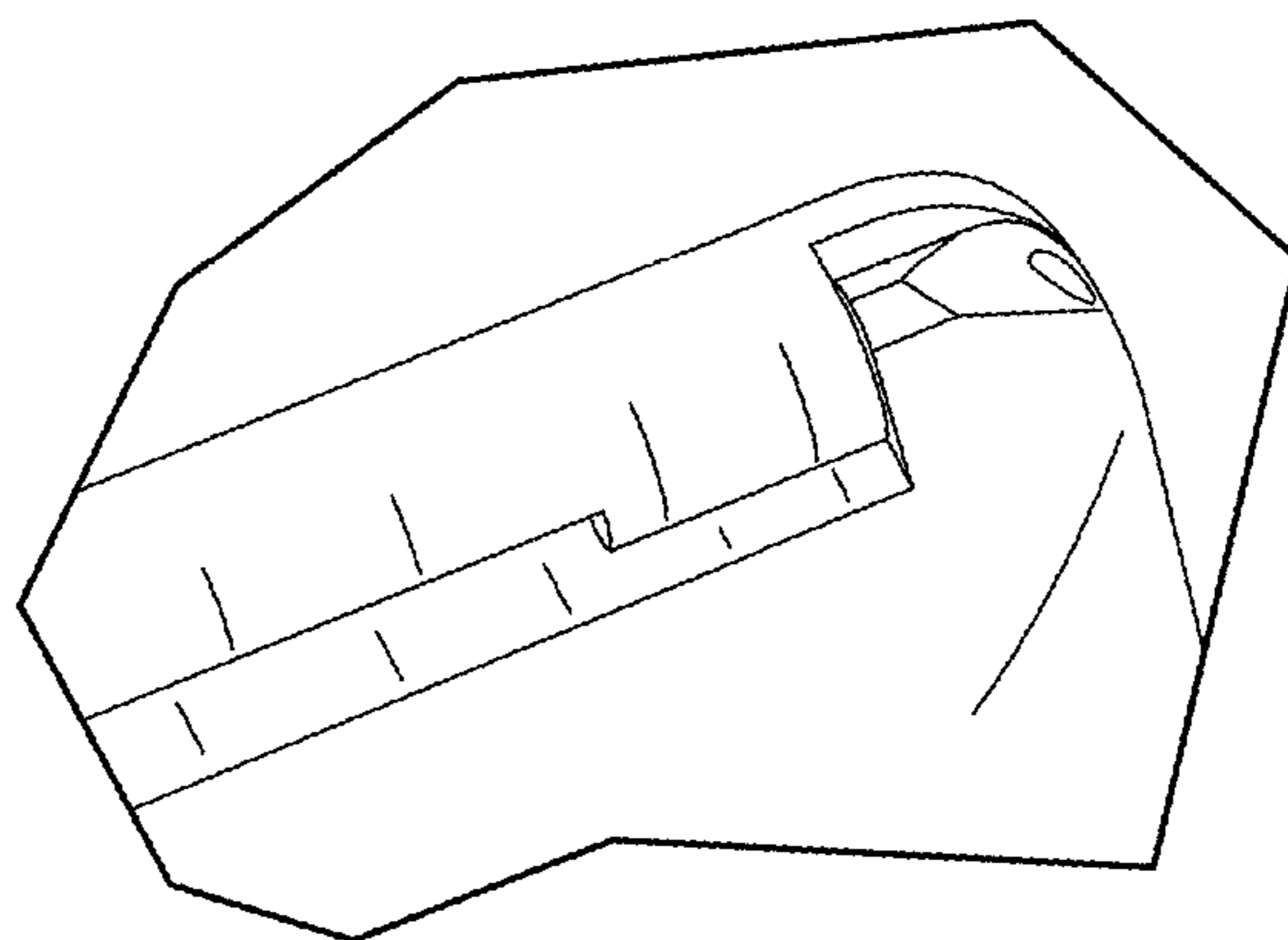


FIG. 9