



US00D768332S

(12) **United States Design Patent** (10) **Patent No.:** **US D768,332 S**
Esnard (45) **Date of Patent:** **** Oct. 4, 2016**

(54) **HAIR GROOMING GUIDE**
(71) Applicant: **Joshua Nickev Esnard**, Sunrise, FL (US)
(72) Inventor: **Joshua Nickev Esnard**, Sunrise, FL (US)
(**) Term: **14 Years**
(21) Appl. No.: **29/523,084**
(22) Filed: **Apr. 6, 2015**
(51) **LOC (10) Cl.** **28-03**
(52) **U.S. Cl.**
USPC **D28/44.2**
(58) **Field of Classification Search**
USPC D28/9-10, 44.2
CPC A45D 24/36; A45D 27/42
See application file for complete search history.

2015/0265026 A1* 9/2015 Yeheskel A45D 24/36
132/214
2016/0015145 A1* 1/2016 Torres A45D 24/36
132/213

OTHER PUBLICATIONS

The beard bro-beard shaping tool for perfect lines & symmetry, www.Amazon.com, downloaded Aug. 1, 2016, 1 page.*
The Cut buddy—hair, beard & mustache—haircut lining/shaping/edging/trim template, www.Amazon.com, downloaded Aug. 1, 2016, 1 page—earliest review Mar. 2016.*

* cited by examiner

Primary Examiner — Jennifer Rivard
(74) *Attorney, Agent, or Firm* — Nancy J. Flint, Esq.;
Nancy J. Flint, Attorney At Law, P.A.

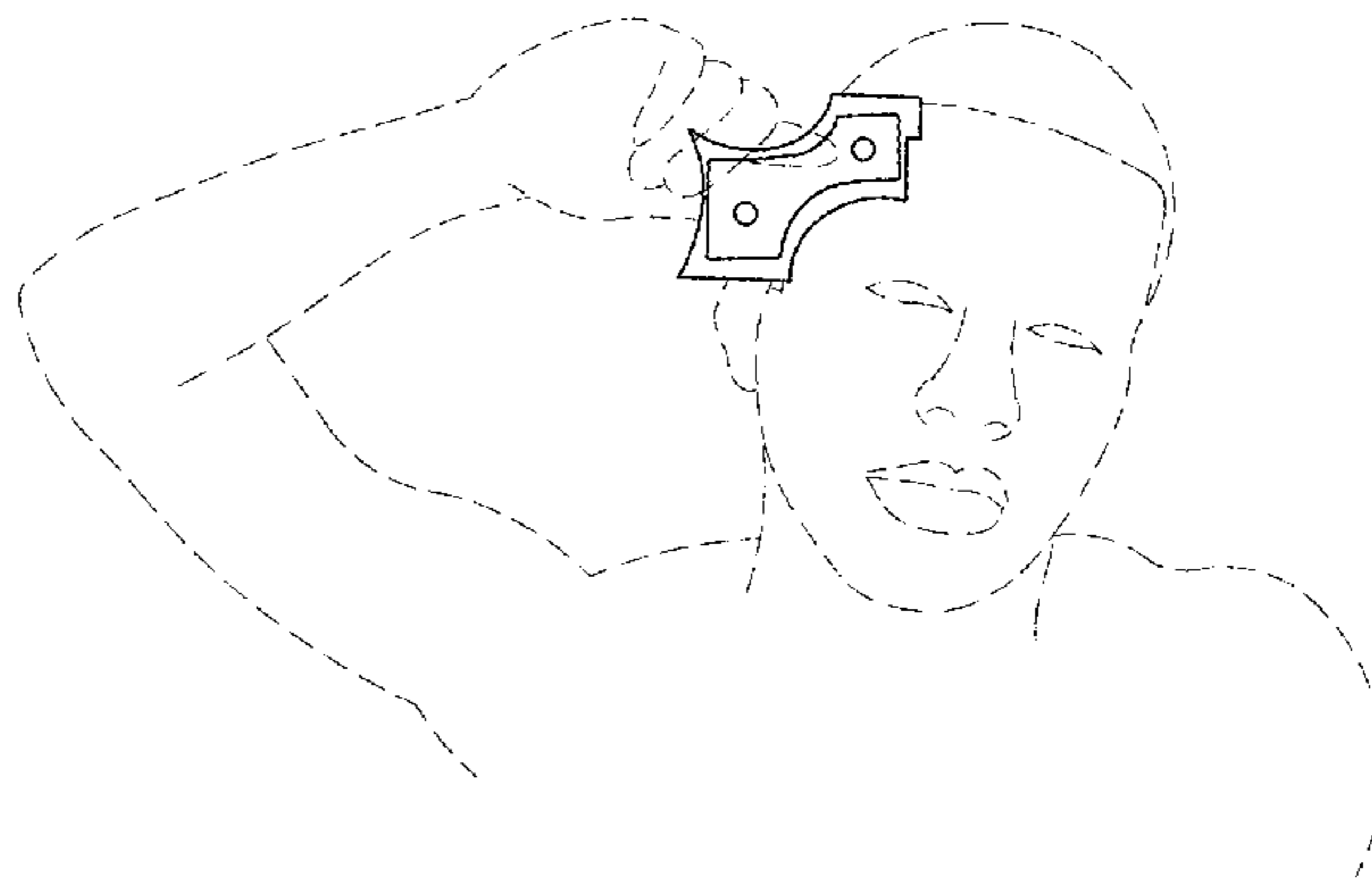
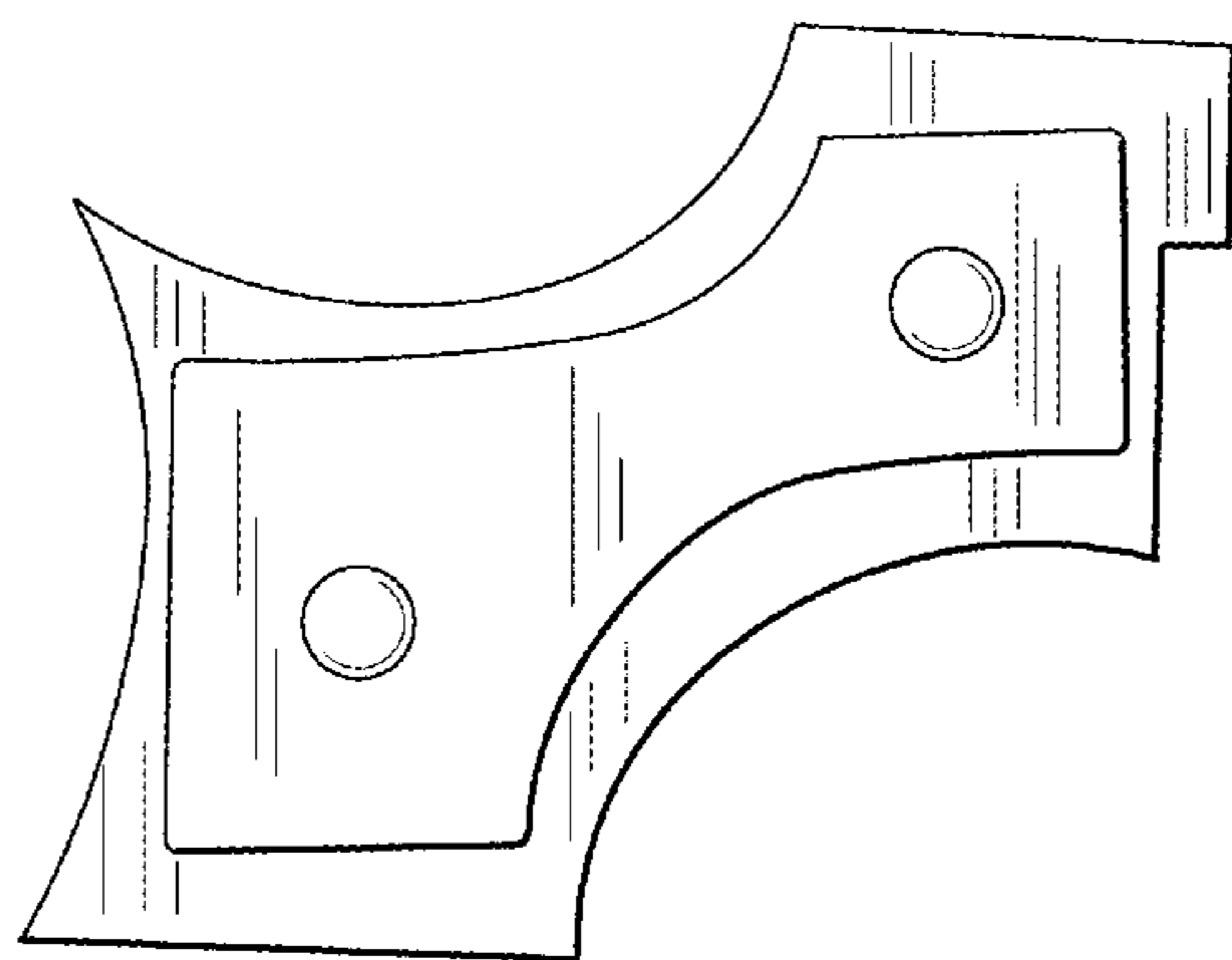
(57) **CLAIM**
The ornamental design for a hair grooming guide, as shown and described.

DESCRIPTION

FIG. 1 is a top view of a hair grooming guide showing my new design;
FIG. 2 is a bottom view of the hair grooming guide;
FIG. 3 is a front view of the hair grooming guide;
FIG. 4 is a rear view of the hair grooming guide;
FIG. 5 is a left side view of the hair grooming guide;
FIG. 6 is a right side view of the hair grooming guide; and,
FIG. 7 is a front view of the hair grooming guide as used.
Any broken lines illustrative of environmental structure in the drawings are not part of the design sought to be patented.

1 Claim, 3 Drawing Sheets

(56) **References Cited**
U.S. PATENT DOCUMENTS
5,427,122 A * 6/1995 Hamilton A45D 24/36
132/214
7,559,331 B2 * 7/2009 Ward A45D 24/36
132/214
D634,893 S * 3/2011 Brown D28/10
2009/0223530 A1 * 9/2009 Chapman A45D 27/42
132/200
2012/0234341 A1 * 9/2012 Kingery A45D 27/42
132/214
2013/0213429 A1 * 8/2013 Allen A45D 27/42
132/214



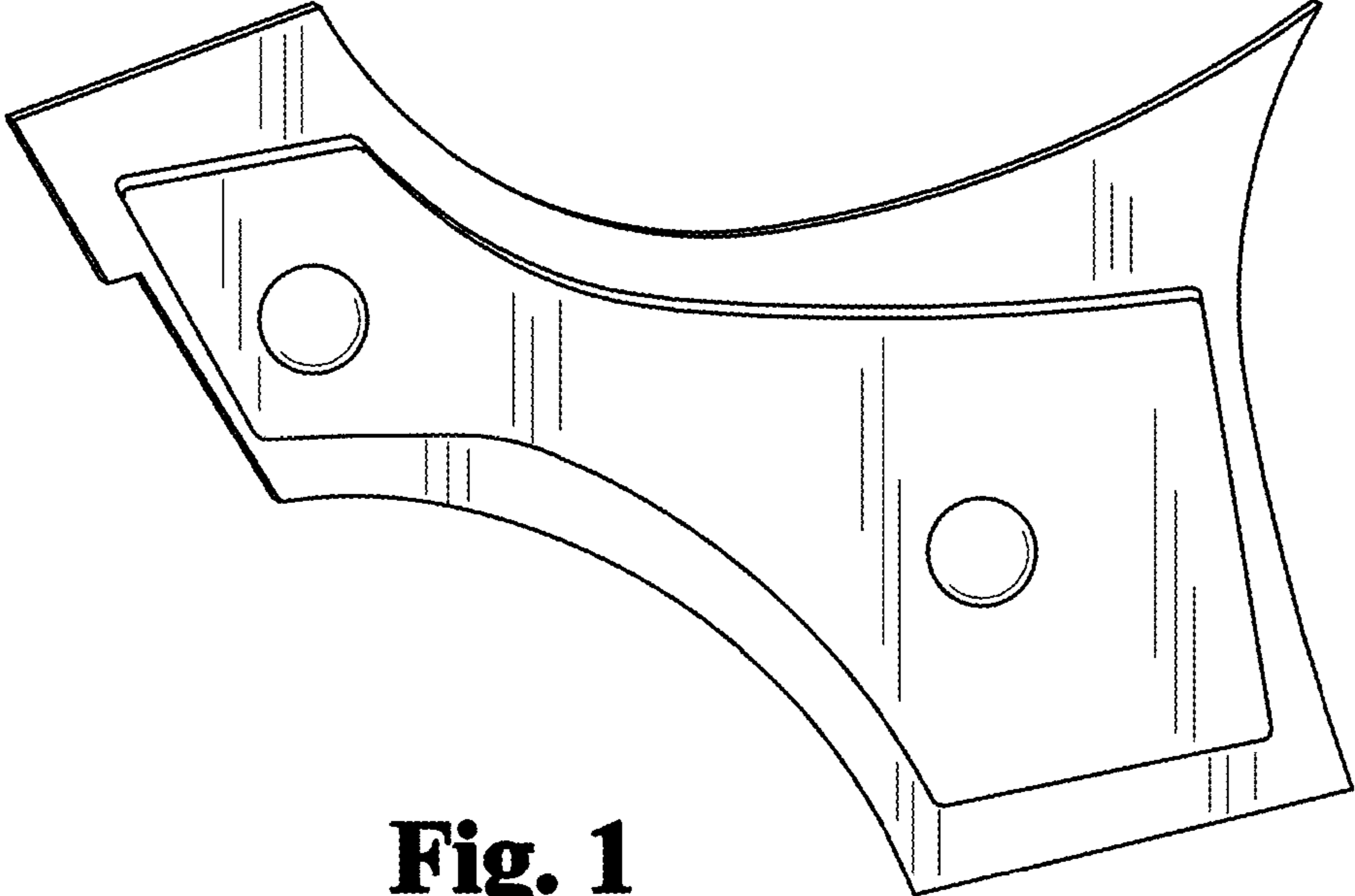


Fig. 1

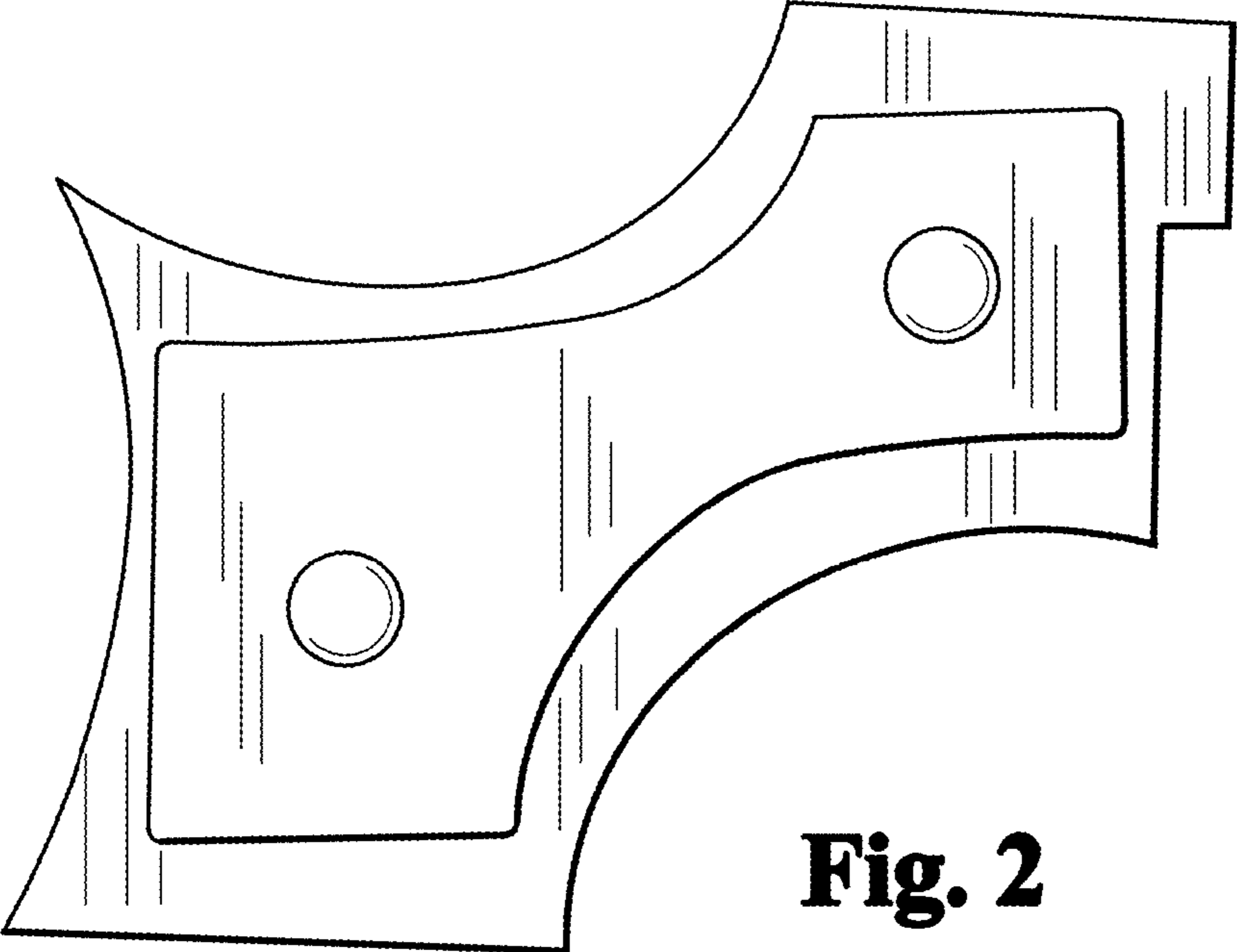


Fig. 2

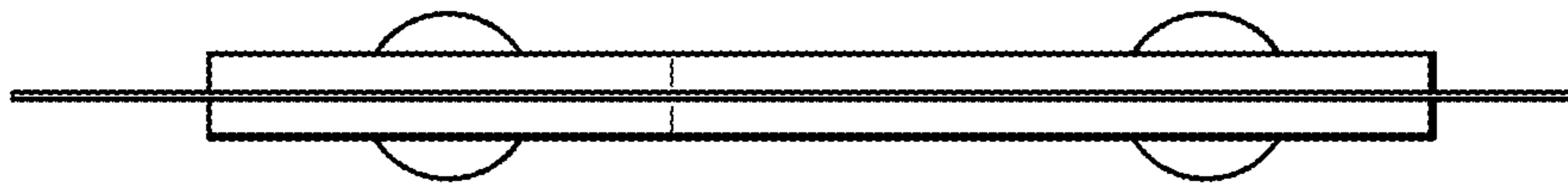


Fig. 3

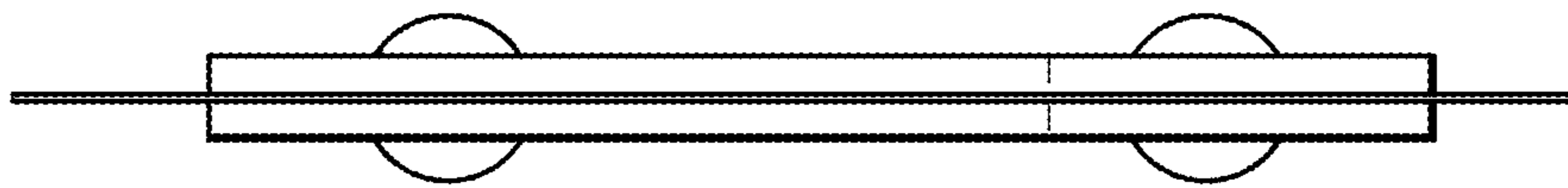


Fig. 4

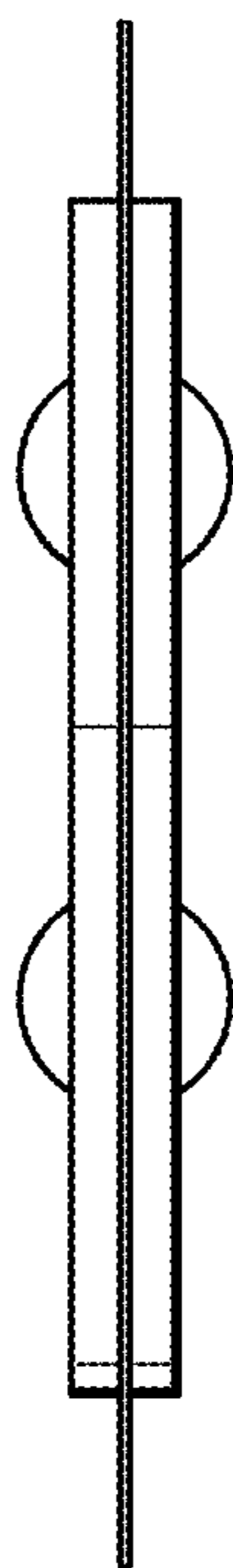


Fig. 5

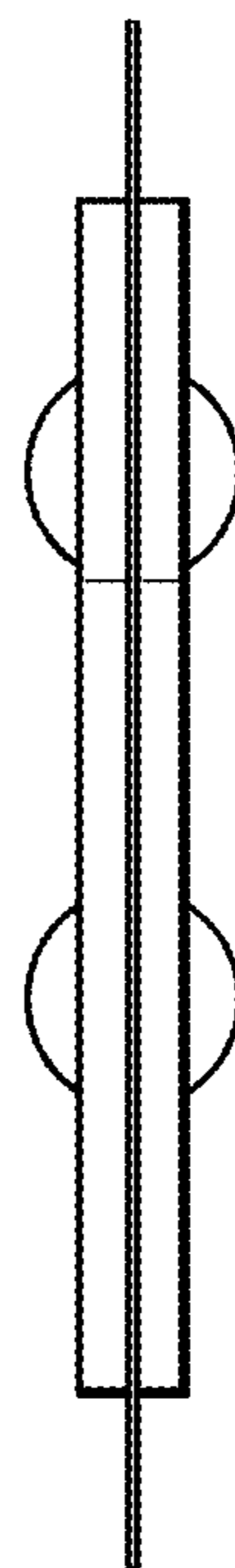


Fig. 6

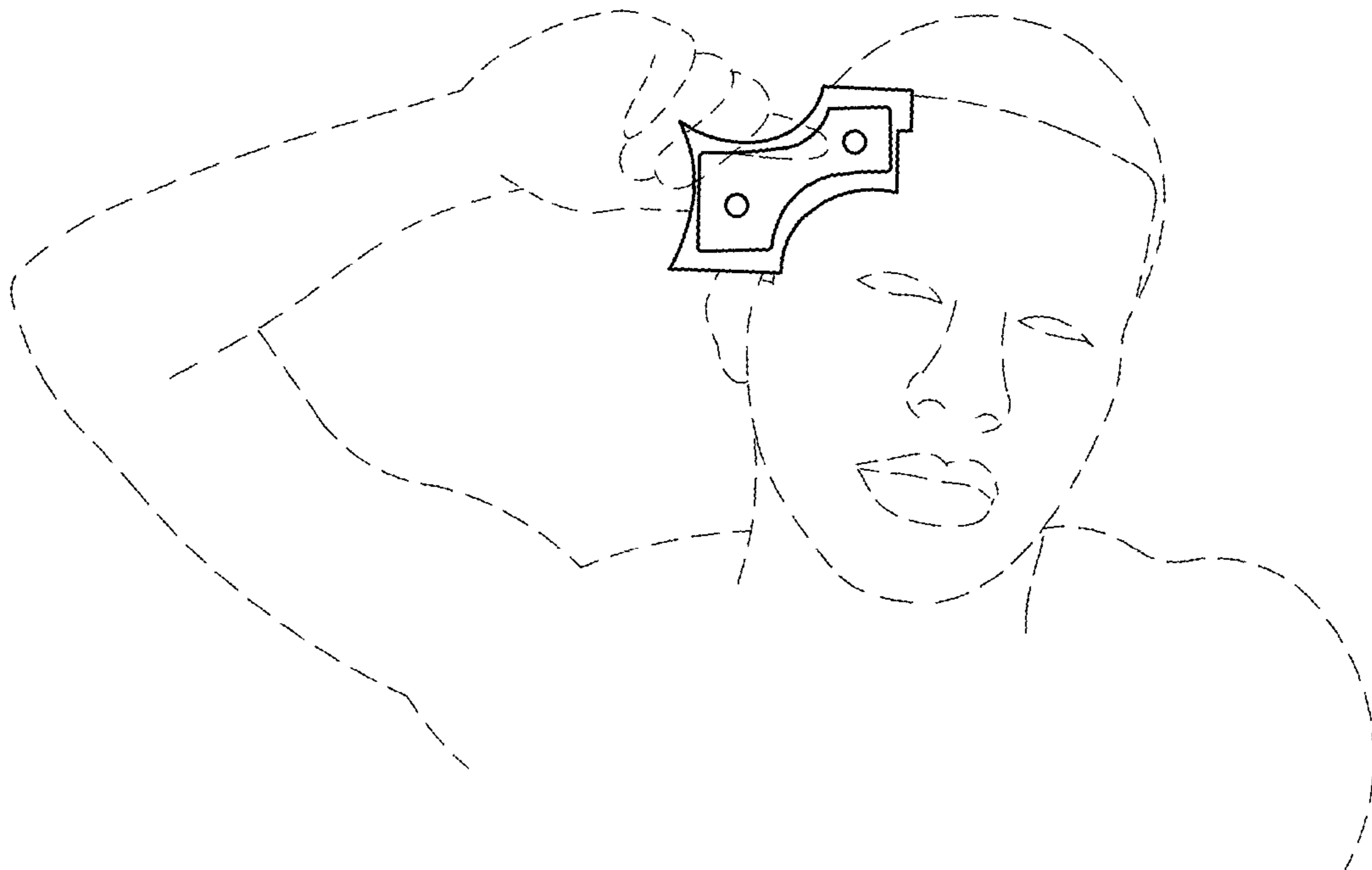


Fig. 7