



US00D768328S

(12) **United States Design Patent**  
**Scheepers**

(10) **Patent No.:** **US D768,328 S**

(45) **Date of Patent:** **\*\* Oct. 4, 2016**

(54) **LAMPSHADE**

D592,794 S \* 5/2009 Chandler ..... D26/141  
D600,395 S \* 9/2009 Salatto-Rose ..... D26/93  
D684,299 S \* 6/2013 Liang ..... D26/118

(71) Applicant: **Conrad Michael Scheepers**, Charlotte,  
NC (US)

**FOREIGN PATENT DOCUMENTS**

(72) Inventor: **Conrad Michael Scheepers**, Charlotte,  
NC (US)

ZA 2009-06040 A 8/2010

(\*\*) Term: **14 Years**

\* cited by examiner

(21) Appl. No.: **29/526,098**

*Primary Examiner* — Brian N Vinson

(22) Filed: **May 6, 2015**

(74) *Attorney, Agent, or Firm* — Alston & Bird LLP

(30) **Foreign Application Priority Data**

(57) **CLAIM**

The ornamental design for a lampshade, as shown and described.

Nov. 6, 2014 (ZA) ..... F2014-01684

(51) **LOC (10) Cl.** ..... **26-99**

(52) **U.S. Cl.**

USPC ..... **D26/118**

(58) **Field of Classification Search**

USPC ..... D26/1, 24, 67, 93-94, 104-110, 95,  
D26/101, 112, 118, 85

CPC ..... F21Y 2103/00; F21Y 2101/02; F21V  
15/00; F21V 25/00

See application file for complete search history.

(56) **References Cited**

**U.S. PATENT DOCUMENTS**

D456,550 S \* 4/2002 Clodagh ..... D26/85  
D571,948 S \* 6/2008 Chen ..... D26/118

**DESCRIPTION**

FIG. 1 is a perspective view of a lampshade according to my new design;

FIG. 2 is a top plan view thereof;

FIG. 3 is a front elevation view thereof;

FIG. 4 is a rear elevation view thereof;

FIG. 5 is a left side elevation view thereof;

FIG. 6 is a right side elevation view thereof;

FIG. 7 is an additional perspective view thereof;

FIG. 8 is an additional top plan view thereof;

FIG. 9 is an additional front elevation view thereof;

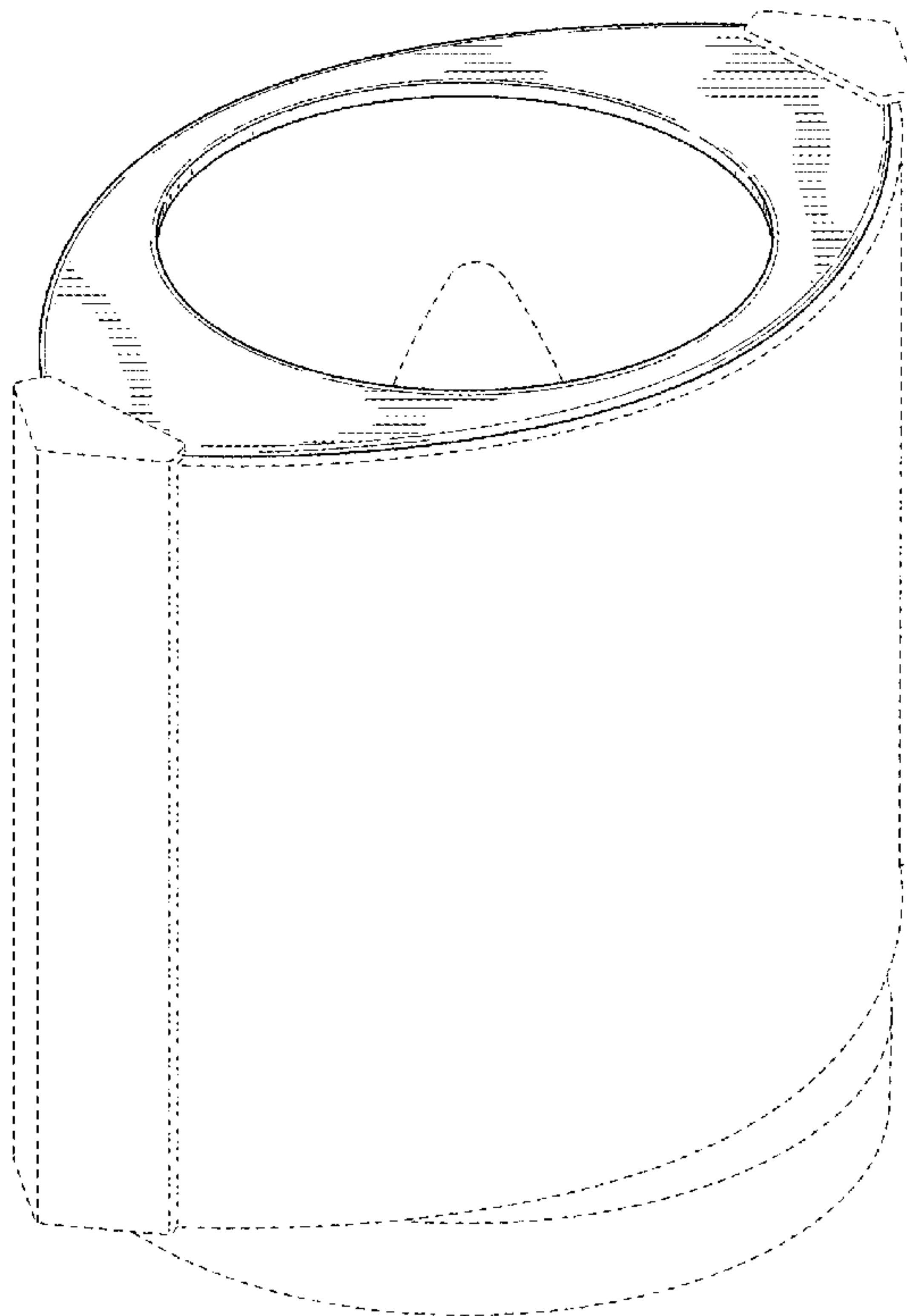
FIG. 10 is an additional rear elevation view thereof;

FIG. 11 is an additional left side elevation view thereof; and,

FIG. 12 is an additional right side elevation view thereof.

The broken line disclosure represents elements which form no part of the claimed design.

**1 Claim, 12 Drawing Sheets**



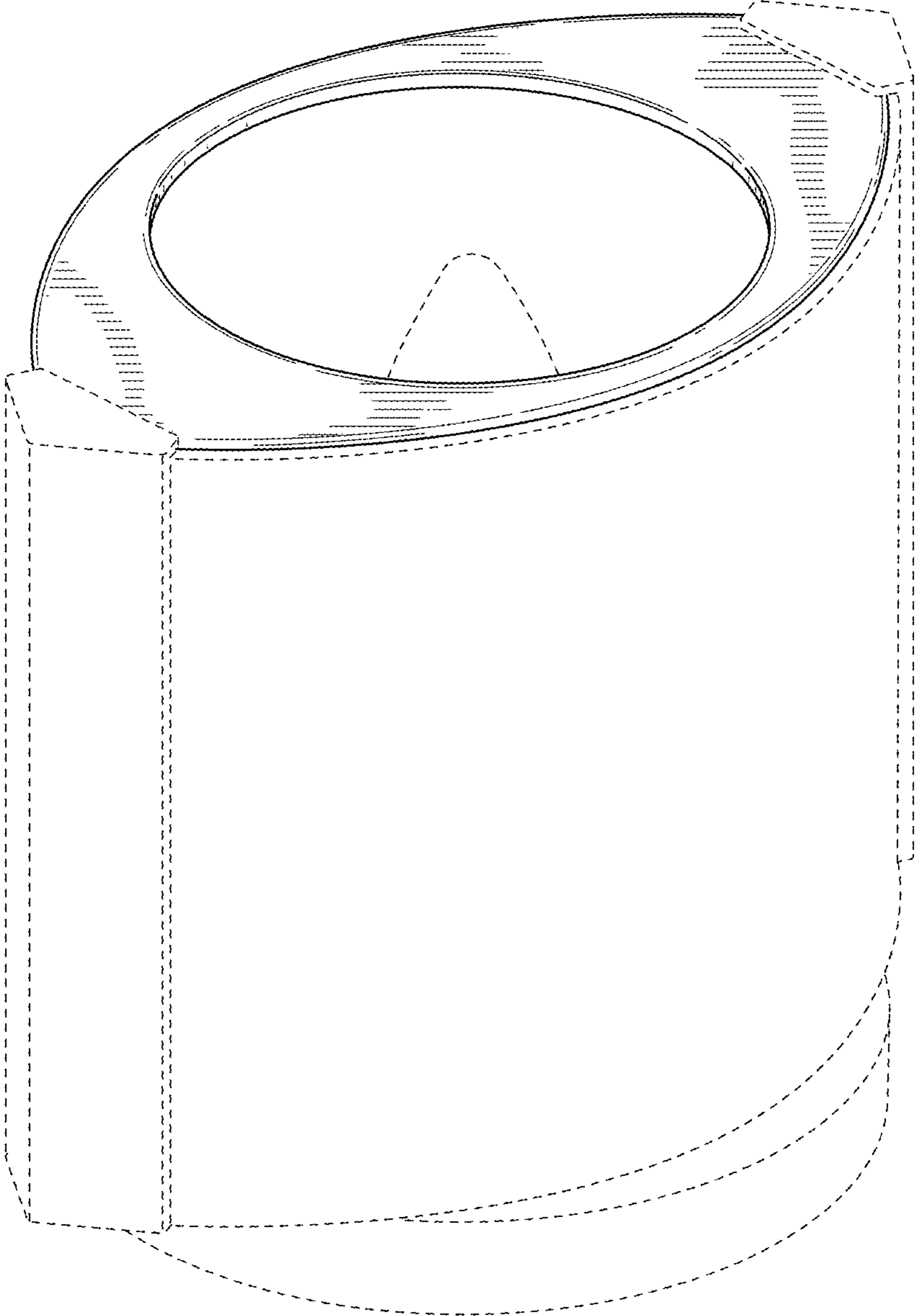
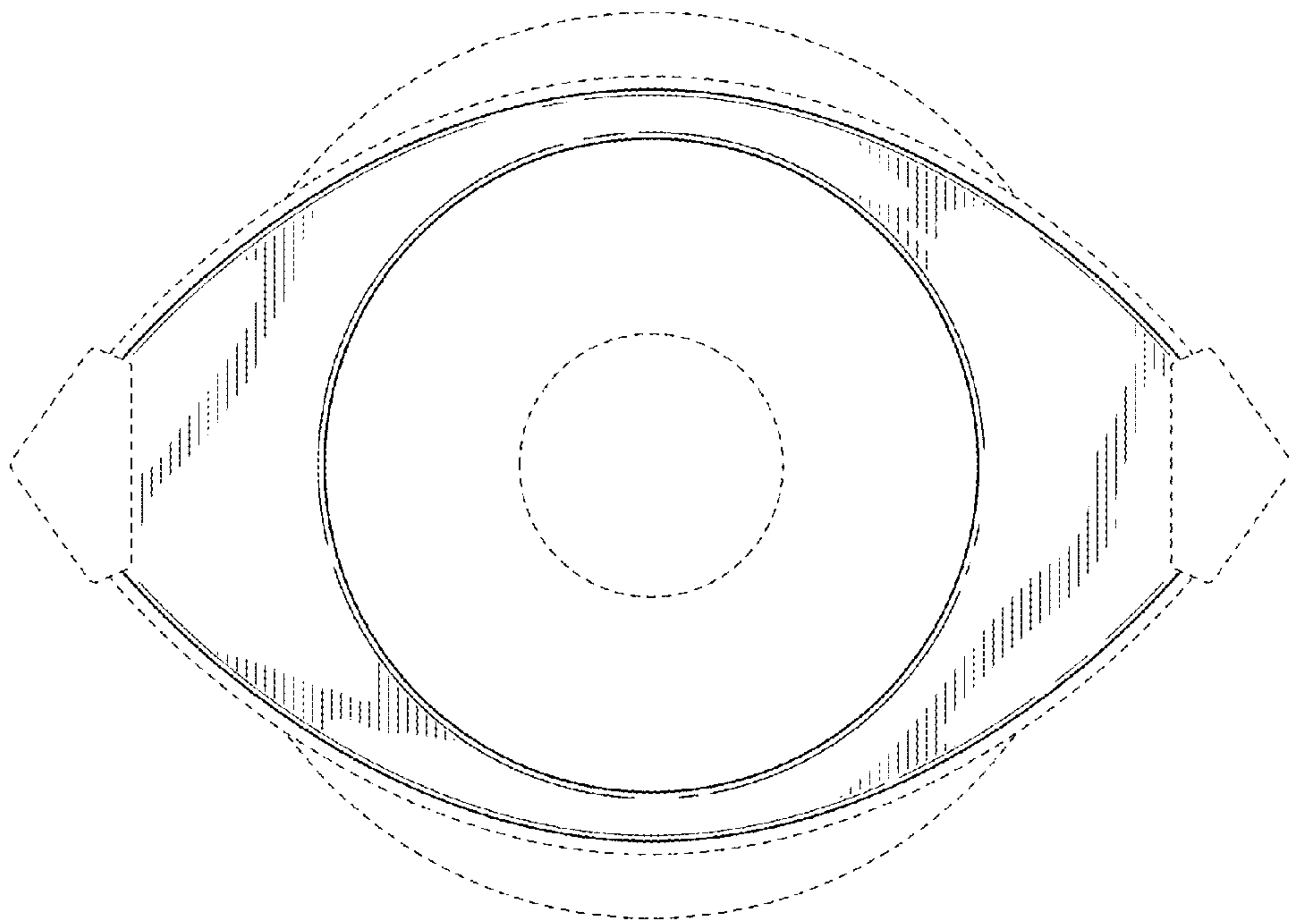
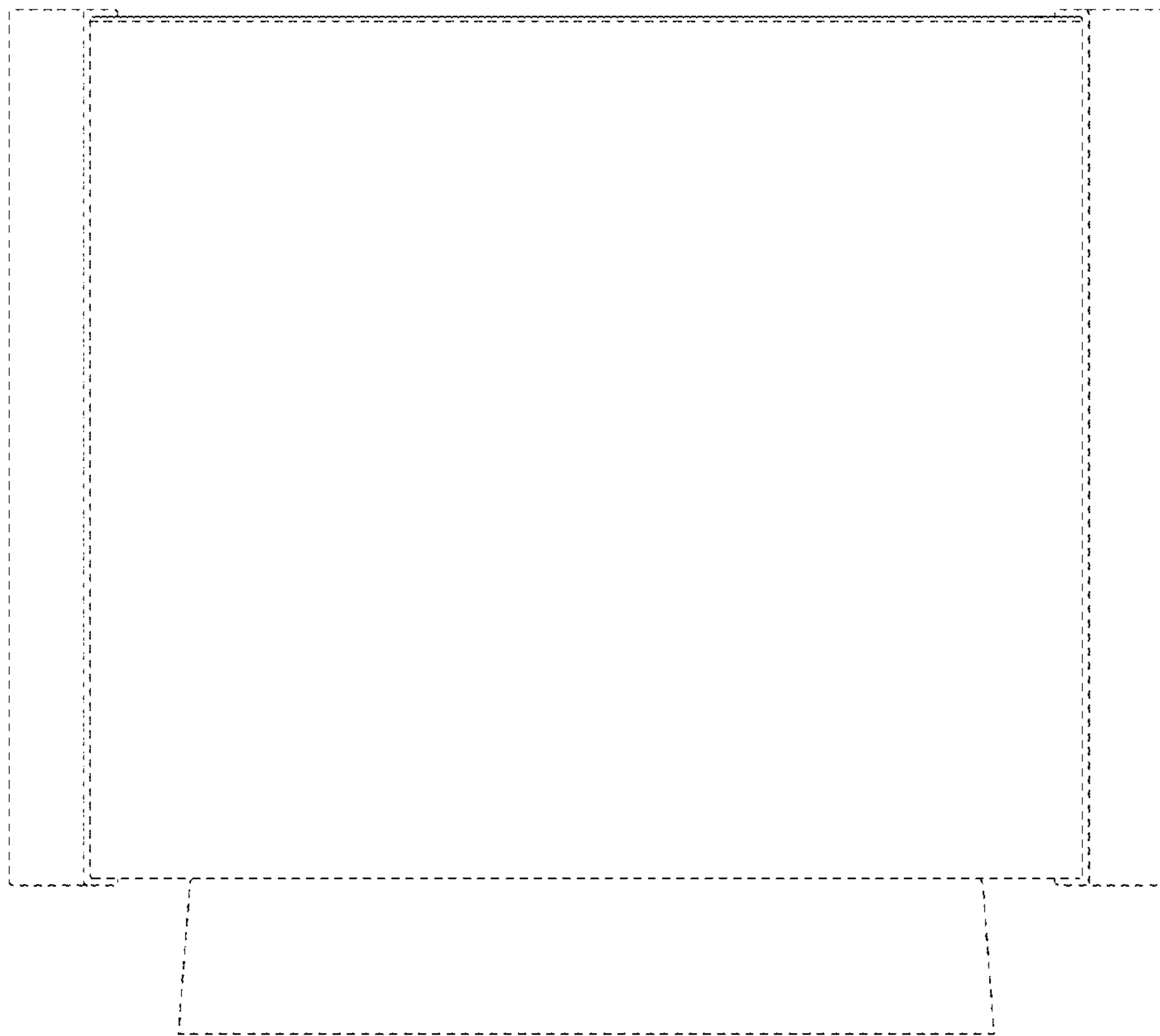


FIG. 1



**FIG. 2**



**FIG. 3**

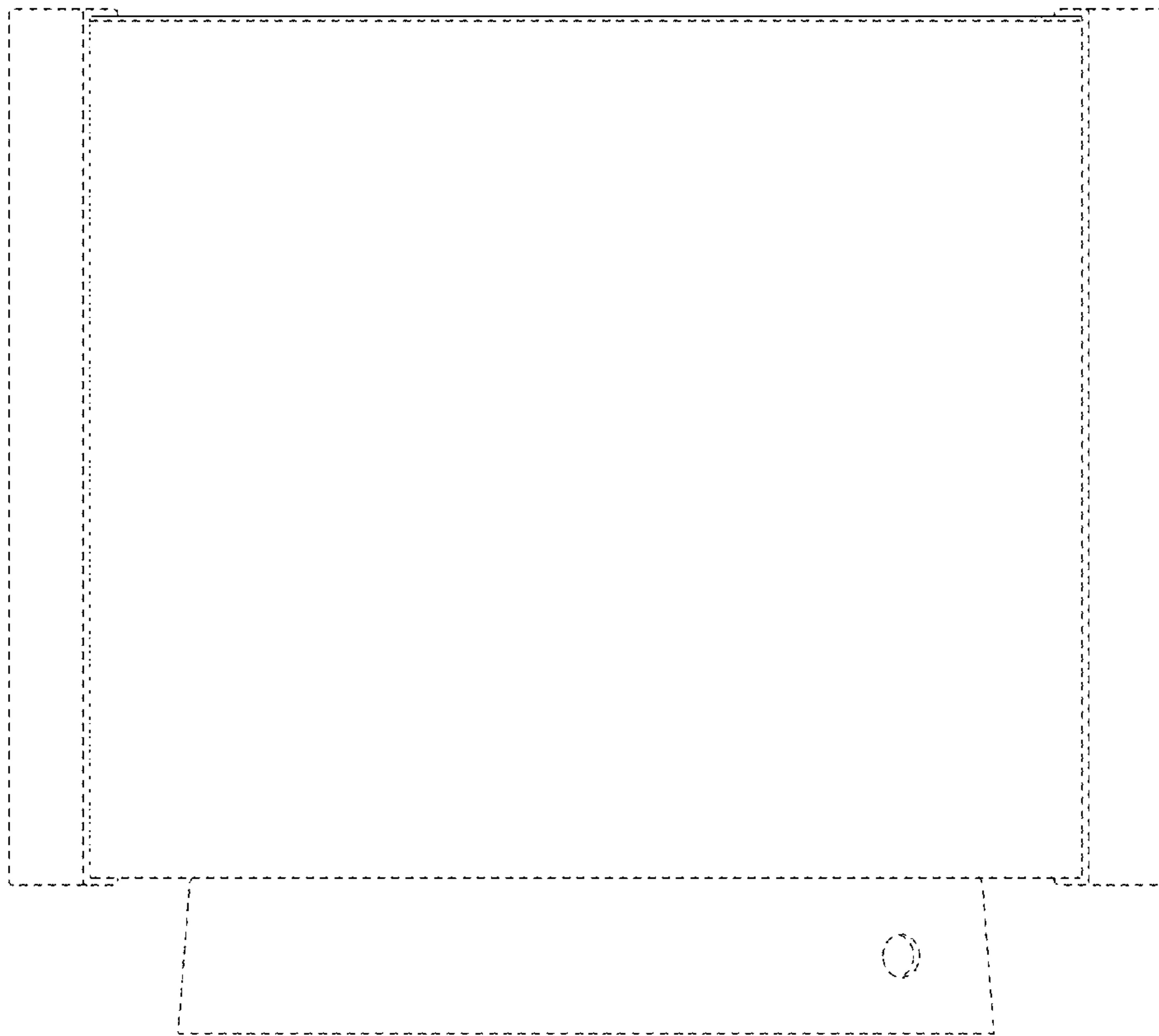
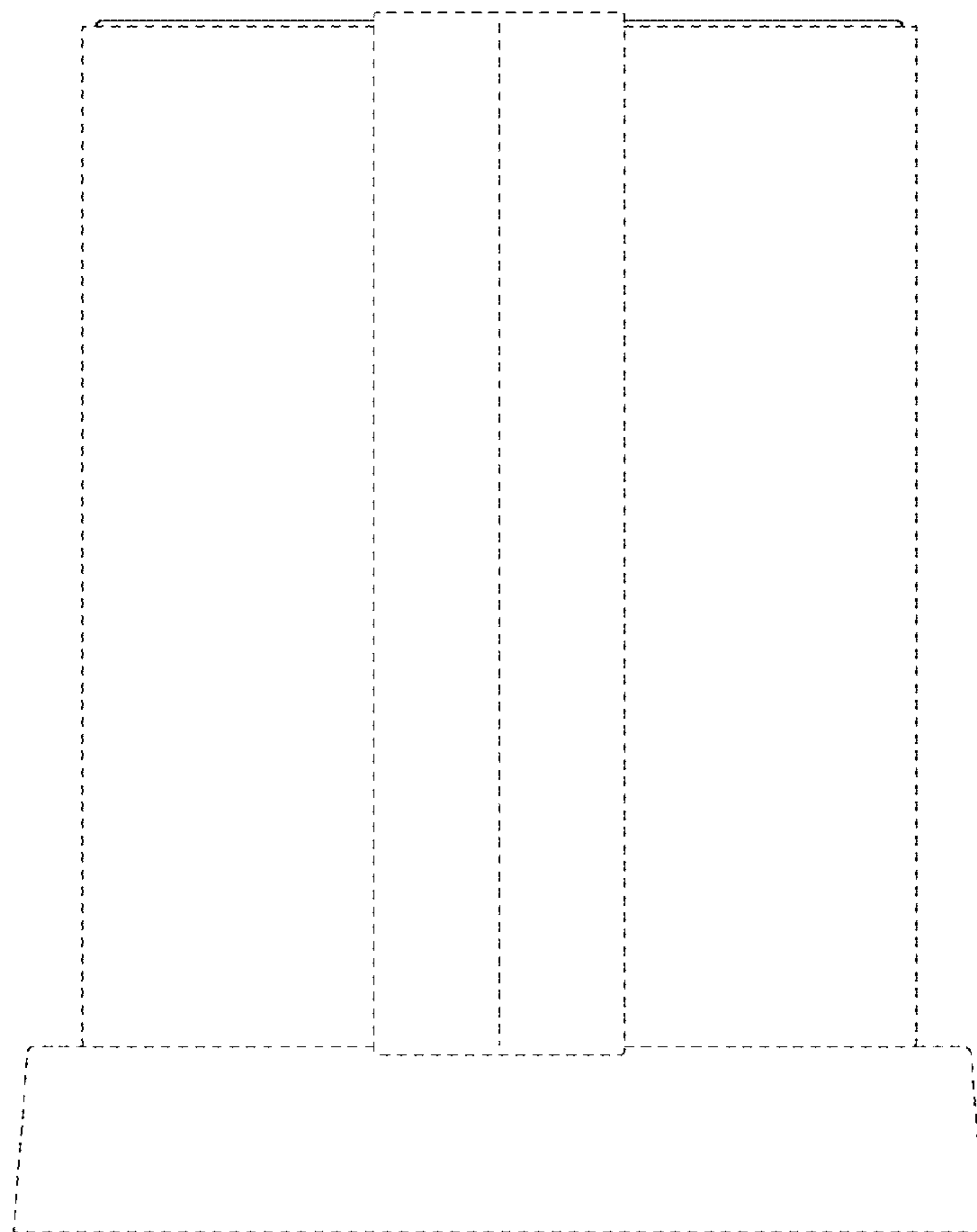
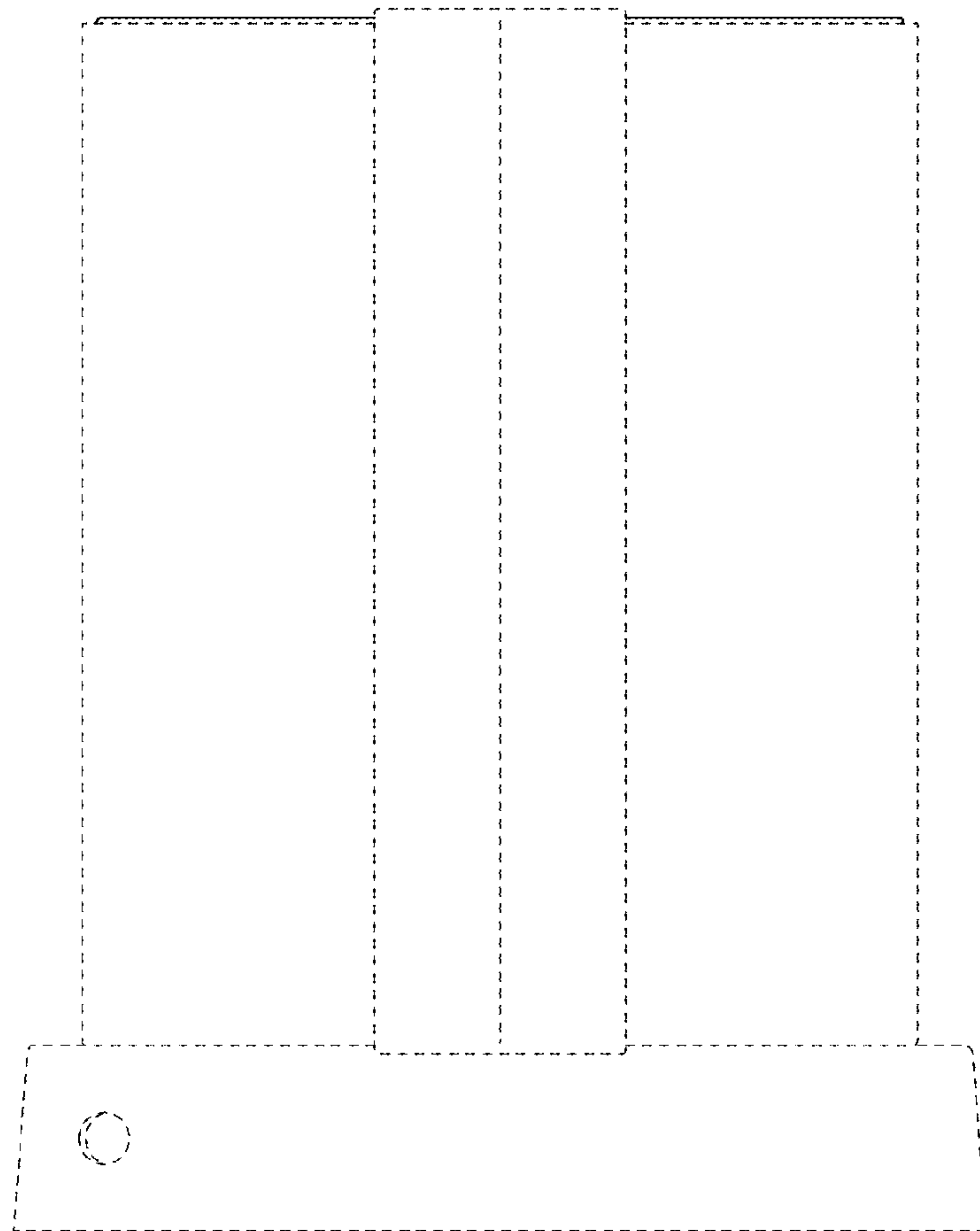


FIG. 4



**FIG. 5**



**FIG. 6**

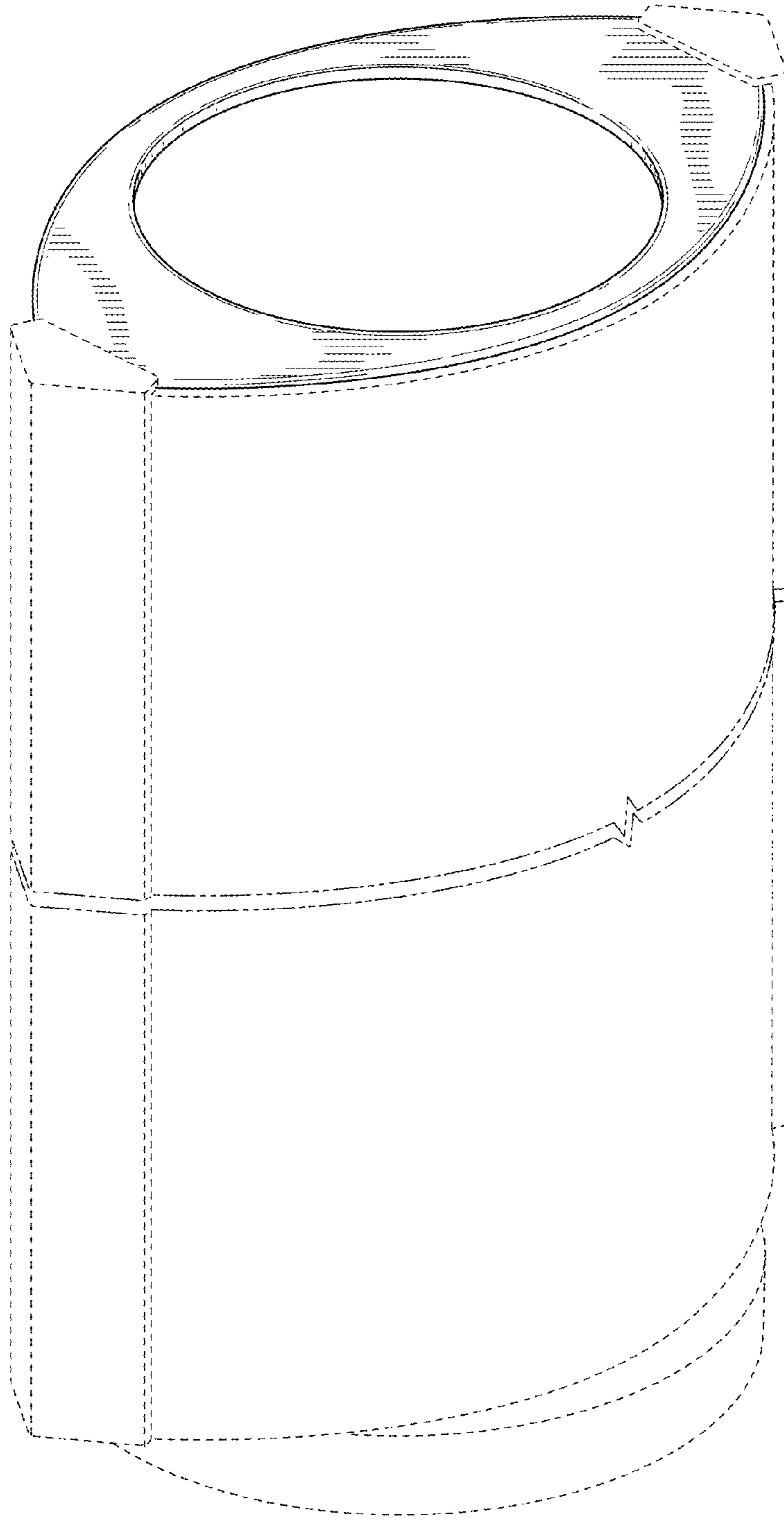
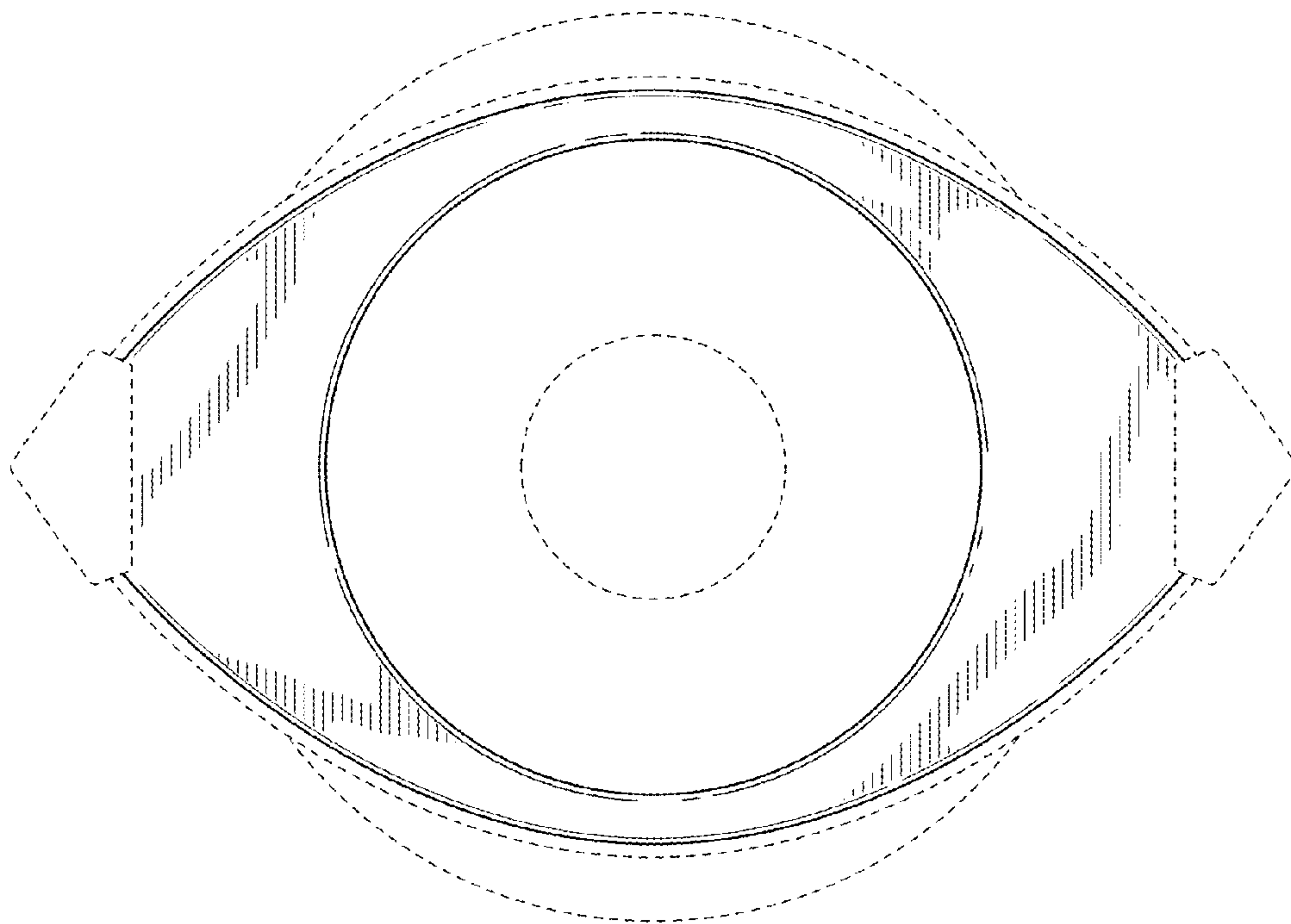


FIG. 7





**FIG. 8**

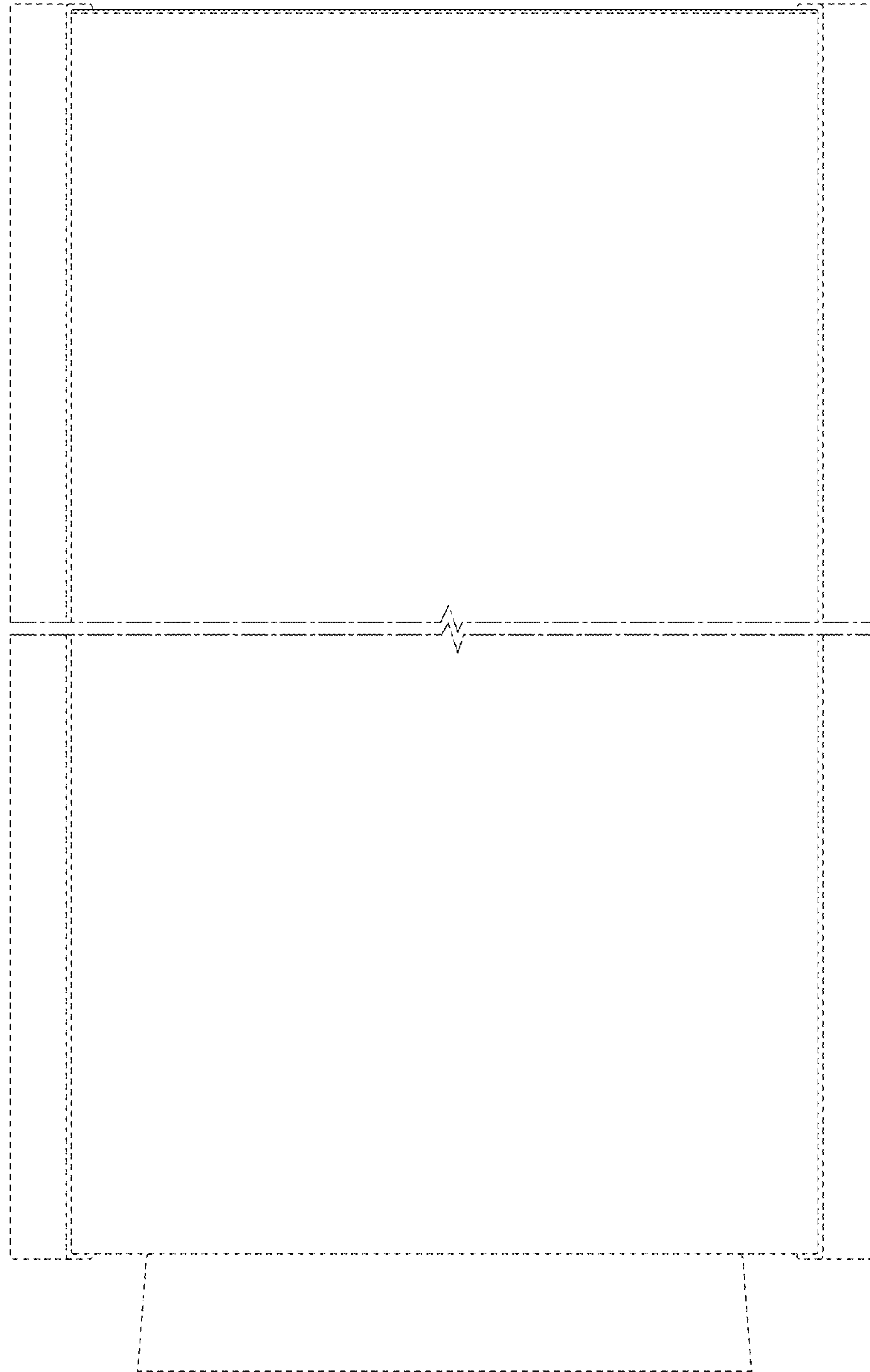
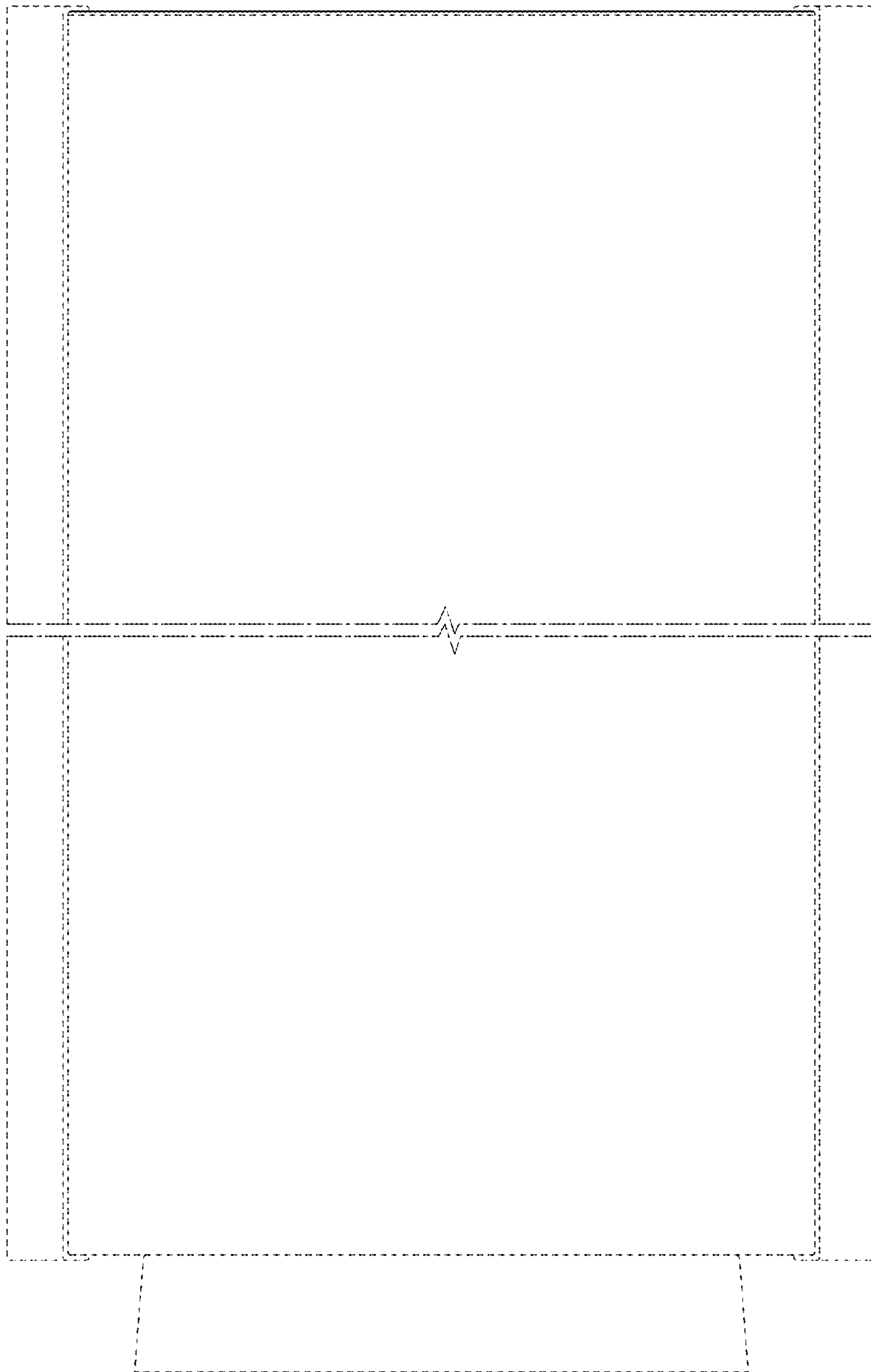
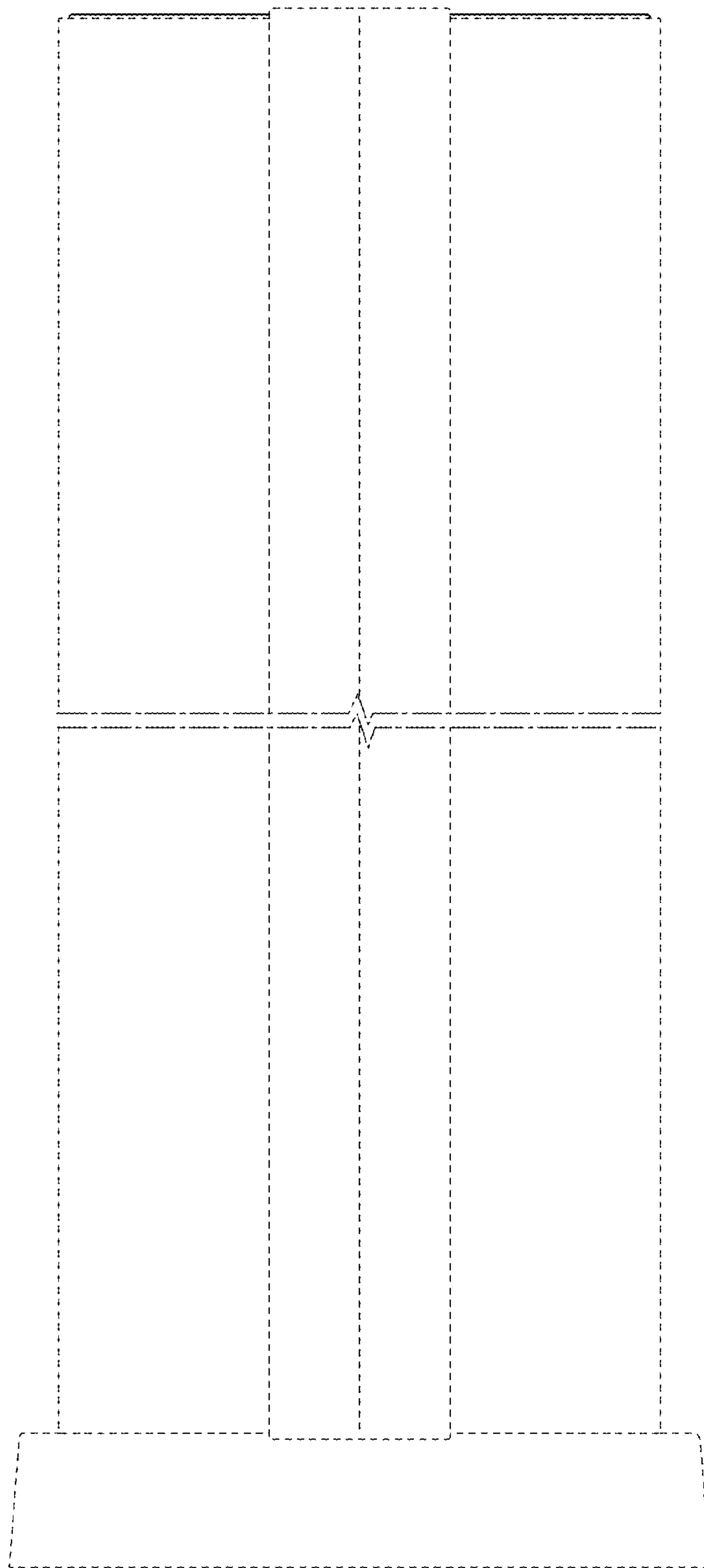


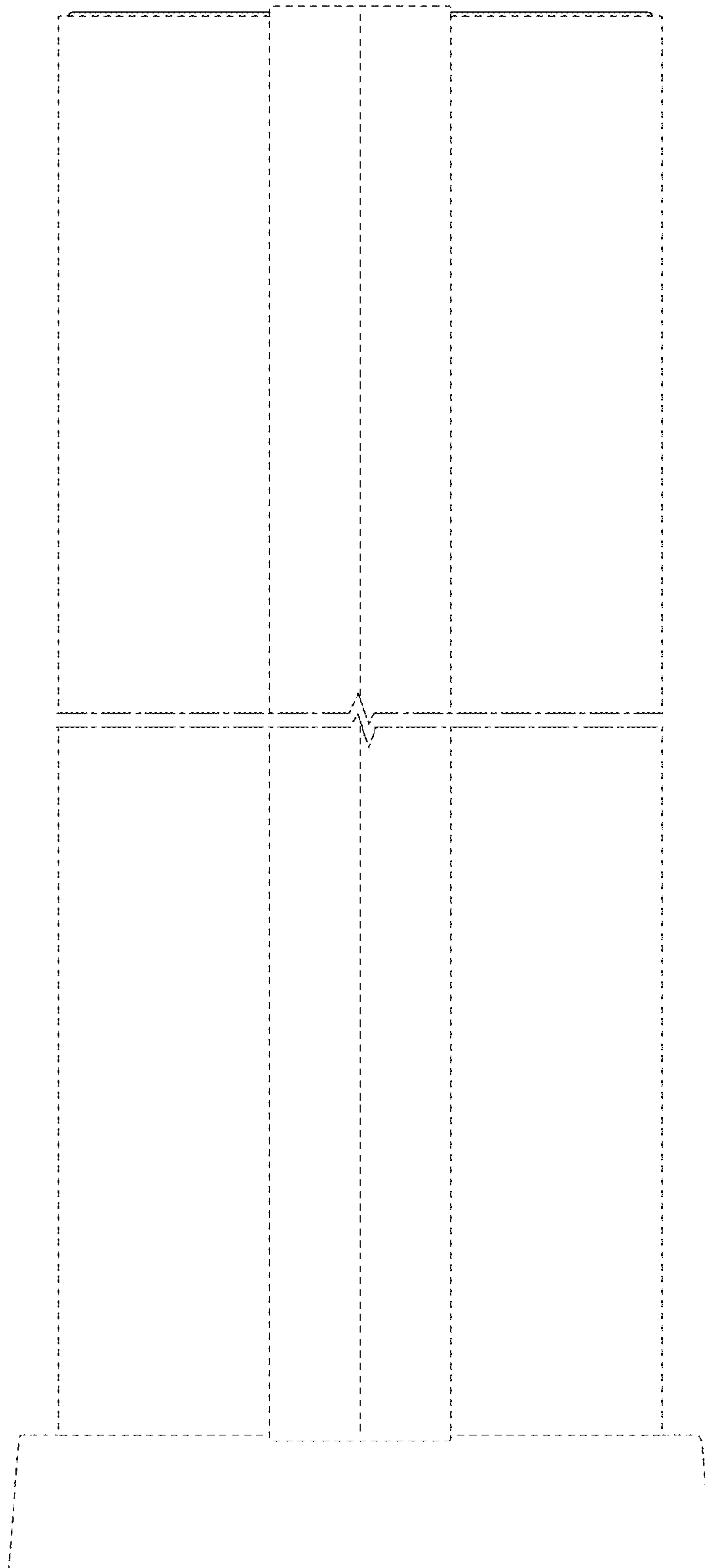
FIG. 9



**FIG. 10**



**FIG. 11**



**FIG. 12**

UNITED STATES PATENT AND TRADEMARK OFFICE  
**CERTIFICATE OF CORRECTION**

PATENT NO. : D768,328 S  
APPLICATION NO. : 29/526098  
DATED : October 4, 2016  
INVENTOR(S) : Scheepers

Page 1 of 1

It is certified that error appears in the above-identified patent and that said Letters Patent is hereby corrected as shown below:

On the Title Page

In the DESCRIPTION, "FIG. 6 is a fight side elevation view thereof;" should read --FIG. 6 is a right side elevation view thereof;--.

Signed and Sealed this  
Twenty-seventh Day of June, 2017



Joseph Matal  
*Performing the Functions and Duties of the  
Under Secretary of Commerce for Intellectual Property and  
Director of the United States Patent and Trademark Office*