



US00D768326S

(12) **United States Design Patent** (10) **Patent No.:** **US D768,326 S**
Guzzini (45) **Date of Patent:** **** Oct. 4, 2016**

(54) **LUMINAIRE**
(71) Applicant: **Iguzzini Illuminazione S.P.A., Recanati (IT)**
(72) Inventor: **Adolfo Guzzini, Recanati (IT)**
(73) Assignee: **Iguzzini Illuminazione S.P.A., Recanati (IT)**

D691,761 S * 10/2013 Pratt D26/74
D692,172 S * 10/2013 Rashidi D26/74
D692,173 S * 10/2013 Rashidi D26/74
D696,446 S * 12/2013 Huh D26/74
D696,448 S * 12/2013 Huh D26/74
D700,387 S * 2/2014 Snell D26/74
D705,472 S * 5/2014 Huh D26/74
D739,590 S * 9/2015 Redfern D26/74
2013/0286646 A1* 10/2013 Snell F21V 13/04
362/231

(**) Term: **15 Years**

* cited by examiner

(21) Appl. No.: **29/531,008**

Primary Examiner — Angela J Lee

(22) Filed: **Jun. 22, 2015**

(74) Attorney, Agent, or Firm — Stetina Brunda Garred & Brucker

(30) **Foreign Application Priority Data**

Dec. 23, 2014 (EP) 002604660-0011

(51) **LOC (10) Cl.** **26-05**

(52) **U.S. Cl.**
USPC **D26/74**

(58) **Field of Classification Search**

USPC D26/74, 72, 75, 76, 77, 78, 85, 88, 89,
D26/118, 138, 141; 362/364, 365, 373, 145,
362/146, 147, 148, 150, 153, 153.1, 294,
362/296.01, 296.07, 296.08
CPC F21V 29/2262; F21V 7/06; F21V 21/044;
F21V 21/047; F21V 29/2212; F21V 29/2225;
F21V 29/2256; F21V 29/225; F21V 29/2268;
F21Y 2111/002; F21S 8/02; F21S 8/026
See application file for complete search history.

(57) **CLAIM**

The ornamental design for luminaire, as shown and described.

DESCRIPTION

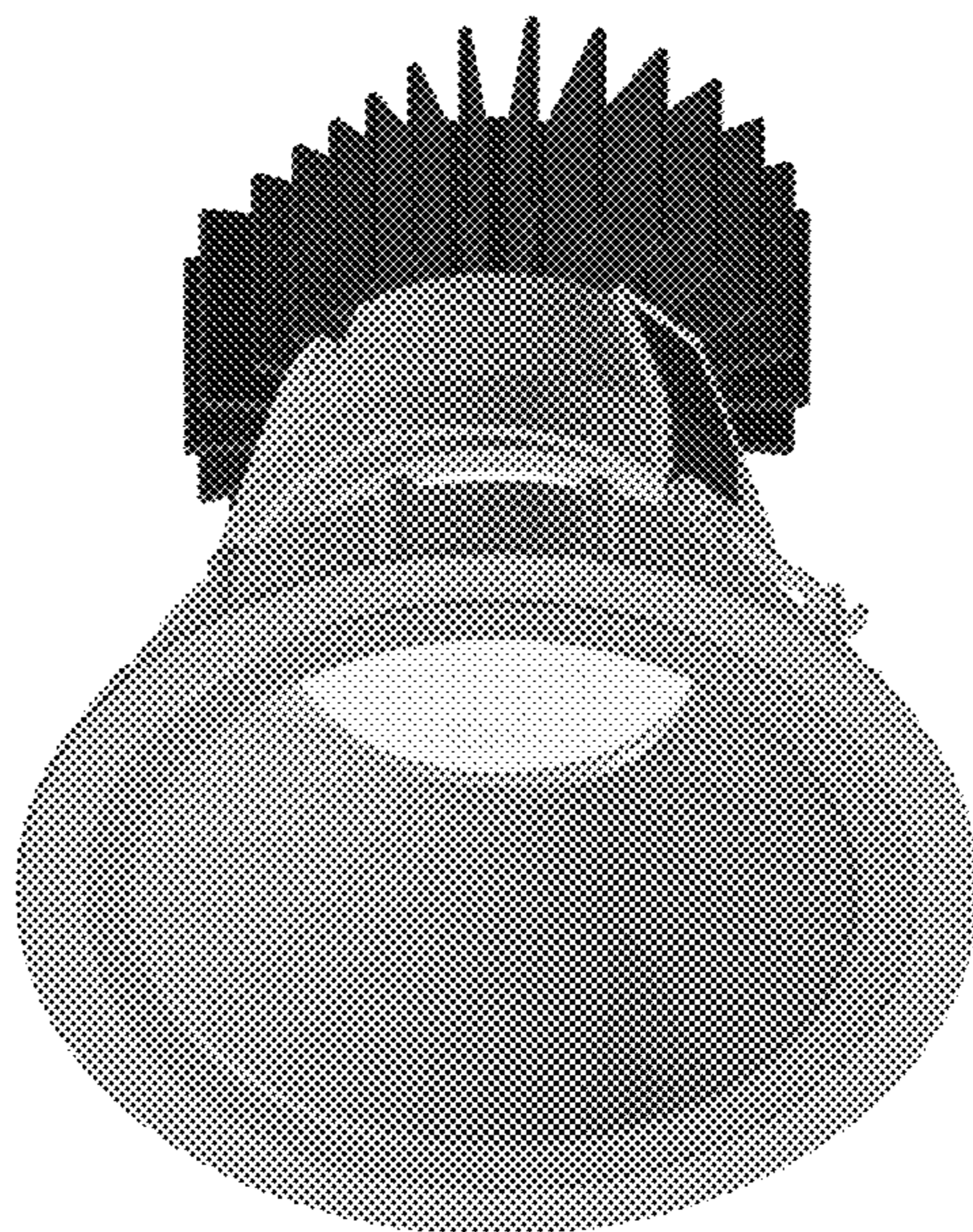
FIG. 1 is a front perspective view of the luminaire of the present invention showing my new design;
FIG. 2 is a front view thereof;
FIG. 3 is a right view thereof;
FIG. 4 is a left view thereof;
FIG. 5 is a back view thereof;
FIG. 6 is a top view thereof; and,
FIG. 7 is a bottom view thereof.

(56) **References Cited**

U.S. PATENT DOCUMENTS

D681,859 S * 5/2013 Beregszaszi D26/74
D685,118 S * 6/2013 Rashidi D26/74
D691,315 S * 10/2013 Samson D26/74

1 Claim, 7 Drawing Sheets



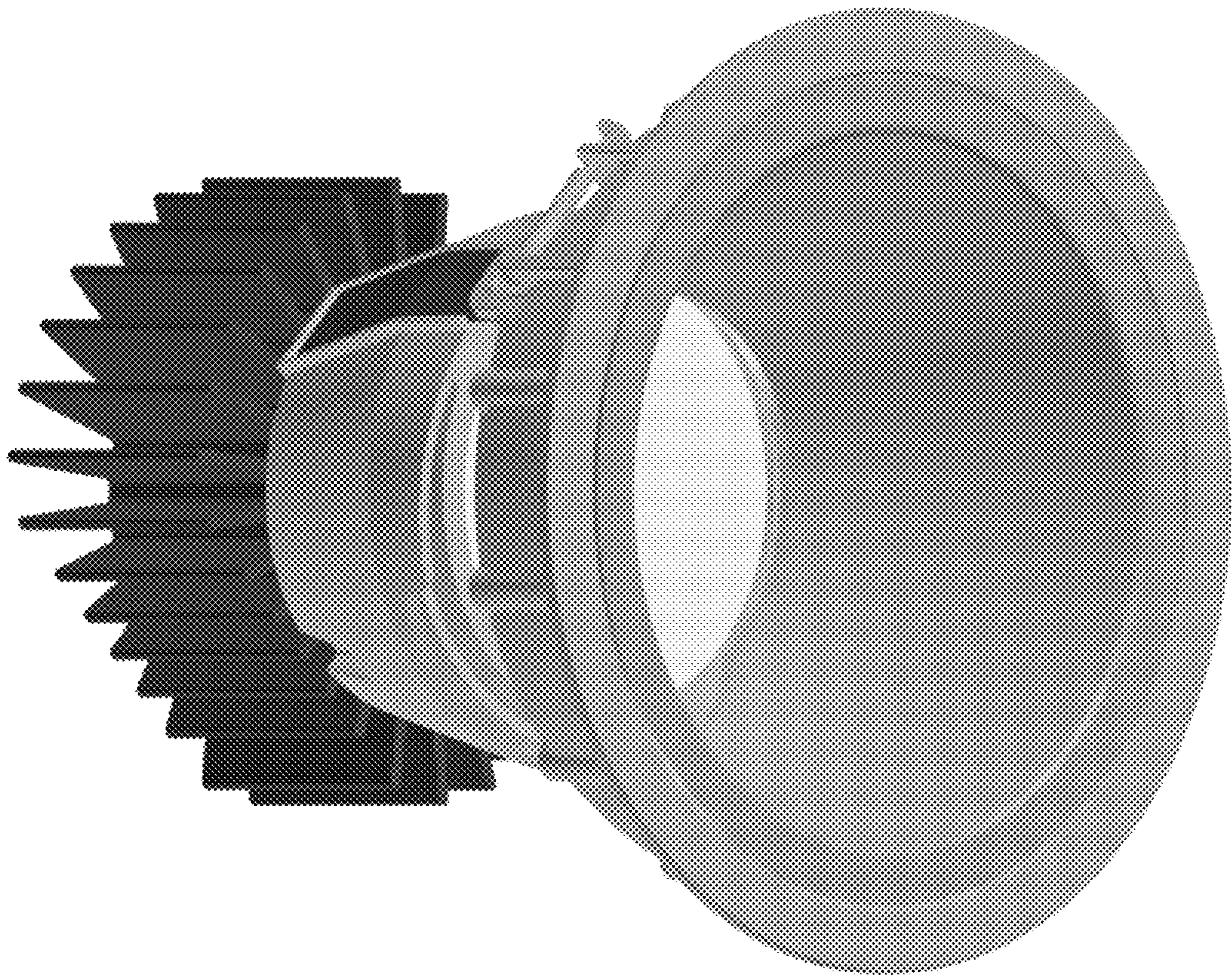


FIG. 1

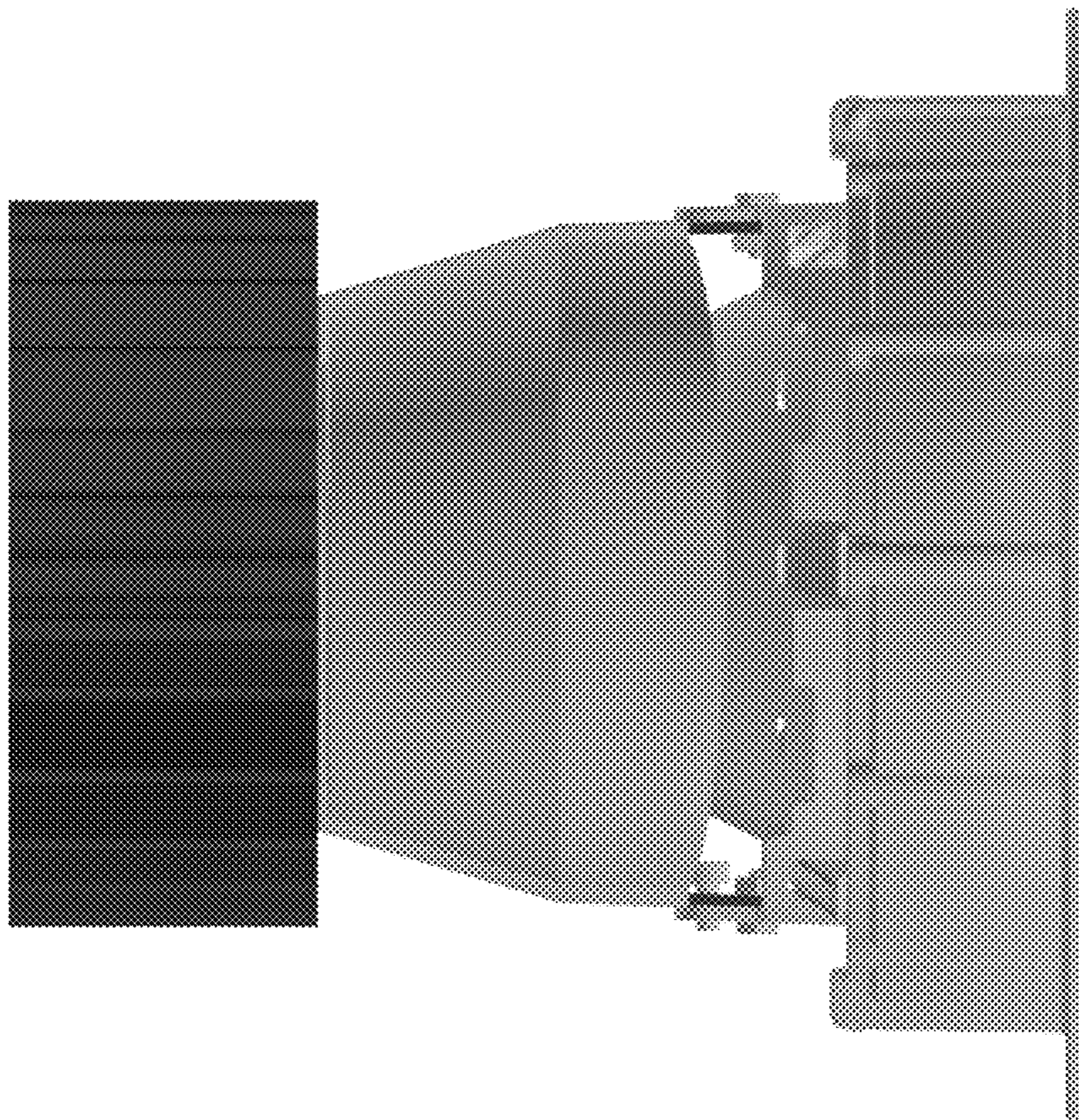


FIG. 2

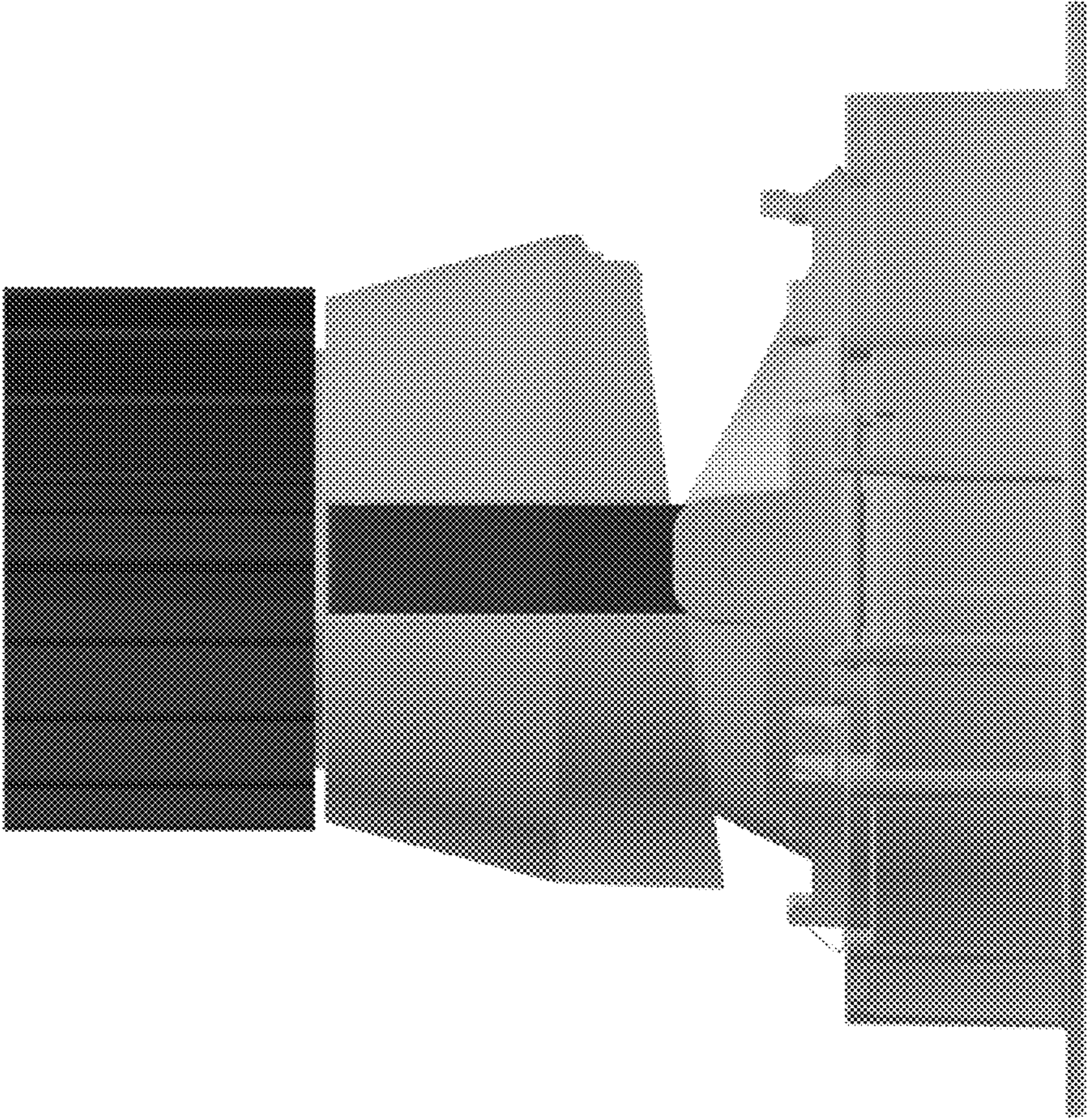


FIG. 3

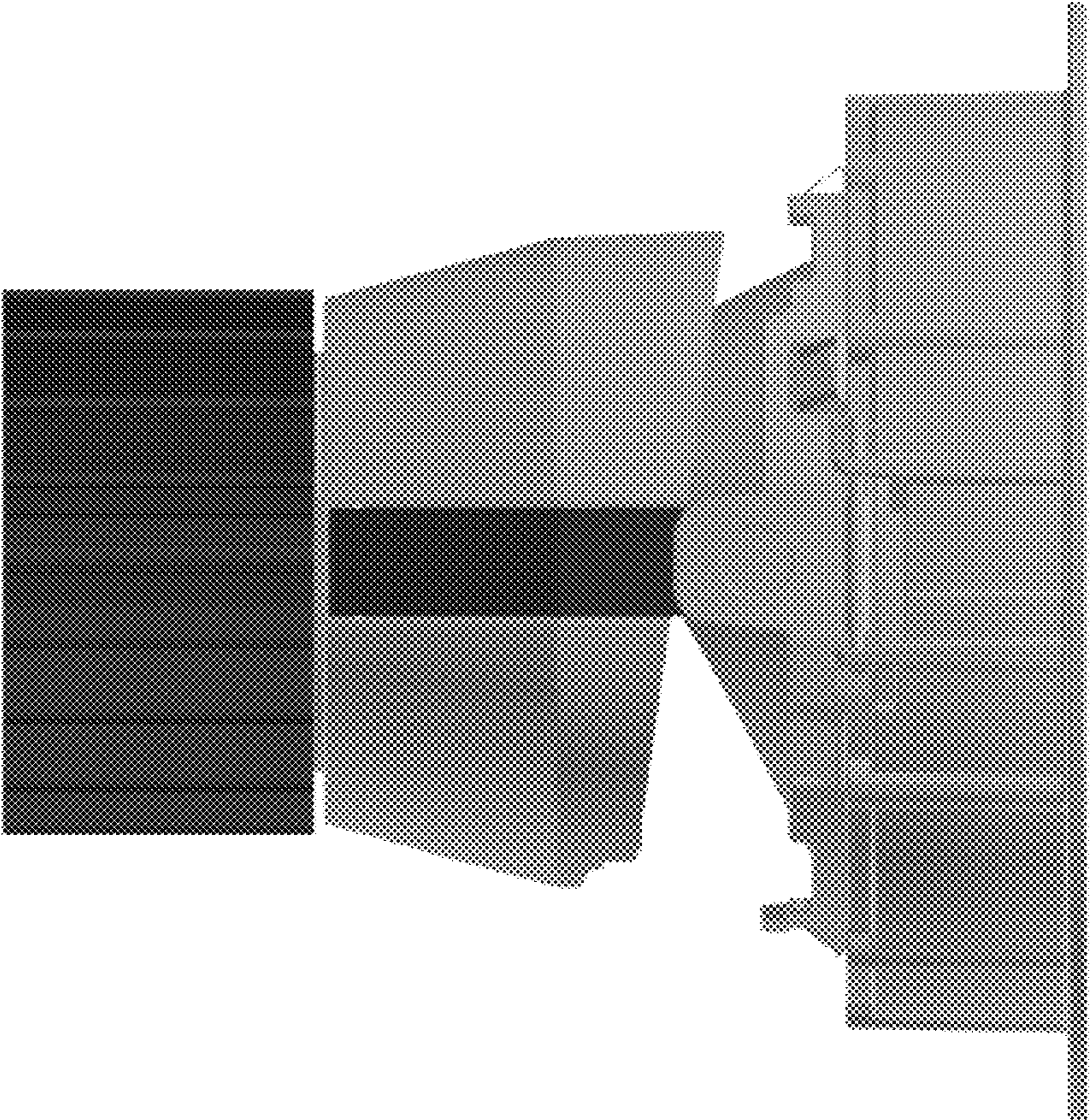


FIG. 4

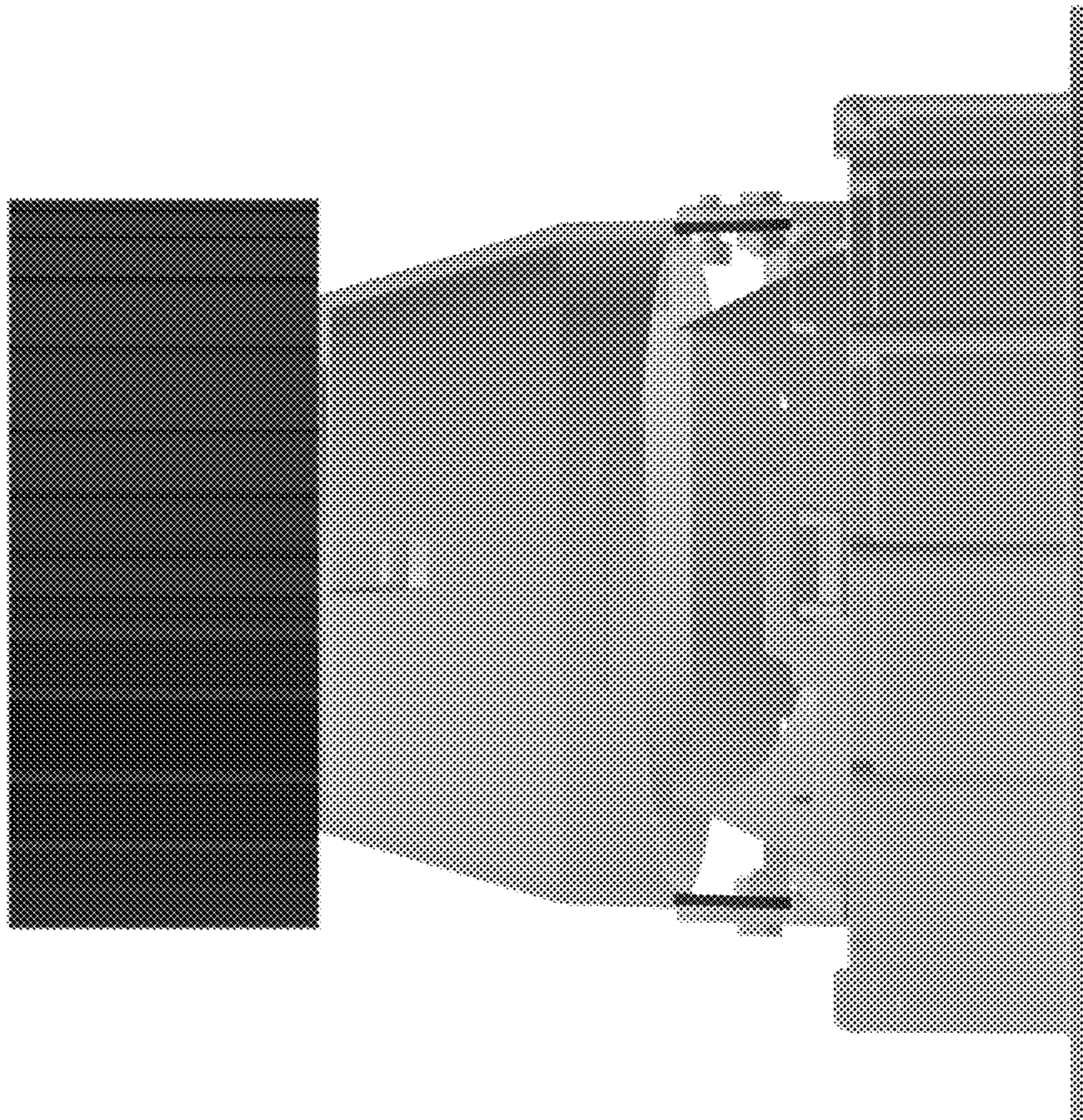


FIG. 5

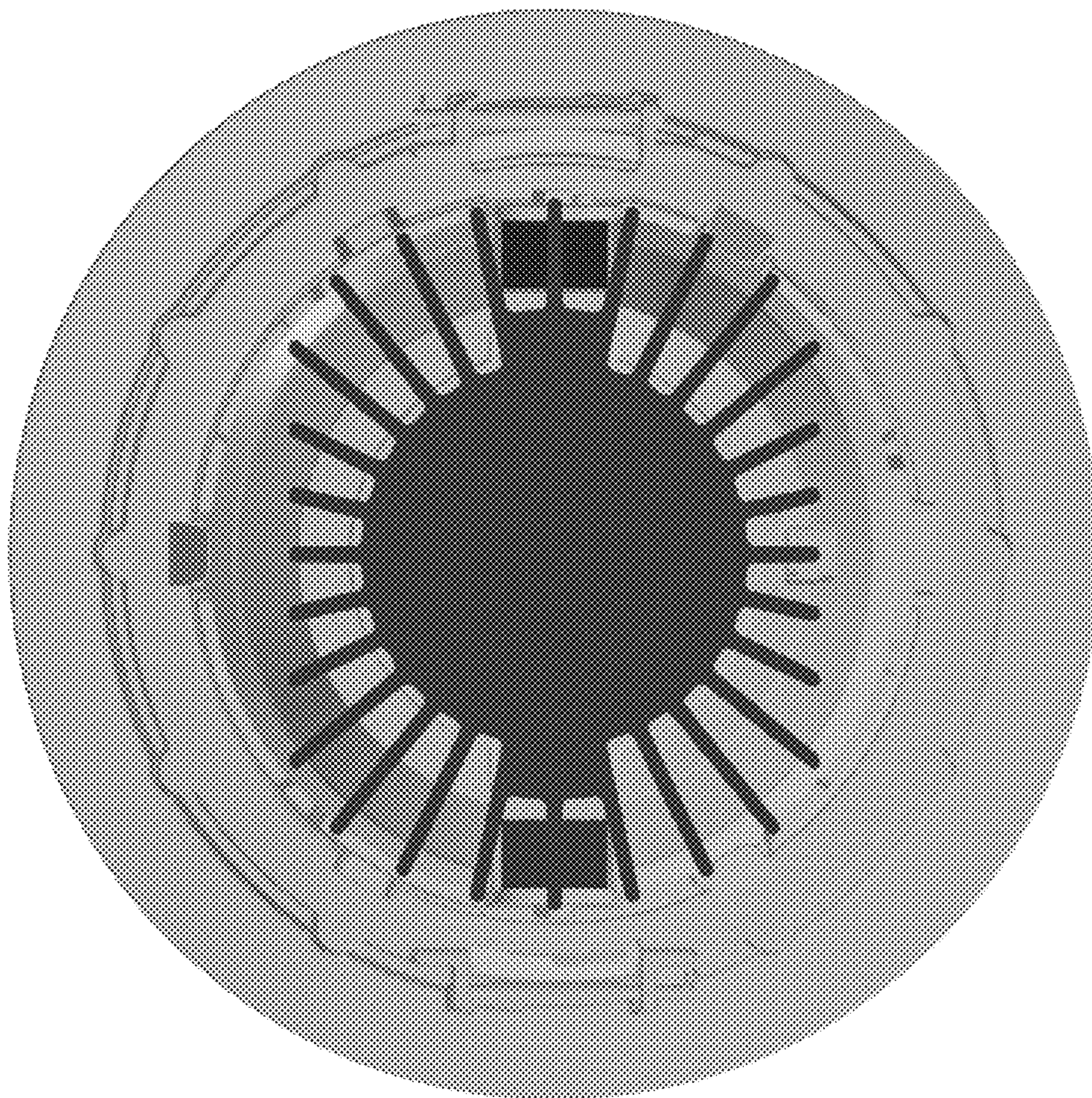


FIG. 6



FIG. 7