



US00D768325S

(12) **United States Design Patent** (10) **Patent No.:** **US D768,325 S**  
**Xu** (45) **Date of Patent:** **\*\* Oct. 4, 2016**

(54) **DOWN LAMP**

(56) **References Cited**

(71) Applicant: **DONGGUAN JIASHENG LIGHTING TECHNOLOGY CO., LTD.**, Guangdong Province (CN)  
(72) Inventor: **Shuisheng Xu**, Guangdong Province (CN)  
(73) Assignee: **DONGGUAN JIASHENG LIGHTING TECHNOLOGY CO., LTD.**, Dongguan, Guangdong Province (CN)

U.S. PATENT DOCUMENTS

D326,537	S	*	5/1992	Gattari	.....	D26/74
D326,729	S	*	6/1992	Gattari	.....	D26/74
D591,894	S	*	5/2009	Flank	.....	D26/74
D610,289	S	*	2/2010	Yoshinobu	.....	D26/74
D610,290	S	*	2/2010	Yoshinobu	.....	D26/74
D610,291	S	*	2/2010	Yoshinobu	.....	D26/74
D640,820	S	*	6/2011	Hopper	.....	D26/74
D656,262	S	*	3/2012	Yoshinobu	.....	D26/74
D656,263	S	*	3/2012	Ogawa	.....	D26/74
D684,288	S	*	6/2013	Gielen	.....	D26/74
D726,949	S	*	4/2015	Redfern	.....	D26/74

\* cited by examiner

*Primary Examiner* — Angela J Lee

(74) *Attorney, Agent, or Firm* — Jackson IPG PLLC;  
Demian K. Jackson

(\*\*) **Term:** **14 Years**

(21) **Appl. No.:** **29/507,690**

(22) **Filed:** **Oct. 30, 2014**

(51) **LOC (10) Cl.** ..... **26-05**

(52) **U.S. Cl.**  
USPC ..... **D26/74**

(58) **Field of Classification Search**  
USPC ..... D26/74, 72, 75, 76, 77, 78, 85, 88, 89,  
D26/118, 138, 141; 362/364, 365, 373, 145,  
362/146, 147, 148, 150, 153, 153.1, 294,  
362/296.01, 296.07, 296.08  
CPC .... F21V 29/2262; F21V 7/06; F21V 21/044;  
F21V 21/047; F21V 29/2212; F21V 29/2225;  
F21V 29/2256; F21V 29/225; F21V 29/2268;  
F21Y 2111/002; F21S 8/02; F21S 8/026  
See application file for complete search history.

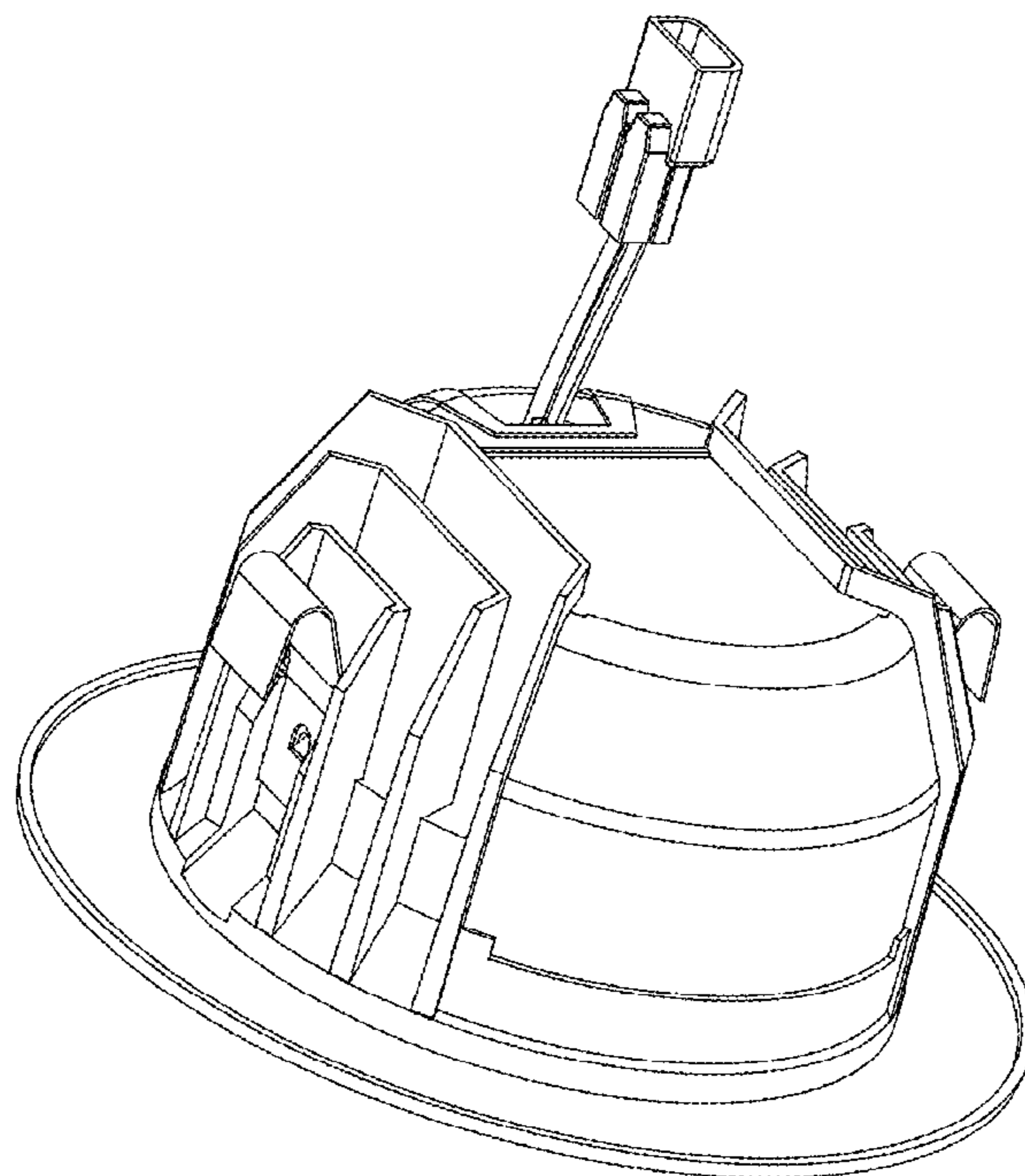
(57) **CLAIM**

The ornamental design for a down lamp, as shown and described.

**DESCRIPTION**

FIG. 1 is a front side perspective view of a down lamp showing my new design;  
FIG. 2 is another side perspective view thereof;  
FIG. 3 is a front elevational view thereof;  
FIG. 4 is a rear elevational view thereof;  
FIG. 5 is a left side elevational view thereof;  
FIG. 6 is a right side elevational view thereof;  
FIG. 7 is a top plan view thereof; and,  
FIG. 8 is a bottom plan view thereof.

**1 Claim, 8 Drawing Sheets**



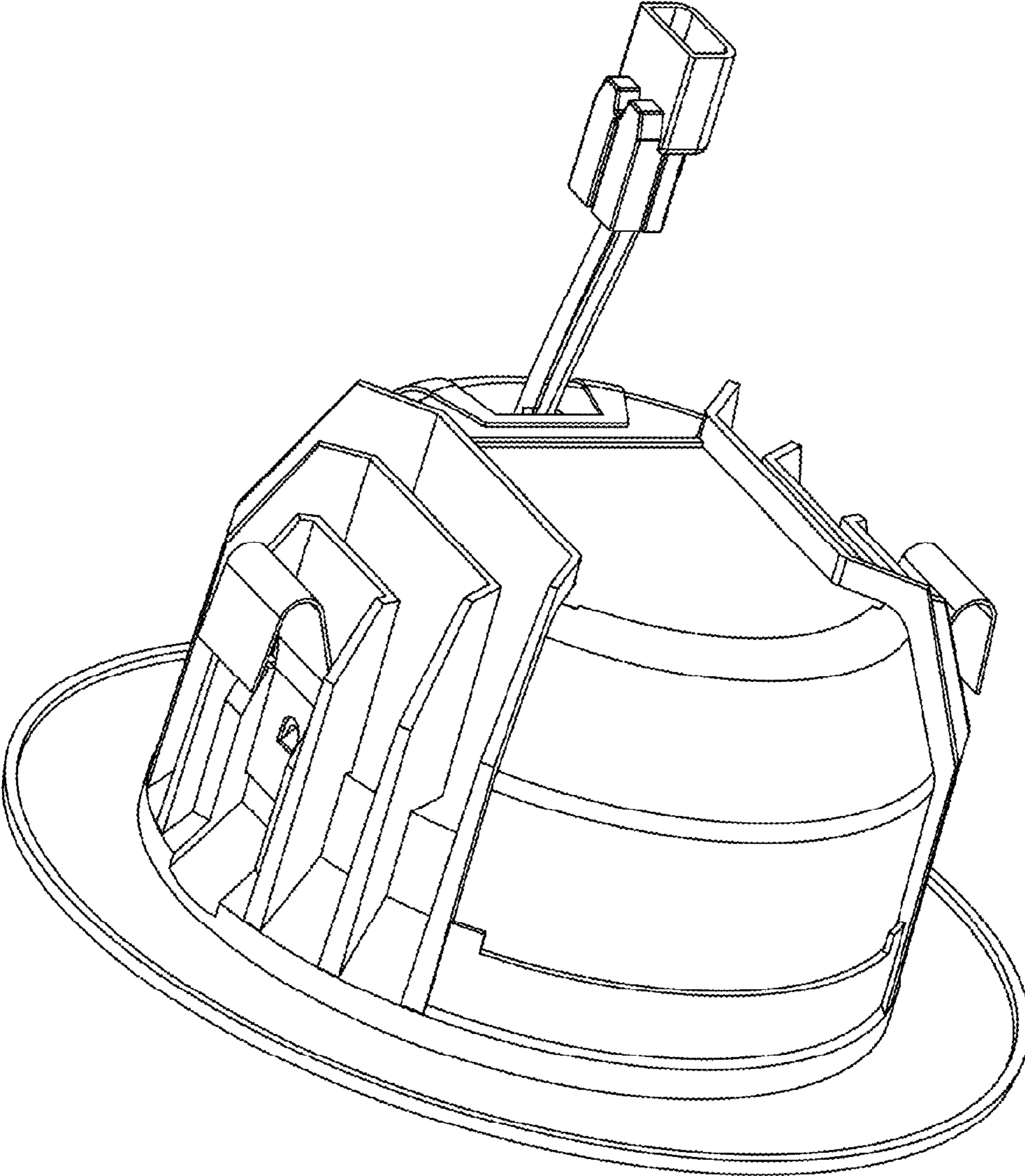


FIG. 1

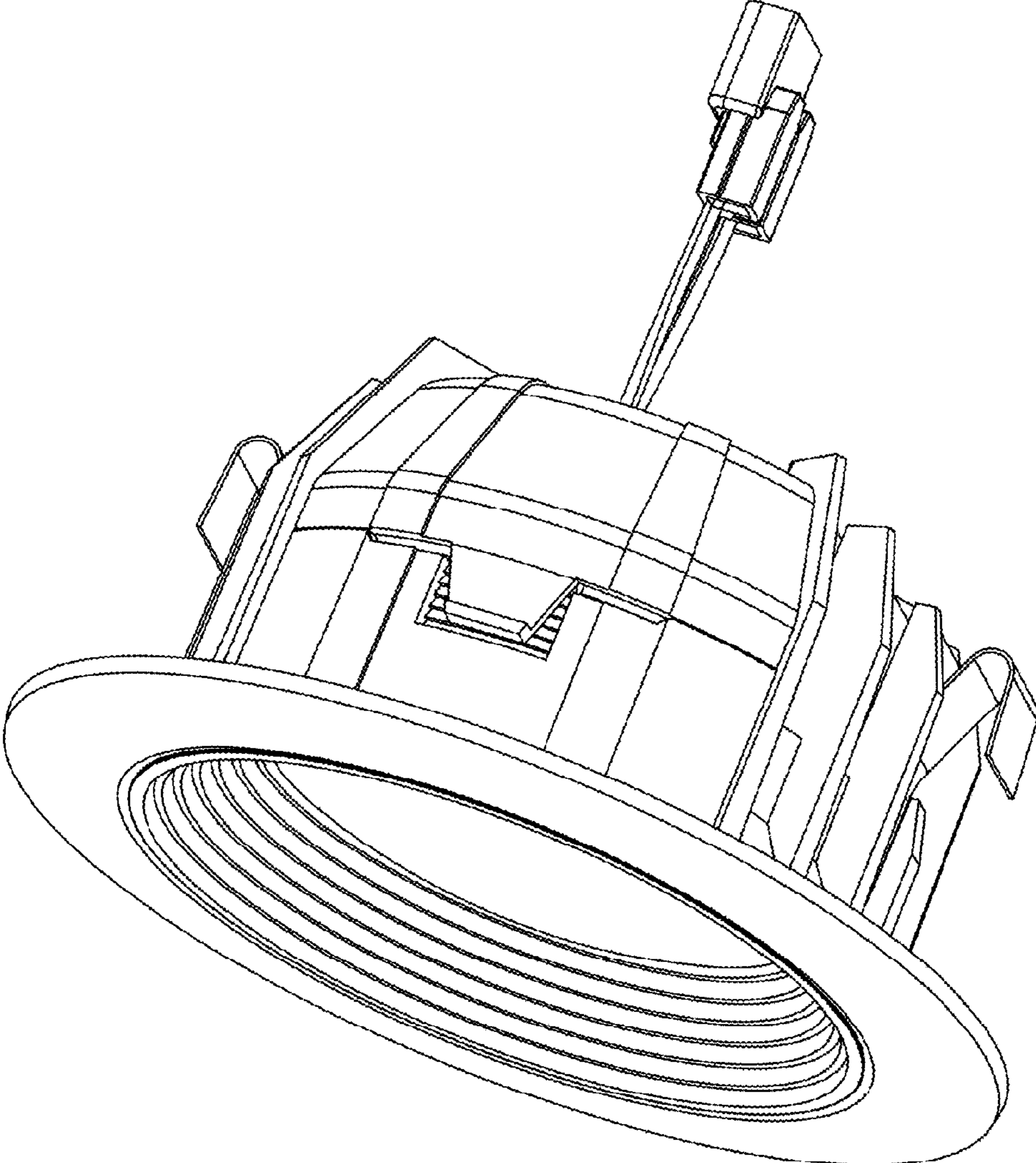


FIG. 2

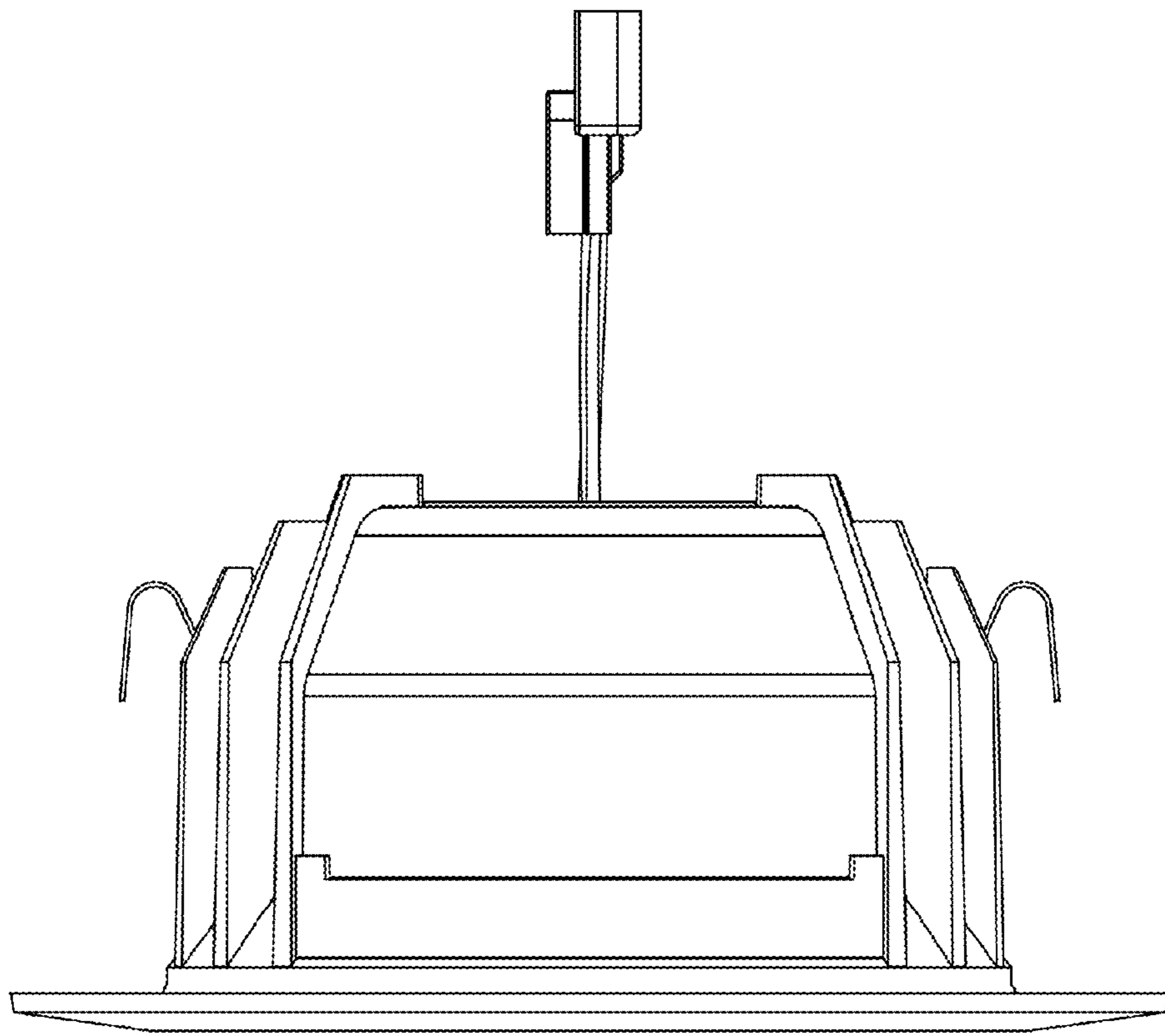


FIG. 3

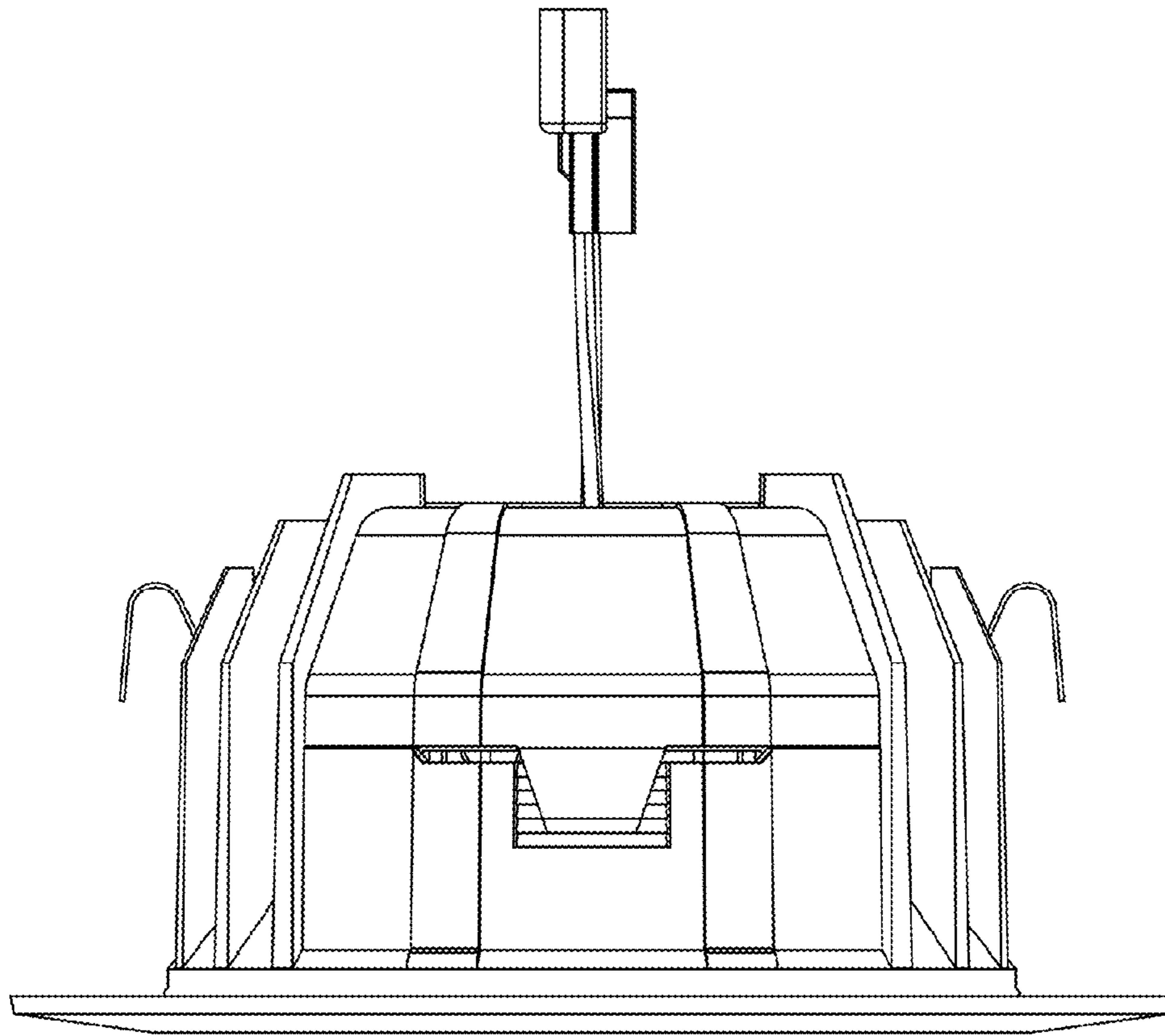


FIG. 4

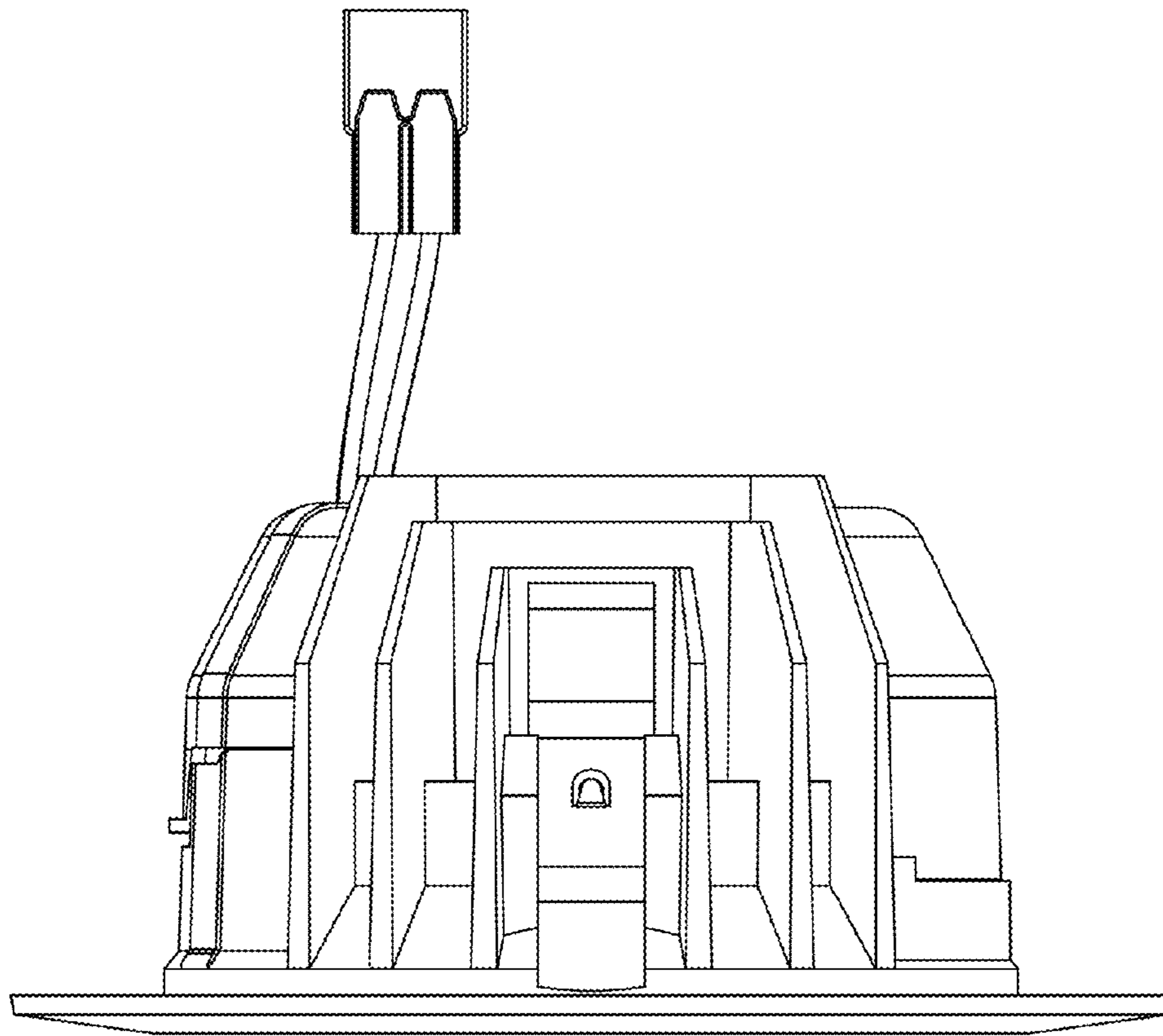


FIG. 5

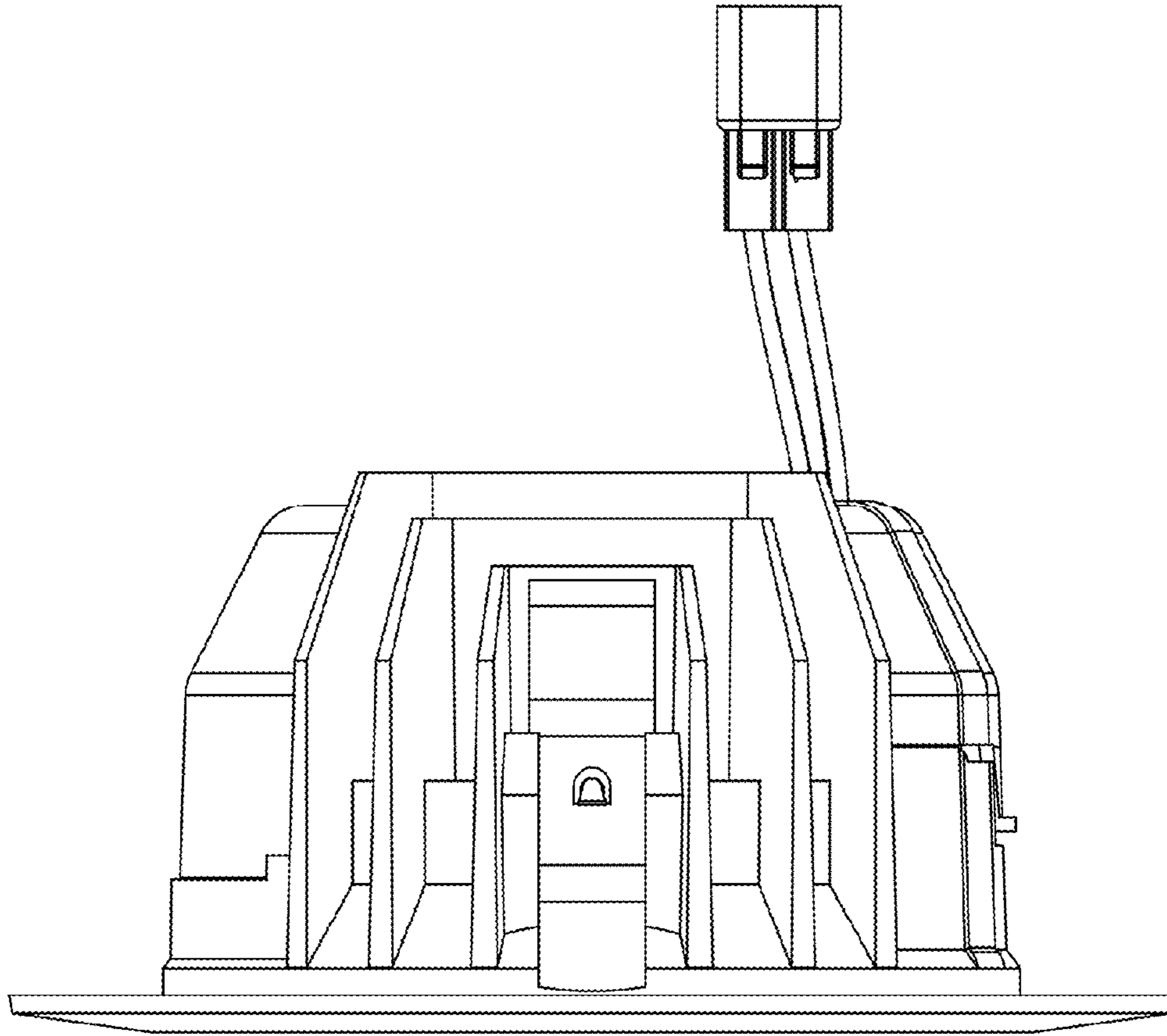


FIG. 6

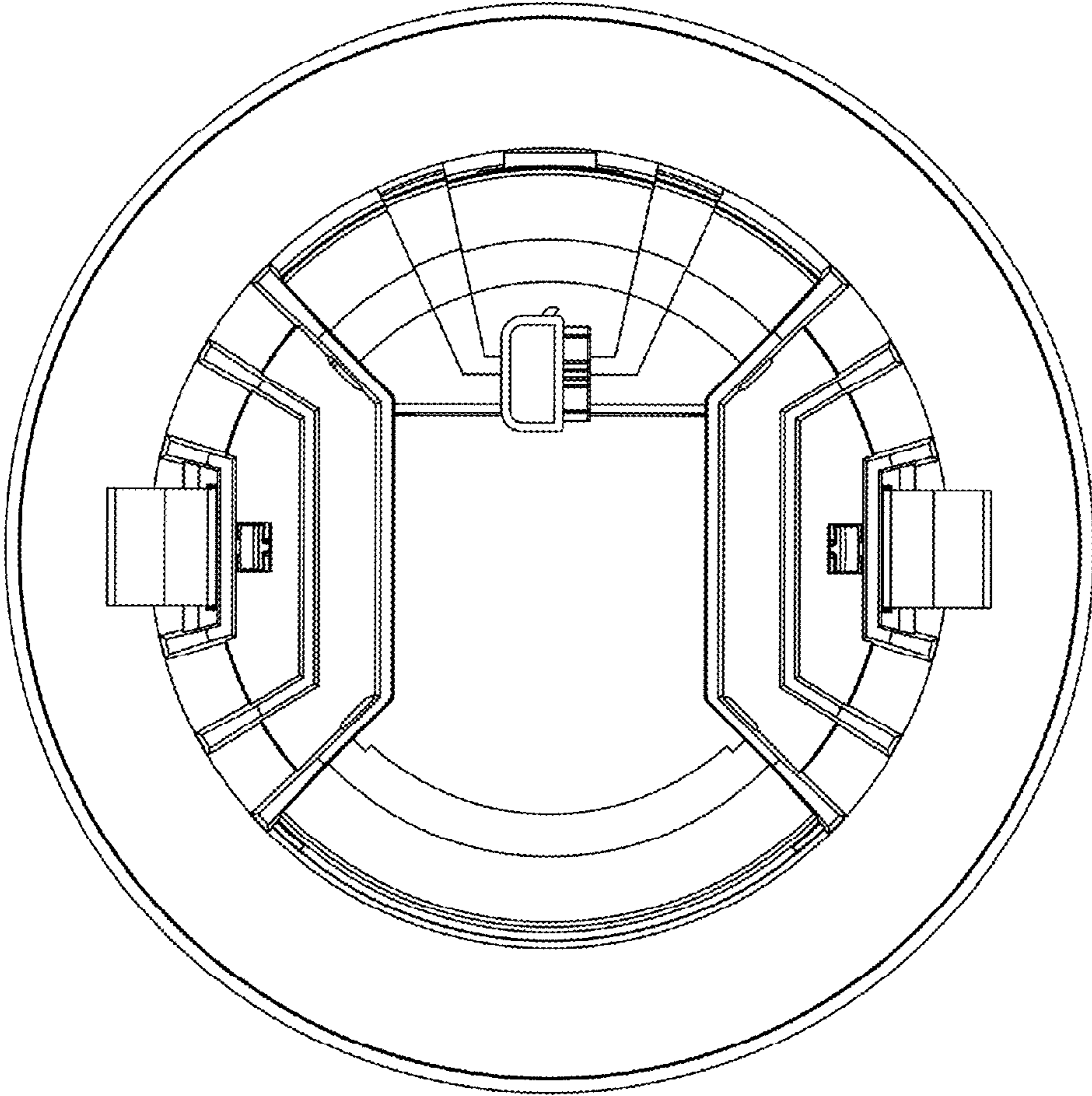


FIG. 7



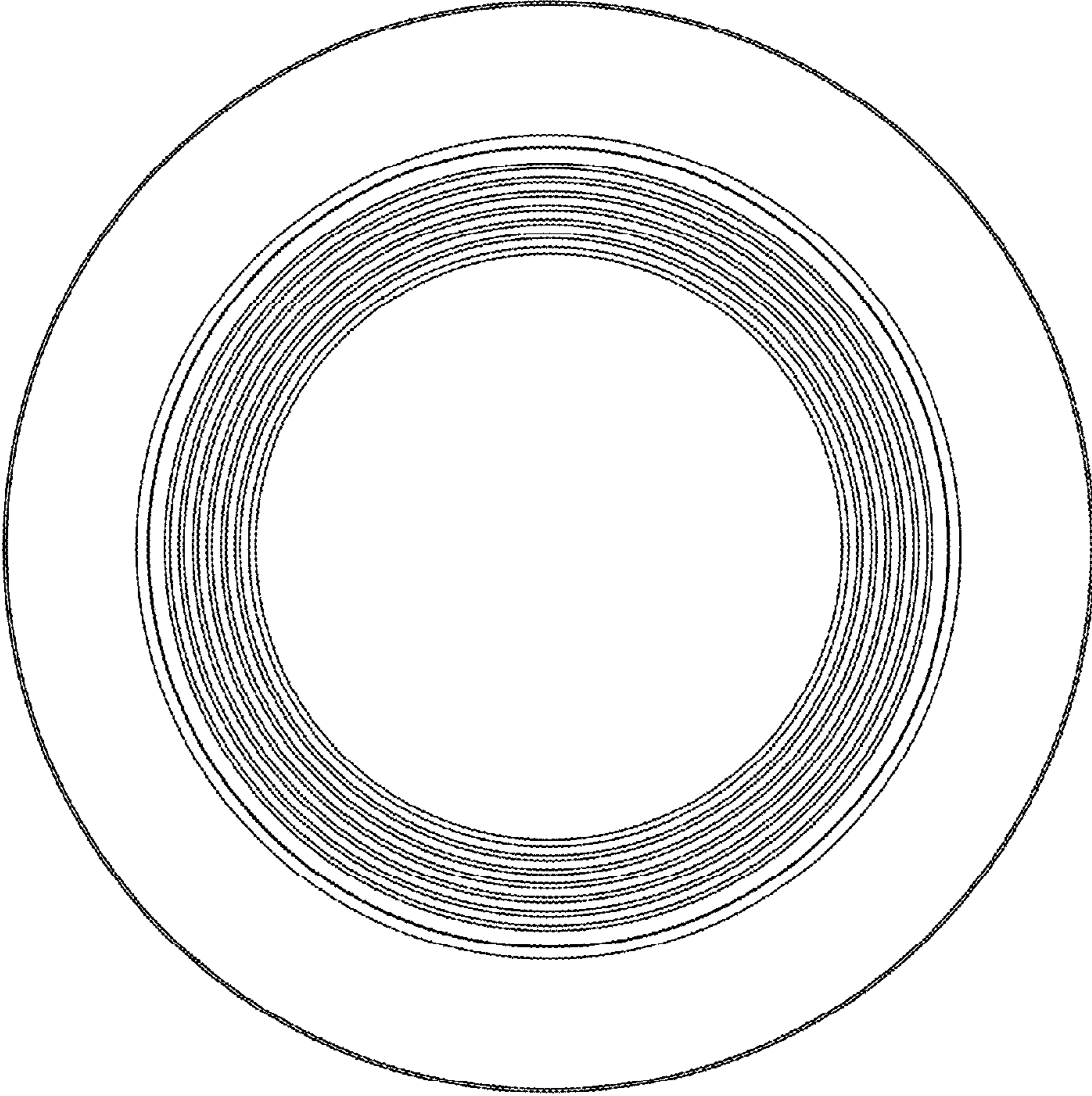


FIG. 8