



US00D768324S

(12) **United States Design Patent**  
**Waldmann**

(10) **Patent No.:** **US D768,324 S**

(45) **Date of Patent:** **\*\* Oct. 4, 2016**

(54) **LAMP**

(71) Applicant: **Herbert Waldmann GmbH & Co. KG**, Villingen-Schwenningen (DE)

(72) Inventor: **Gerhard Waldmann**, Stein am Rhein (CH)

(73) Assignee: **HERBERT WALDMANN GMBH & CO. KG**, Villingen-Schwenningen (DE)

(\*\*) Term: **15 Years**

(21) Appl. No.: **29/550,844**

(22) Filed: **Jan. 7, 2016**

(30) **Foreign Application Priority Data**

Feb. 14, 2014 (DE) ..... 40 2014 100 151

(51) **LOC (10) Cl.** ..... **26-03**

(52) **U.S. Cl.**  
USPC ..... **D26/63**

(58) **Field of Classification Search**  
USPC ..... D26/24, 61-67, 93, 102, 104-105,  
D26/108-10, 107

CPC ..... F21V 21/088; F21V 21/0885; F21V  
21/331; F21S 6/003

See application file for complete search history.

(56) **References Cited**

**U.S. PATENT DOCUMENTS**

D269,297 S *	6/1983	Lebowitz	.....	D26/60
D566,317 S *	4/2008	Meda	.....	D26/62
D600,849 S *	9/2009	Osgerby	.....	D26/107
D611,634 S *	3/2010	Newhouse	.....	D26/61
D623,329 S *	9/2010	Huang	.....	D26/63
D663,456 S *	7/2012	Huang	.....	D26/63
D674,531 S *	1/2013	Yuen	.....	D26/93
D690,858 S *	10/2013	Citterio	.....	D26/63

**OTHER PUBLICATIONS**

Design protection Neue APL and Tobias Grau APL John and o. Klaus-Jurgen Hahan to: Wolfgang Auber, Sabine Roseman, Oct. 10, 2013, file:///C:/temp/noteC44CCE/-web2487.htm, dated Feb. 3, 2016, 2 pgs.-German, 1 pg. English.

Oami-Online-RCD-Online-Registered design search-information on G . . . , HABM. The Office of the European Union for the registration of Trademarks and industrial designs, No. of the industrial design 002220640-0005, [http://oami.europa.eu/RCDOnline/Request\\_Manager\\_dated\\_October\\_15](http://oami.europa.eu/RCDOnline/Request_Manager_dated_October_15), 2013, 3 pgs.—German; 3 pgs.—English.

Oami-Online-RCD-Online-Registered design search-information on G . . . , The Office of the European Union for the registration of Trademarks and industrial designs, No. of the industrial design 002220640-0006, [http://oami.europa.eu/RCDOnline/Request\\_Manager\\_dated\\_October\\_15](http://oami.europa.eu/RCDOnline/Request_Manager_dated_October_15), 2013, 3 pgs.—German; 3 pgs.—English.

(Continued)

*Primary Examiner* — Brian N Vinson

(74) *Attorney, Agent, or Firm* — Andrew F. Young, Esq.; Lackenbach Siegel, LLP

(57) **CLAIM**

The ornamental design for a lamp, as shown and described.

**DESCRIPTION**

FIG. 1 is a front perspective view of a lamp showing my new design;

FIG. 2 is left side elevational view thereof;

FIG. 3 is a right side elevational view thereof;

FIG. 4 is a rear elevational view thereof;

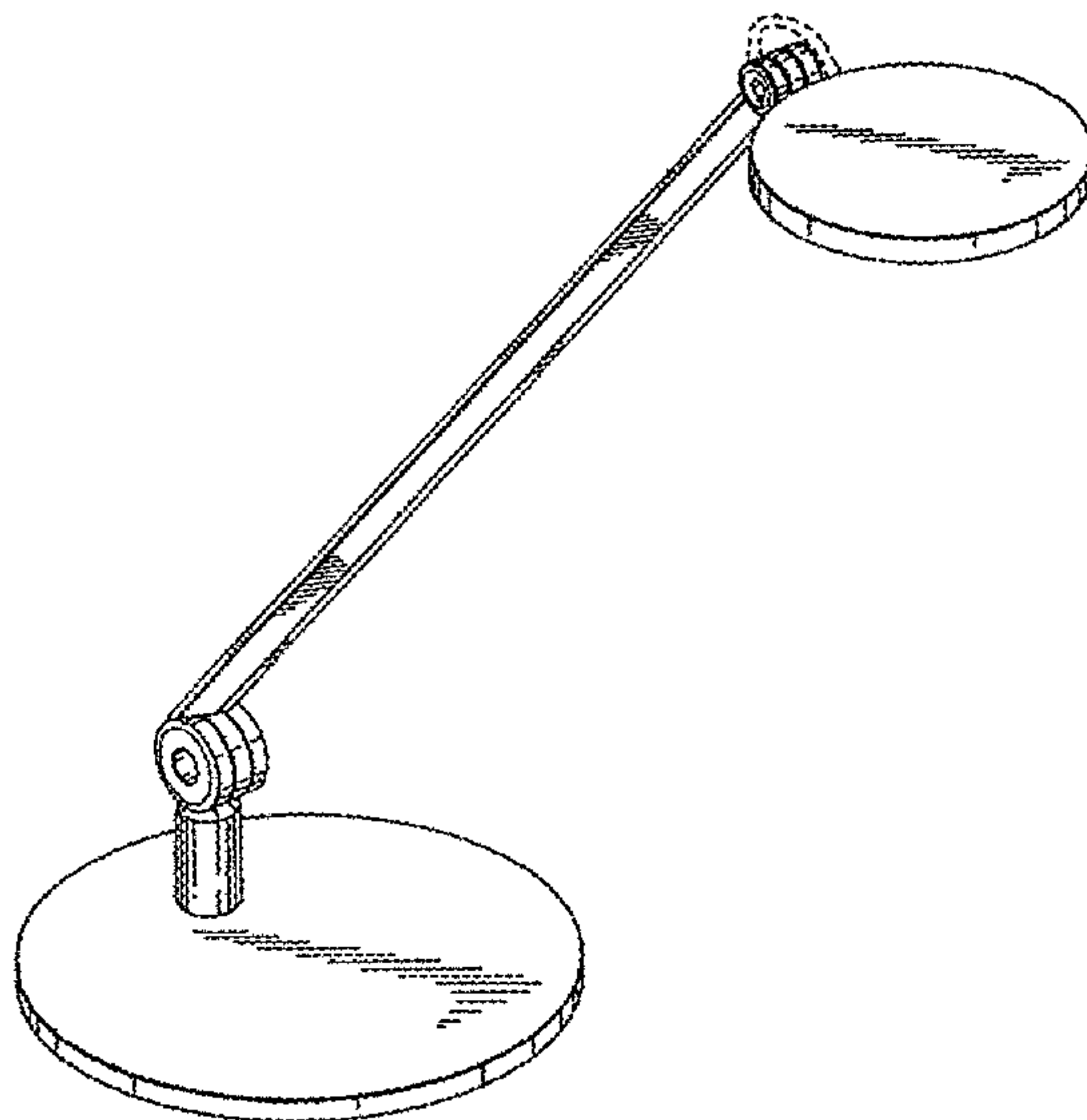
FIG. 5 is a front elevational view thereof;

FIG. 6 is a top plan view thereof; and,

FIG. 7 is a bottom plan view thereof.

The broken-line disclosure represents portions of the lamp which form no part of the claimed design.

**1 Claim, 5 Drawing Sheets**



(56)

**References Cited**

OTHER PUBLICATIONS

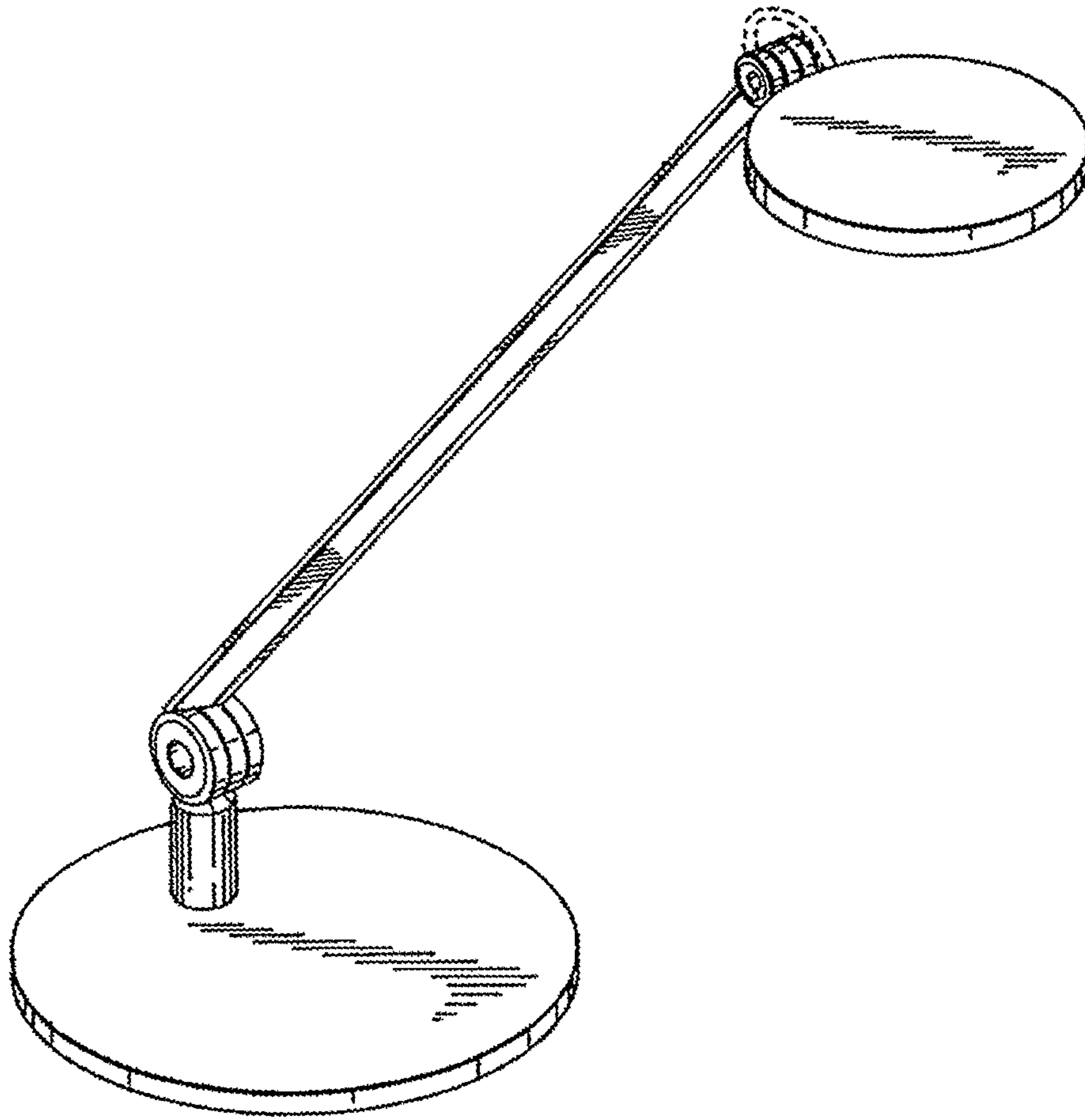
Oami-Online-RCD-Online-Registered design search-information on G . . . , The Office of the European Union for the registration of Trademarks and industrial designs, No. of the industrial design 002023820-0001, [http://oami.europa.eu/RCDOnline/Request\\_Manager\\_dated\\_October\\_15](http://oami.europa.eu/RCDOnline/Request_Manager_dated_October_15), 2013, 3 pgs.—German; 3 pgs.—English.

Oami-Online-RCD-Online-Registered design search-information on G . . . , The Office of the European Union for the registration of

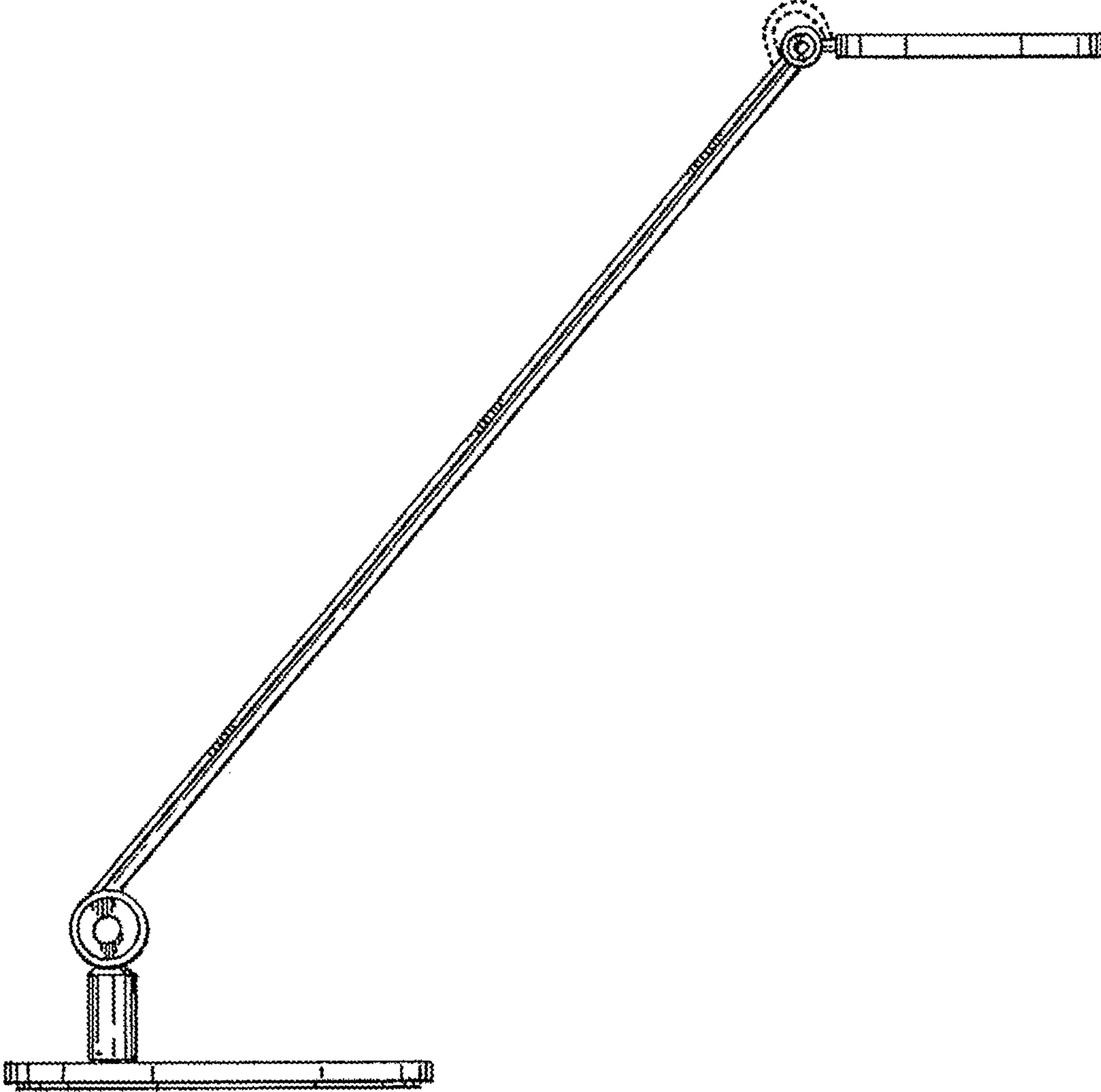
Trademarks and industrial designs, No. of the industrial design 001234351-0001, [http://oami.europa.eu/RCDOnline/Request\\_Manager\\_dated\\_October\\_15](http://oami.europa.eu/RCDOnline/Request_Manager_dated_October_15), 2013, 3 pgs.—German; 3 pgs.—English.

Oami-Online-RCD-Online-Registered design search-information on G . . . , The Office of the European Union for the registration of Trademarks and industrial designs, No. of the industrial design 001998089-0002, [http://oami.europa.eu/RCDOnline/Request\\_Manager\\_dated\\_October\\_15](http://oami.europa.eu/RCDOnline/Request_Manager_dated_October_15), 2013, 3 pgs.—German; 3 pgs.—English.

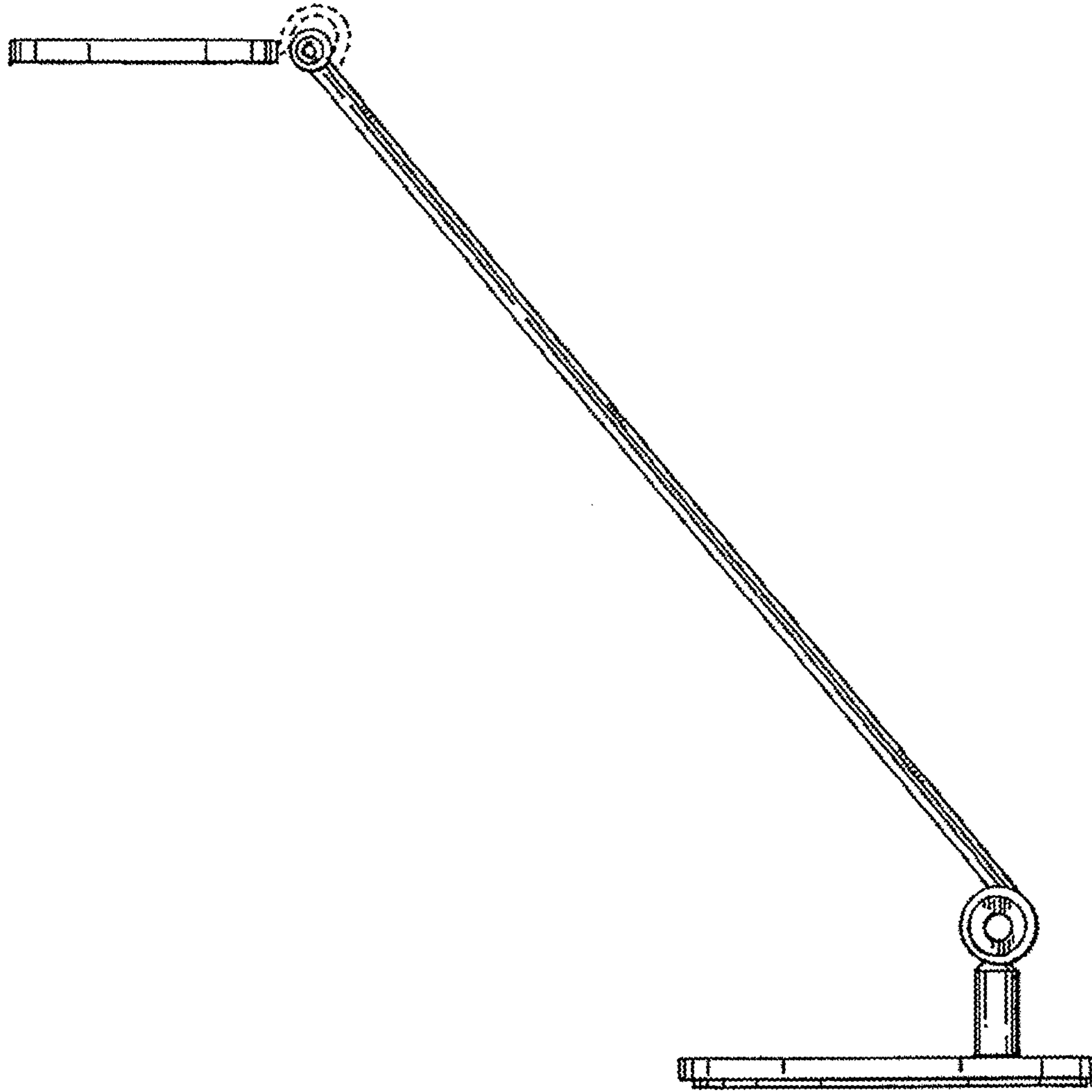
\* cited by examiner



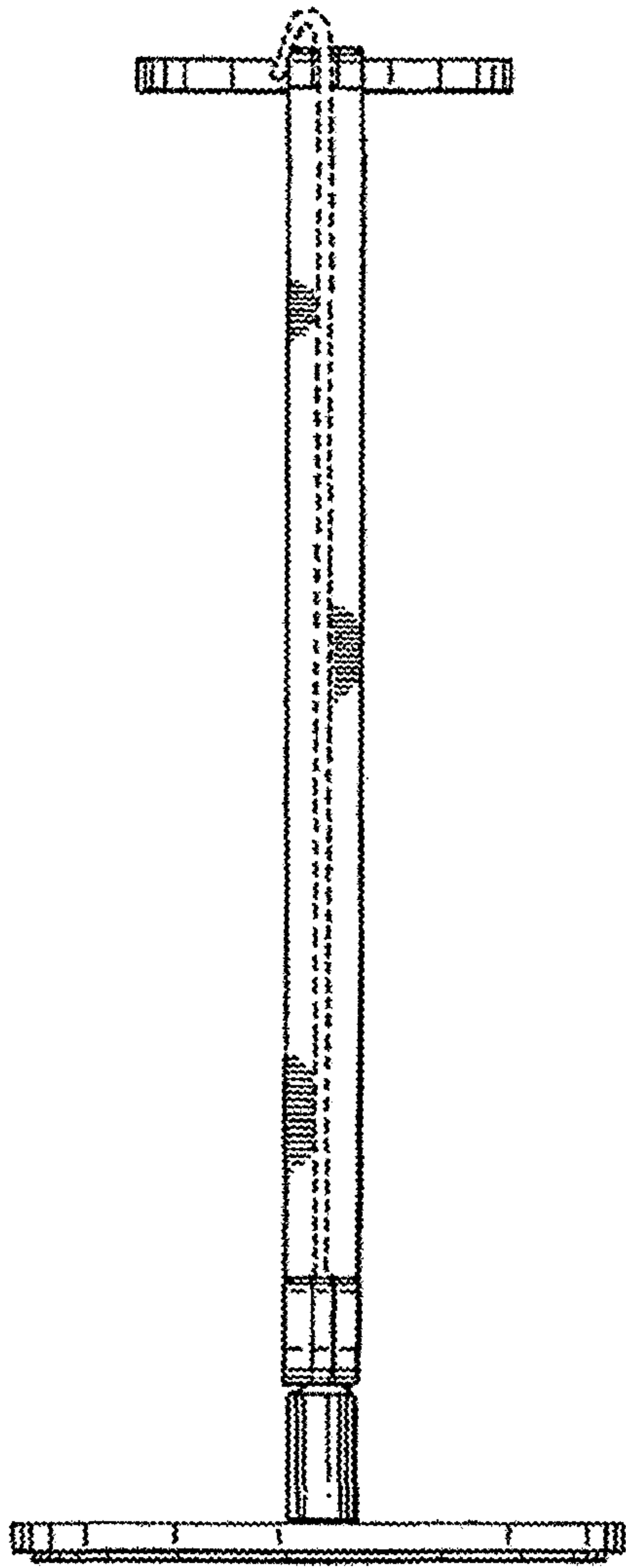
**Fig. 1**



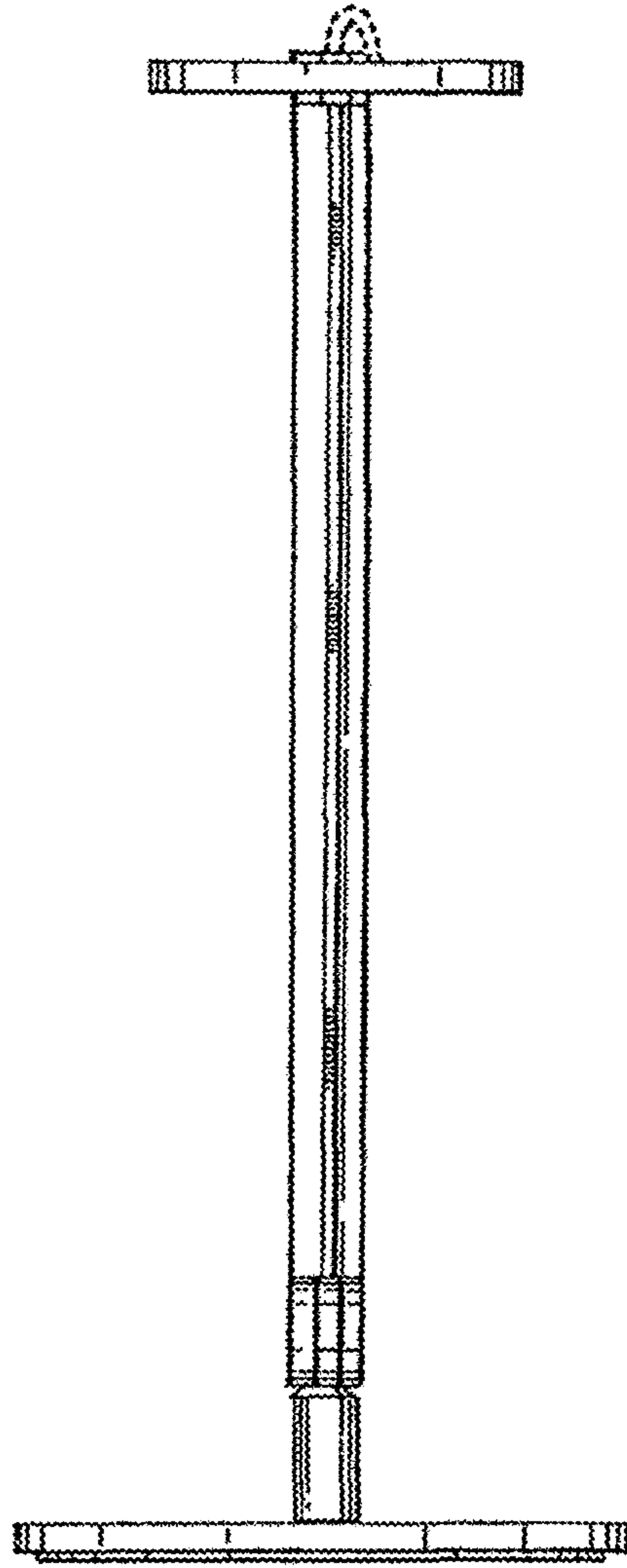
**Fig. 2**



**Fig. 3**

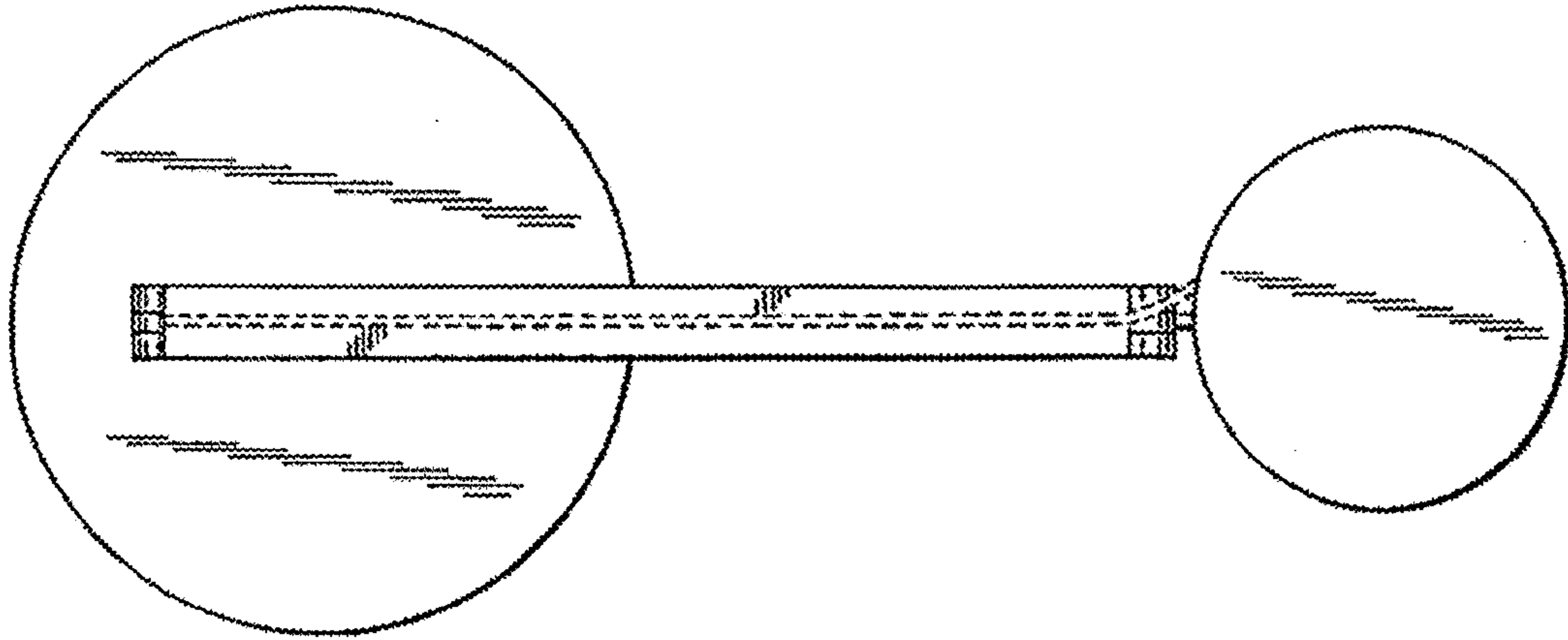


**Fig. 4**

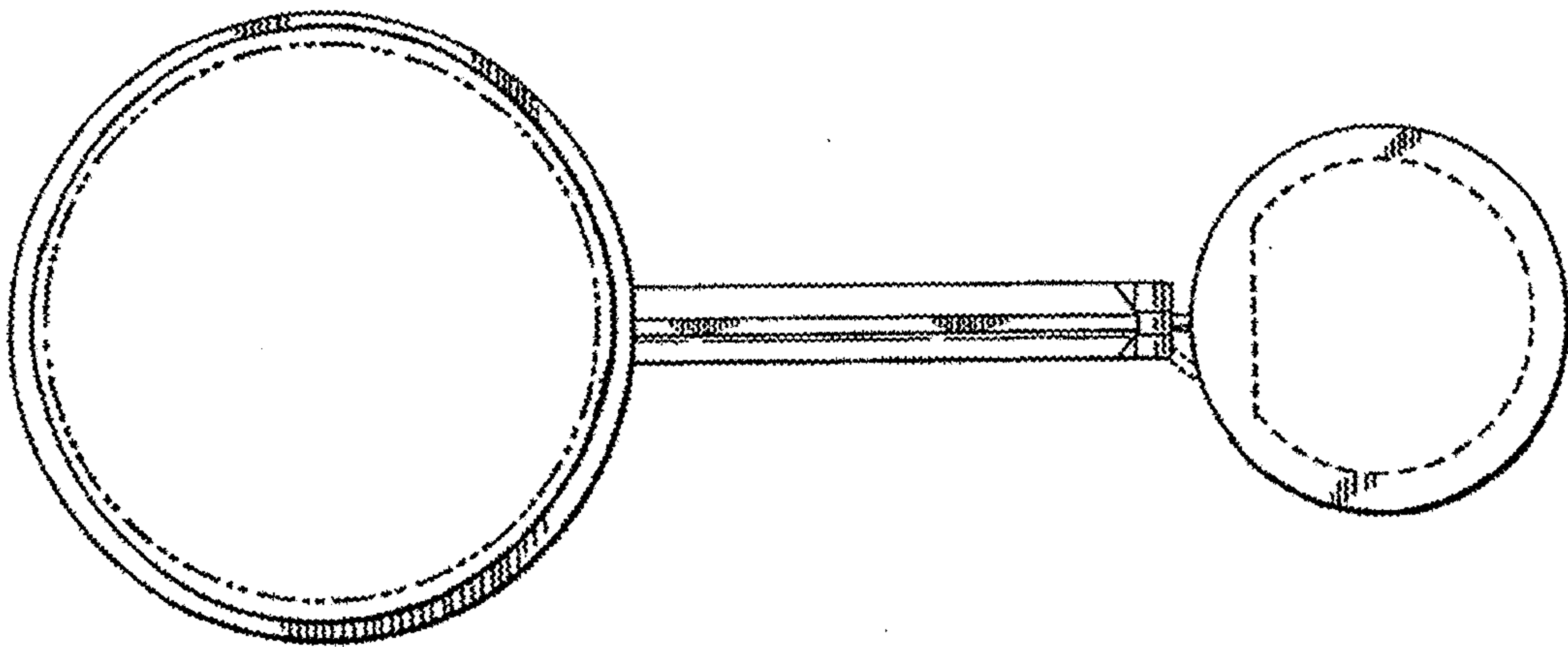


**Fig. 5**





**Fig. 6**



**Fig. 7**

UNITED STATES PATENT AND TRADEMARK OFFICE  
**CERTIFICATE OF CORRECTION**

PATENT NO. : D768,324 S  
APPLICATION NO. : 29/550844  
DATED : October 4, 2016  
INVENTOR(S) : Waldmann

Page 1 of 1

It is certified that error appears in the above-identified patent and that said Letters Patent is hereby corrected as shown below:

On The Title Page,

Insert

-- Related U.S. Application Data

(62) Division of application No. 29/498,977 filed on August 11, 2014, now Pat. Des. 755,420 --

Signed and Sealed this  
Twenty-ninth Day of November, 2016



Michelle K. Lee  
*Director of the United States Patent and Trademark Office*



UNITED STATES PATENT AND TRADEMARK OFFICE  
**CERTIFICATE OF CORRECTION**

PATENT NO. : D768,324 S  
APPLICATION NO. : 29/550844  
DATED : October 4, 2016  
INVENTOR(S) : Waldmann

Page 1 of 1

It is certified that error appears in the above-identified patent and that said Letters Patent is hereby corrected as shown below:

On the Title Page

Insert

-- Related U.S. Application Data

(62) Division of application No. 29/498,977 filed on August 11, 2014, now Pat. Des. 755,430 --

This certificate supersedes the Certificate of Correction issued November 29, 2016.

Signed and Sealed this  
Tenth Day of January, 2017



Michelle K. Lee  
*Director of the United States Patent and Trademark Office*