



US00D768323S

(12) **United States Design Patent**
Waldmann

(10) **Patent No.:** **US D768,323 S**
(45) **Date of Patent:** **** Oct. 4, 2016**

(54) **LAMP**

(71) Applicant: **Herbert Waldmann GmbH & Co. KG**, Villingen-Schwenningen (DE)

(72) Inventor: **Gerhard Waldmann**, Stein am Rhein (CH)

(73) Assignee: **HERBERT WALDMANN GMBH & CO. KG**, Villingen-Schwenningen (DE)

(**) Term: **15 Years**

(21) Appl. No.: **29/550,838**

(22) Filed: **Jan. 7, 2016**

Related U.S. Application Data

(62) Division of application No. 29/498,977, filed on Aug. 11, 2014, now Pat. No. Des. 755,430.

(30) **Foreign Application Priority Data**

Feb. 14, 2014 (DE) 40 2014 100 151

(51) **LOC (10) Cl.** **26-03**

(52) **U.S. Cl.**
USPC **D26/63**

(58) **Field of Classification Search**
USPC D26/24, 61-67, 93, 102, 104-105, D26/108-10, 107
CPC .. F21V 21/088; F21V 21/0885; F21V 21/30; F21S 6/003
See application file for complete search history.

(56) **References Cited**

U.S. PATENT DOCUMENTS

D269,297 S * 6/1983 Lebowitz D26/60
D566,317 S * 4/2008 Meda D26/62

D600,849 S * 9/2009 Osgerby D26/107
D611,634 S * 3/2010 Newhouse D26/61
D623,329 S * 9/2010 Huang D26/63
D663,456 S * 7/2012 Huang D26/63
D674,531 S * 1/2013 Yuen D26/93
D690,858 S * 10/2013 Citterio D26/63

OTHER PUBLICATIONS

Design protection Neue APL and Tobias Grau APL John and o. Klaus-Jurgen Hahan to: Wolfgang Auber, Sabine Roseman, Oct. 10, 2013, file:///C:/temp/noteC44CCE/-web2487.htm, dated Feb. 3, 2016, 2 pgs.—German, 1 pg. English.
OAMI-Online-RCD-Online-Registered design search-information on G . . . , HABM. The Office of the European Union for the registration of Trademarks and industrial designs, No. of the industrial design 002220640-0005, http://oami.europa.eu/RCDOnline/Request_Manager dated Oct. 15, 2013, 3 pgs.—German; 3 pgs.—English.

(Continued)

Primary Examiner — Brian N Vinson

(74) *Attorney, Agent, or Firm* — Andrew F. Young, Esq.; Lackenbach Siegel, LLP

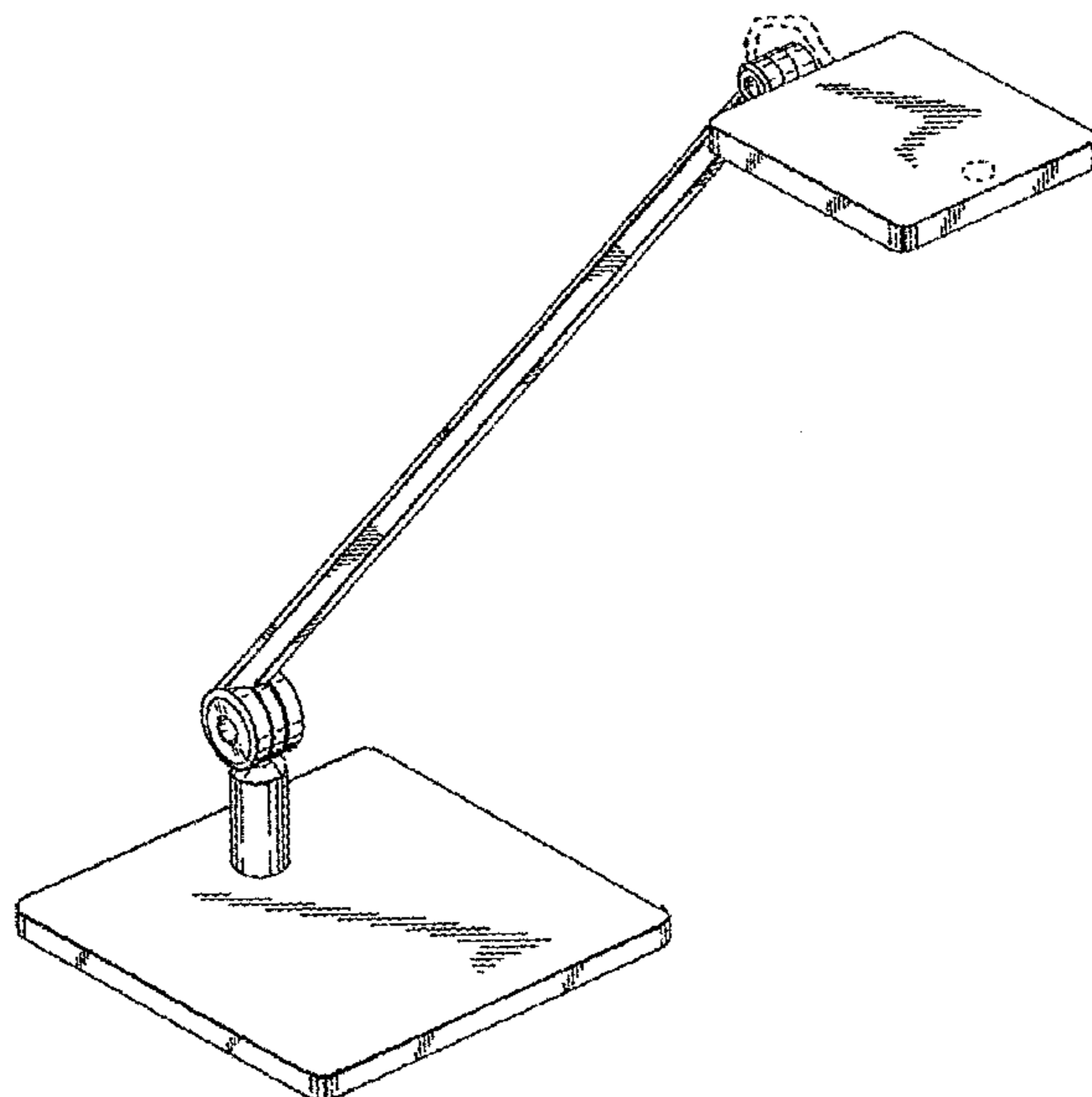
(57) **CLAIM**

The ornamental design for a lamp, as shown and described.

DESCRIPTION

FIG. 1 is a front perspective view of a lamp showing my new design;
FIG. 2 is left side elevational view thereof;
FIG. 3 is a right side elevational view thereof;
FIG. 4 is a rear elevational view thereof;
FIG. 5 is a front elevational view thereof;
FIG. 6 is a top plan view thereof; and,
FIG. 7 is a bottom plan view thereof.
The broken-line disclosure represents portions of the lamp which form no part of the claimed design.

1 Claim, 5 Drawing Sheets



(56)

References Cited

OTHER PUBLICATIONS

OAMI-Online-RCD-Online-Registered design search-information on G . . . , The Office of the European Union for the registration of Trademarks and industrial designs, No. of the industrial design 002220640-0006, http://oami.europa.eu/RCDOnline/Request_Manager dated Oct. 15, 2013, 3 pgs.—German; 3 pgs.—English.
OAMI-Online-RCD-Online-Registered design search-information on G . . . , The Office of the European Union for the registration of Trademarks and industrial designs, No. of the industrial design 002023820-0001, http://oami.europa.eu/RCDOnline/Request_Manager dated Oct. 15, 2013, 3 pgs.—German; 3 pgs.—English.

OAMI-Online-RCD-Online-Registered design search-information on G . . . , The Office of the European Union for the registration of Trademarks and industrial designs, No. of the industrial design 001234351-0001, http://oami.europa.eu/RCDOnline/Request_Manager dated Oct. 15, 2013, 3 pgs.—German; 3 pgs.—English.
OAMI-Online-RCD-Online-Registered design search-information on G . . . , The Office of the European Union for the registration of Trademarks and industrial designs, No. of the industrial design 001998089-0002, http://oami.europa.eu/RCDOnline/Request_Manager dated Oct. 15, 2013, 3 pgs.—German; 3 pgs.—English.

* cited by examiner

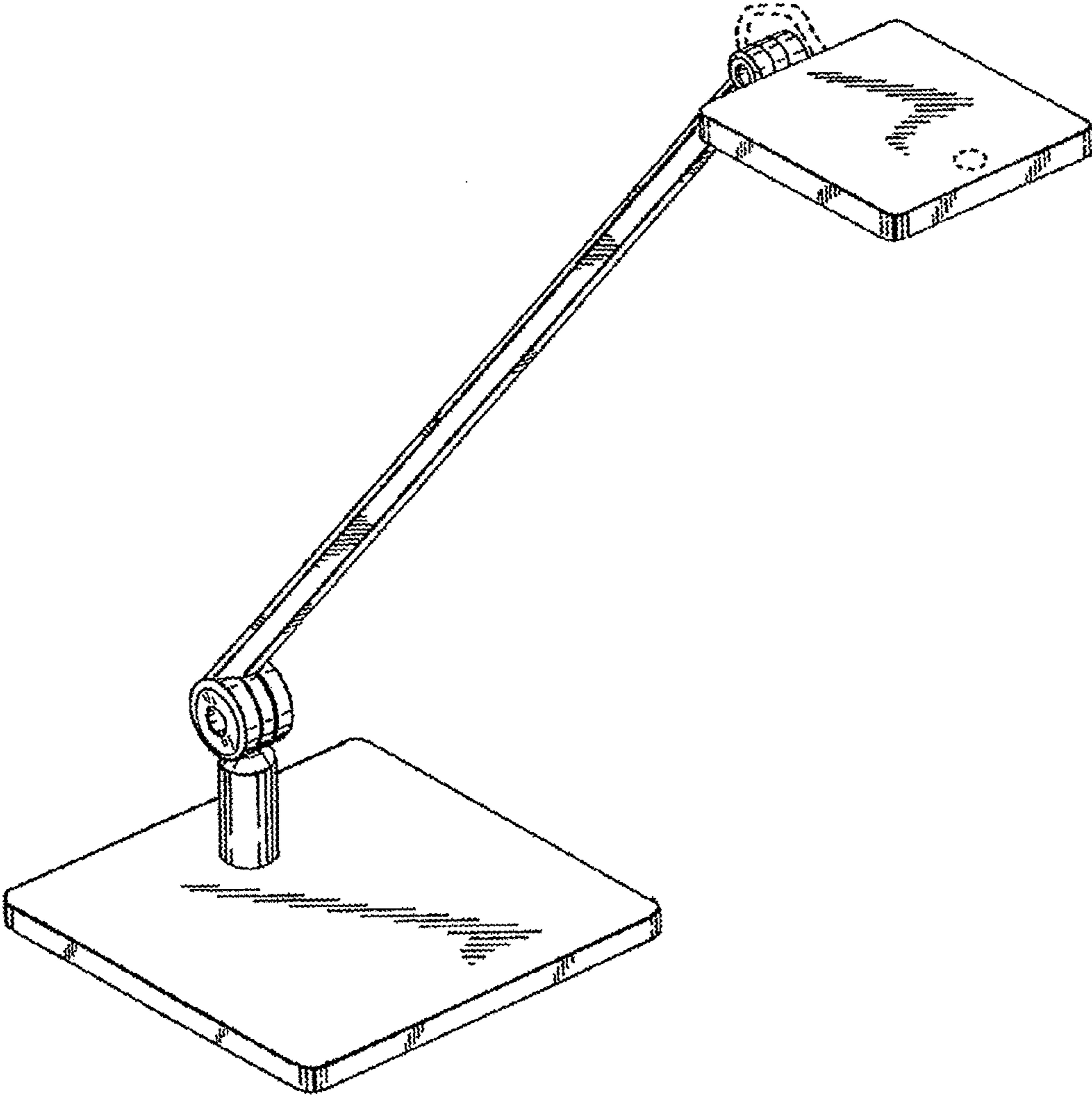


Fig. 1

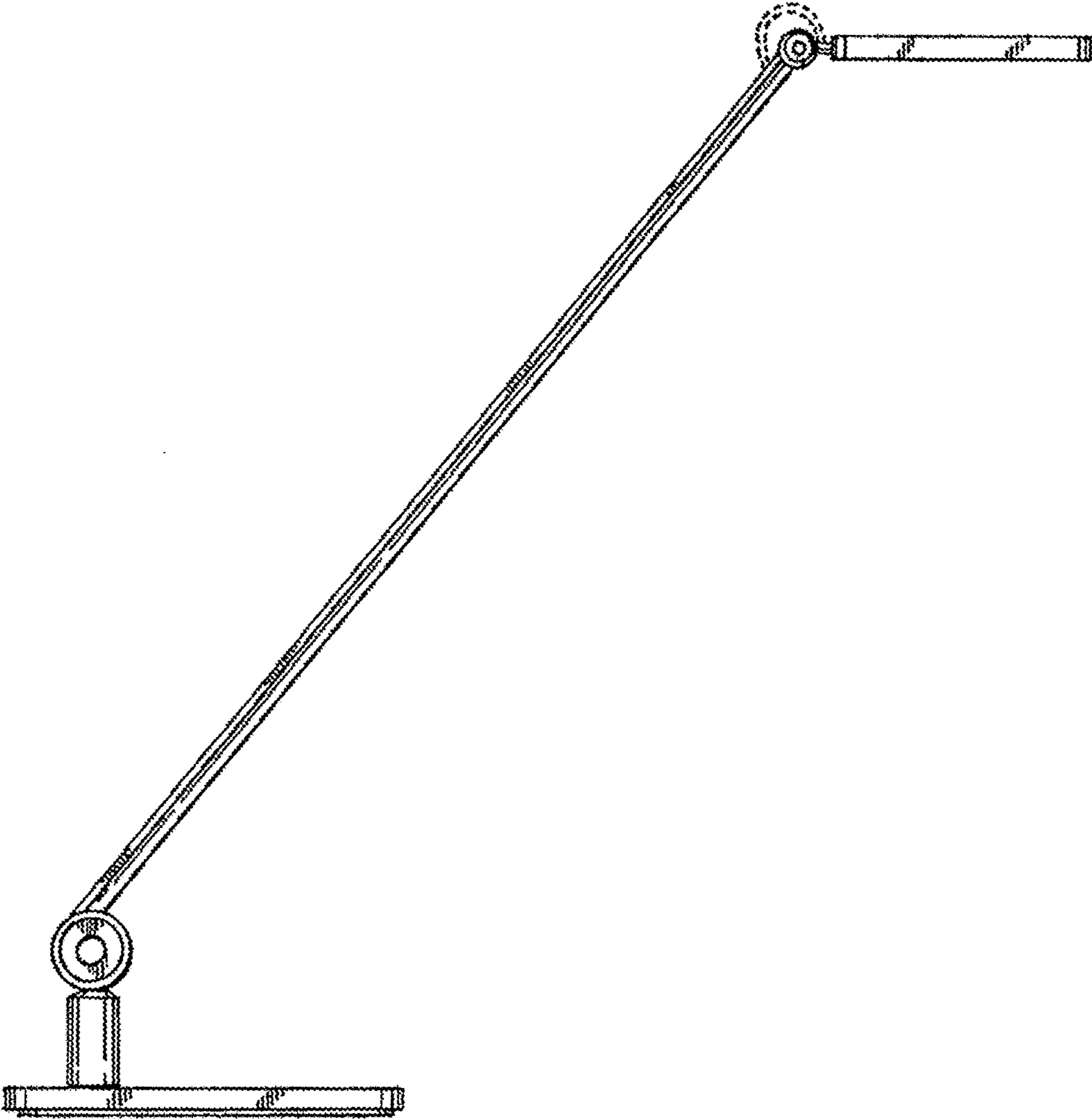


Fig. 2

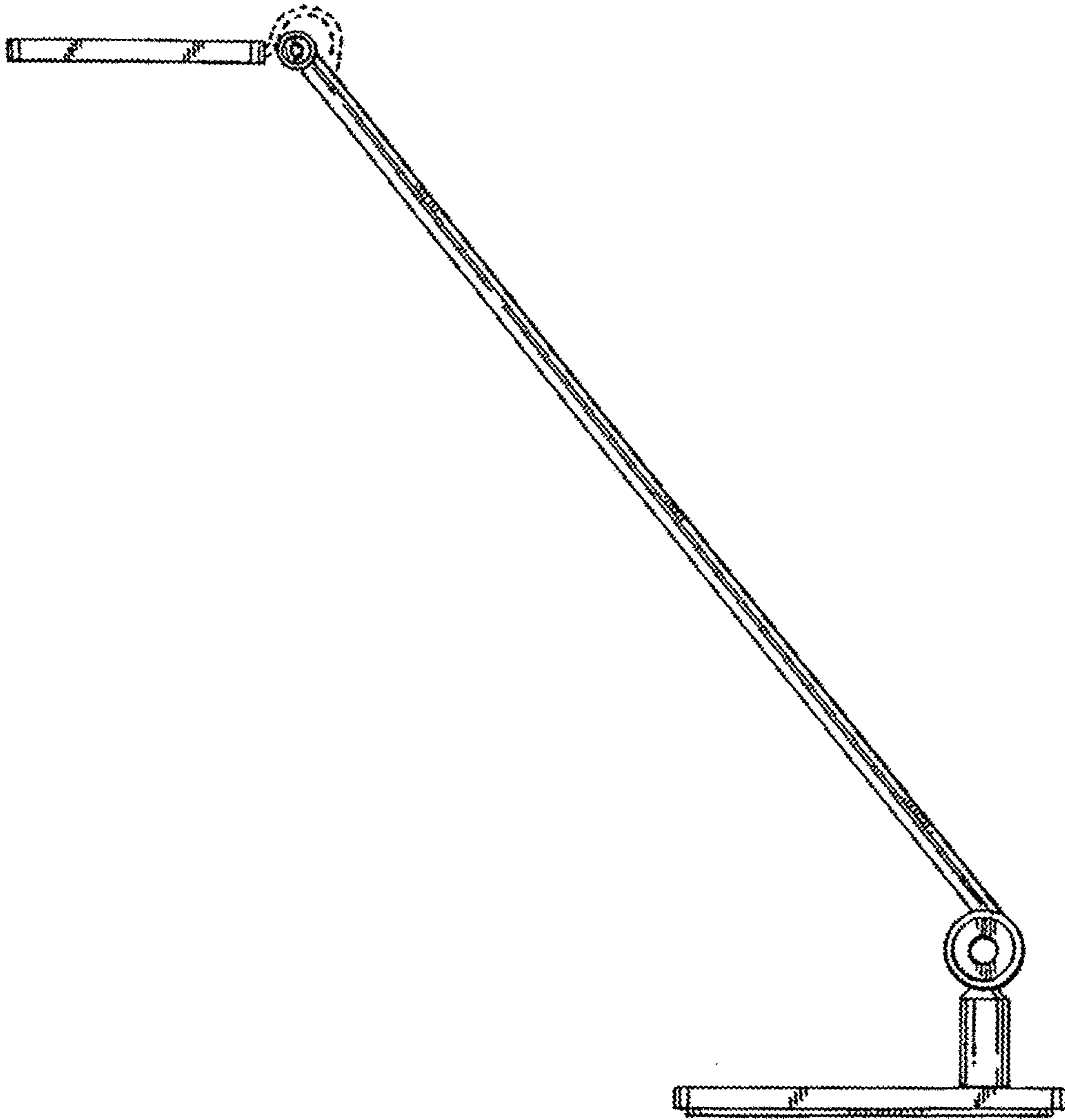


Fig. 3

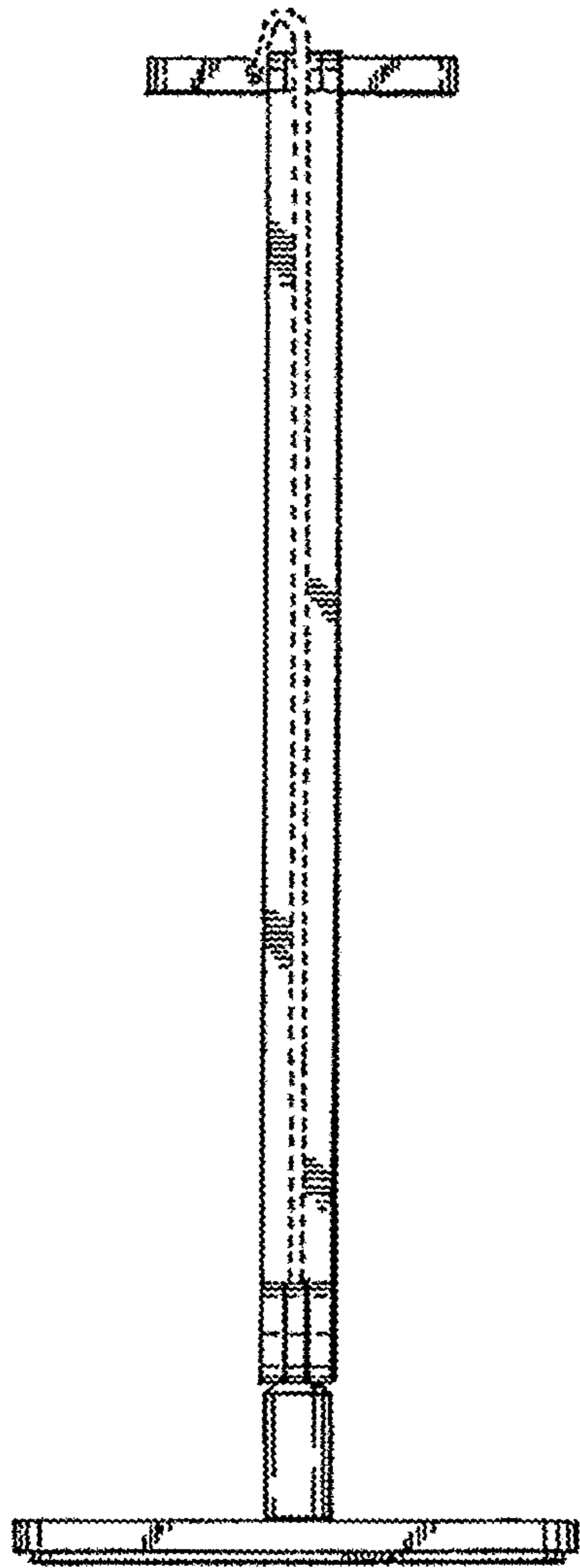


Fig. 4

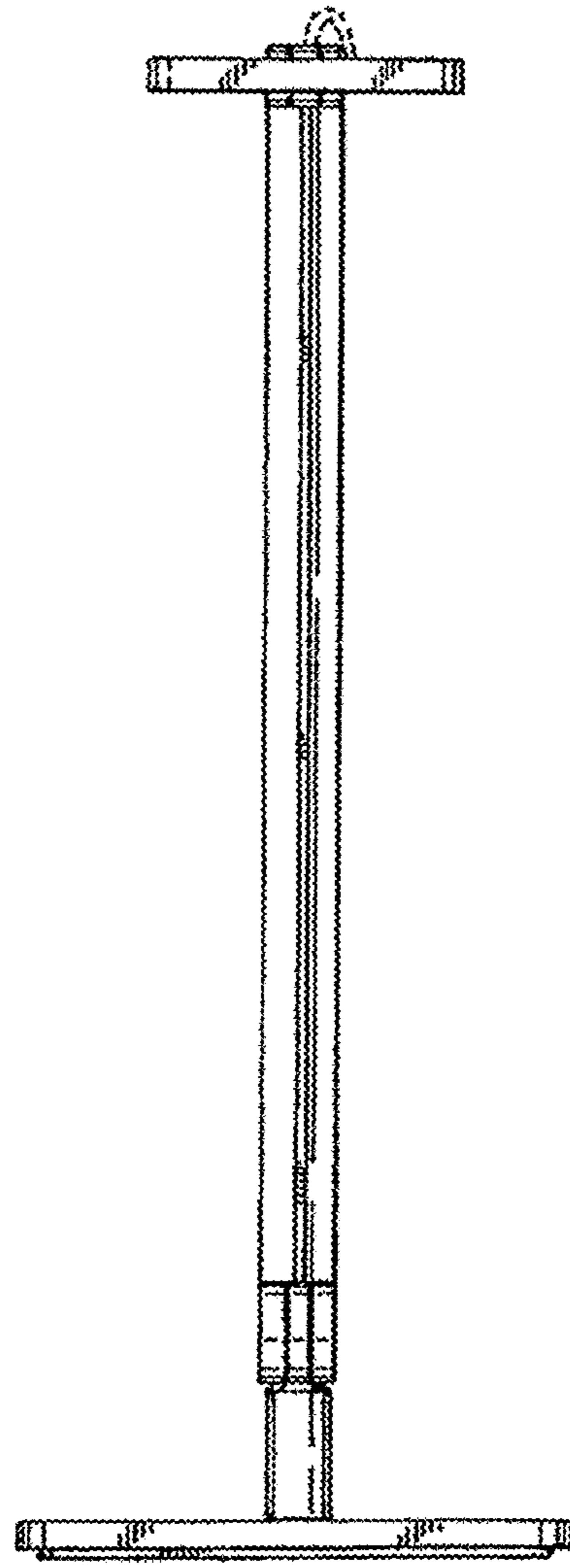


Fig. 5

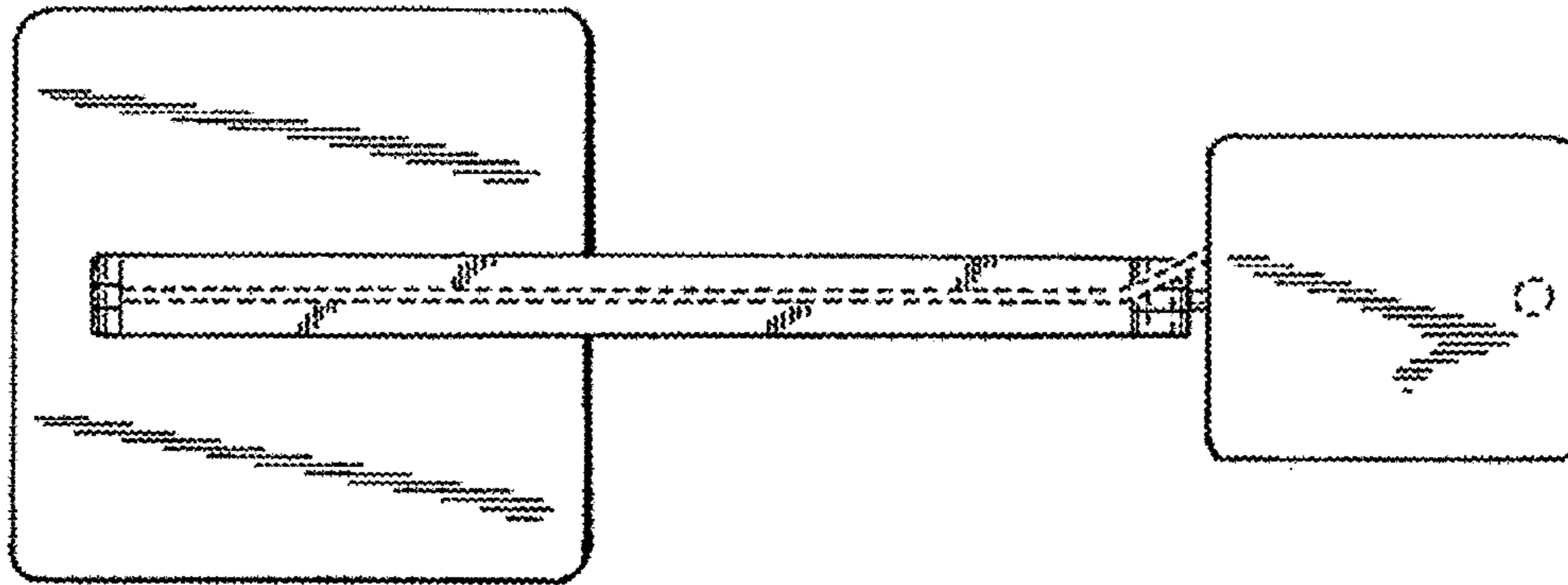


Fig. 6

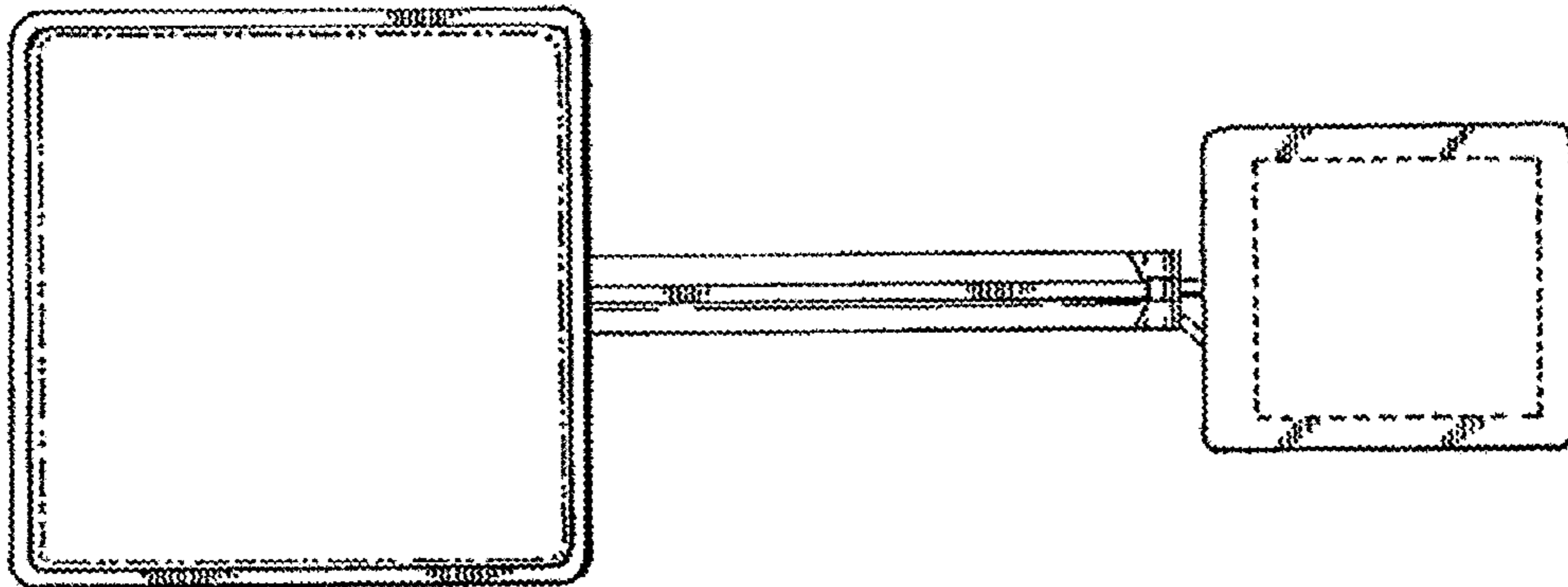


Fig. 7