



US00D768321S

(12) **United States Design Patent** (10) **Patent No.:** **US D768,321 S**
Inskeep (45) **Date of Patent:** **** Oct. 4, 2016**

(54) **WORK LIGHT**

(71) Applicant: **Mathew Inskeep**, Highland Beach, FL (US)

(72) Inventor: **Mathew Inskeep**, Highland Beach, FL (US)

(**) Term: **15 Years**

(21) Appl. No.: **29/532,538**

(22) Filed: **Jul. 8, 2015**

(51) **LOC (10) Cl.** **26-02**

(52) **U.S. Cl.**
USPC **D26/37**

(58) **Field of Classification Search**
USPC D26/37, 38, 40, 42, 44, 51; 362/157, 362/158, 183, 184, 194-196, 200-208, 253
CPC F21L 2003/00; F21L 4/00; F21L 4/005; F21L 4/02; F21L 4/025; F21L 4/027; F21L 4/04; F21L 4/08; F21L 2005/00; F21L 7/00; F21L 11/00; F21L 13/00; F21L 13/04; F21L 13/08; F21L 14/02; F21L 17/00
See application file for complete search history.

(56) **References Cited**

U.S. PATENT DOCUMENTS

D625,035 S *	10/2010	Vanderbeek	D26/48
D632,411 S *	2/2011	Vanderbeek	D26/38
8,087,797 B2 *	1/2012	Pelletier	F21L 2/00 362/190
8,262,248 B2 *	9/2012	Wessel	F16M 11/10 362/198
D693,951 S *	11/2013	Rugendyke	D26/44
D705,468 S *	5/2014	Tompkin	D26/44
D713,982 S *	9/2014	Tompkin	D26/49
D737,488 S *	8/2015	Chen	D26/42

D737,490 S *	8/2015	Tompkin	D26/44
D739,063 S *	9/2015	Su	D26/42
2003/0067771 A1 *	4/2003	Kung	F21V 21/06 362/191

* cited by examiner

Primary Examiner — Lakiya Rogers
Assistant Examiner — Carissa C Fitts

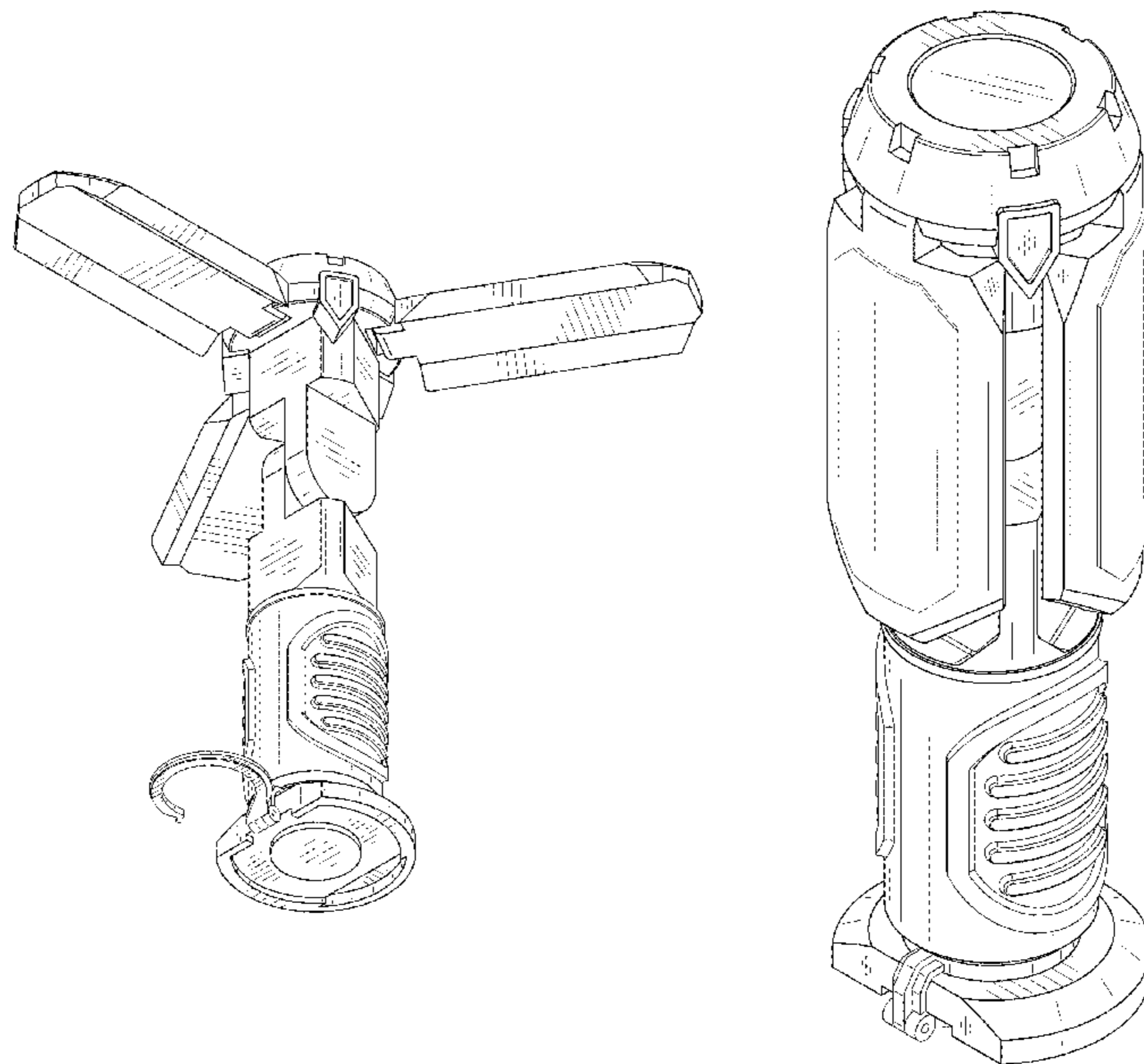
(57) **CLAIM**

The ornamental design for a work light, as shown and described.

DESCRIPTION

FIG. 1 is a top perspective view of the work light with panels open showing my new design.
FIG. 2 is a bottom perspective view with panels open and hook open.
FIG. 3 is a top view thereof with panels open.
FIG. 4 is a bottom view thereof with panels open.
FIG. 5 is a left side view thereof with panels open.
FIG. 6 is a right side view thereof with panels open.
FIG. 7 is a front view thereof with panels open.
FIG. 8 is a back view thereof with panels open.
FIG. 9 is a top perspective view thereof with panels closed.
FIG. 10 is a bottom perspective view thereof with panels closed and hook closed.
FIG. 11 is a top perspective view thereof.
FIG. 12 is a bottom perspective view thereof with hook open.
FIG. 13 is a left side perspective view thereof with panels closed.
FIG. 14 is a front perspective view thereof with panels closed; and,
FIG. 15 is a back perspective view thereof with panels and hook opened and head angled.

1 Claim, 14 Drawing Sheets



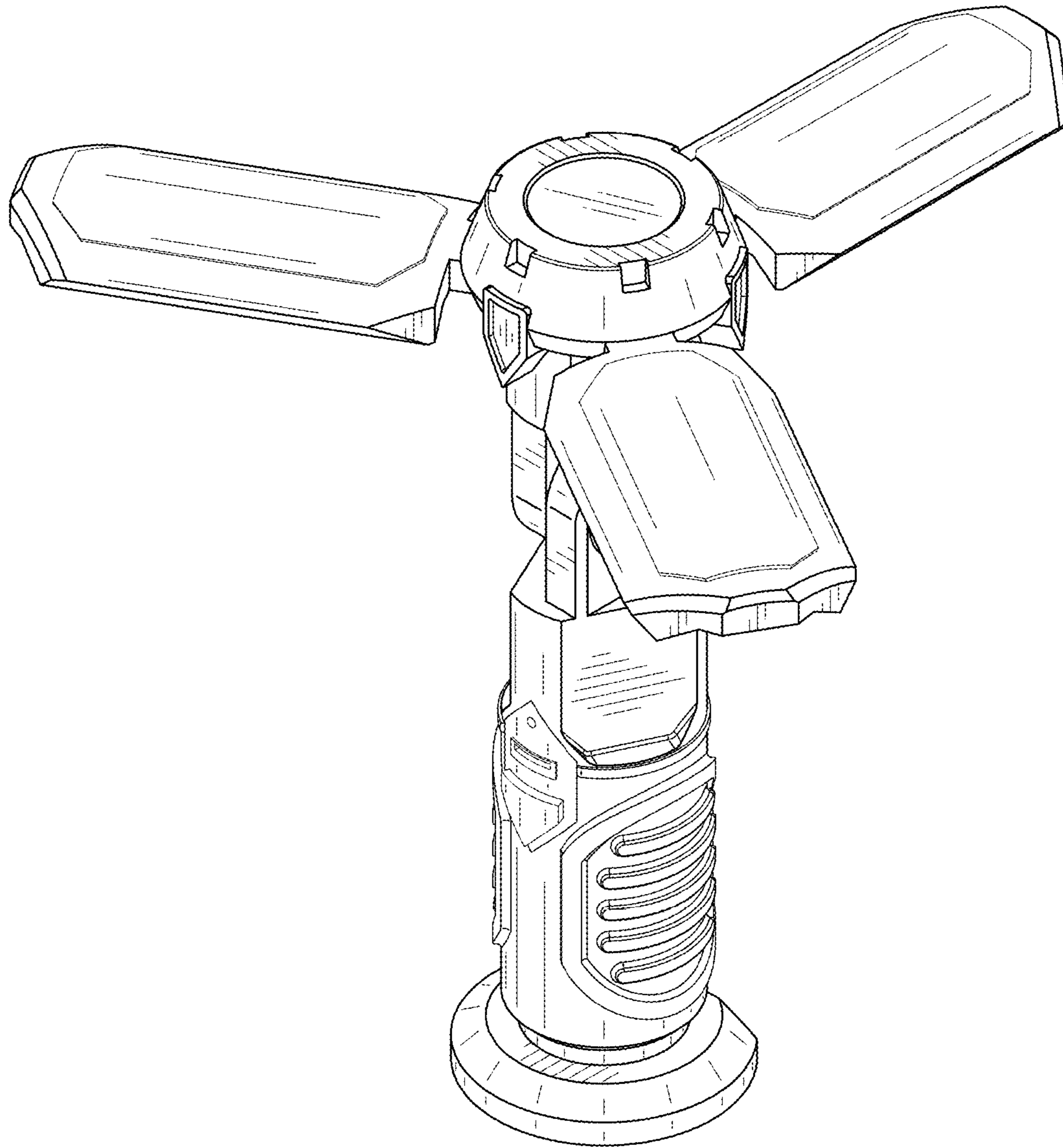


FIG. 1

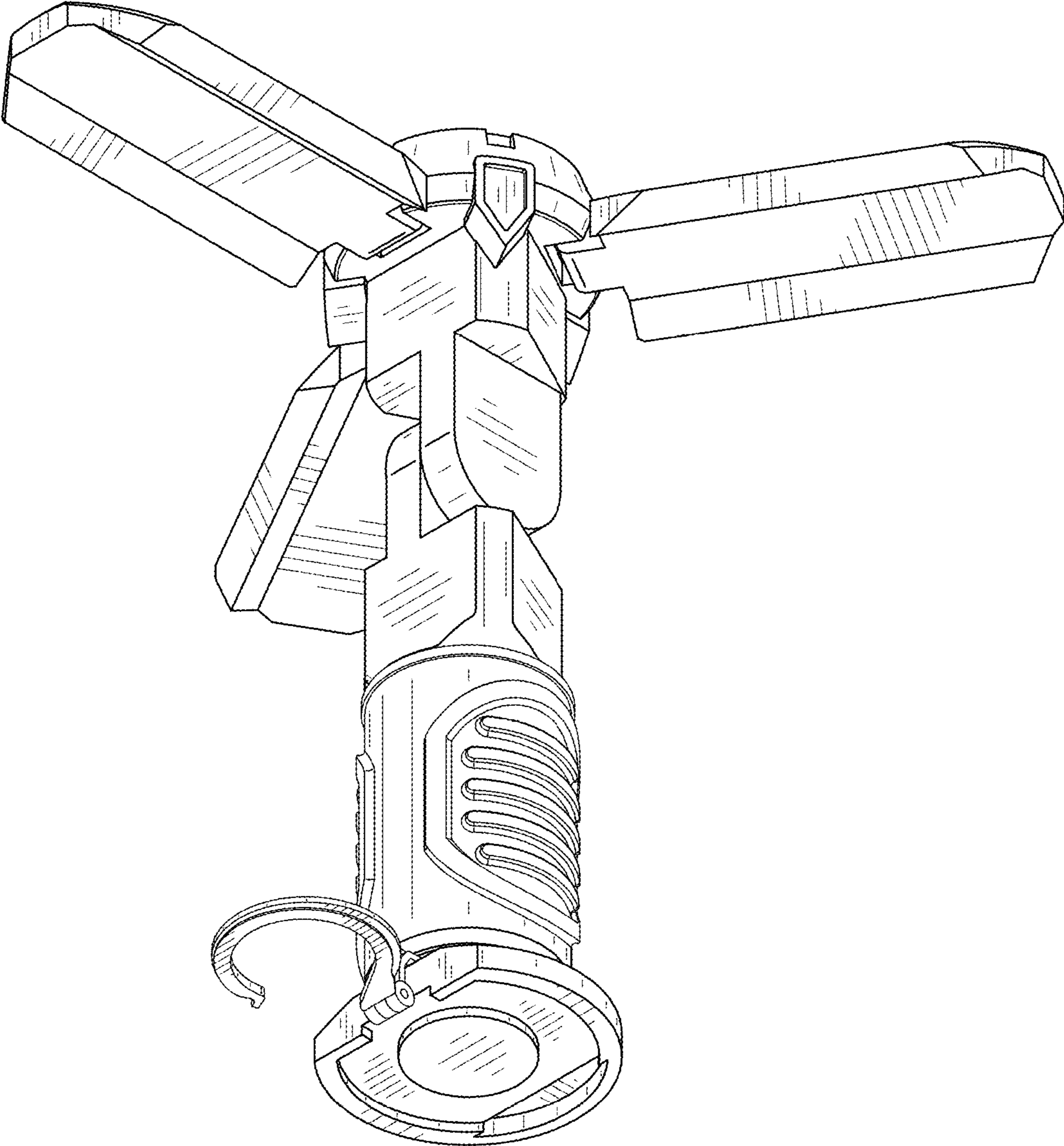


FIG. 2

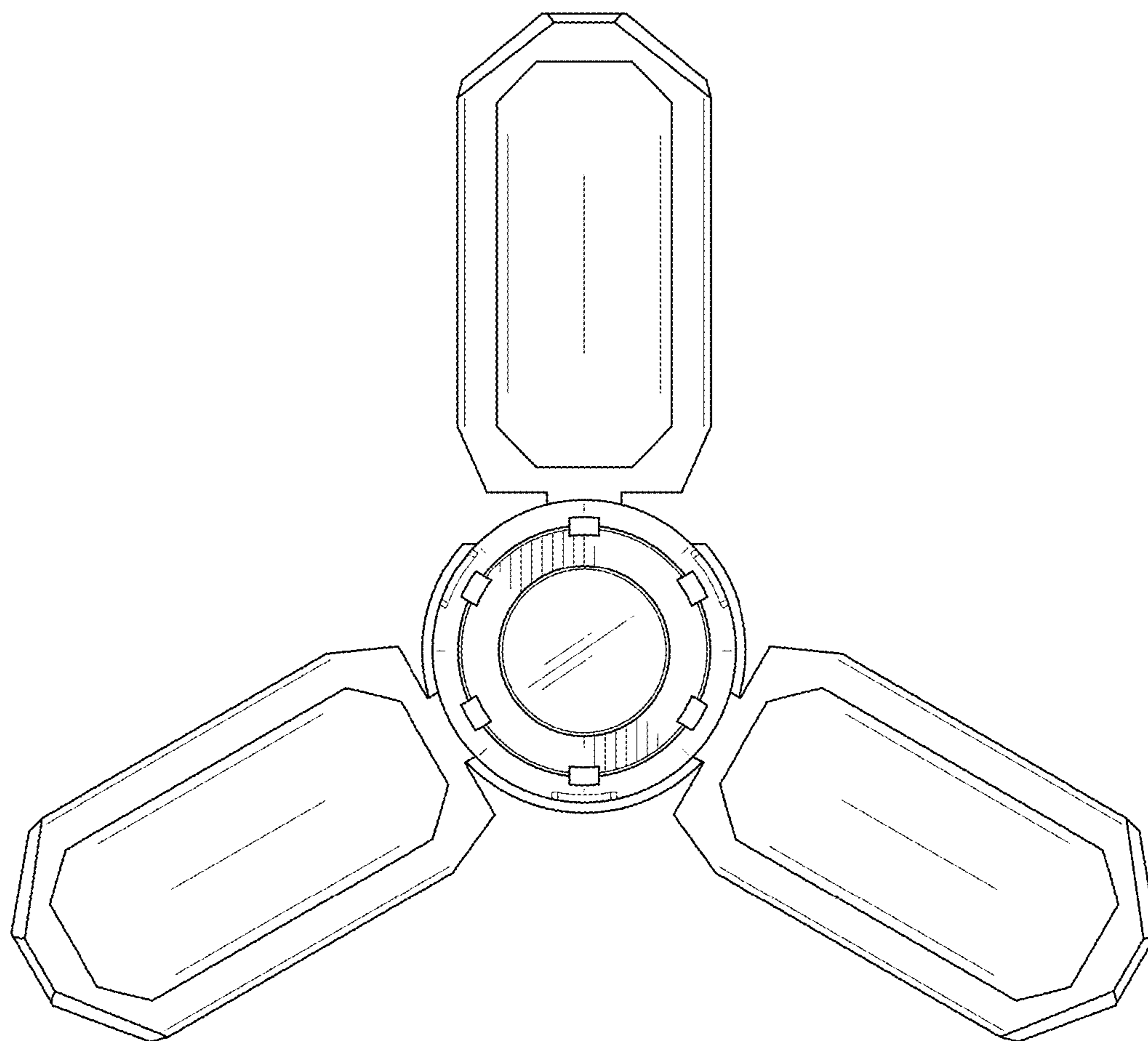


FIG. 3

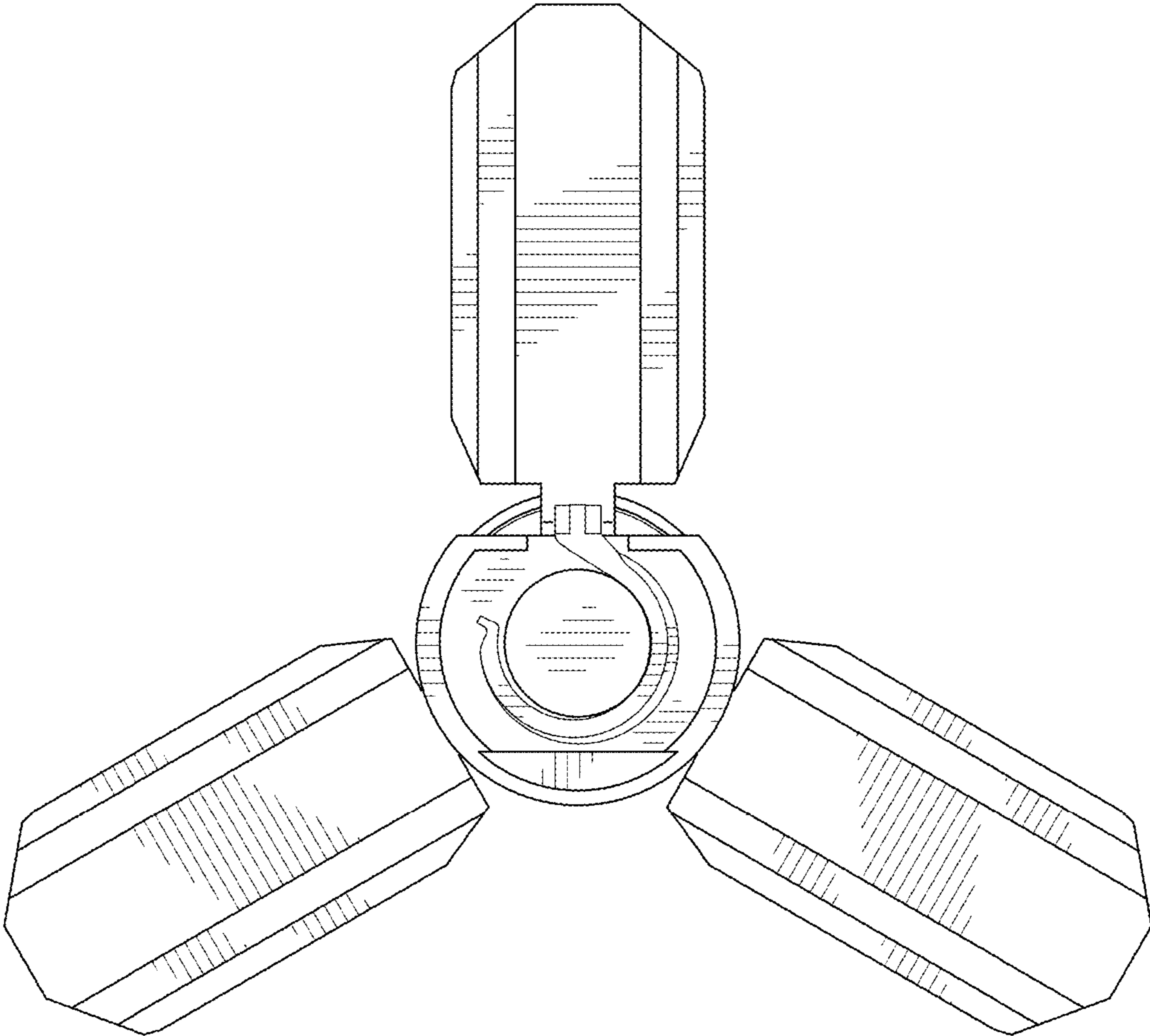


FIG. 4

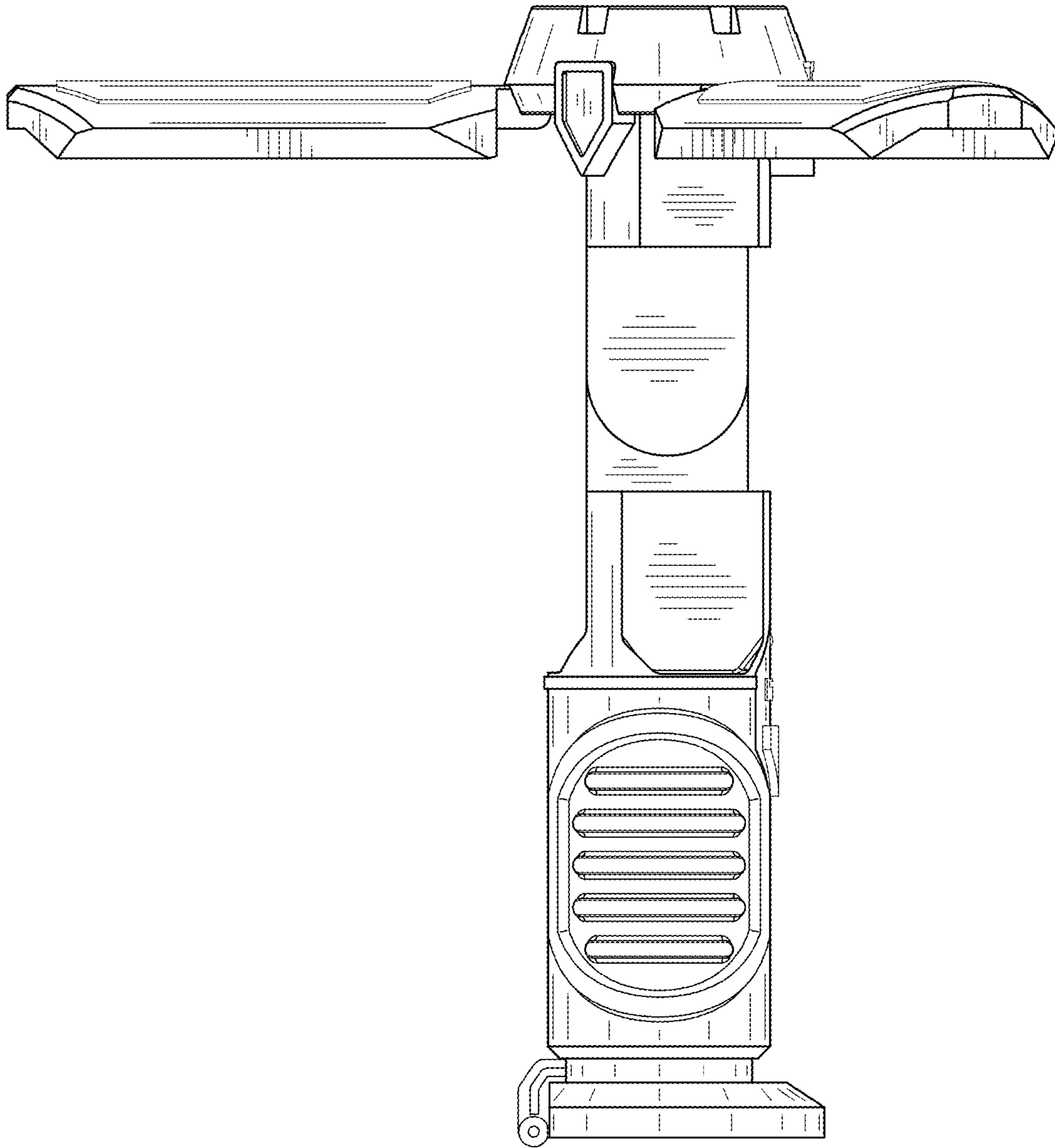


FIG. 5

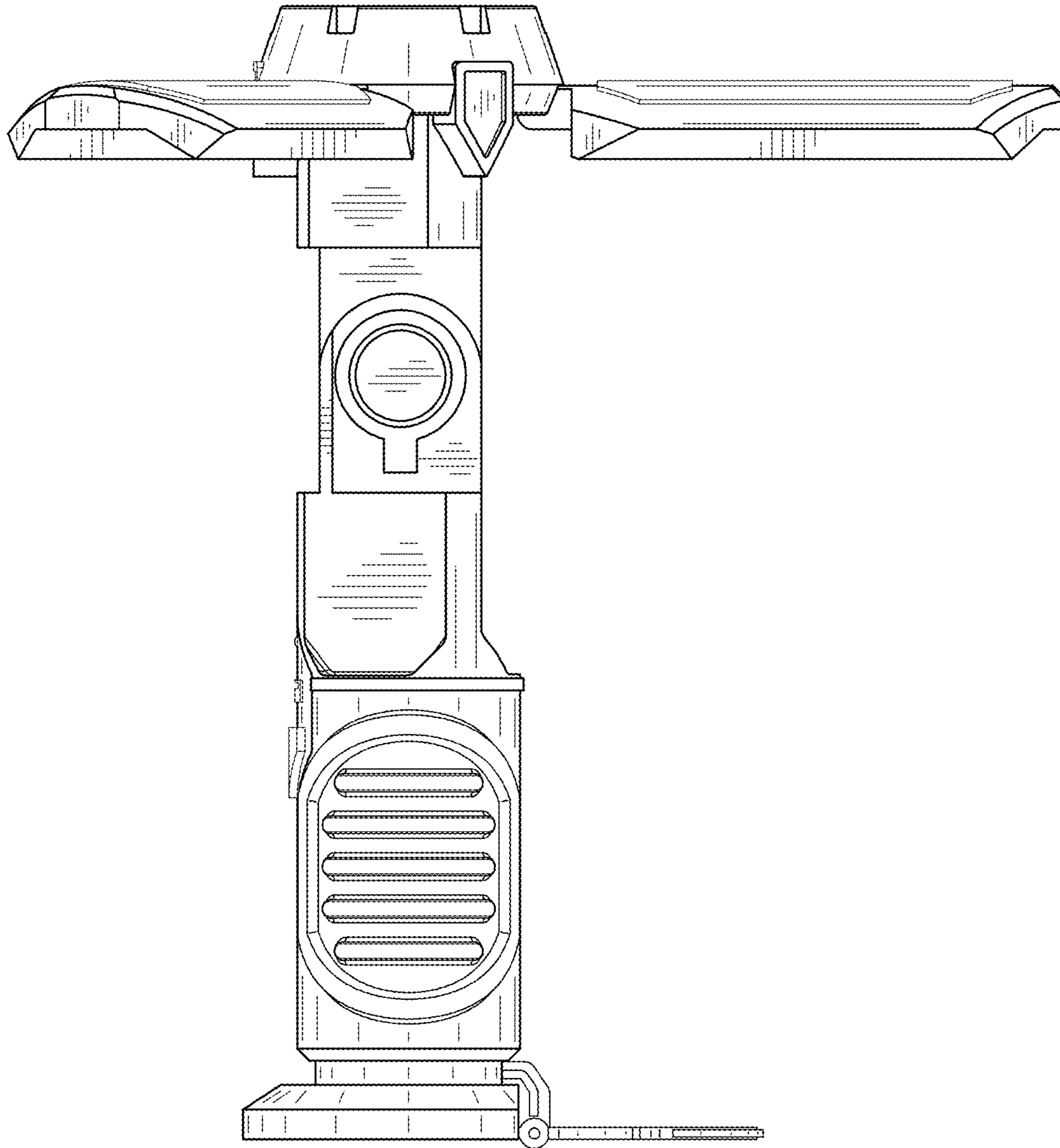


FIG. 6

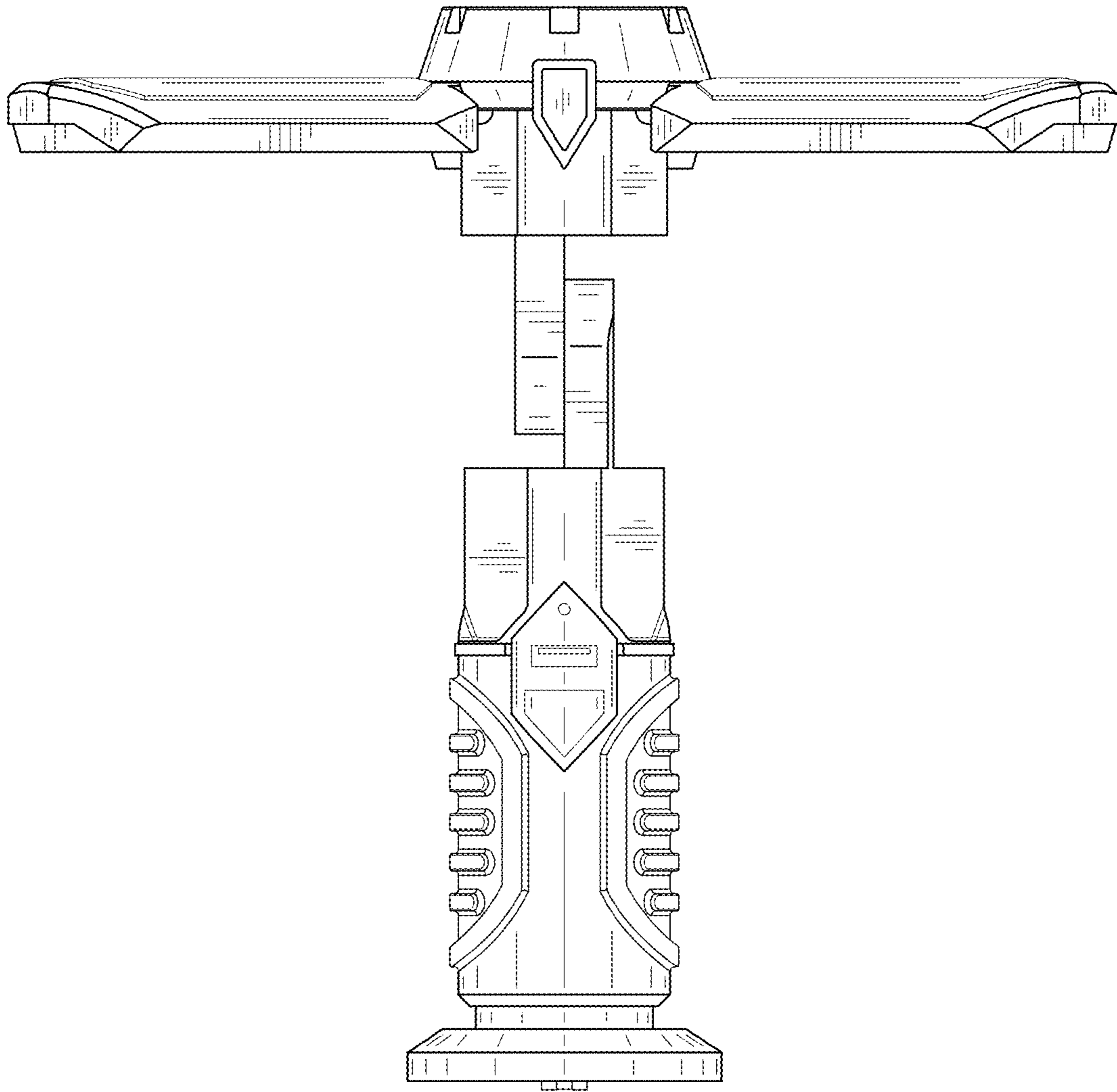


FIG. 7

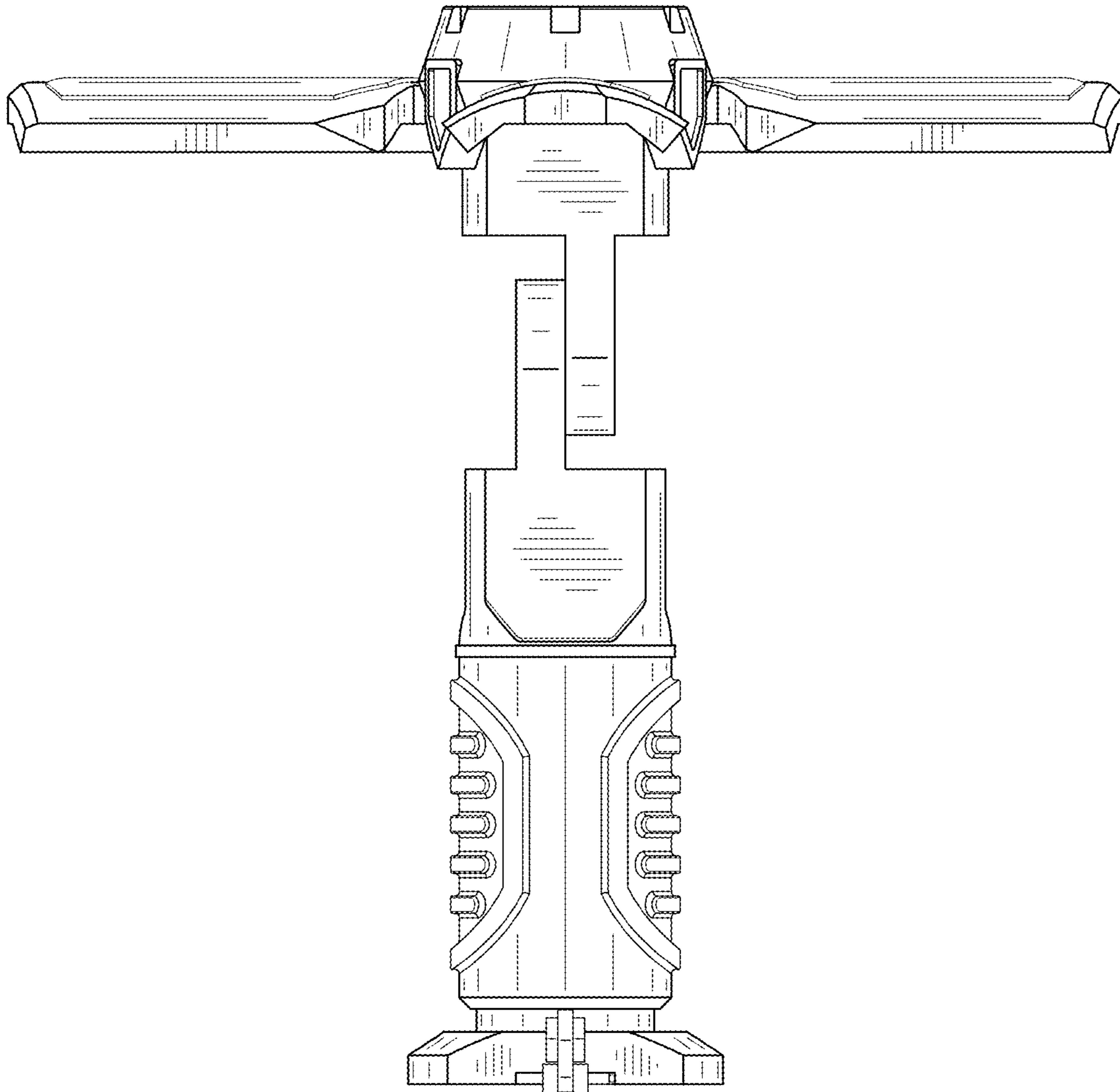


FIG. 8

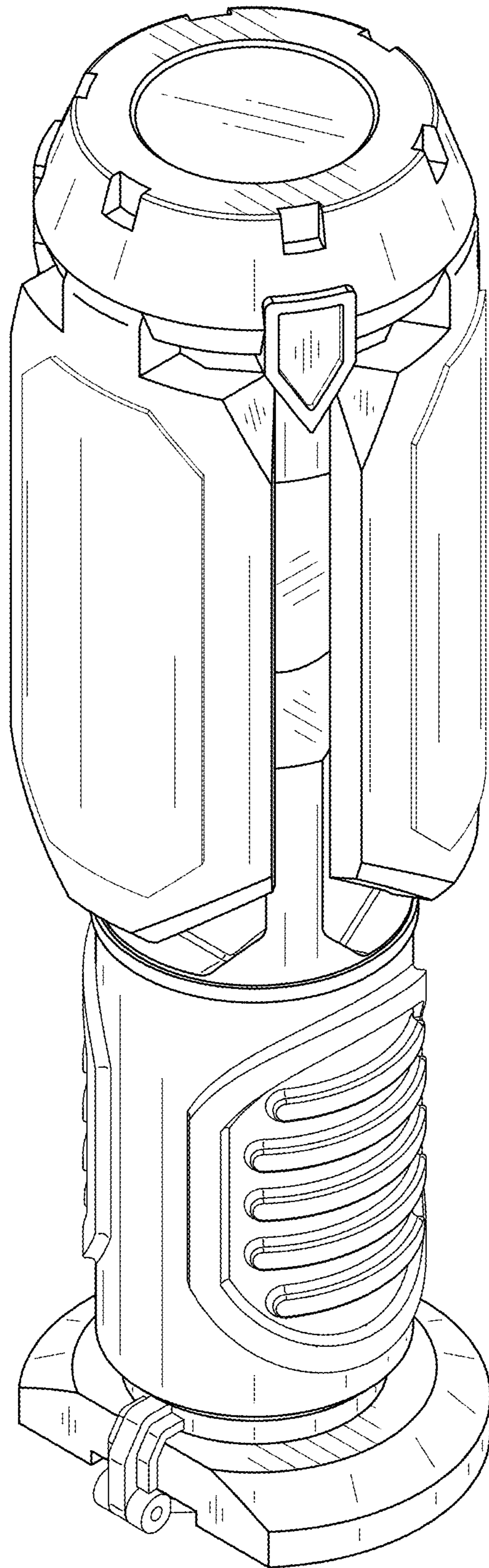


FIG. 9

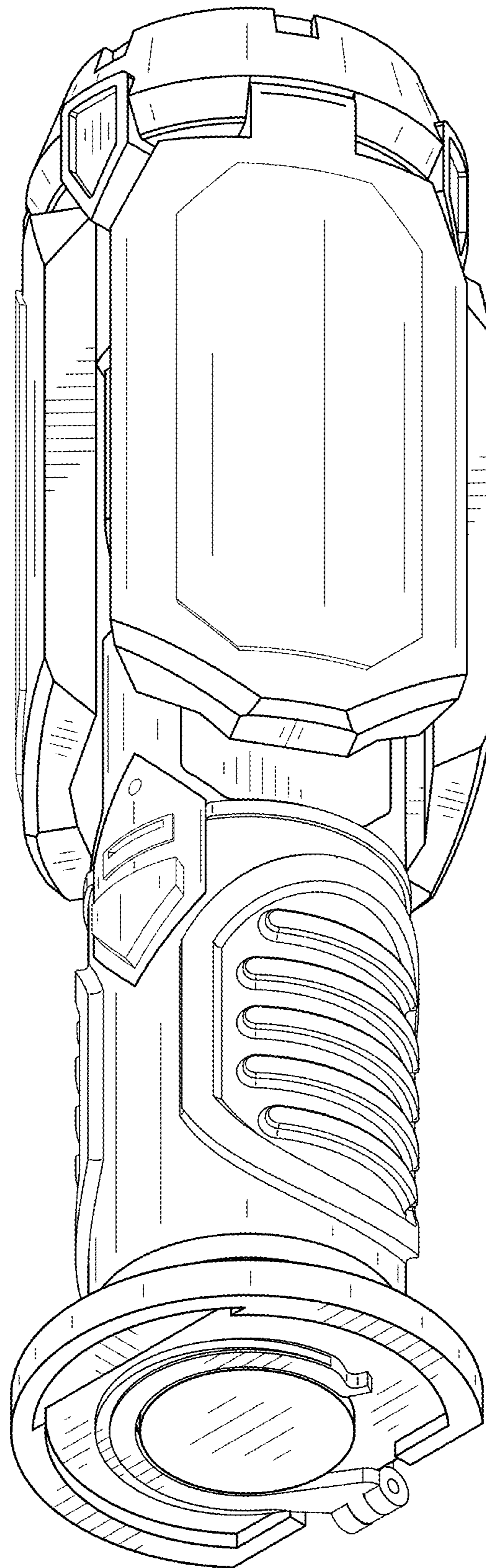


FIG. 10

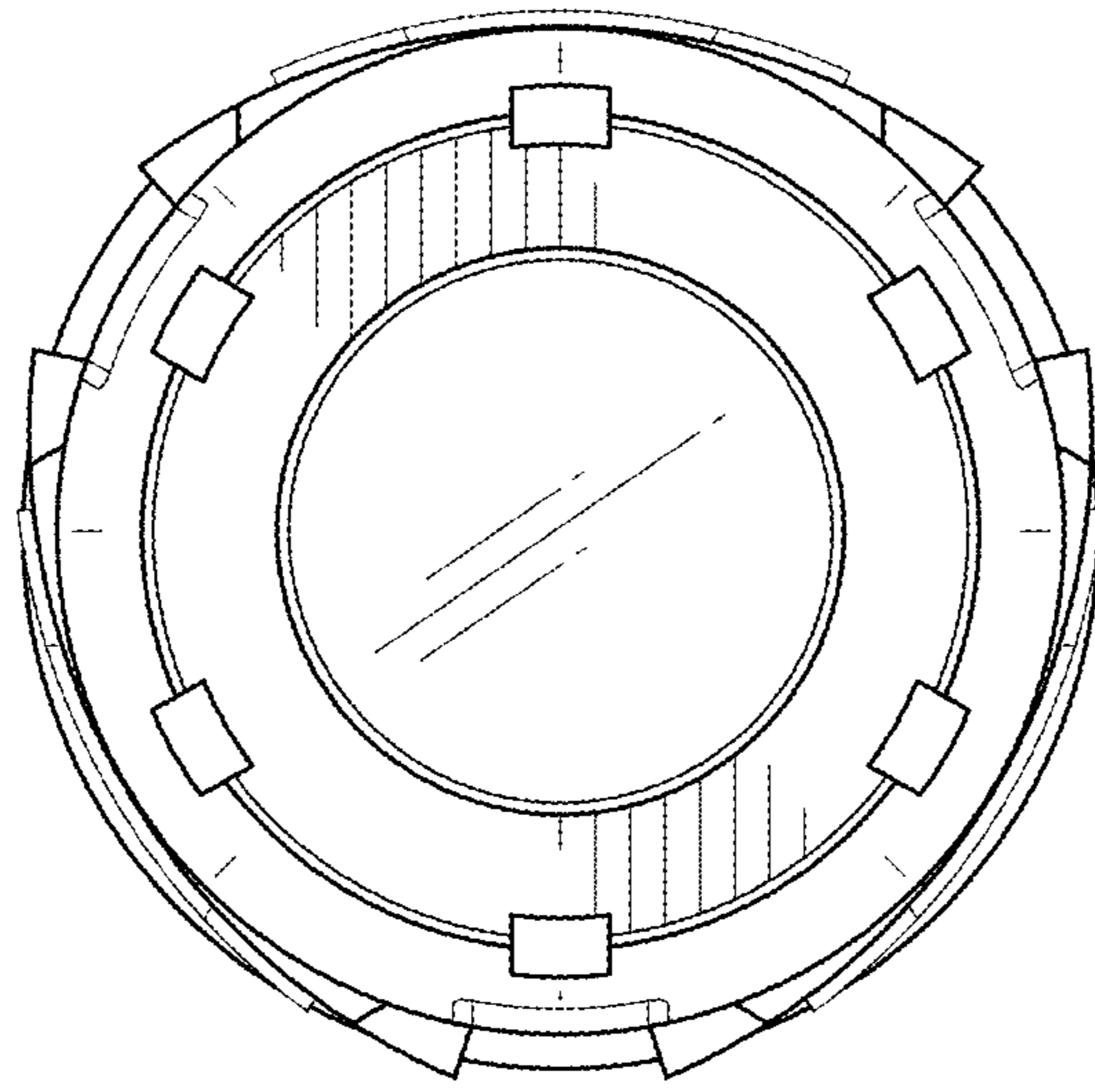


FIG. 11

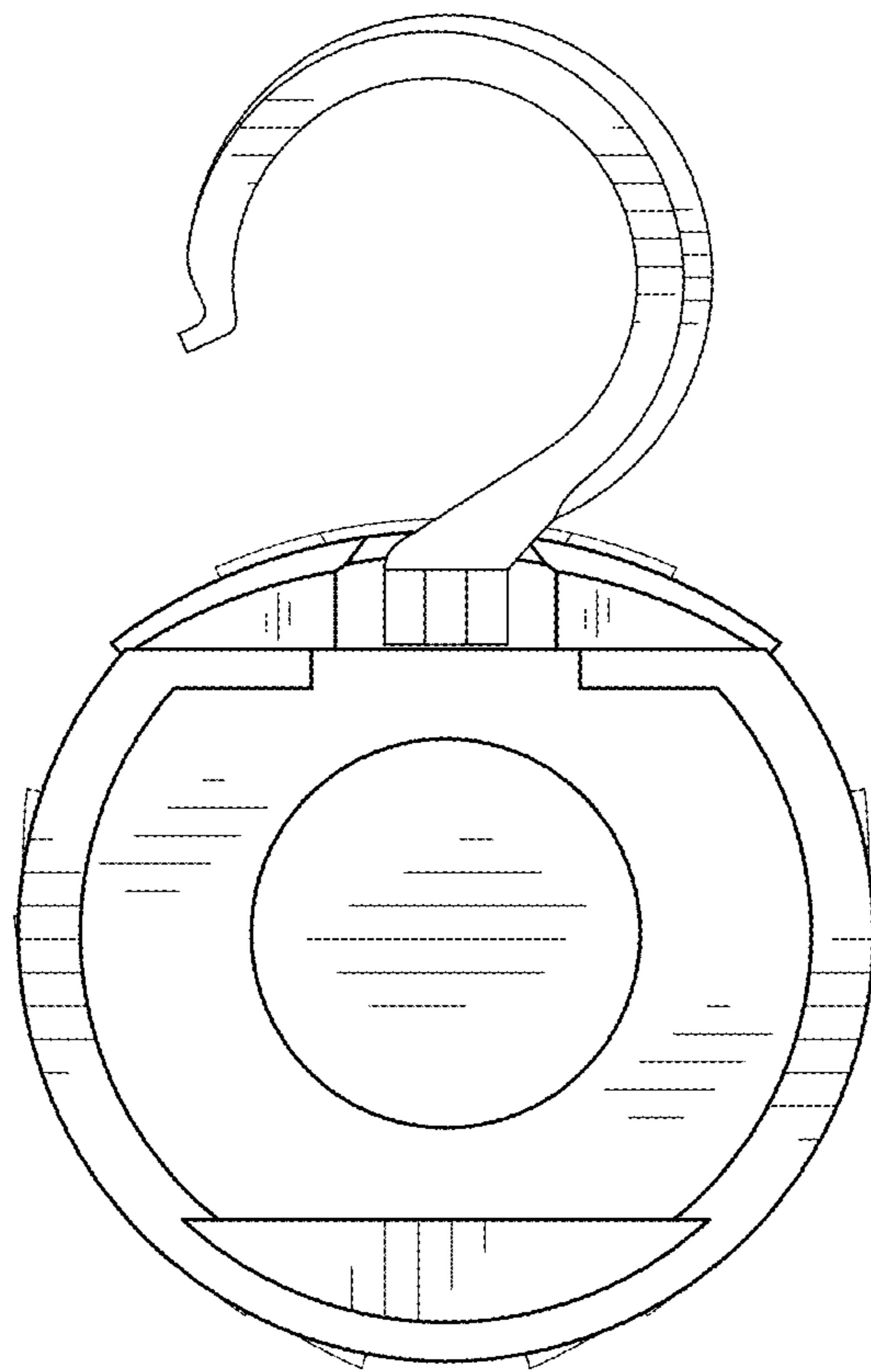


FIG. 12

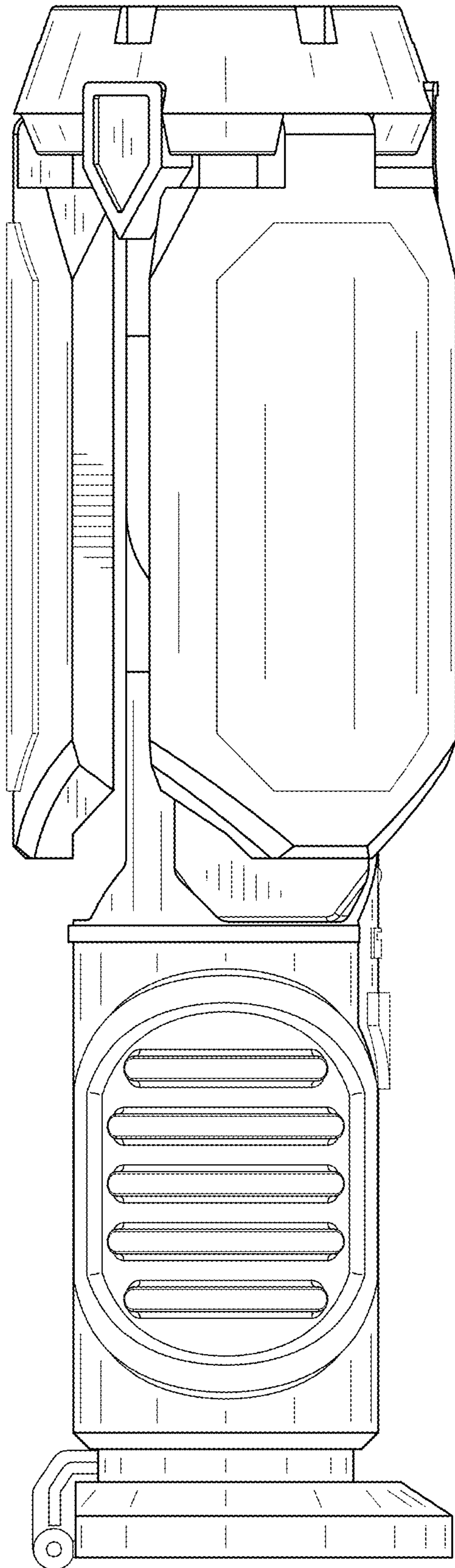


FIG. 13

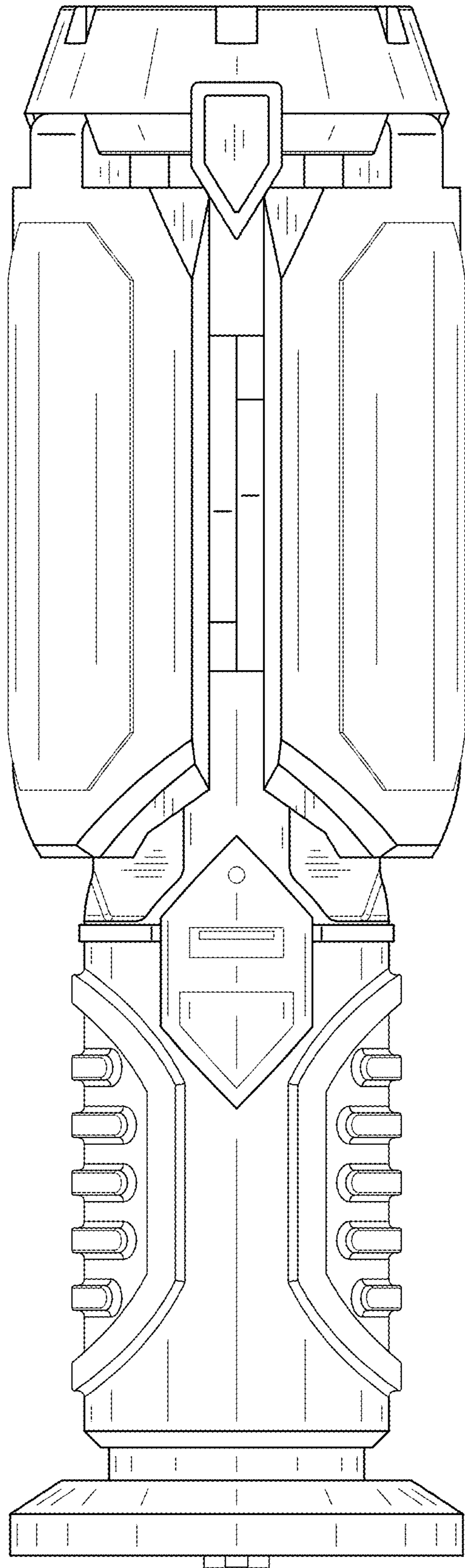


FIG. 14

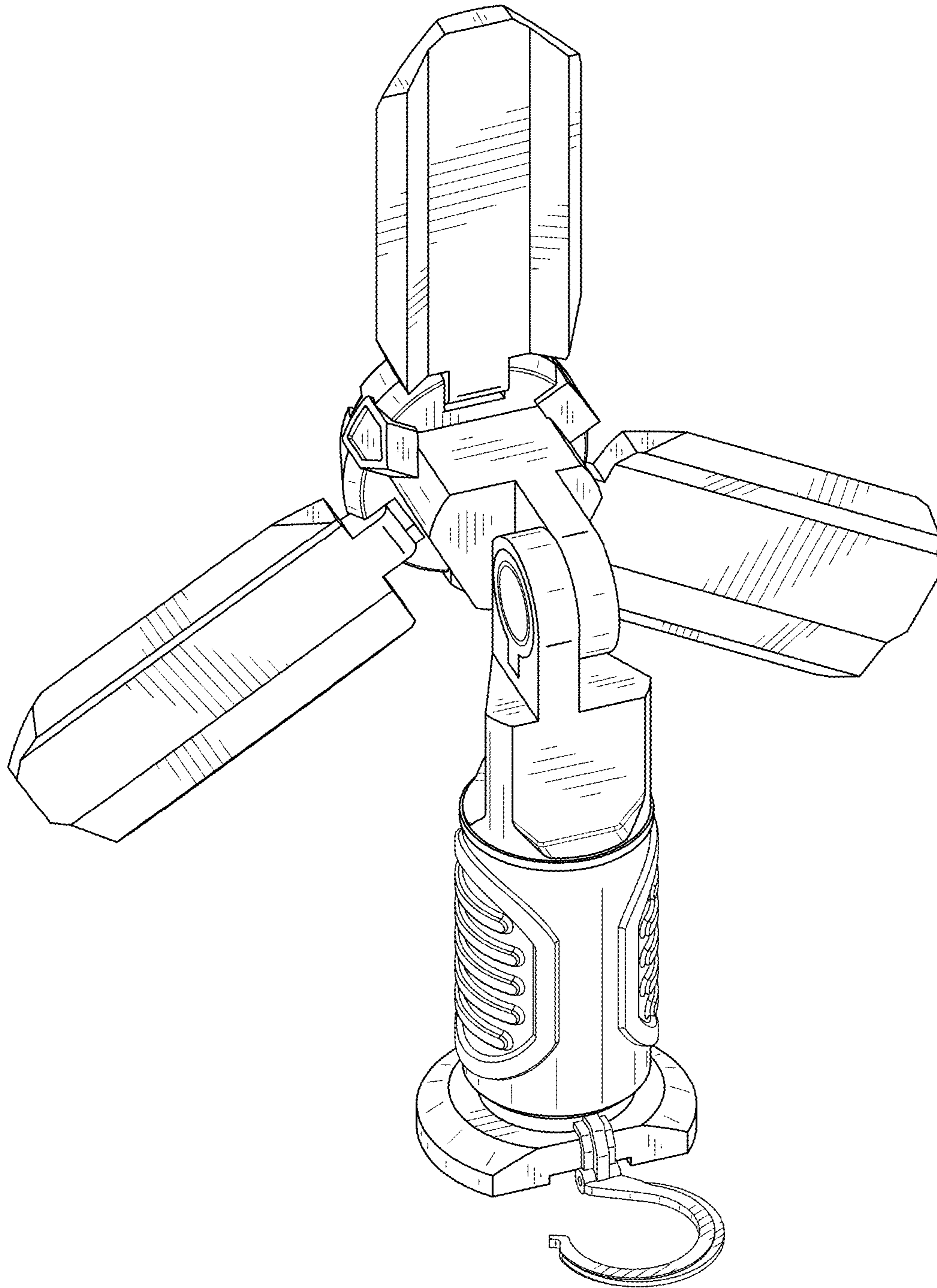


FIG. 15