



US00D768317S

(12) **United States Design Patent** (10) **Patent No.:** **US D768,317 S**  
**Deaver** (45) **Date of Patent:** **\*\* \*Oct. 4, 2016**

(54) **CANDLE WARMER**

(56) **References Cited**

(71) Applicant: **RIMPORTS (USA) LLC**, Provo, UT (US)

U.S. PATENT DOCUMENTS

(72) Inventor: **Katie Deaver**, Heber, UT (US)

D52,520 S \* 10/1918 Brown ..... D23/328  
3,327,108 A \* 6/1967 Press ..... F21L 19/00  
362/161

(73) Assignee: **Rimports (USA) LLC**, Provo, UT (US)

D516,462 S \* 3/2006 Opiniano ..... D11/143  
2011/0110092 A1 \* 5/2011 Hsiao ..... A61L 9/03  
362/253

(\*) Notice: This patent is subject to a terminal disclaimer.

2011/0269083 A1 \* 11/2011 King ..... F23D 3/16  
431/126

(\*\*) Term: **14 Years**

\* cited by examiner

(21) Appl. No.: **29/521,981**

*Primary Examiner* — T. Chase Nelson

(22) Filed: **Mar. 26, 2015**

*Assistant Examiner* — Ania Aman

(51) **LOC (10) Cl.** ..... **26-01**

(74) *Attorney, Agent, or Firm* — Kirton McConkie; Brian Tucker

(52) **U.S. Cl.**  
USPC ..... **D26/9; D26/22**

(57) **CLAIM**

The ornamental design for a candle warmer, as shown and described.

(58) **Field of Classification Search**

**DESCRIPTION**

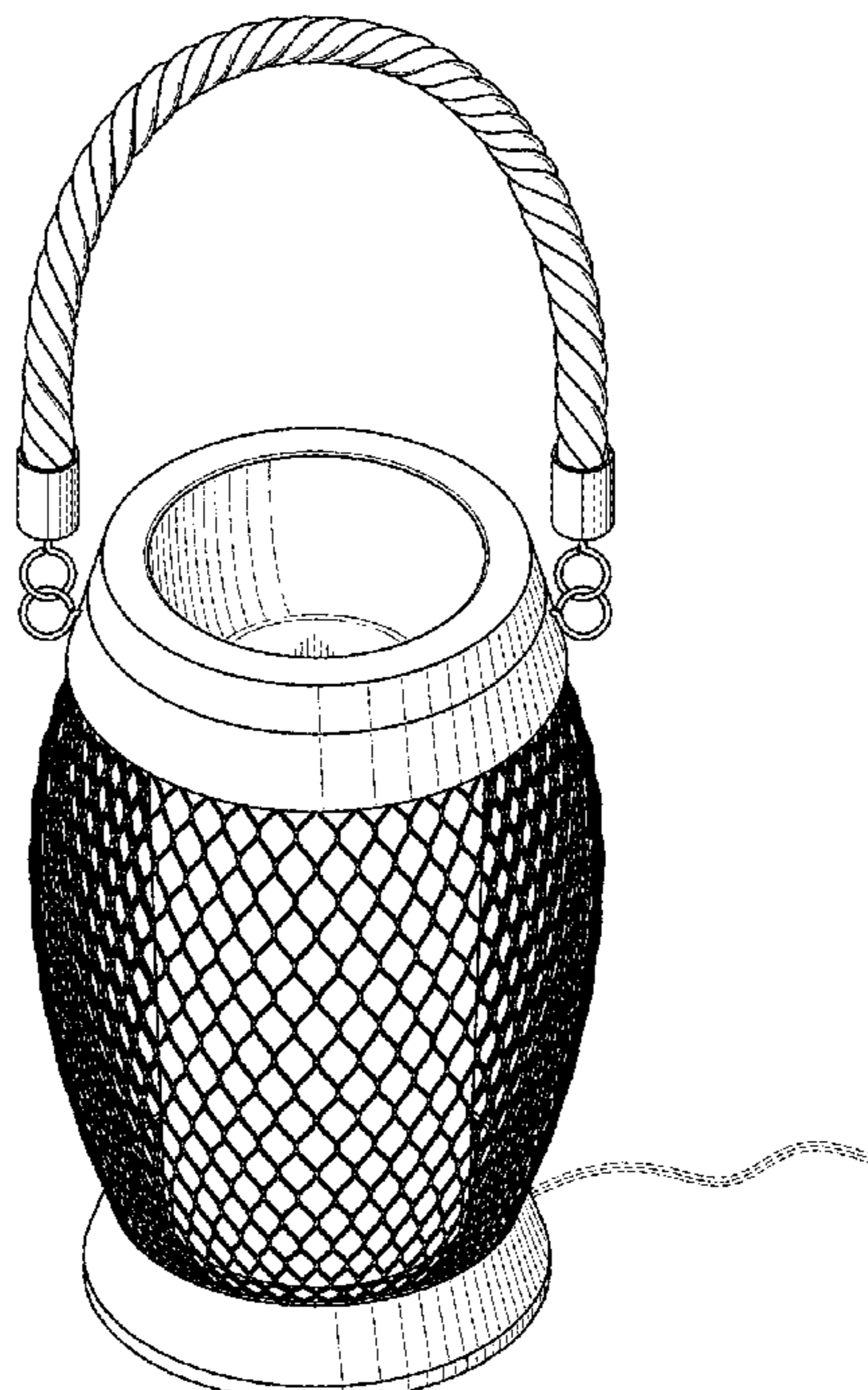
USPC ..... D26/6, 9-23, 96, 101, 102, 116, 93,  
D26/104, 106, 112, 142, 87, 92, 40, 85, 118,  
D26/128, 67-71; D23/366-369, 328;  
219/445.1; 222/146.5; 220/507;  
434/365; 512/4; 392/393, 386, 390,  
392/391, 395; D6/403-405, 556-558;  
D8/1; D11/143-156, 164; D7/300,  
D7/321, 396.2; D9/521, 526, 530, 542,  
D9/544, 546, 558, 568  
CPC ..... F23D 3/16; F21V 35/00; F21V 35/003;  
F21V 35/006; F21V 33/004; A61L 9/02;  
A61L 2209/12; A61L 9/03; A61L 9/035;  
A61L 9/00; A61L 9/012; A61L 9/12; H05B  
3/68

FIG. 1 is a front perspective view thereof;  
FIG. 2 is a front elevation view thereof;  
FIG. 3 is a rear elevation view thereof;  
FIG. 4 is a right elevation view thereof;  
FIG. 5 is a left elevation view thereof;  
FIG. 6 is a top plan thereof; and,  
FIG. 7 is a bottom plan thereof.

The electric cord and cord openings on the bottom of the candle warmer are shown in broken lines and form no part of the claimed design.

See application file for complete search history.

**1 Claim, 4 Drawing Sheets**



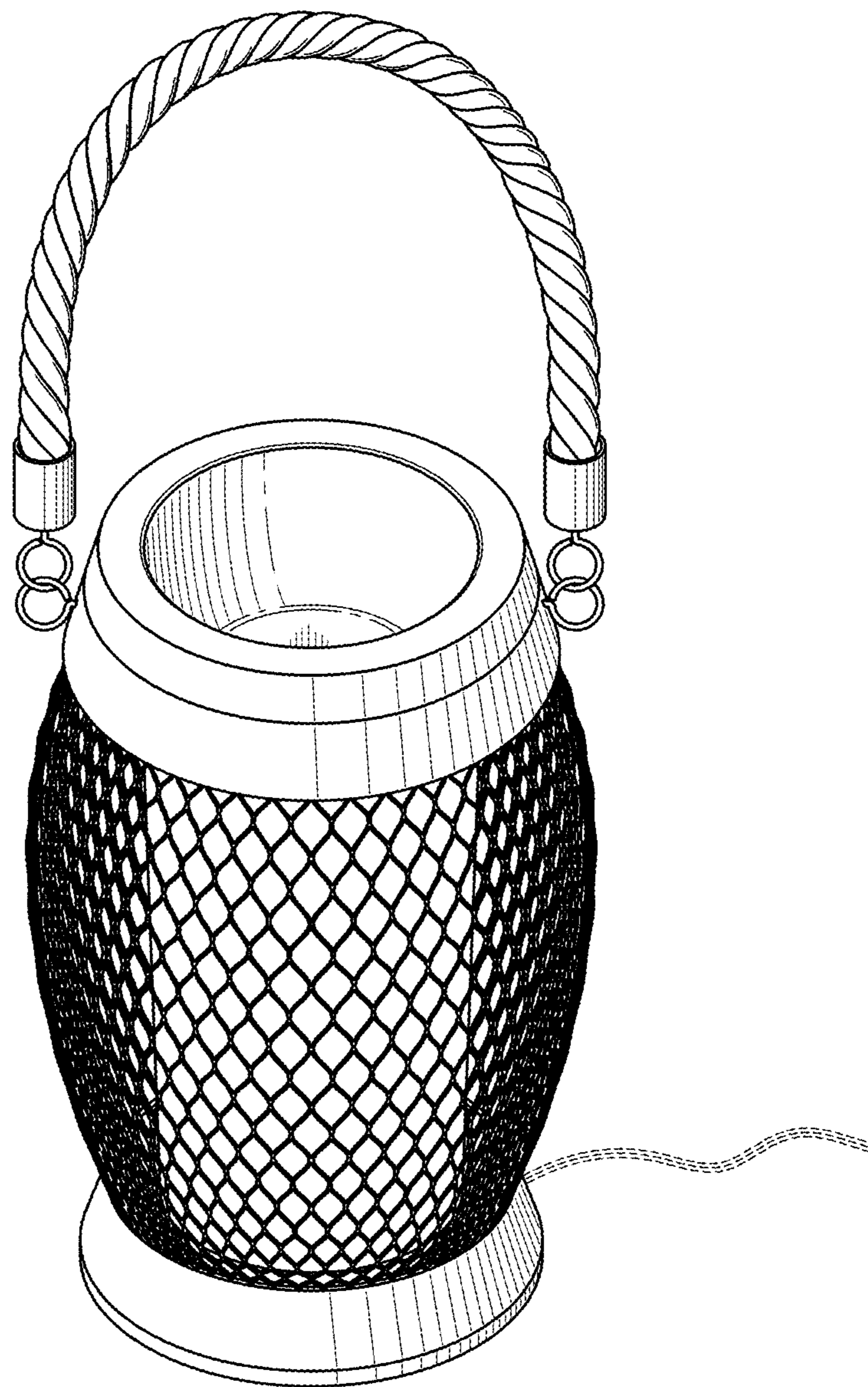


FIG. 1

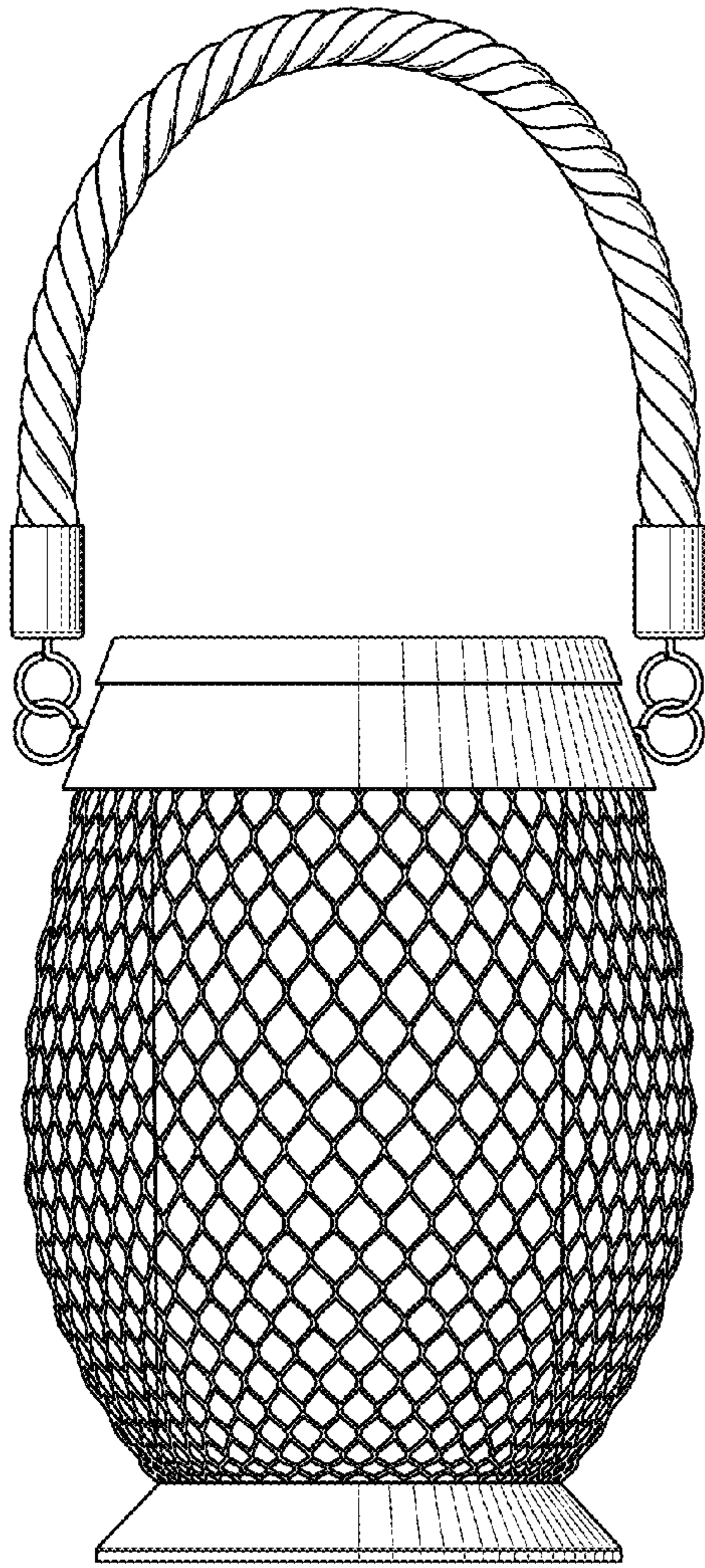


FIG. 2

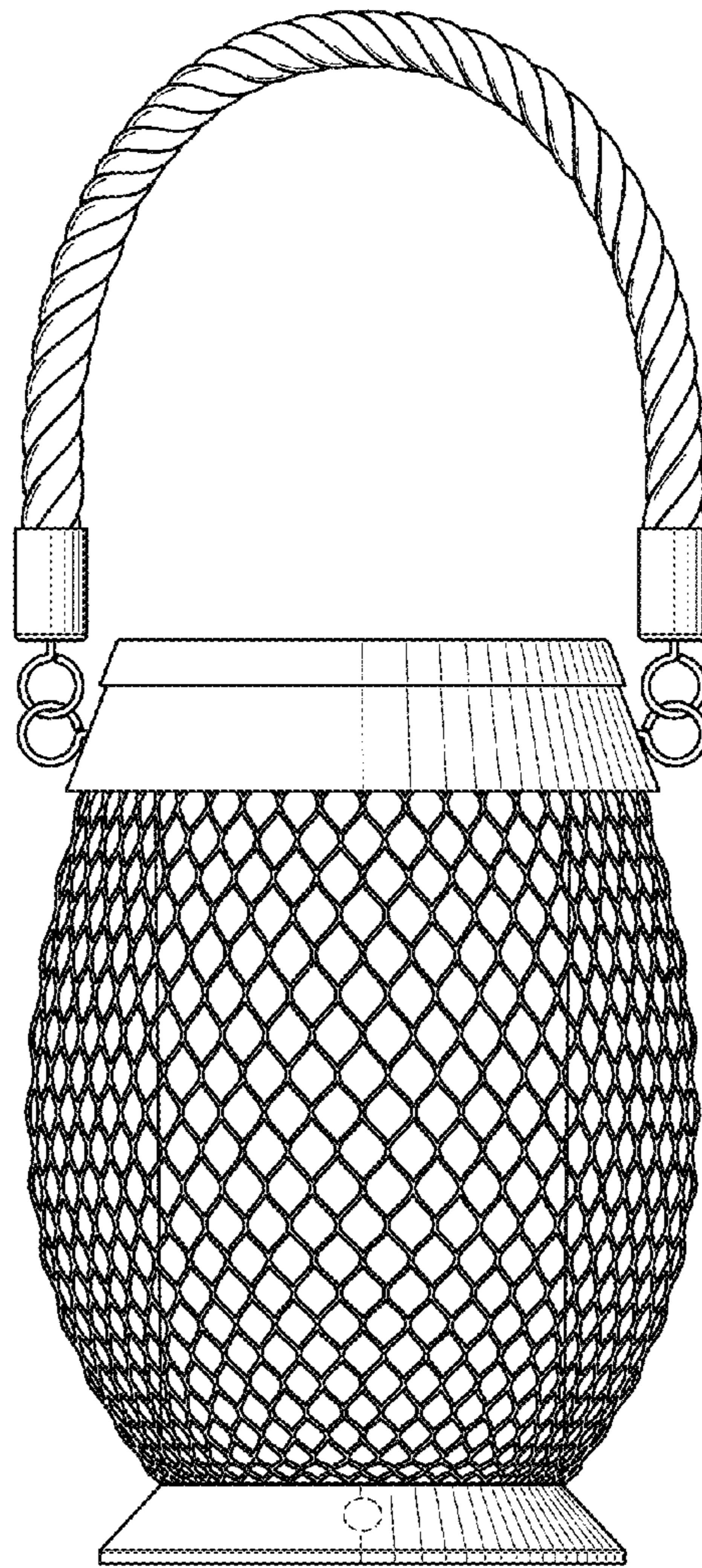


FIG. 3

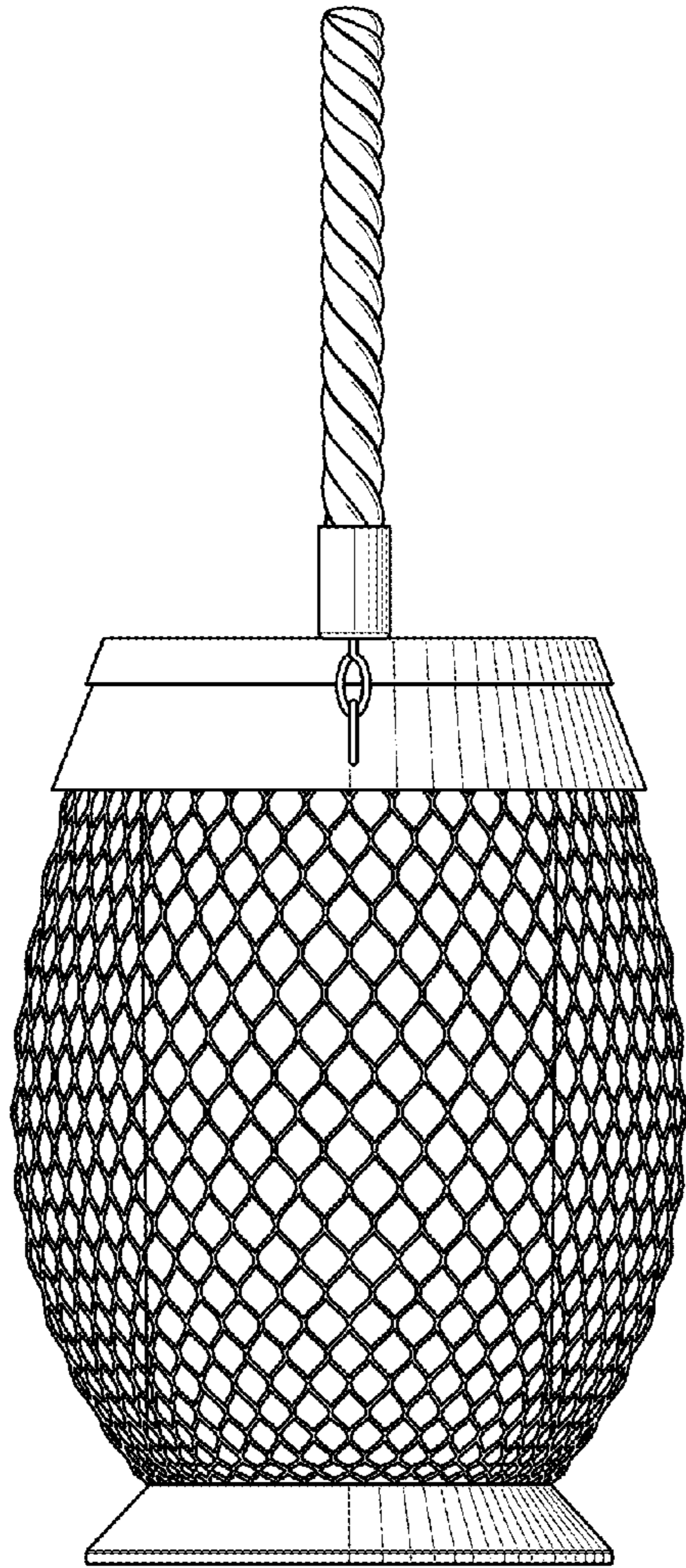


FIG. 4

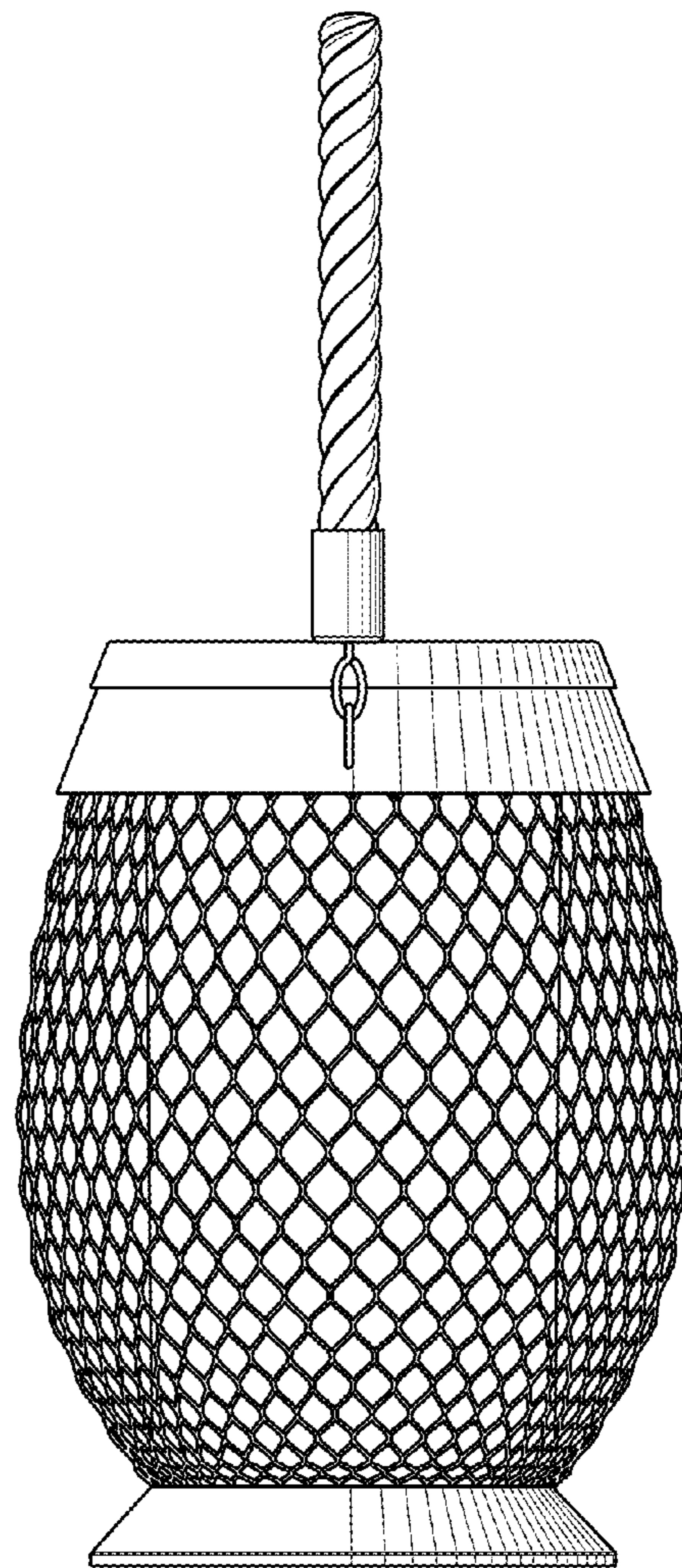


FIG. 5

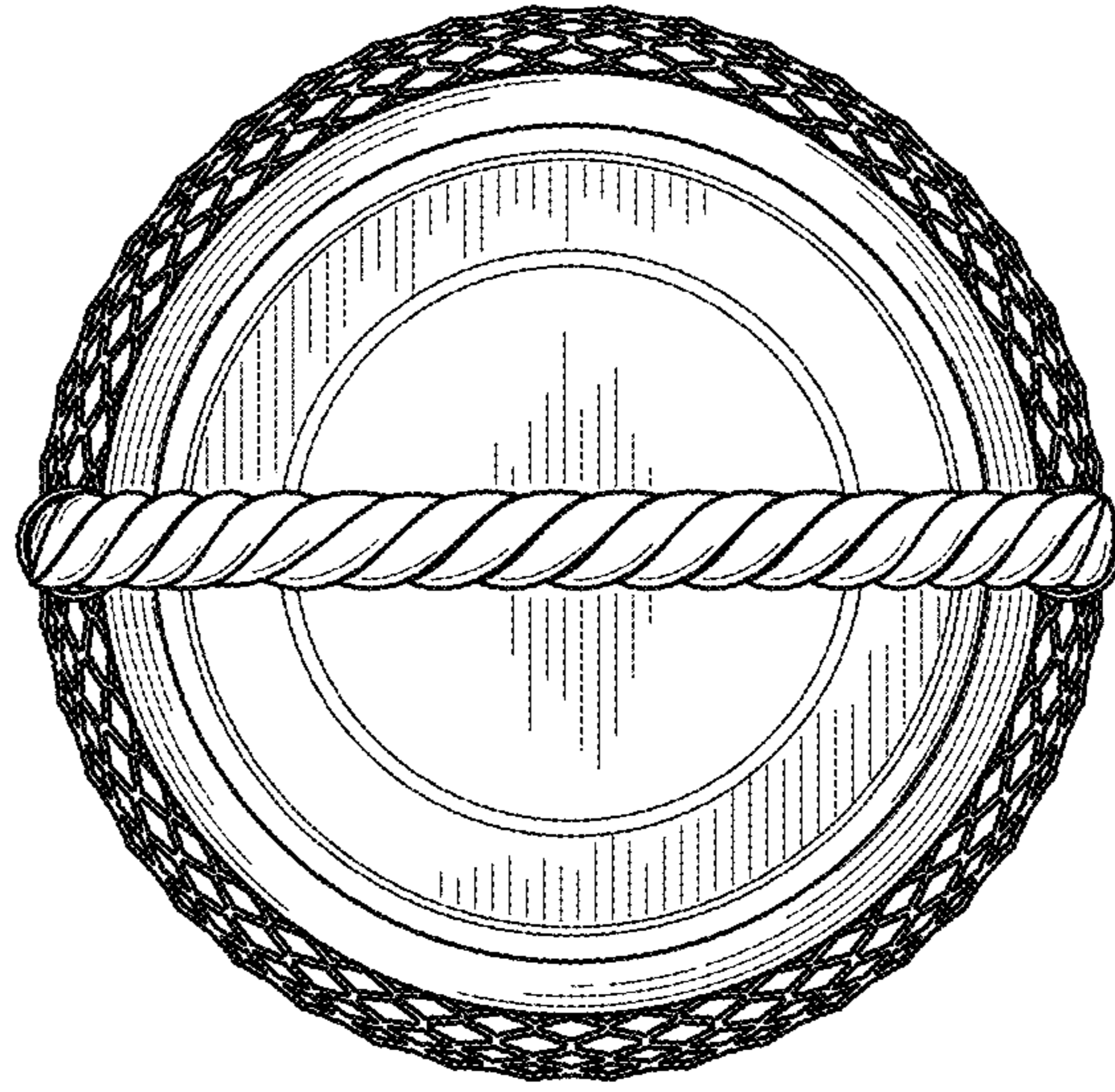


FIG. 6

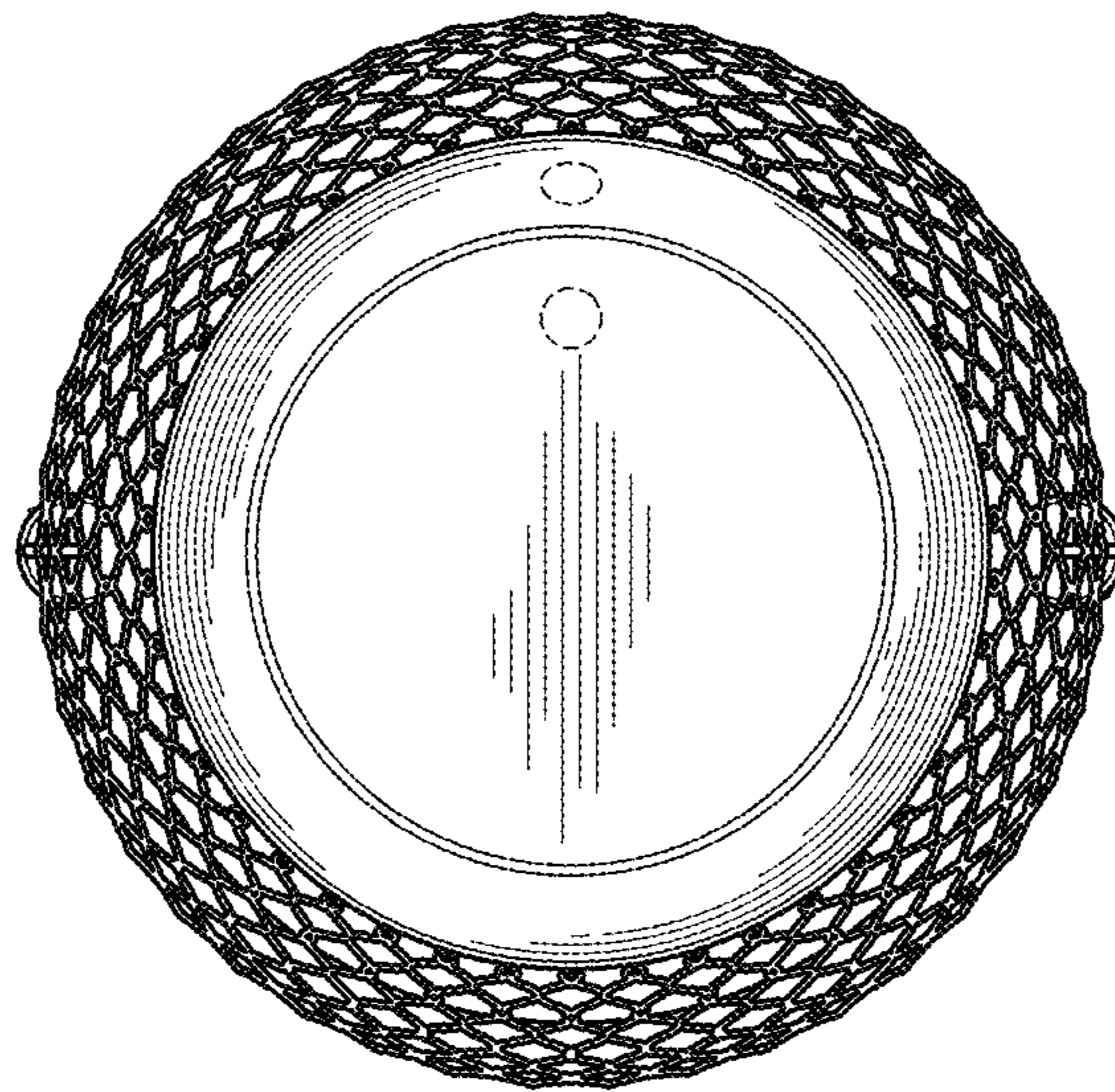


FIG. 7