



US00D768316S

(12) **United States Design Patent** (10) **Patent No.:** **US D768,316 S**
Fleming et al. (45) **Date of Patent:** **** Oct. 4, 2016**

(54) **SOLID STATE LUMINAIRE WITH DOME REFLECTOR**

8,487,518 B2 7/2013 Johnston
D687,978 S 8/2013 Jeon
D688,392 S * 8/2013 Tsai D26/2
D693,045 S 11/2013 Kirschhoffer
2008/0253125 A1 10/2008 Kang
2011/0032708 A1 2/2011 Johnston
2011/0101861 A1 5/2011 Yoo

(71) Applicant: **3M INNOVATIVE PROPERTIES COMPANY**, St. Paul, MN (US)

(72) Inventors: **Patrick R. Fleming**, Lake Elmo, MN (US); **Kayla A. McGrath**, Cottage Grove, MN (US)

(Continued)

(73) Assignee: **3M INNOVATIVE PROPERTIES COMPANY**, Saint Paul, MN (US)

DE 20-2007-009272 U1 12/2007
EP 2025992 2/2009

FOREIGN PATENT DOCUMENTS

(Continued)

(**) Term: **14 Years**

(21) Appl. No.: **29/522,881**

OTHER PUBLICATIONS

(22) Filed: **Apr. 3, 2015**

ITRI Today, "A Game Changing Techology: ITRI's Wide Angle LED Bulb," The Industrial Technology Research Institute, No. 68, Spring Quarter, 2012, pp. 6-7.

(51) **LOC (10) Cl.** **26-04**

(52) **U.S. Cl.**
USPC **D26/2**

(58) **Field of Classification Search**
USPC D26/1-4; 313/313, 315, 316, 317, 318, 313/493; 315/52, 53, 56, 57, 58
CPC H01J 5/48; H01J 5/50; H01J 19/54; F21V 5/00; F21K 9/00; F21K 9/13; F21K 9/135; F21K 9/1375

Primary Examiner — Marcus Jackson

See application file for complete search history.

(57) **CLAIM**
The ornamental design for a solid state luminaire with dome reflector, as shown and described.

(56) **References Cited**

DESCRIPTION

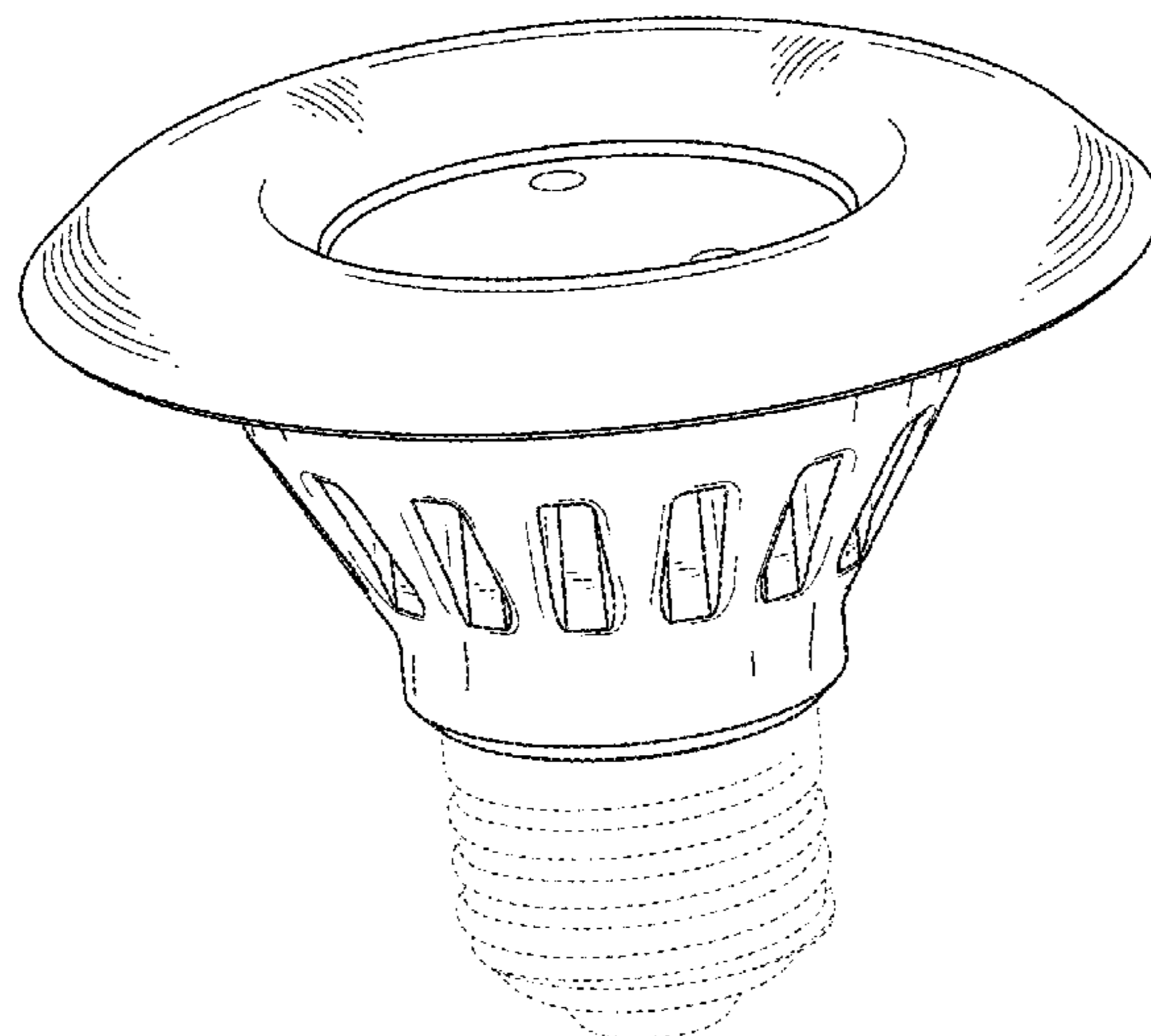
U.S. PATENT DOCUMENTS

7,581,856 B2 9/2009 Kang
7,607,802 B2 10/2009 Kang
7,708,452 B2 5/2010 Maxik
D627,085 S 11/2010 Duan
D629,929 S 12/2010 Chen
D633,226 S 2/2011 Katsaros
D634,451 S 3/2011 de Visser
D642,704 S 8/2011 Hagens
D644,760 S * 9/2011 Murakami D26/2
D645,993 S 9/2011 Wang
D668,364 S * 10/2012 Yamamotoi D26/2
D683,866 S * 6/2013 Zeng D26/2

FIG. 1 is a perspective view of the new design for a solid state luminaire with dome reflector for distributing light from solid state light sources such as light emitting diodes; FIG. 2 is a front view thereof; FIG. 3 is a right side view thereof; FIG. 4 is a left side view thereof; FIG. 5 is a rear view thereof; FIG. 6 is a top view thereof; and, FIG. 7 is a bottom view thereof.

The claim is directed to the collective appearance of the components of the solid state luminaire shown. Broken lines are used to show a base that forms no part of the claimed design.

1 Claim, 4 Drawing Sheets



(56)

References Cited

FOREIGN PATENT DOCUMENTS

U.S. PATENT DOCUMENTS

2011/0298371 A1 12/2011 Brandes
2012/0106153 A1 5/2012 Huang
2012/0194054 A1 8/2012 Johnston
2013/0107496 A1 5/2013 Bisberg
2013/0113358 A1 5/2013 Progl
2013/0155719 A1 6/2013 Brott

JP D1424798 10/2011
TW D154107 6/2013
TW D161543 7/2014
WO WO 2010-058325 5/2010
WO WO 2012-139358 10/2012

* cited by examiner

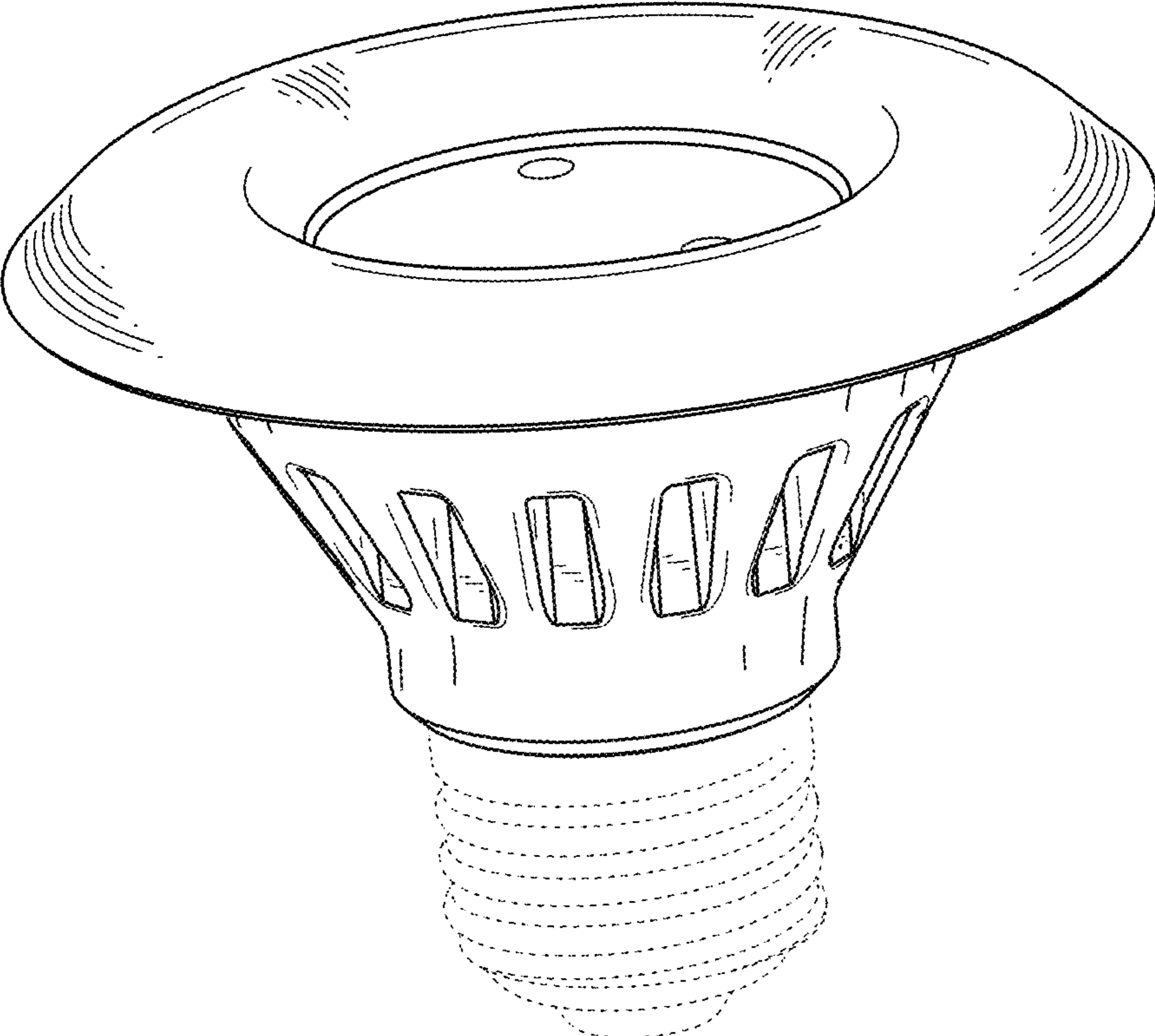


FIG. 1

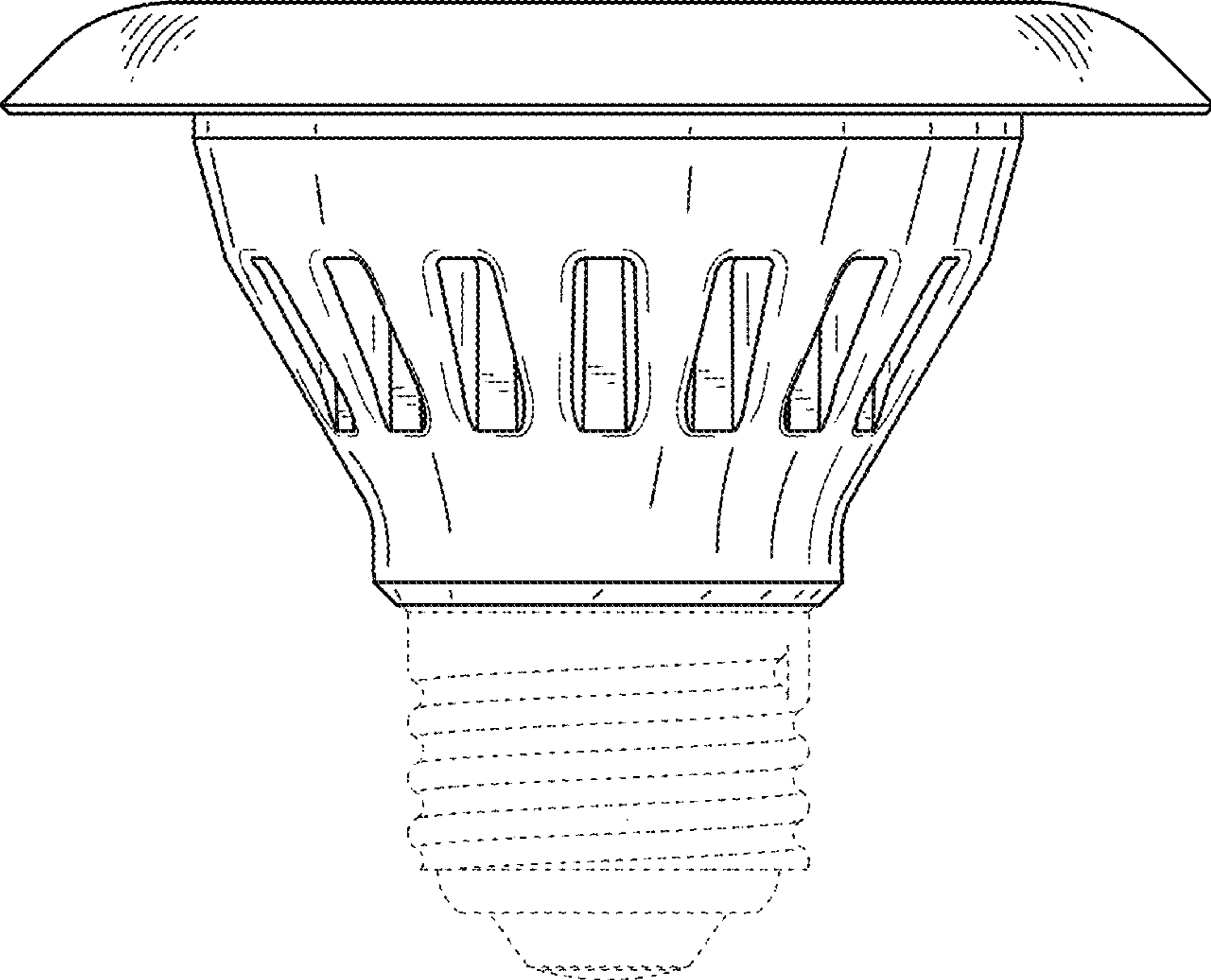


FIG. 2

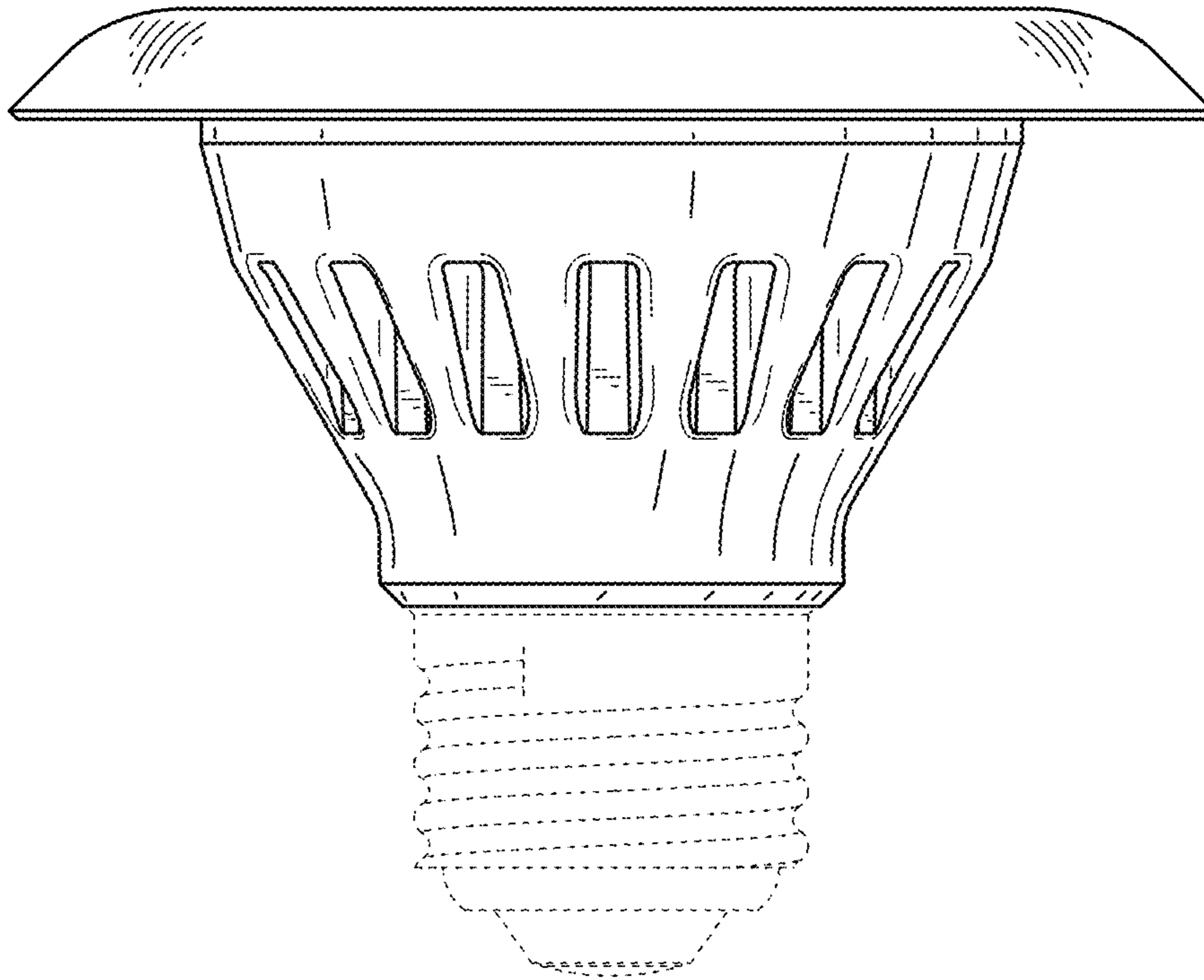


FIG. 3

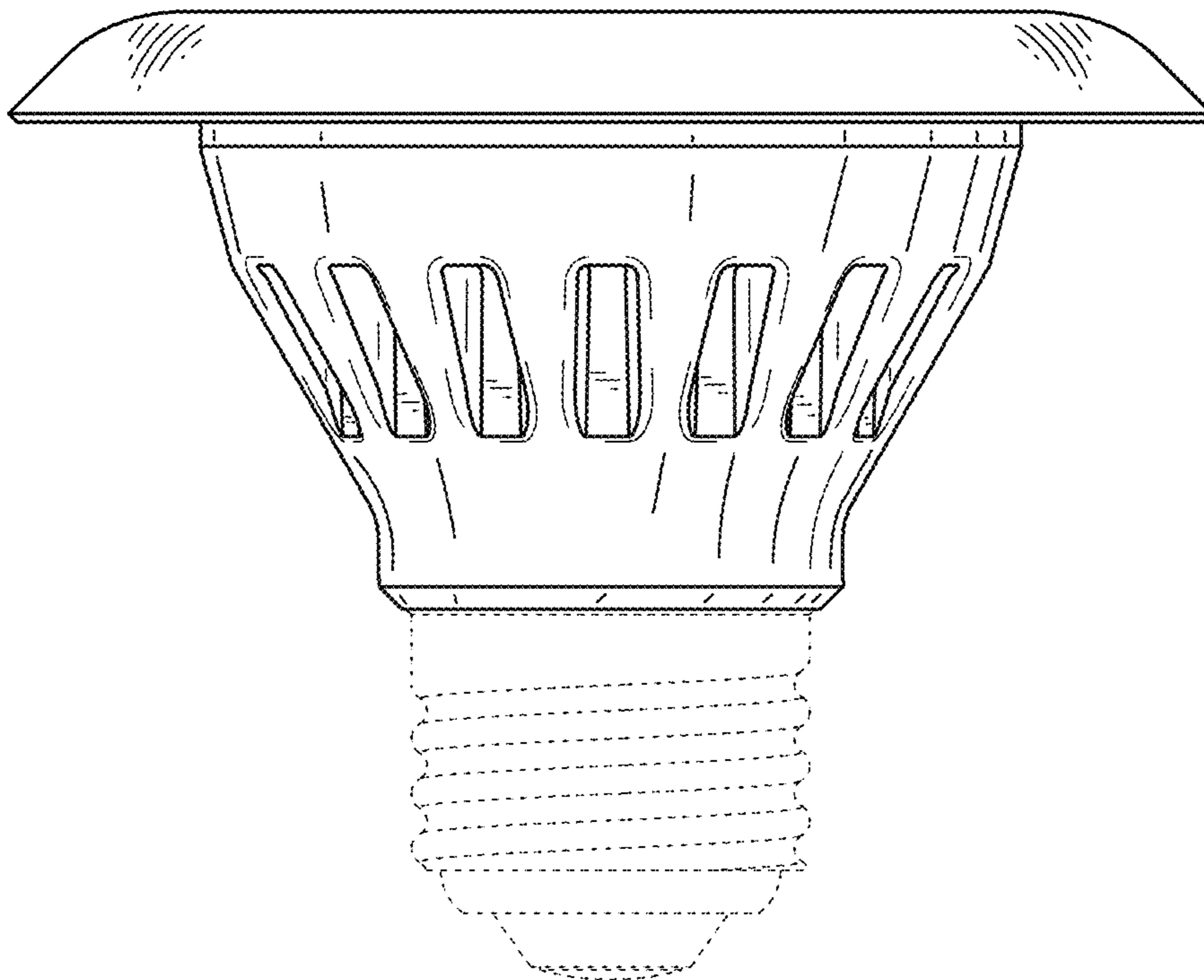


FIG. 4

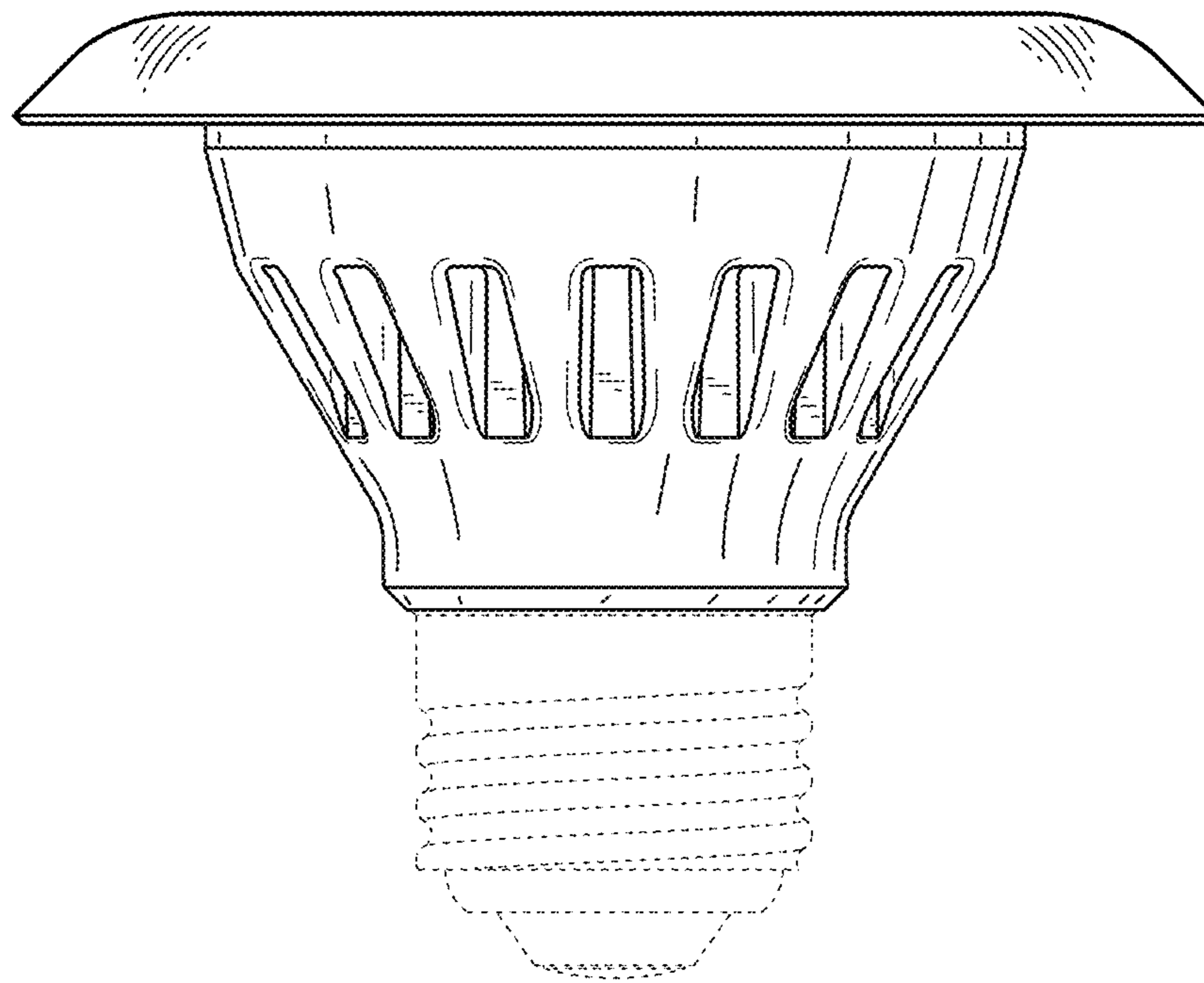


FIG. 5

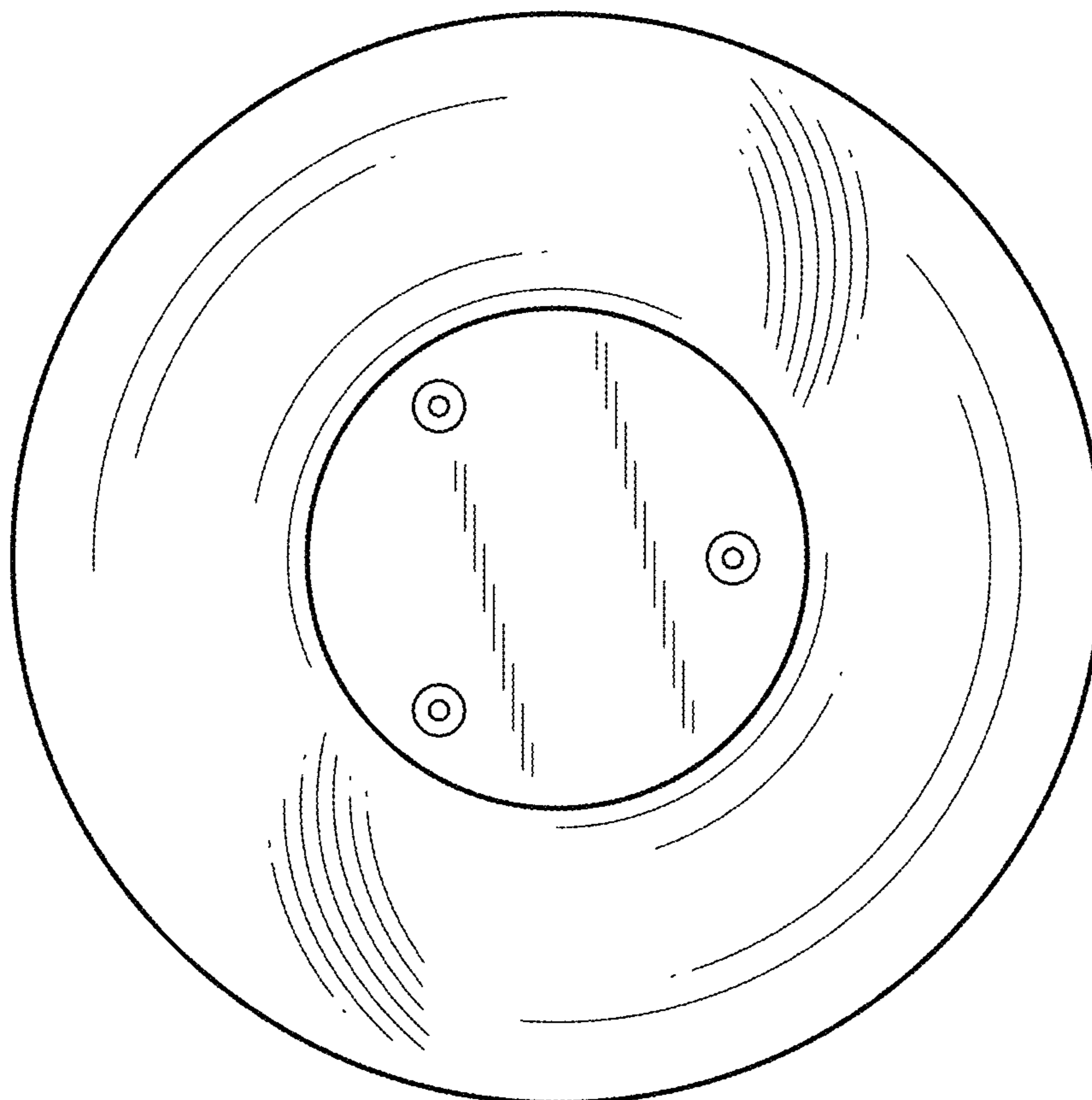


FIG. 6

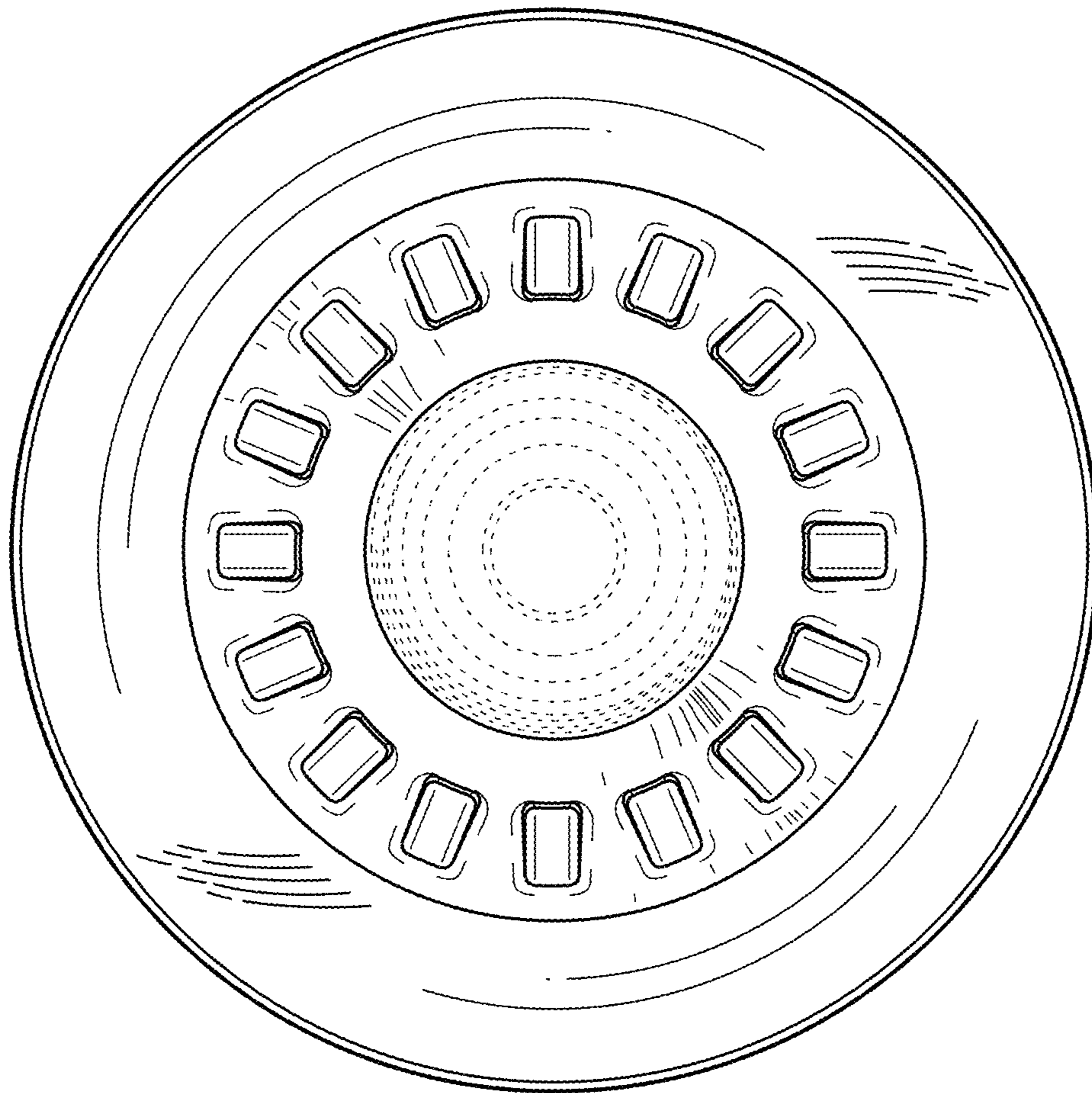


FIG. 7