

US00D768315S

(12) **United States Design Patent**
Repetto

(10) **Patent No.:** **US D768,315 S**
(45) **Date of Patent:** **** Oct. 4, 2016**

(54) **FLOOR PANEL**

(71) Applicant: **Gian Paolo Repetto**, Villalvernia (IT)

(72) Inventor: **Gian Paolo Repetto**, Villalvernia (IT)

(73) Assignee: **MPI S.R.L.**, Villalvernia (AL) (IT)

(**) Term: **15 Years**

(21) Appl. No.: **29/531,753**

(22) Filed: **Jun. 29, 2015**

(30) **Foreign Application Priority Data**

Jun. 25, 2015 (EM) 002726414

(51) **LOC (10) Cl.** **25-01**

(52) **U.S. Cl.**
USPC **D25/156**

(58) **Field of Classification Search**

USPC D25/42, 138, 139, 140, 141, 143, 144,
D25/145, 146, 147, 148, 149, 151, 152, 153,
D25/154, 155, 156, 157, 158, 159, 160, 161,
D25/162, 163, 142; D5/1, 11, 12, 15, 29,
D5/47, 54, 58, 99

CPC .. E04B 5/00; E04B 2001/1984; E04F 15/02;
E04F 15/10; E04F 15/22; B32B 3/06; E01C
5/20

See application file for complete search history.

(56) **References Cited**

U.S. PATENT DOCUMENTS

5,791,114 A * 8/1998 Mandel E01C 5/20
52/591.3
6,526,705 B1 * 3/2003 MacDonald E04F 15/02
428/157
6,820,386 B2 * 11/2004 Kappeli B29C 45/14811
52/591.4
7,434,659 B2 * 10/2008 Ayle F02C 7/045
181/284
7,571,572 B2 * 8/2009 Moller, Jr. E01C 5/20
404/41
D603,640 S * 11/2009 Thrush D6/582
D604,083 S * 11/2009 Thrush D6/582

7,793,471 B2 * 9/2010 Hill B32B 3/10
428/33
7,797,890 B2 * 9/2010 Thrush E04F 15/10
446/116
7,849,642 B2 * 12/2010 Forster E01C 5/20
52/177
D634,029 S * 3/2011 Jianzhong D25/138
8,006,443 B2 * 8/2011 Fuccella E04F 15/10
52/177
D653,893 S * 2/2012 Huss D6/582
D654,748 S * 2/2012 Lu D6/582
8,266,857 B2 * 9/2012 David B44C 1/28
428/192
8,397,466 B2 * 3/2013 Jenkins E01C 13/045
52/177
8,596,023 B2 * 12/2013 Jenkins E01C 5/20
15/215
D703,975 S * 5/2014 Huss D6/582
D707,372 S * 6/2014 Prins D25/163
8,833,007 B2 * 9/2014 Tillery E04F 15/02
52/177
8,919,054 B2 * 12/2014 Tillery E04F 15/22
52/177
8,925,264 B2 * 1/2015 Thrush E04F 15/02016
52/177
9,289,085 B2 * 3/2016 Thrush B32B 3/02
2003/0093964 A1 * 5/2003 Bushey E04F 15/02
52/592.1
2004/0255540 A1 * 12/2004 Wang E04F 15/10
52/578

* cited by examiner

FOREIGN PATENT DOCUMENTS

EM 000050638-0001 * 10/2003

Primary Examiner — Vy Koenig

Assistant Examiner — Kimberly Barnes

(74) *Attorney, Agent, or Firm* — Themis Law

(57) **CLAIM**

The ornamental design for a floor panel, as shown and described.

DESCRIPTION

FIG. 1 is a top perspective view of a floor panel showing my new design;

FIG. 2 is a top plan view thereof;

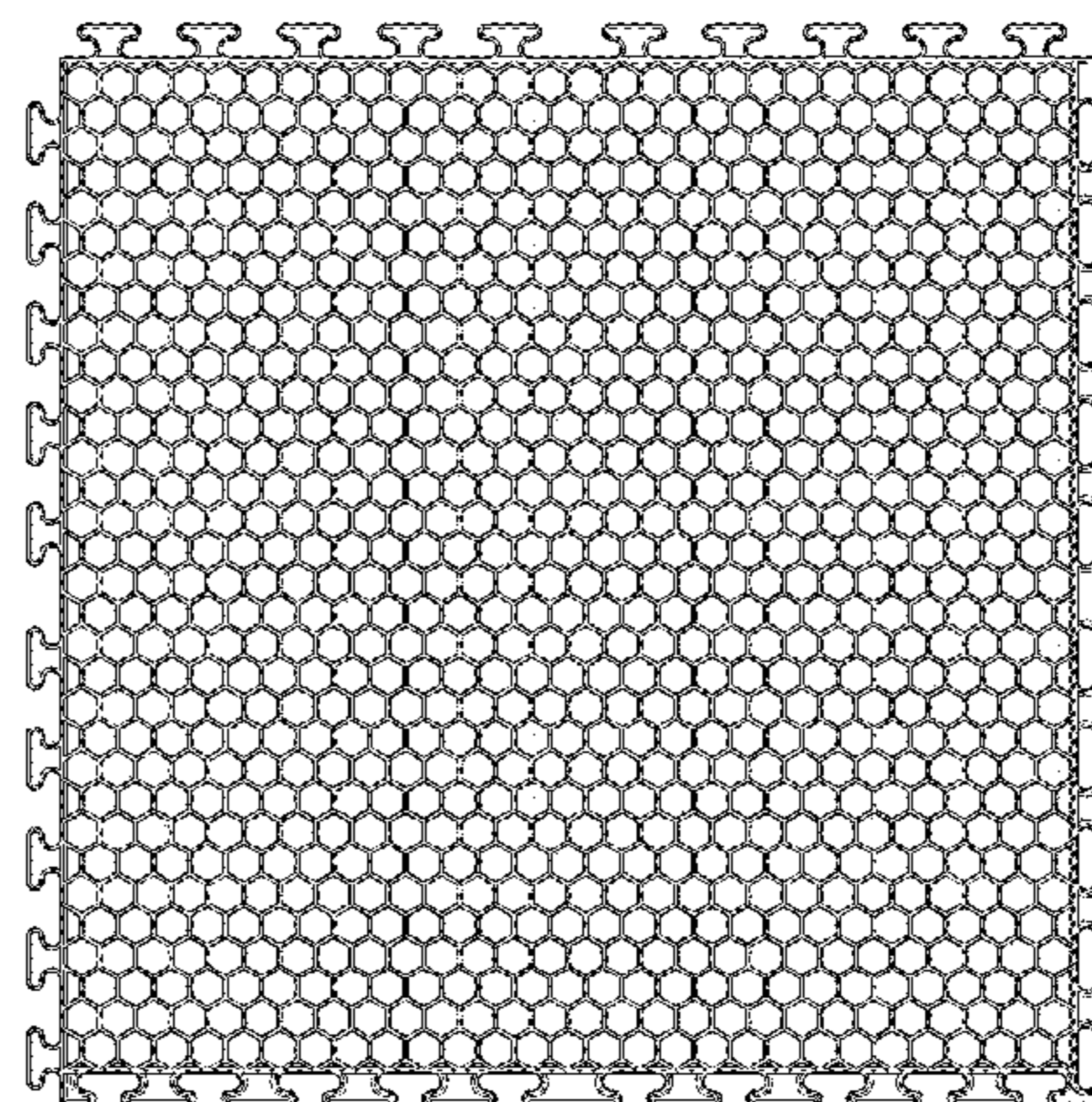
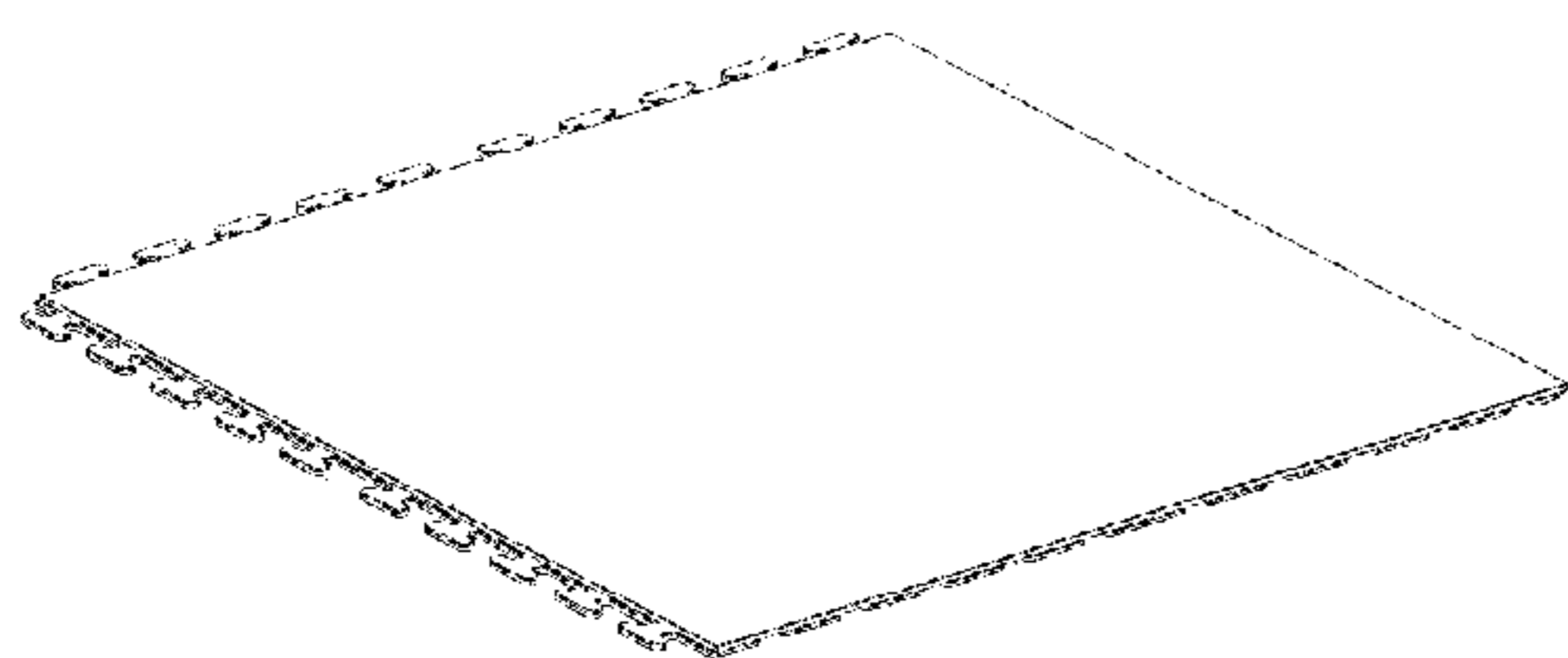


FIG. 3 is front elevational view thereof;
FIG. 4 is a bottom plan view thereof;
FIG. 5 is a rear elevational view thereof;
FIG. 6 is a first perspective bottom view thereof;
FIG. 7 is a perspective view of a detail area of FIG. 6;

FIG. 8 is a second perspective bottom view thereof; and,
FIG. 9 is a perspective view of a detail area of FIG. 8.

1 Claim, 7 Drawing Sheets

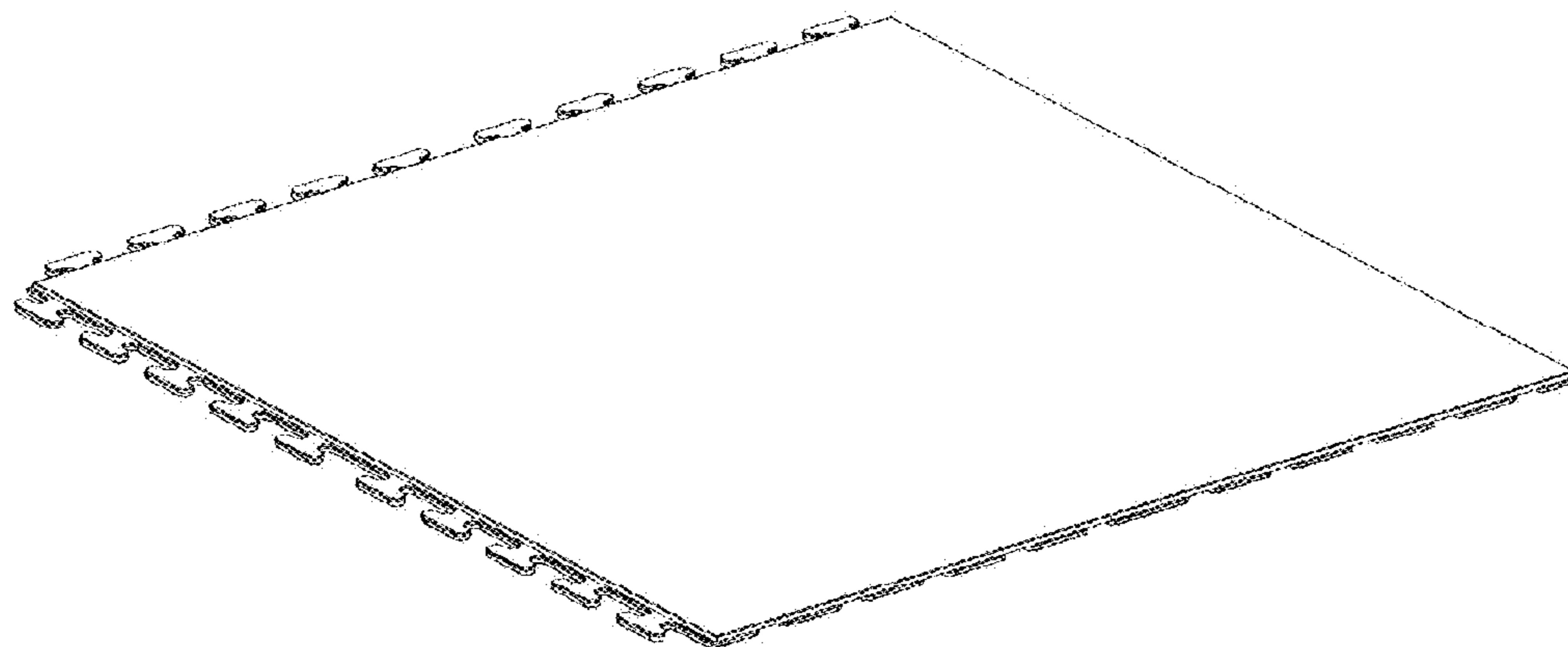


FIG. 1

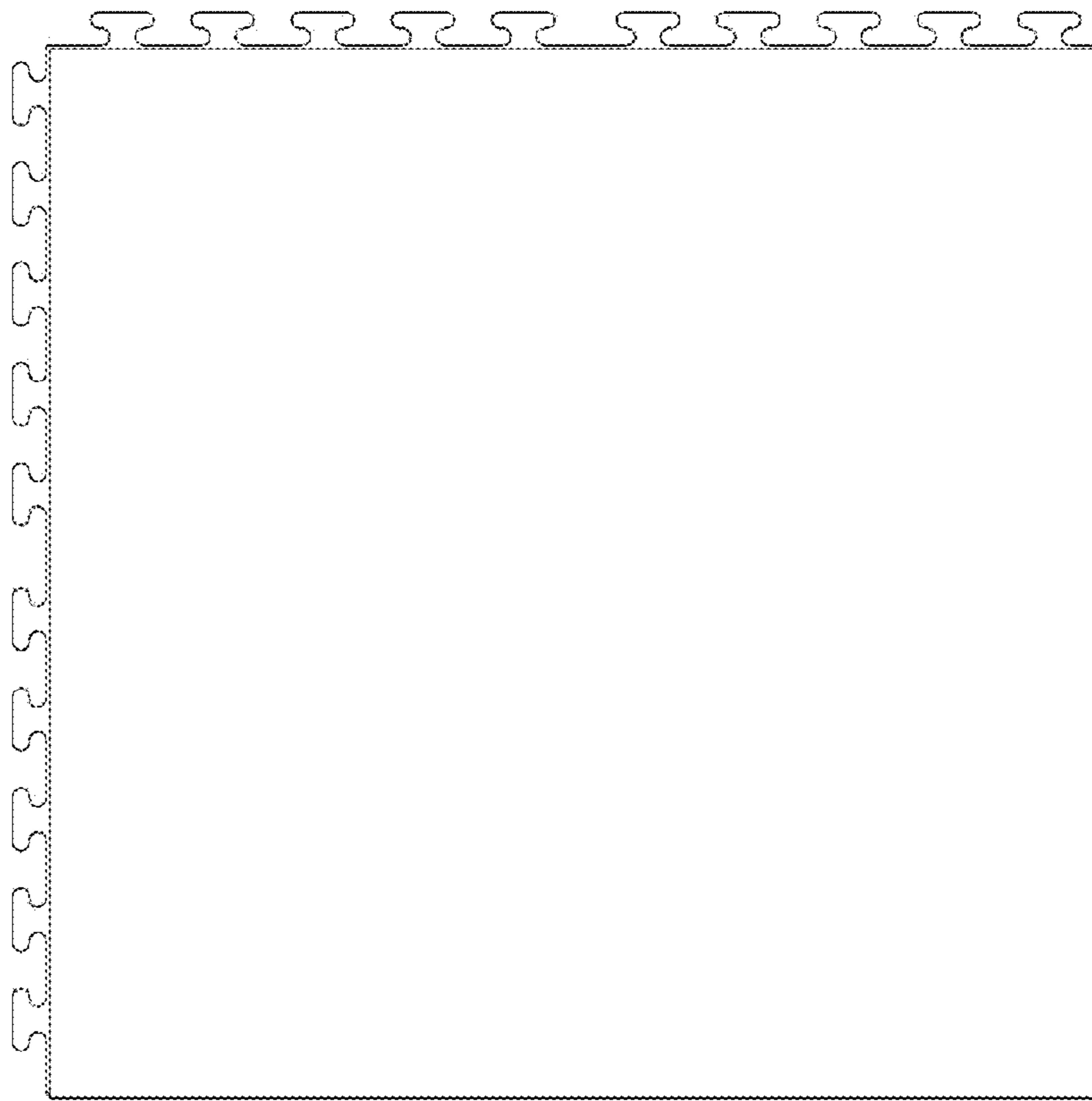


FIG. 2

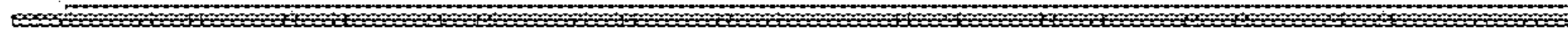


FIG. 3

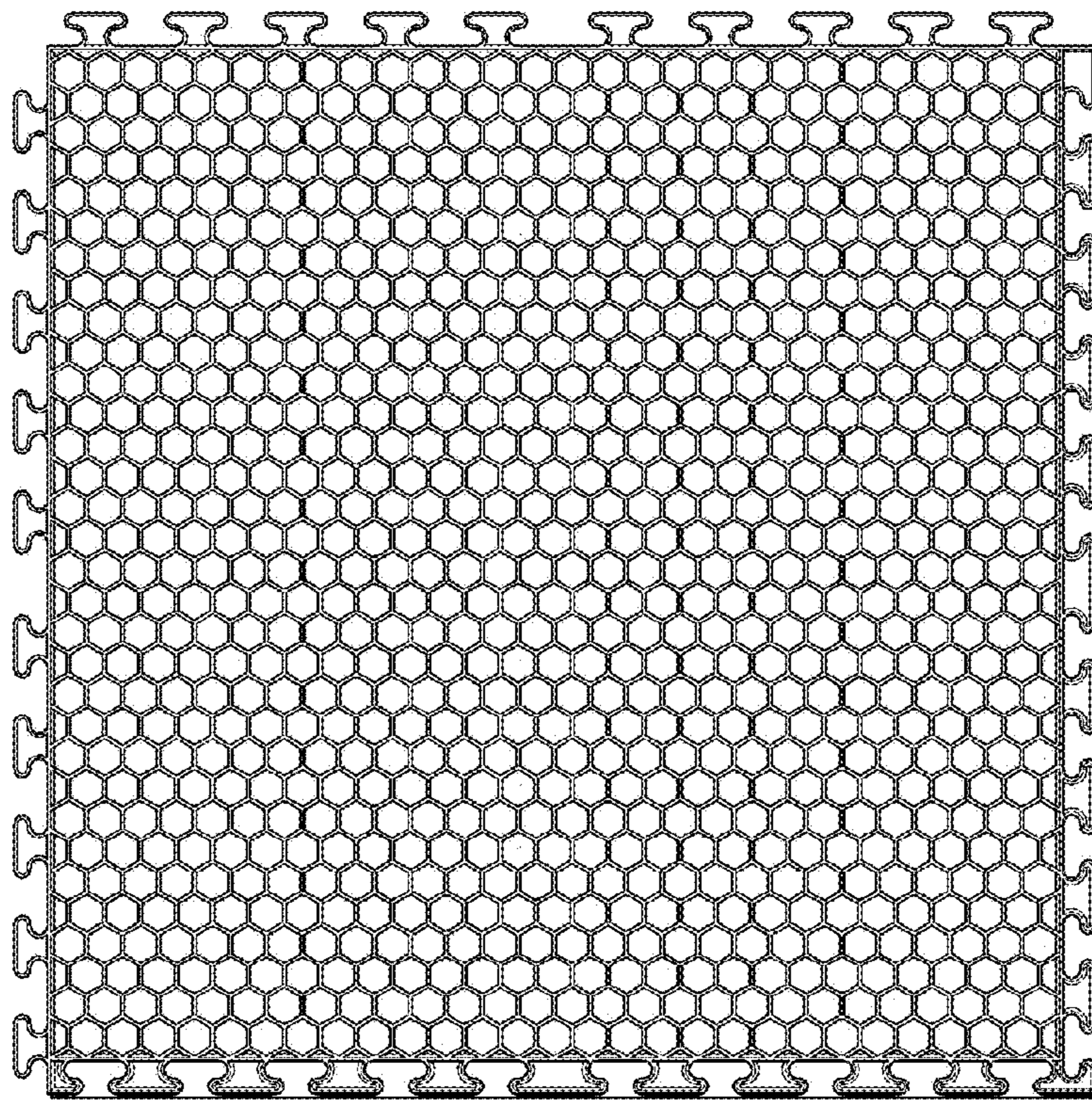


FIG. 4



FIG. 5

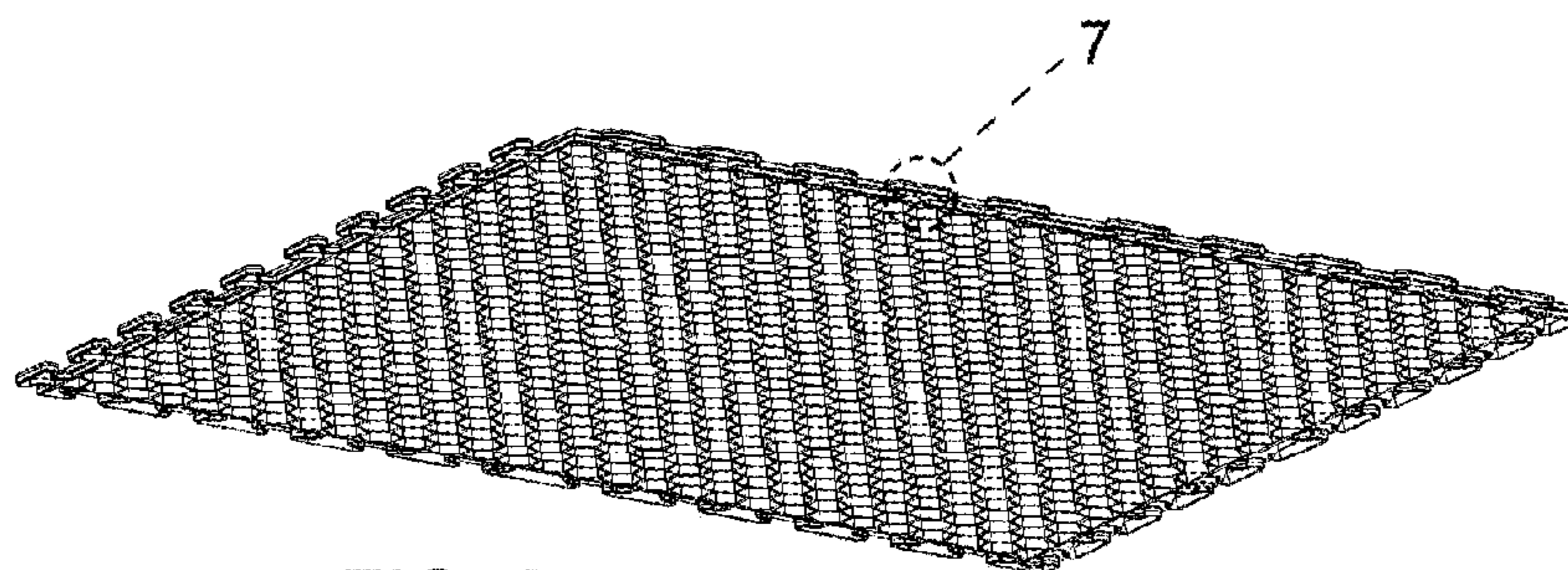


FIG. 6

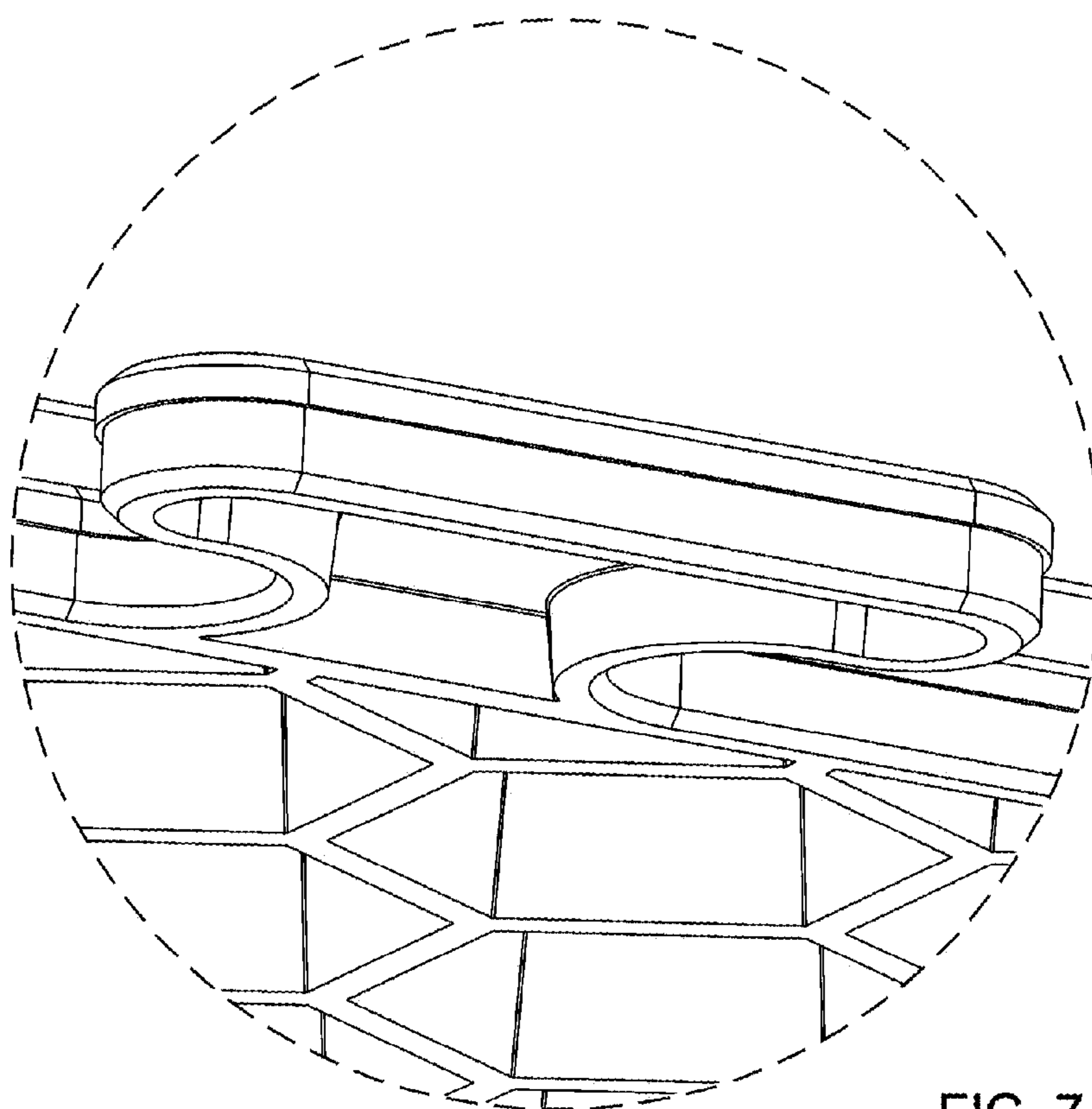


FIG. 7

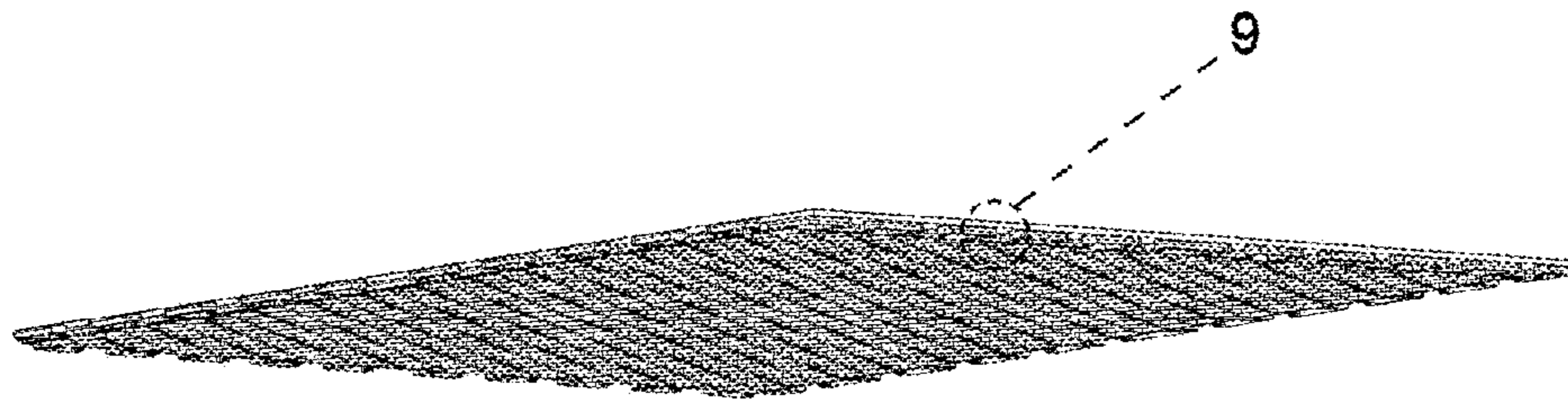


FIG. 8

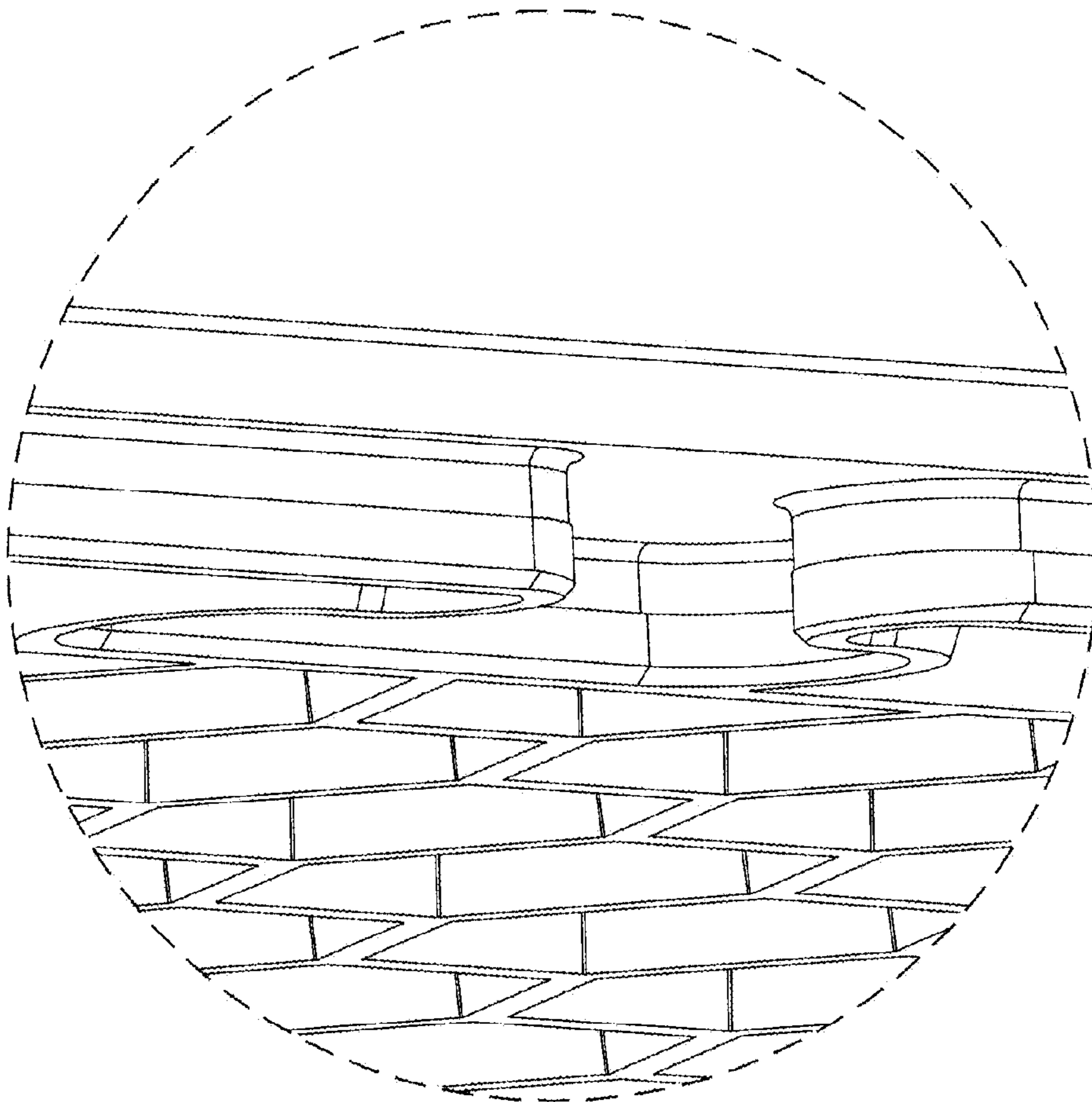


FIG. 9