



US00D768312S

(12) **United States Design Patent** (10) **Patent No.:** **US D768,312 S**
Choudhary (45) **Date of Patent:** **** Oct. 4, 2016**

(54) **COMPACT BIOREACTOR FOR CELL CULTIVATION**
(71) Applicant: **General Electric Company,**
Schenectady, NY (US)
(72) Inventor: **Manish Uddhaorao Choudhary,**
Bangalore (IN)
(73) Assignee: **GENERAL ELECTRIC COMPANY,**
Schenectady, NY (US)

D686,335 S * 7/2013 Feuerabend D24/216
D691,280 S * 10/2013 Matoba D24/216
D699,609 S * 2/2014 Noda D10/81
D737,459 S * 8/2015 Kurihara D24/232
D740,434 S * 10/2015 Isozaki D24/216
D745,185 S * 12/2015 Kimura D10/81
2009/0269841 A1* 10/2009 Wojciechowski C12M 29/00
435/325
2011/0003323 A1* 1/2011 Bargh C12M 23/42
435/29
2014/0255910 A1* 9/2014 Arnold C12M 41/48
435/3

(**) Term: **15 Years**

* cited by examiner

(21) Appl. No.: **29/535,196**

Primary Examiner — Anhdao Doan

(22) Filed: **Aug. 4, 2015**

(74) *Attorney, Agent, or Firm* — Sutherland Asbill & Brennan LLP

(30) **Foreign Application Priority Data**

Feb. 5, 2015 (IN) 269333

(51) **LOC (10) Cl.** **24-01**

(52) **U.S. Cl.**
USPC **D24/216**

(58) **Field of Classification Search**
USPC D24/216–219, 231, 232, 233, 107, 169,
D24/186; D10/81
CPC G01N 2035/00306; G01N 2035/00326;
G01N 2035/00336; G01N 30/027; C12M
21/06; C12M 21/10; C12M 29/26; C12M
29/10; C12M 41/12; C12M 41/48; C12Q
1/6844; B01L 7/52

See application file for complete search history.

(56) **References Cited**

U.S. PATENT DOCUMENTS

D358,895 S * 5/1995 Holbl D24/216
5,688,687 A * 11/1997 Palsson C12M 23/42
435/293.2

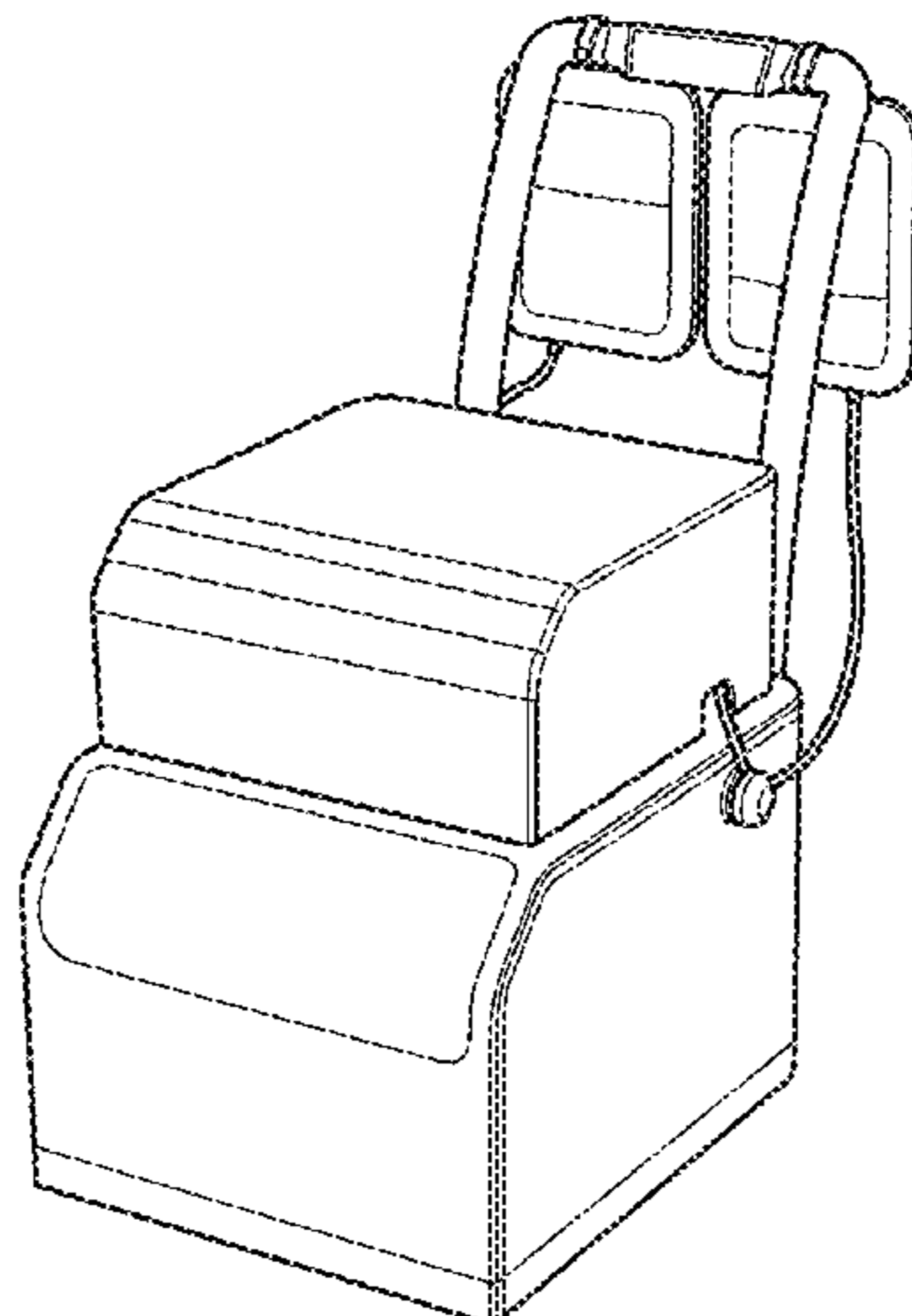
(57) **CLAIM**

The ornamental design for a compact bioreactor for cell cultivation, as shown and described.

DESCRIPTION

FIG. 1 is a front perspective view of an embodiment of a new design of a compact bioreactor for cell cultivation;
FIG. 2 is a front view thereof;
FIG. 3 is a back view thereof;
FIG. 4 is a left hand side view thereof;
FIG. 5 is a right hand side view thereof;
FIG. 6 is a top view thereof; and,
FIG. 7 is a bottom view thereof.

1 Claim, 7 Drawing Sheets



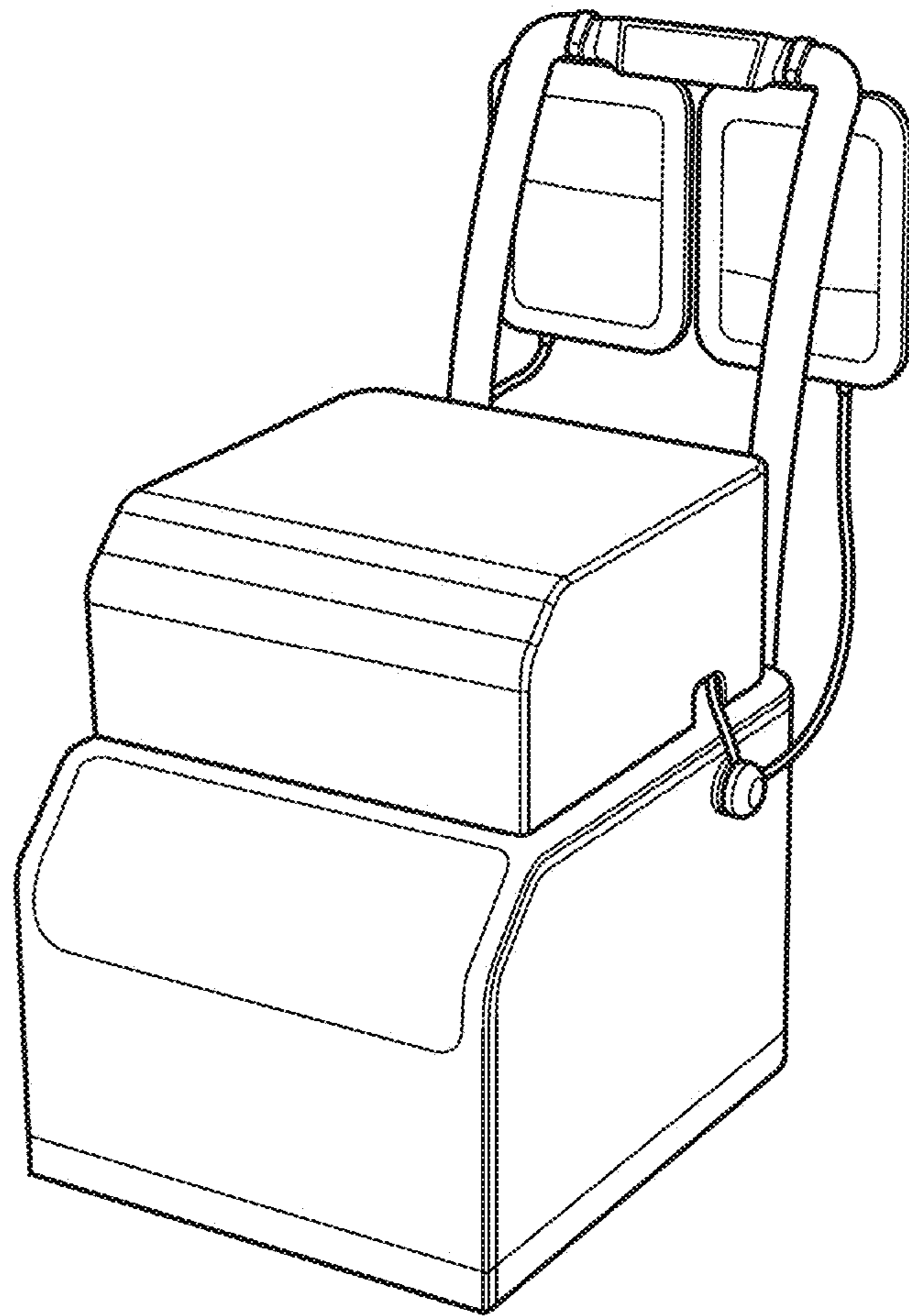


FIG. 1

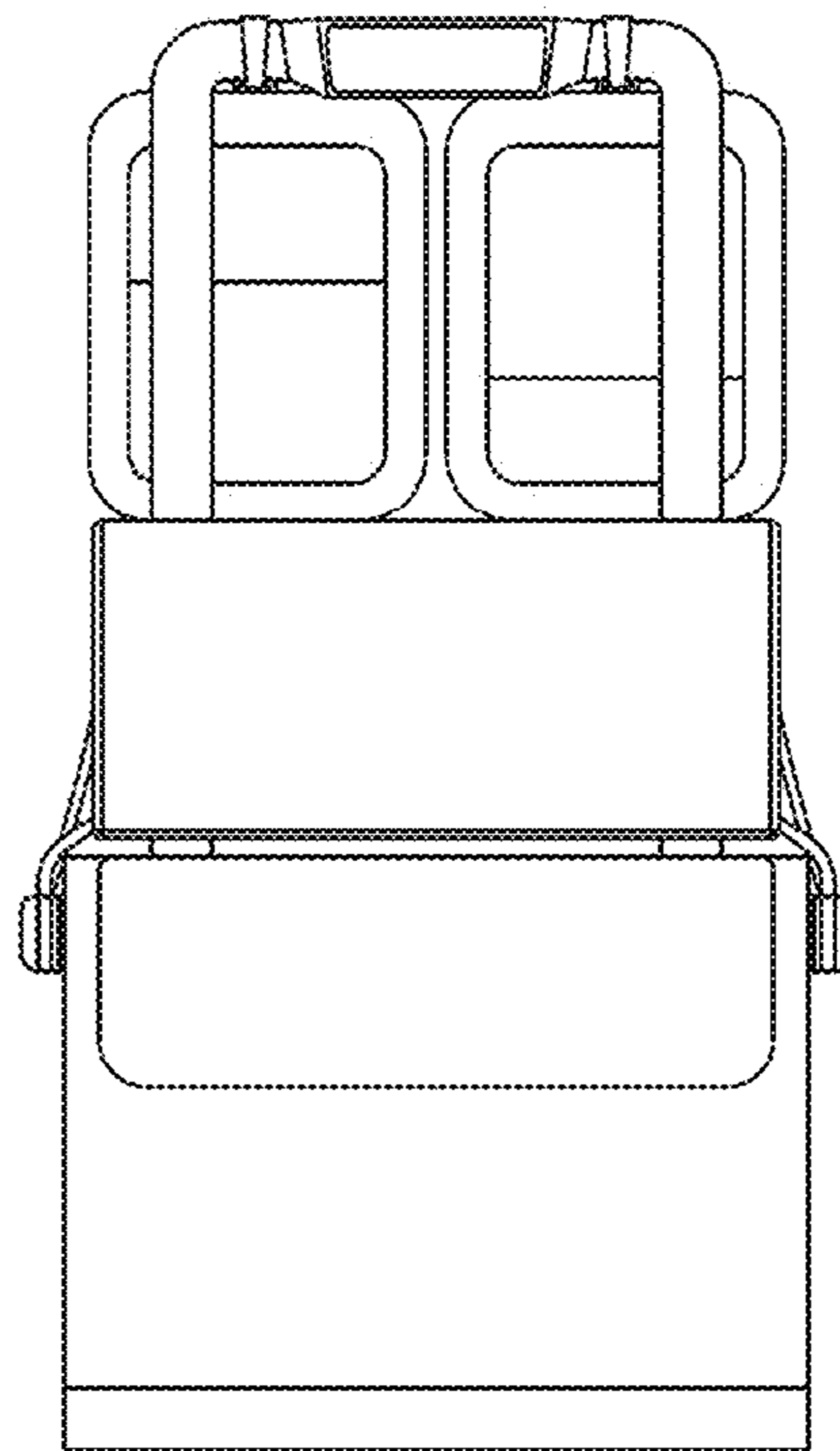


FIG. 2

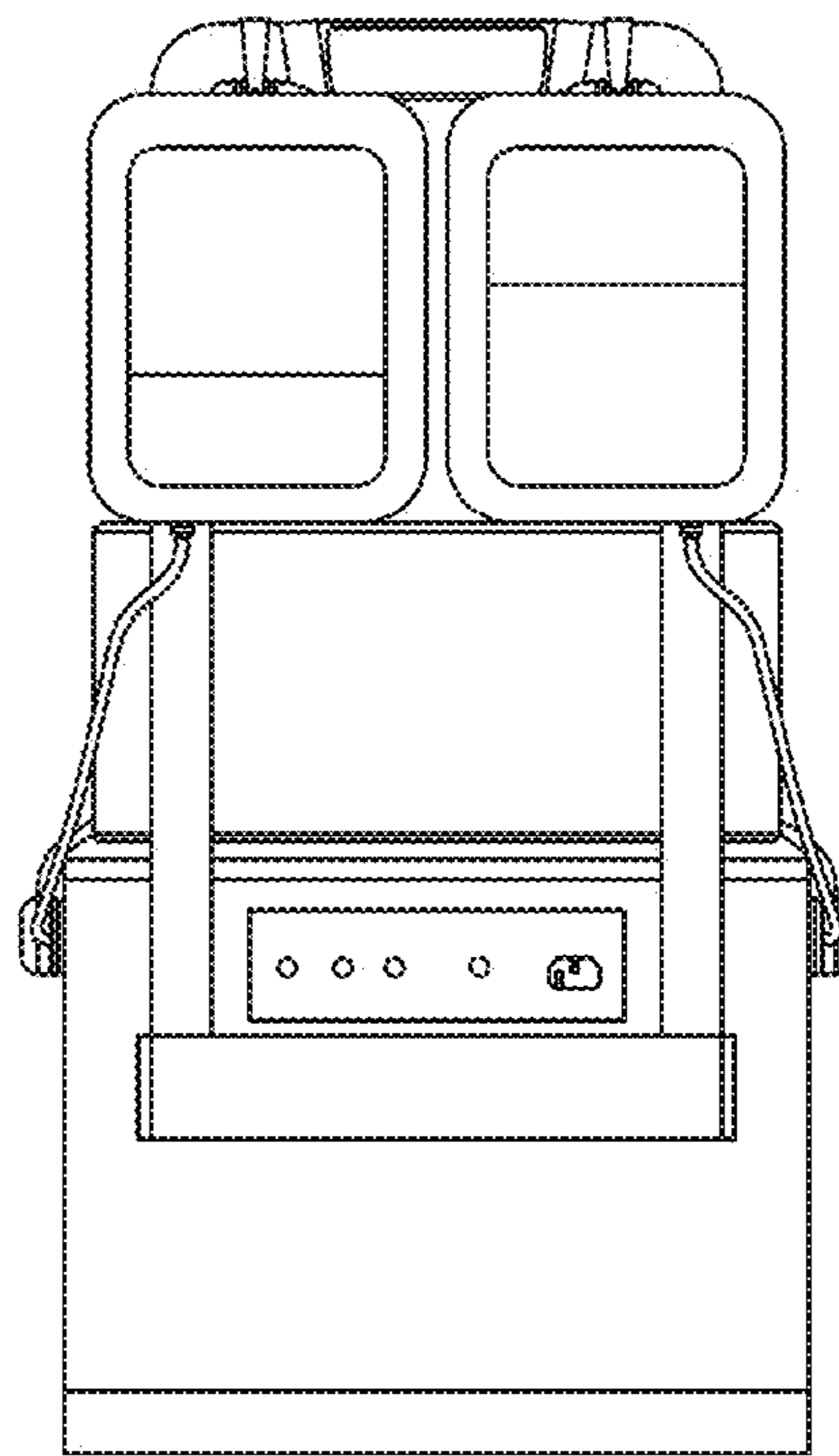


FIG. 3

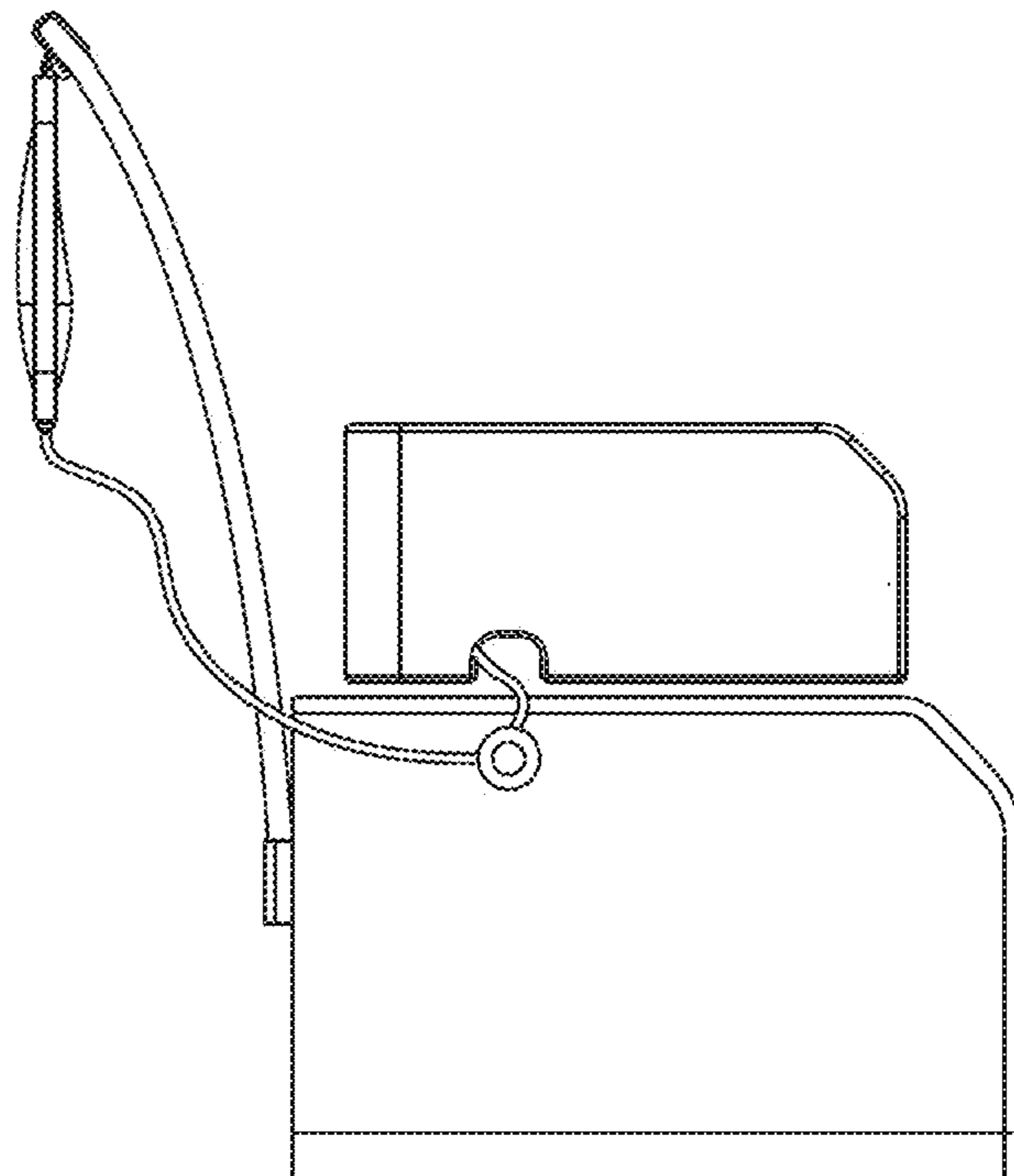


FIG. 4

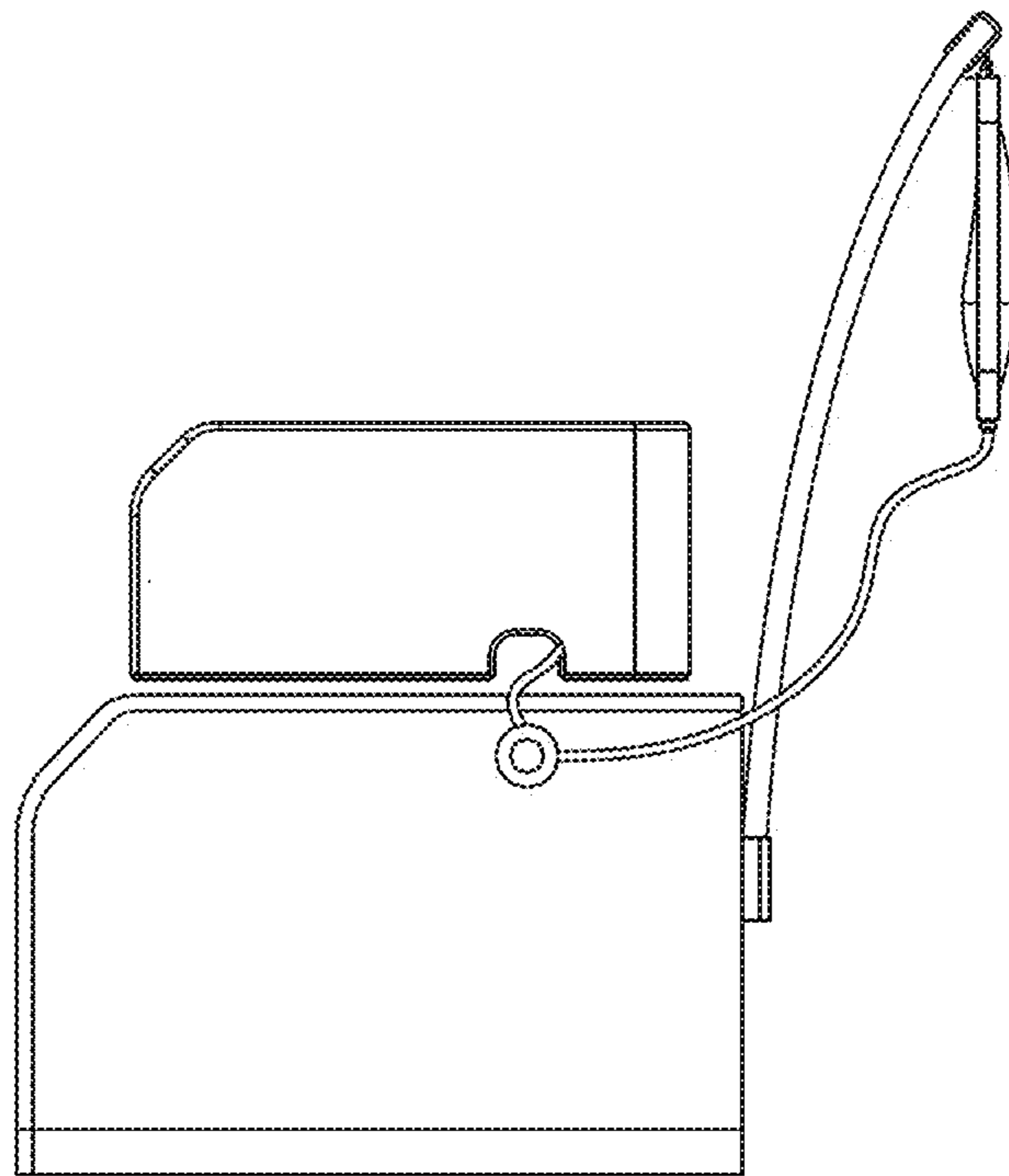


FIG. 5

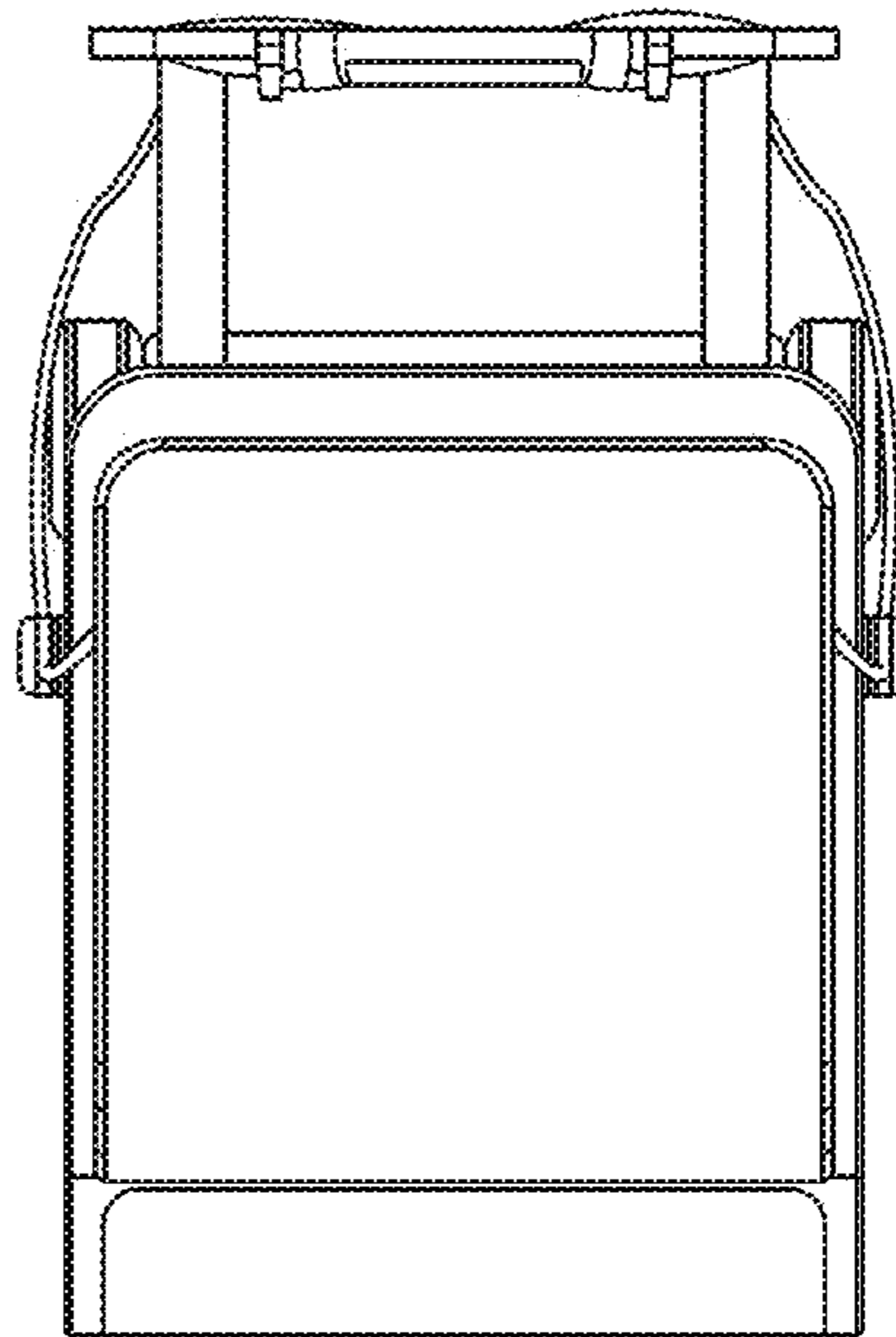


FIG. 6

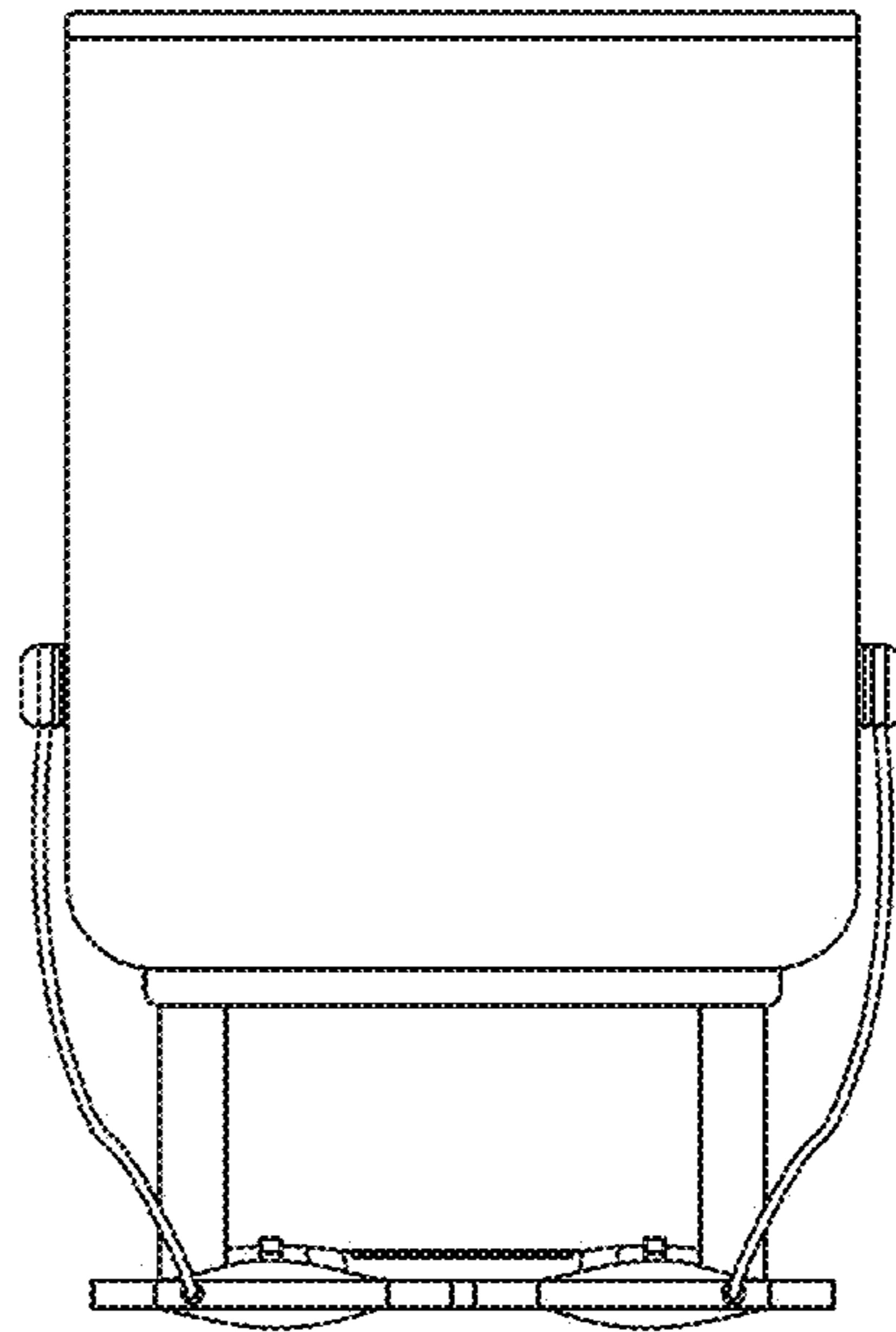


FIG. 7