



US00D768305S

(12) **United States Design Patent**
Ho

(10) **Patent No.:** **US D768,305 S**
(45) **Date of Patent:** **** Oct. 4, 2016**

(54) **MINIATURE LIP PLUMPER WITH LIP-SHAPING MOUTHPIECE**

- (71) Applicant: **Thienna Ho**, San Francisco, CA (US)
- (72) Inventor: **Thienna Ho**, San Francisco, CA (US)
- (**) Term: **15 Years**
- (21) Appl. No.: **29/538,655**
- (22) Filed: **Sep. 4, 2015**
- (51) **LOC (10) Cl.** **24-99**
- (52) **U.S. Cl.**
USPC **D24/200**
- (58) **Field of Classification Search**
USPC D24/200, 206-208, 214-215; D28/67;
D7/628; D9/643, 645; 428/21
CPC A41G 1/00; A41G 1/008; A61H 7/00;
A61H 7/001; A61H 7/002; A61H 7/003;
A61H 7/005; A61H 7/007; A61H 7/008;
A61H 2007/009; A61H 9/0057; A61H 9/005;
A61H 2009/0064; A61H 2205/00; A61H
2205/022
See application file for complete search history.

(56) **References Cited**

U.S. PATENT DOCUMENTS

D431,097 S *	9/2000	Tamez	D28/67
D605,471 S *	12/2009	Ehrenhaus	D7/628
D666,460 S *	9/2012	Kolano	D7/628
8,858,472 B2 *	10/2014	Gomez	A61H 9/0057 601/6
9,119,758 B2 *	9/2015	Ho	A61H 9/0057

* cited by examiner

Primary Examiner — Wan Laymon

(74) *Attorney, Agent, or Firm* — Jonathan Jaech; Snell & Wilmer, L.L.P.

(57) **CLAIM**

The ornamental design for a miniature lip plumper with lip-shaping mouthpiece, as shown and described.

DESCRIPTION

FIG. 1 is a perspective view of the miniature lip plumper with lip-shaping mouthpiece, from above and to the side, wherein the mouthpiece includes a lip-creasing element.

FIG. 2 is a perspective view of the miniature lip plumper with lip-shaping mouthpiece, from below and to the side.

FIG. 3 is a front side view of the miniature lip plumper with lip-shaping mouthpiece shown in FIG. 1.

FIG. 4 is a rear side view of the miniature lip plumper with lip-shaping mouthpiece shown in FIG. 1.

FIG. 5 is a right side view of the miniature lip plumper with lip-shaping mouthpiece shown in FIG. 1.

FIG. 6 is left side view of the miniature lip plumper with lip-shaping mouthpiece of FIG. 1.

FIG. 7 is a top plan view of the miniature lip plumper with lip-shaping mouthpiece shown in FIG. 1.

FIG. 8 is a bottom plan view of the miniature lip plumper with lip-shaping mouthpiece shown in FIG. 1.

FIG. 9 is an exploded perspective view of the miniature lip plumper with lip-shaping mouthpiece shown in FIG. 1, showing interior components that are not a part of the ornamental design, for context.

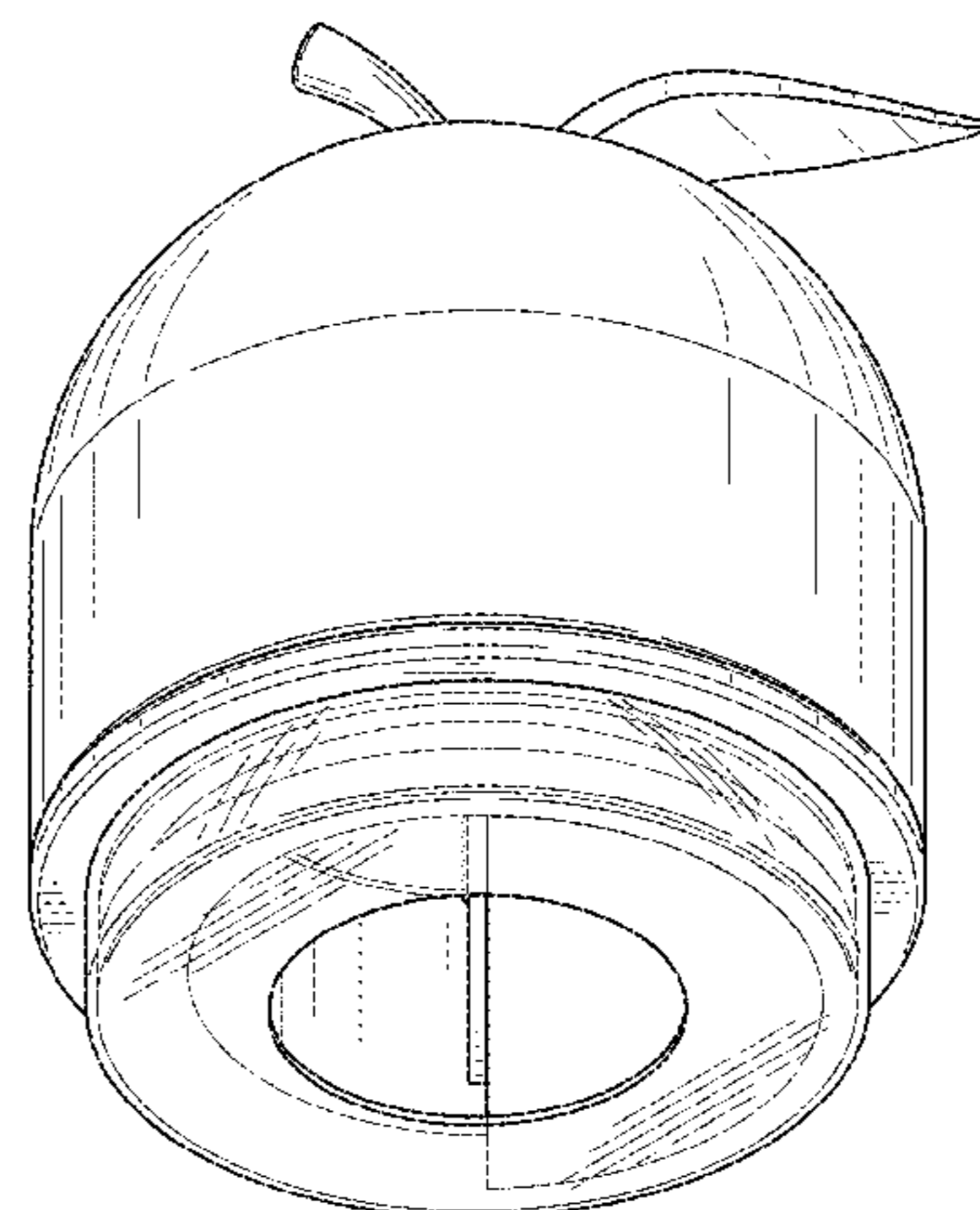
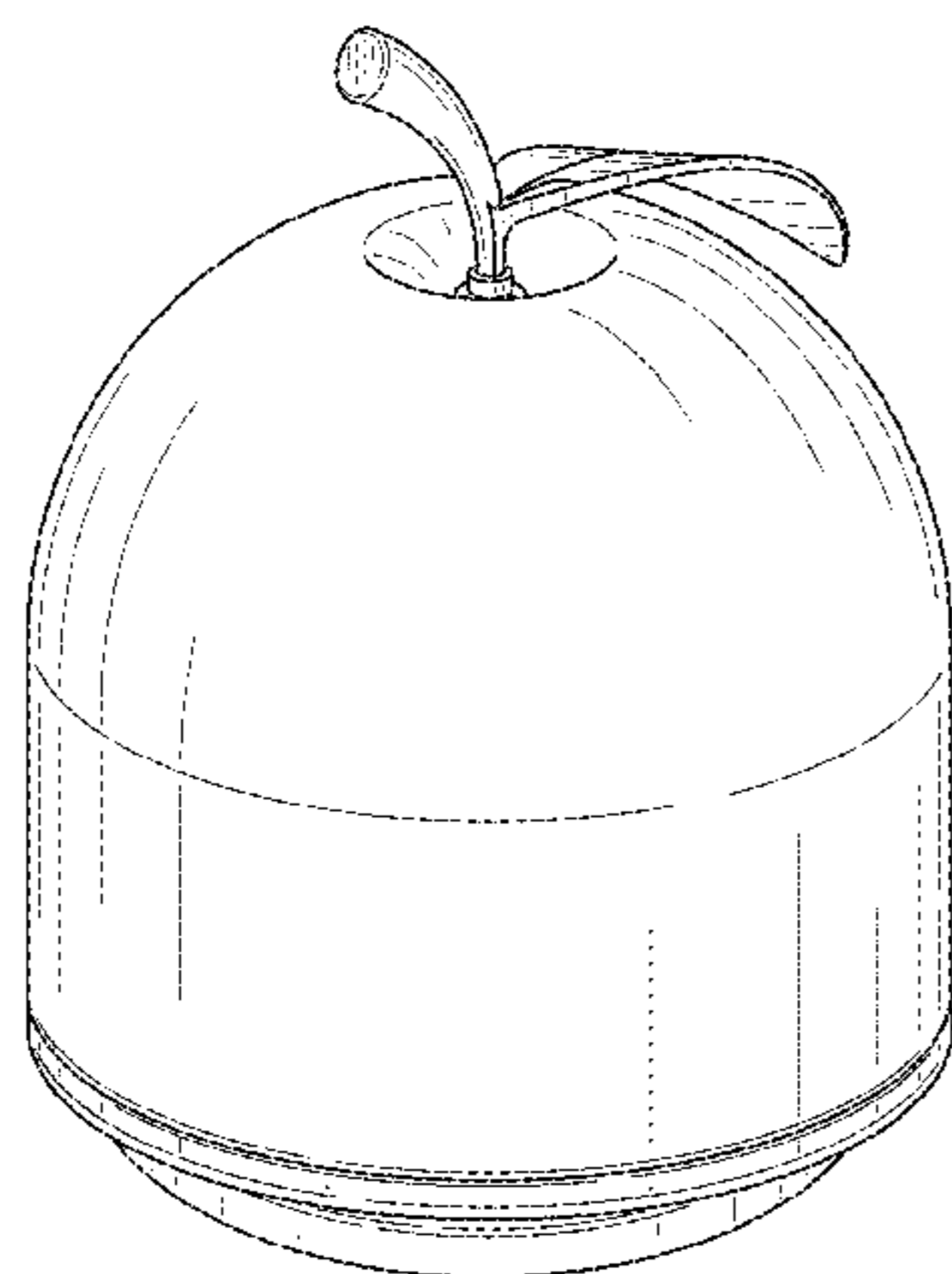
FIG. 10 is a bottom plan view of a miniature lip plumper with lip-shaping mouthpiece as shown in FIG. 1, wherein the mouthpiece does not include a lip-creasing element. Front side, rear side, right side, left side, and top plan views of the design are identical to FIGS. 3-7, respectively.

FIG. 11 is a perspective view of the miniature lip plumper with lip-shaping mouthpiece of FIG. 10, from below and to the side.

FIG. 12 is a bottom plan view of a miniature lip plumper with lip-shaping mouthpiece as shown in FIGS. 1 or 10, wherein a semi-circular suction blocker is positioned in the mouthpiece. Front side, rear side, right side, left side, and top plan views of the design are identical to FIGS. 3-7, respectively.

FIG. 13 is a perspective view of the miniature lip plumper with lip-shaping mouthpiece of FIG. 12, from below and to the side.

FIG. 14 is a perspective view of the miniature lip plumper of FIGS. 1-9, wherein the lip-shaping mouthpiece is covered



by a soft, semi-transparent removable cushion, from below and to the side. The top plan view of the design is identical to FIG. 7.

FIG. 15 is a front side view of the miniature lip plumper with lip-shaping mouthpiece of FIG. 3, wherein the lip-shaping mouthpiece is covered by the cushion shown in FIG. 14. The cushion appears identical to its appearance in FIG. 15 in rear side, right side, and left side views, and the design excluding the cushion is the same as shown in the corresponding views in FIGS. 4-6.

FIG. 16 is a bottom plan view of the miniature lip plumper with lip-shaping mouthpiece of FIG. 3, wherein the lip-shaping mouthpiece is covered by the cushion shown in FIG. 14.

FIG. 17 is a bottom plan view of the miniature lip plumper with lip-shaping mouthpiece of FIG. 10, wherein the lip-shaping mouthpiece is covered by the cushion shown in FIG. 14. The design in rear side, right side, left side, and top plan

views is the same as the design shown in, or described in connection with, FIGS. 14-15.

FIG. 18 is a perspective view of the miniature lip plumper with lip-shaping mouthpiece of FIG. 17, from below and to the side.

FIG. 19 is a bottom plan view of the miniature lip plumper with lip-shaping mouthpiece with blocker of FIG. 12, wherein the lip-shaping mouthpiece is covered by the cushion shown in FIG. 14. The design in rear side, right side, left side, and top plan views is the same as the design shown in, or described in connection with, FIGS. 14-15; and,

FIG. 20 is a perspective view of the miniature lip plumper with lip-shaping mouthpiece of FIG. 19, from below and to the side.

The broken lines showing in the figures represent portions of the miniature lip plumper with lip-shaping mouthpiece that form no part of the claimed design.

1 Claim, 12 Drawing Sheets

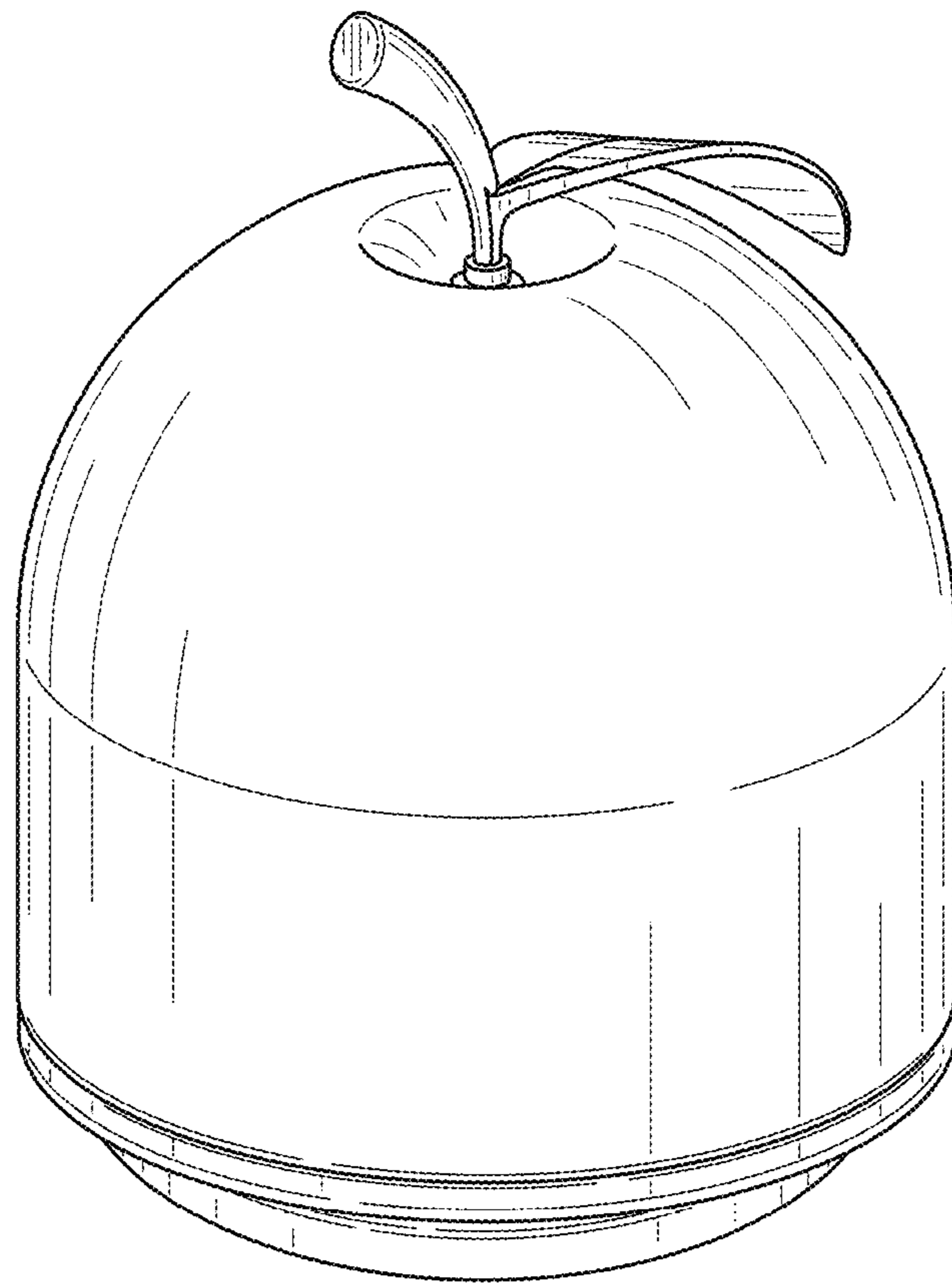


FIG. 1

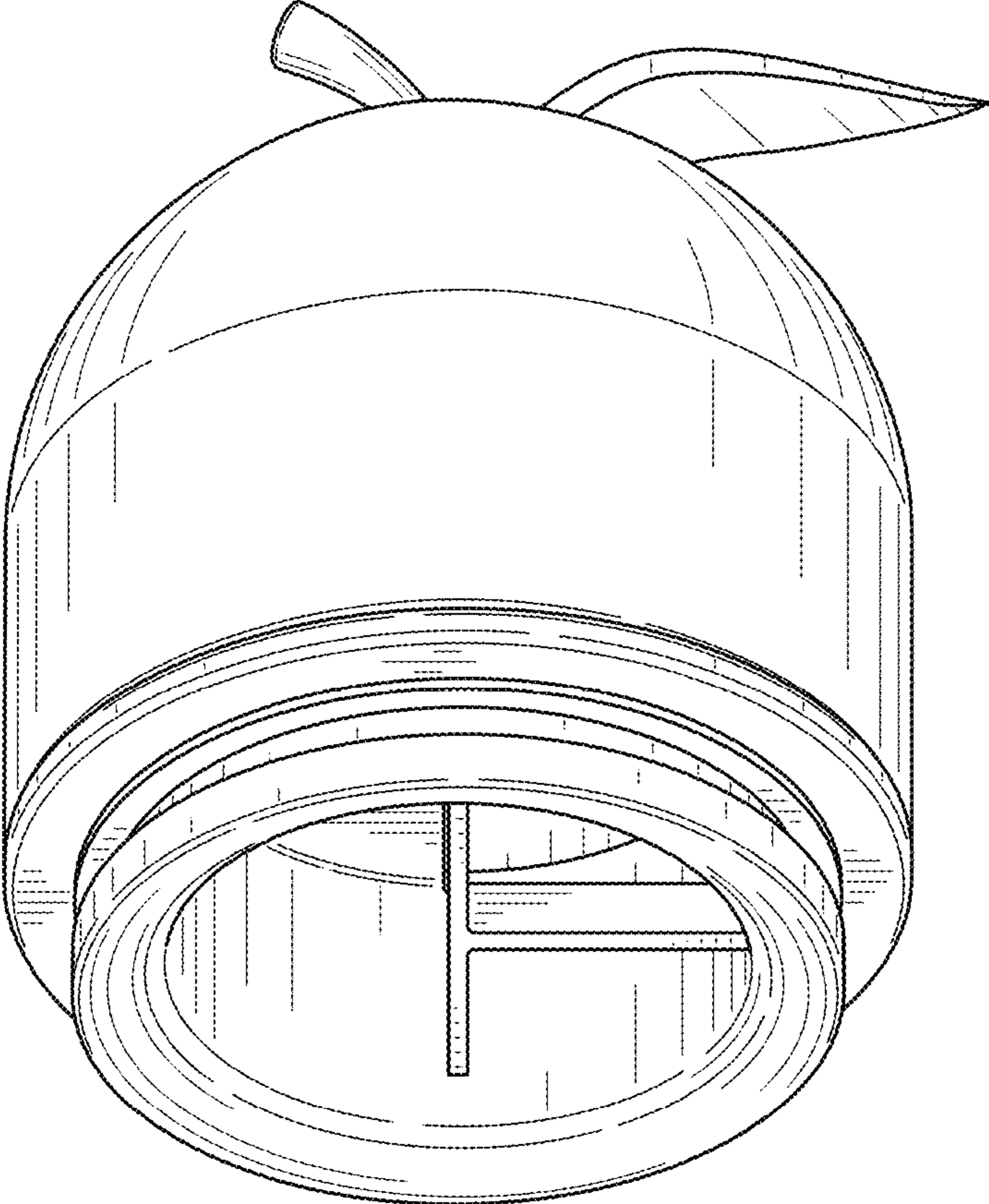


FIG. 2

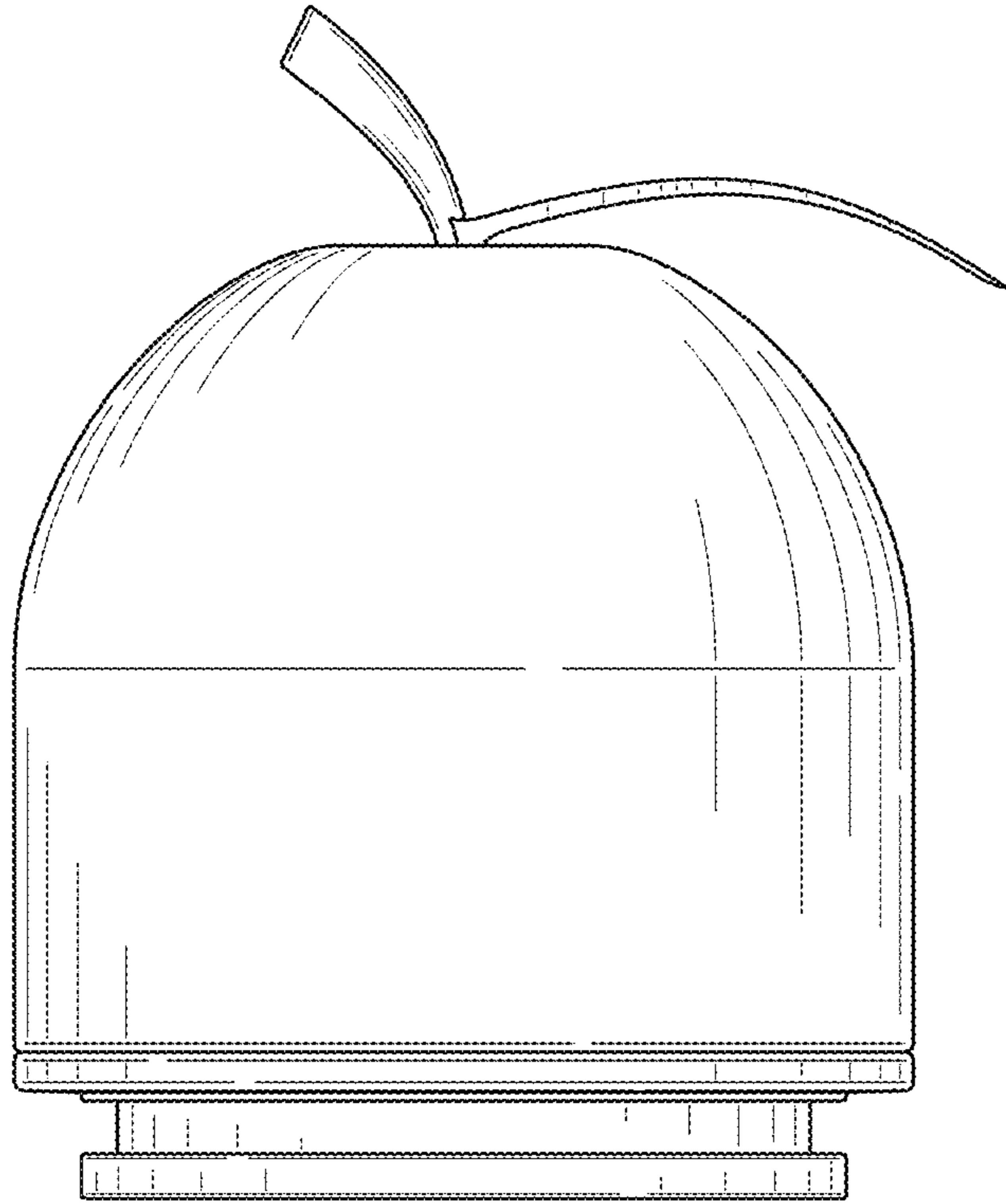


FIG. 3

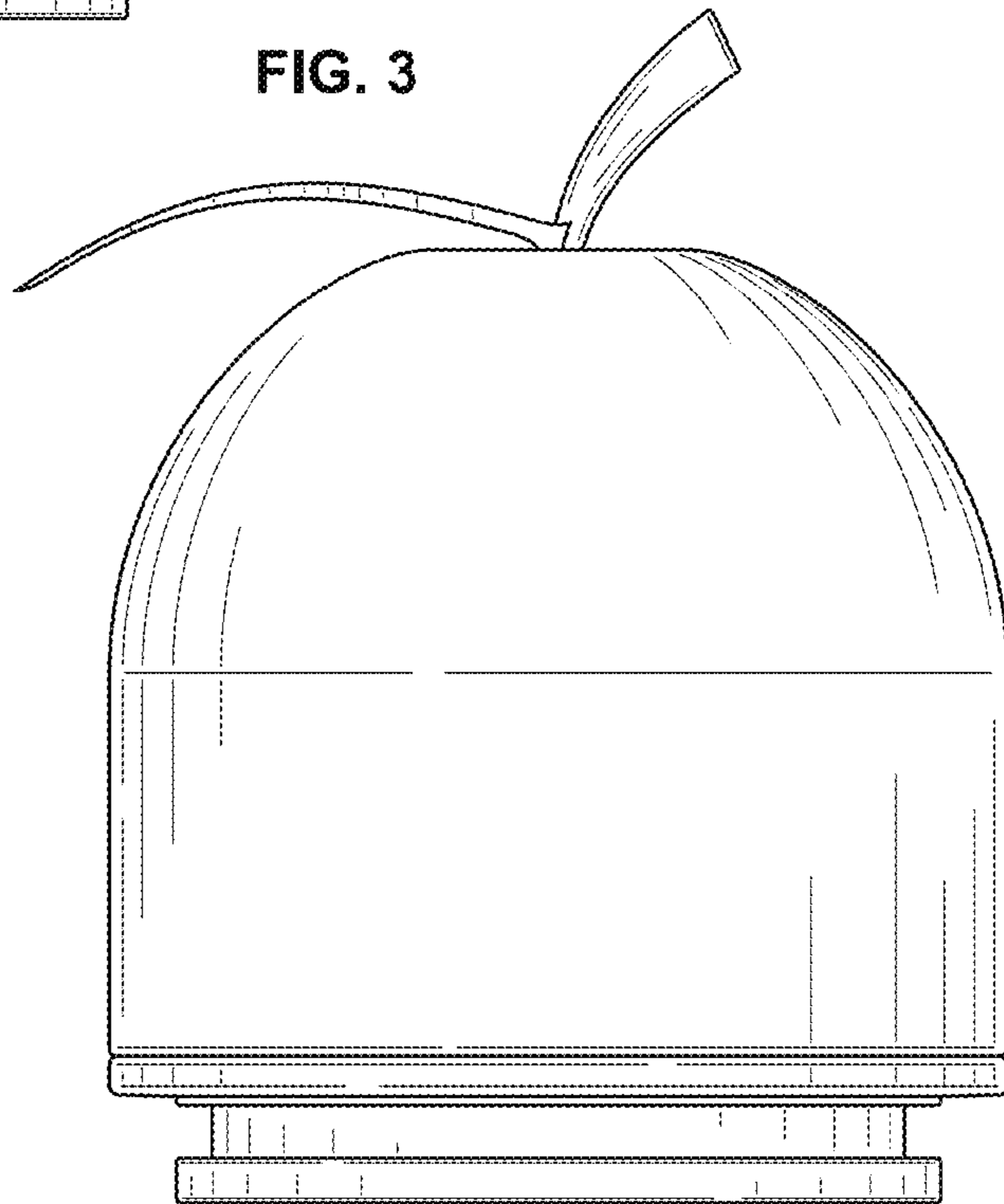


FIG. 4

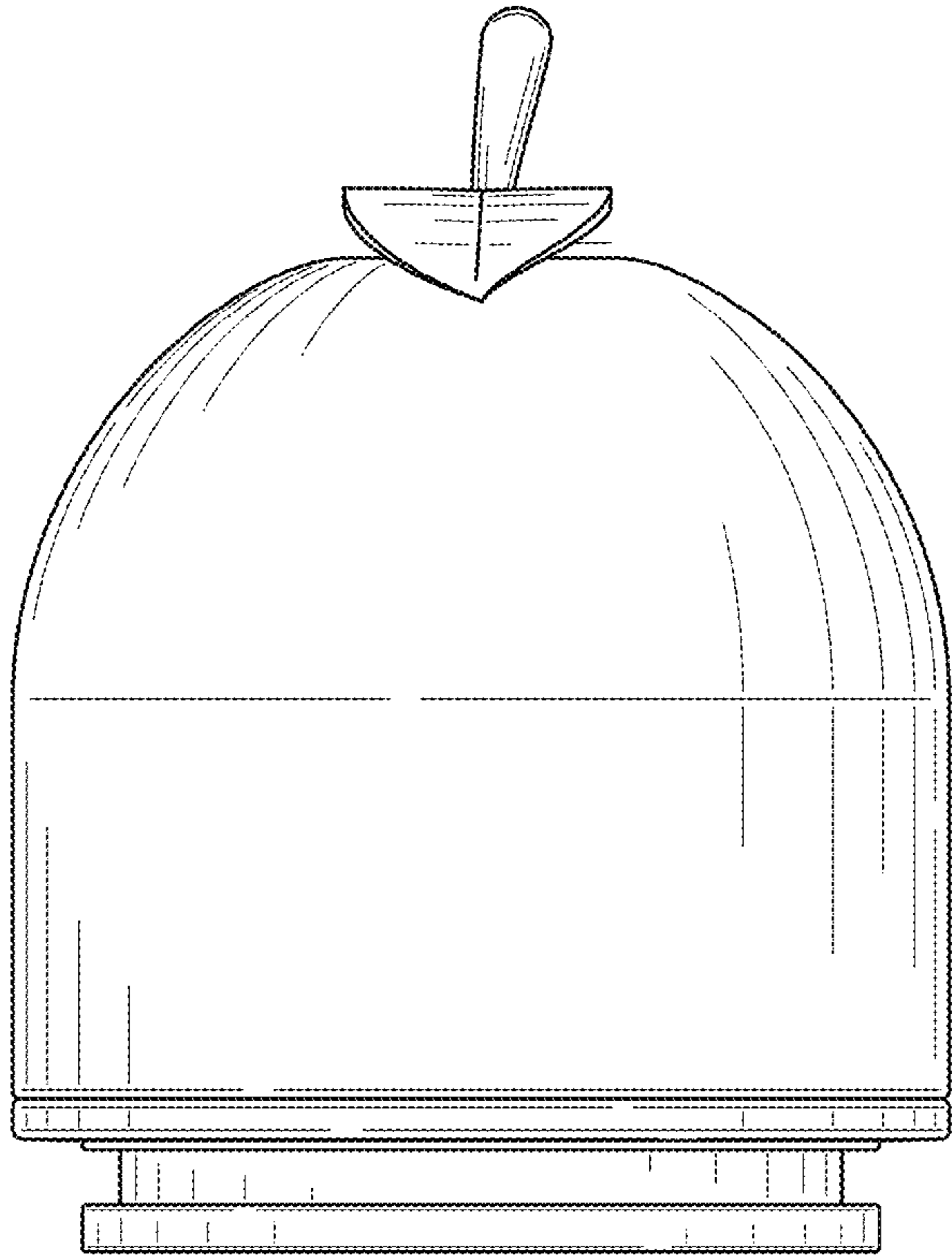


FIG. 5

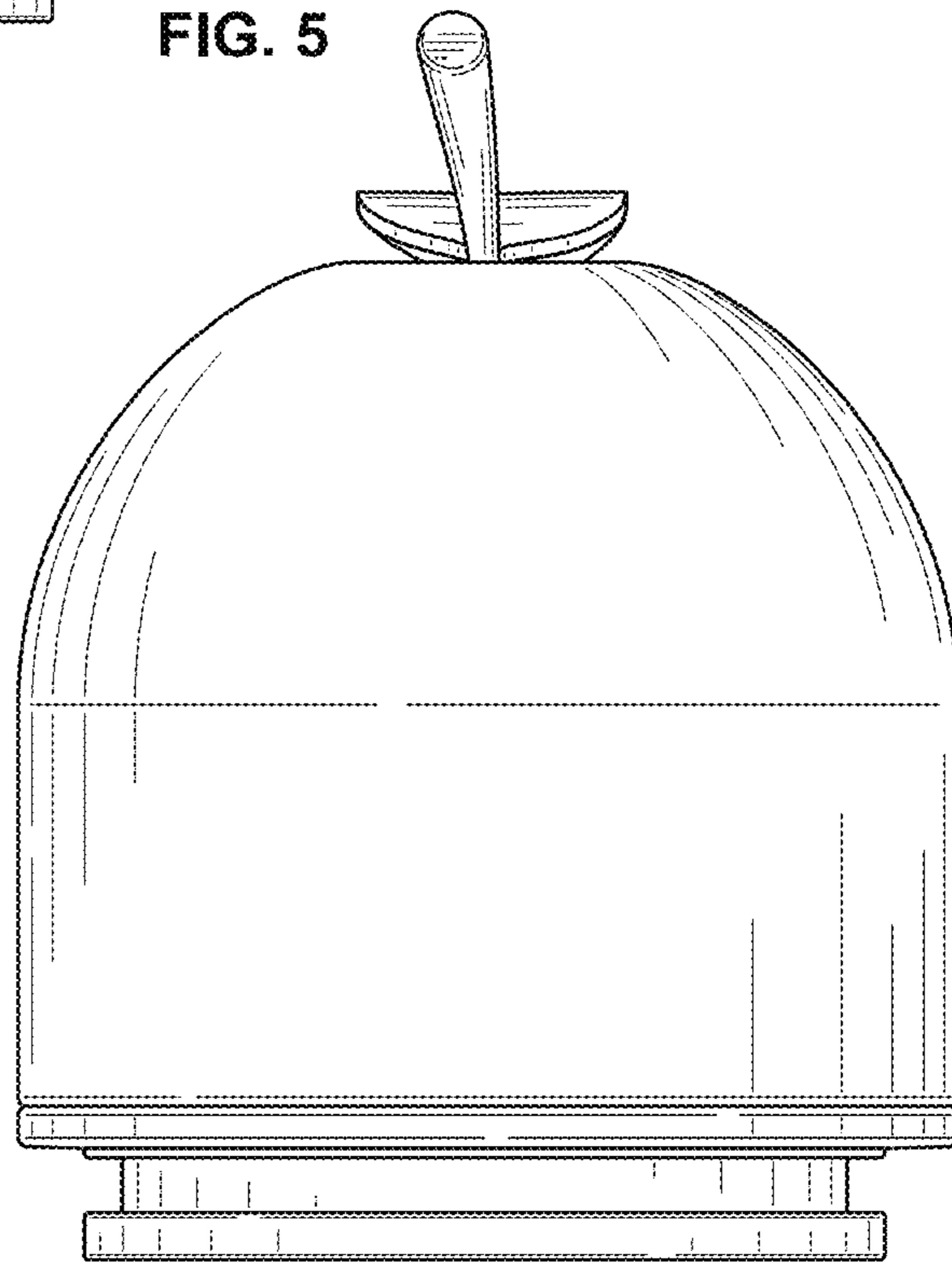


FIG. 6

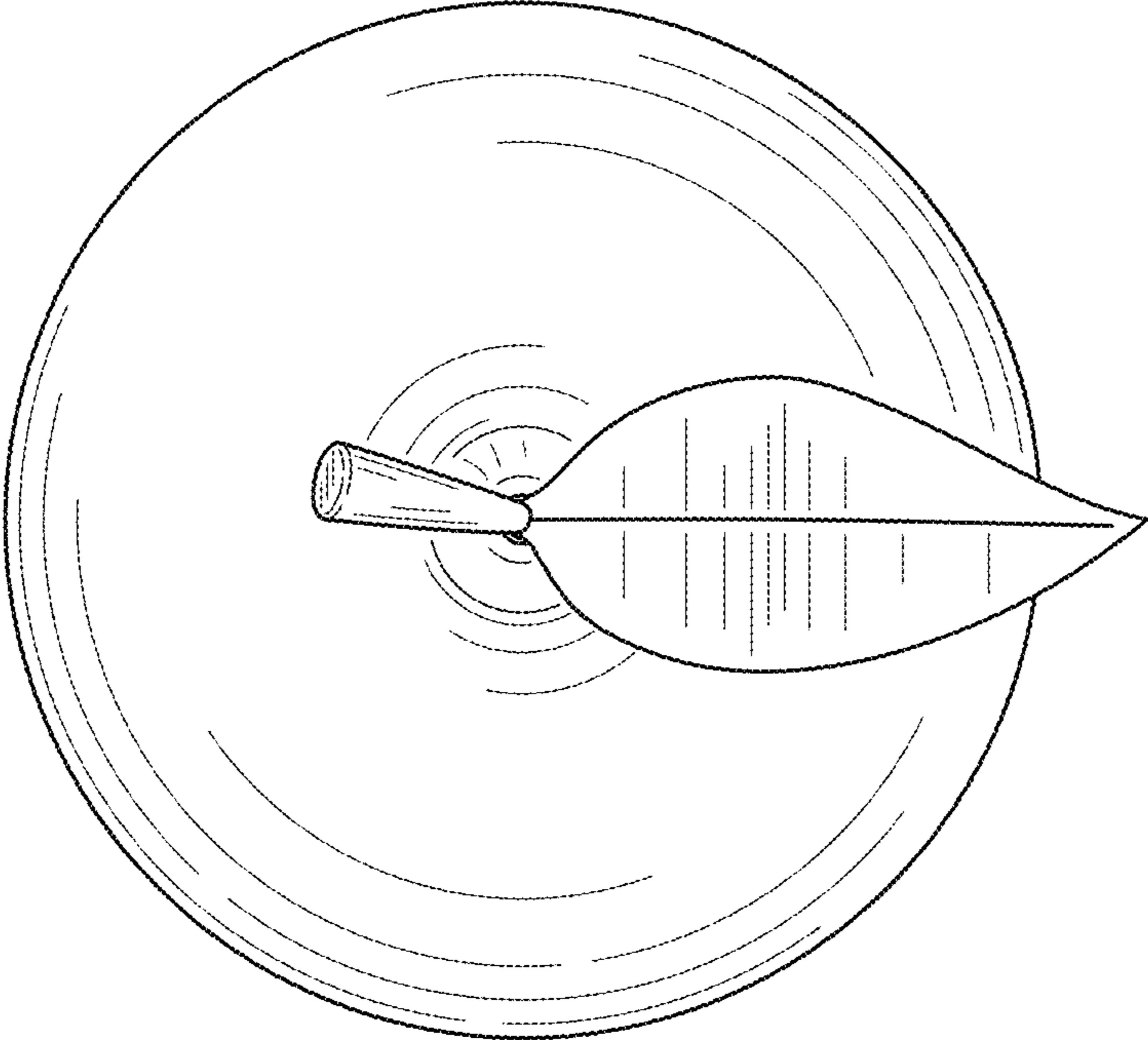


FIG. 7

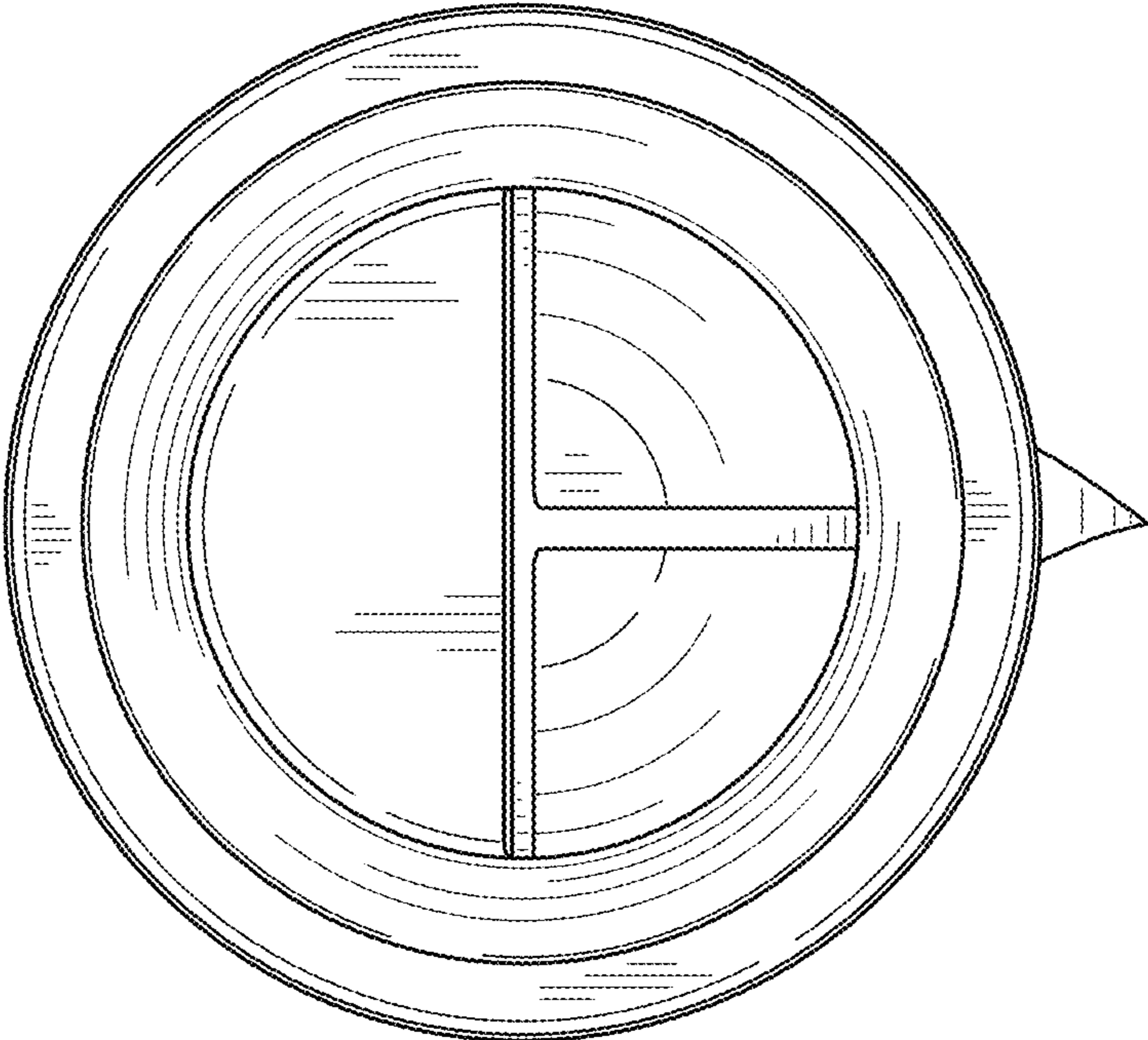


FIG. 8

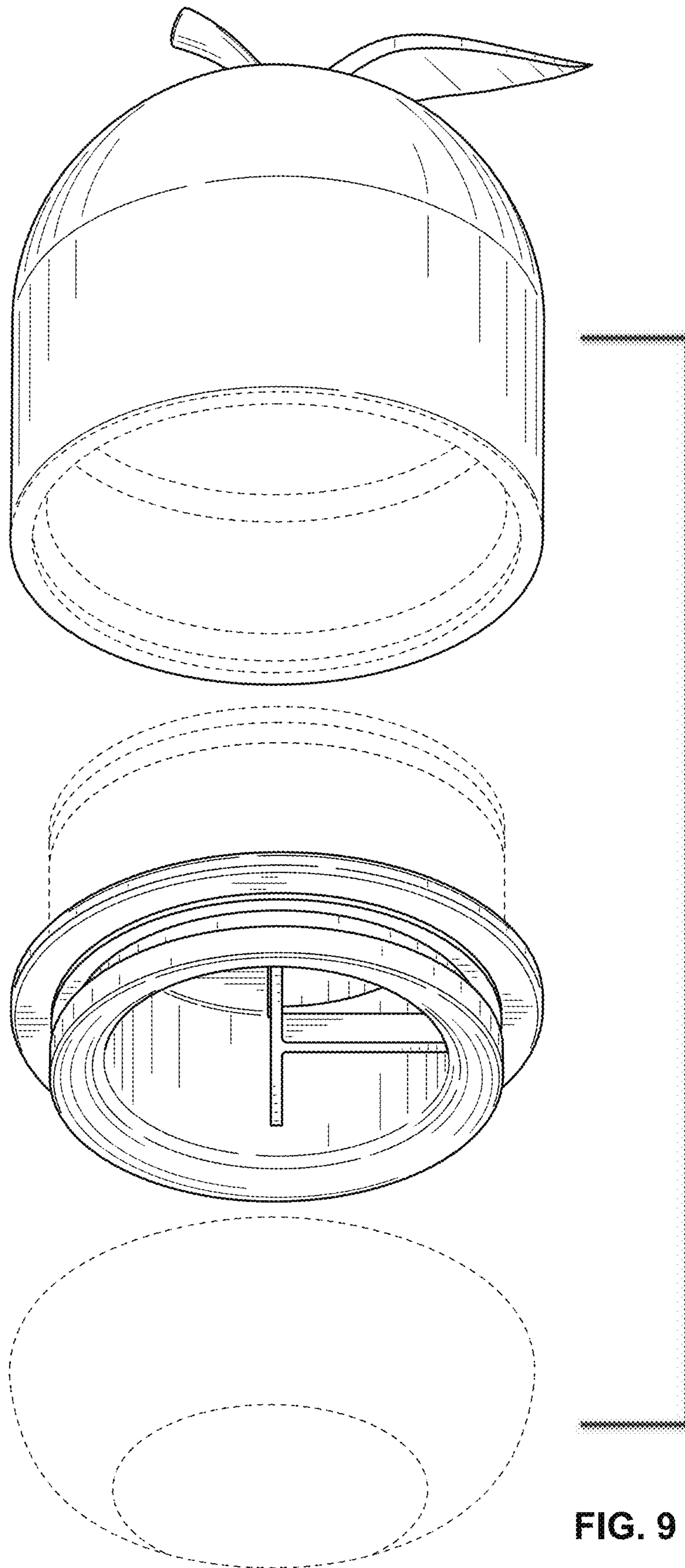


FIG. 9

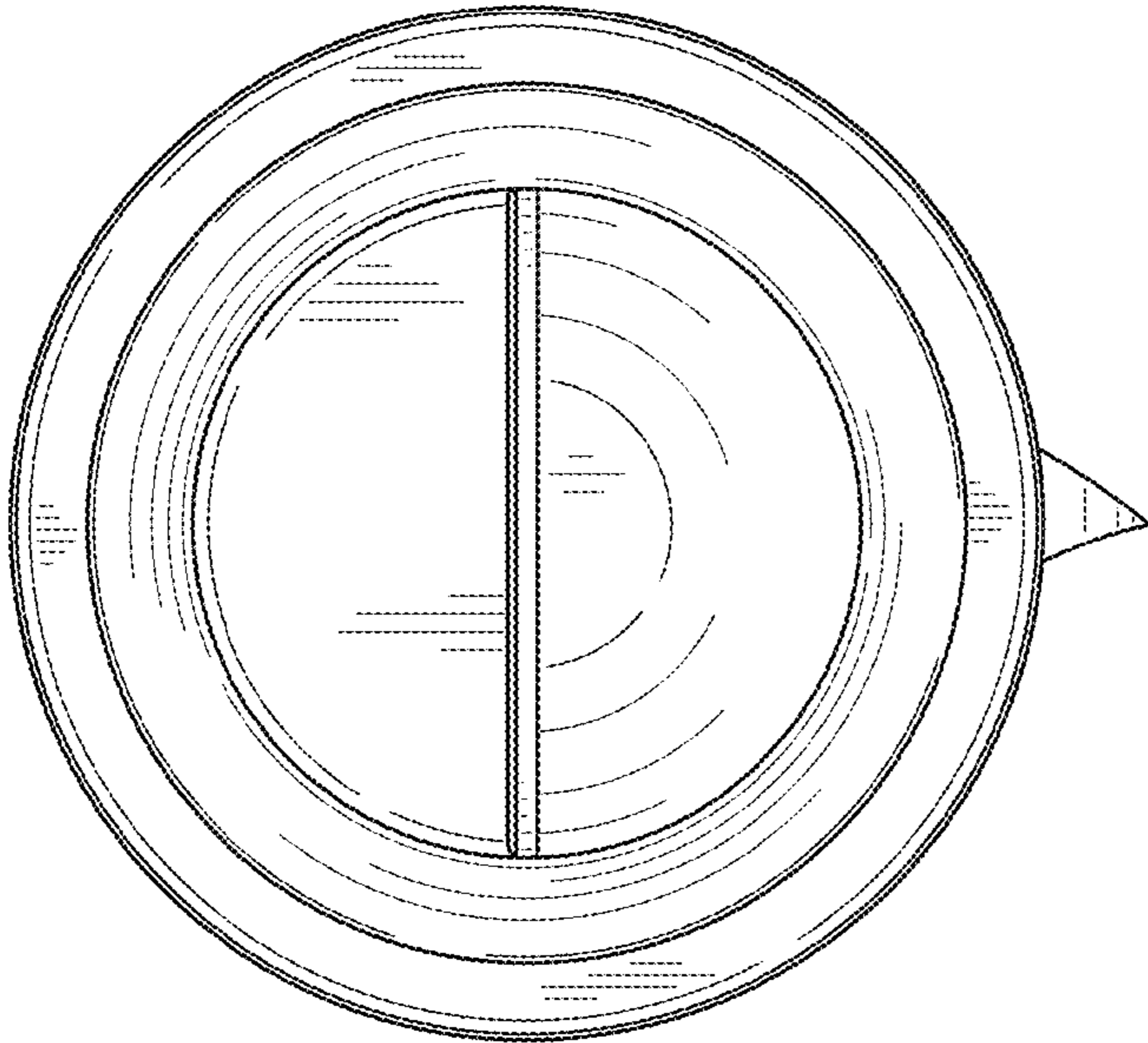


FIG. 10

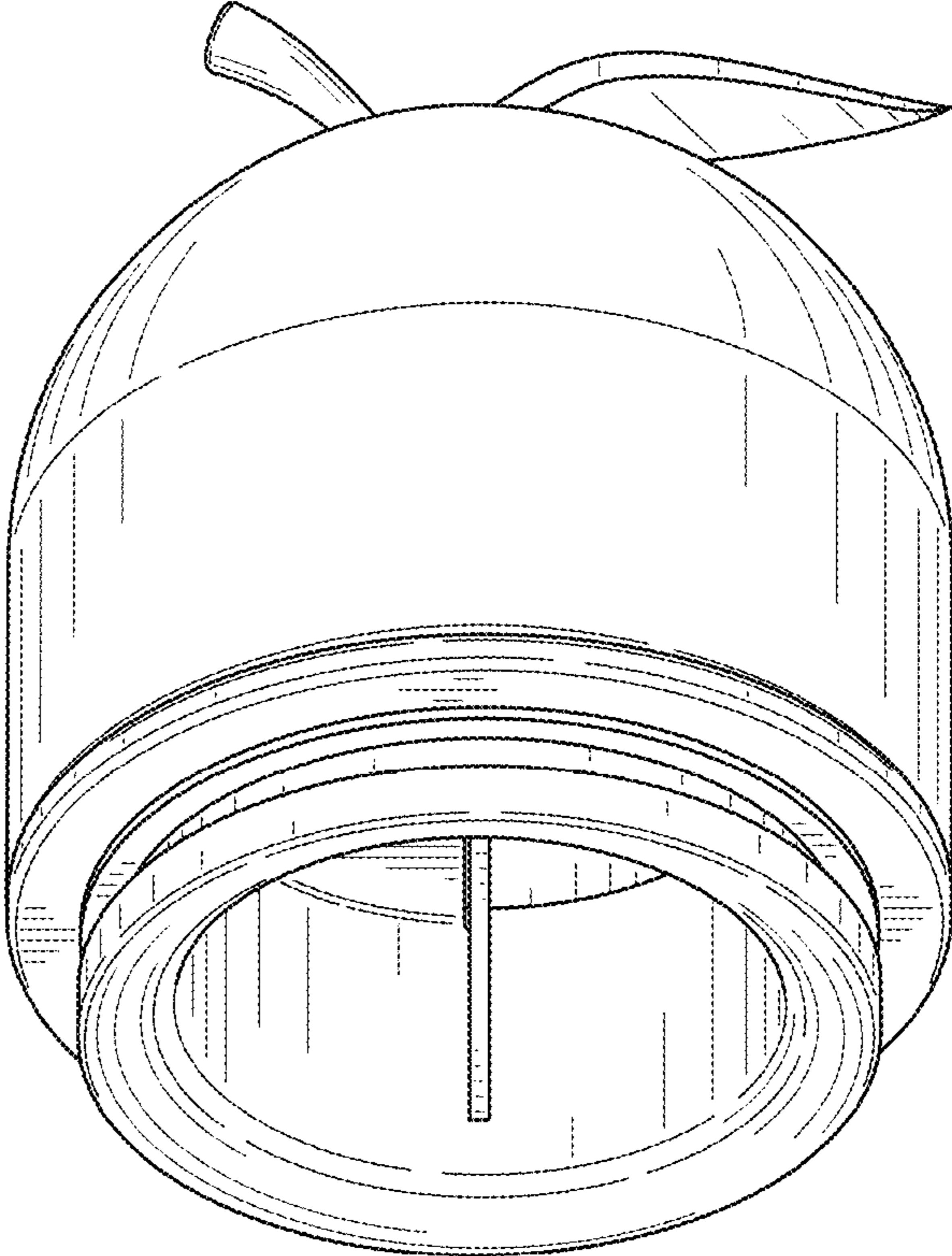


FIG. 11

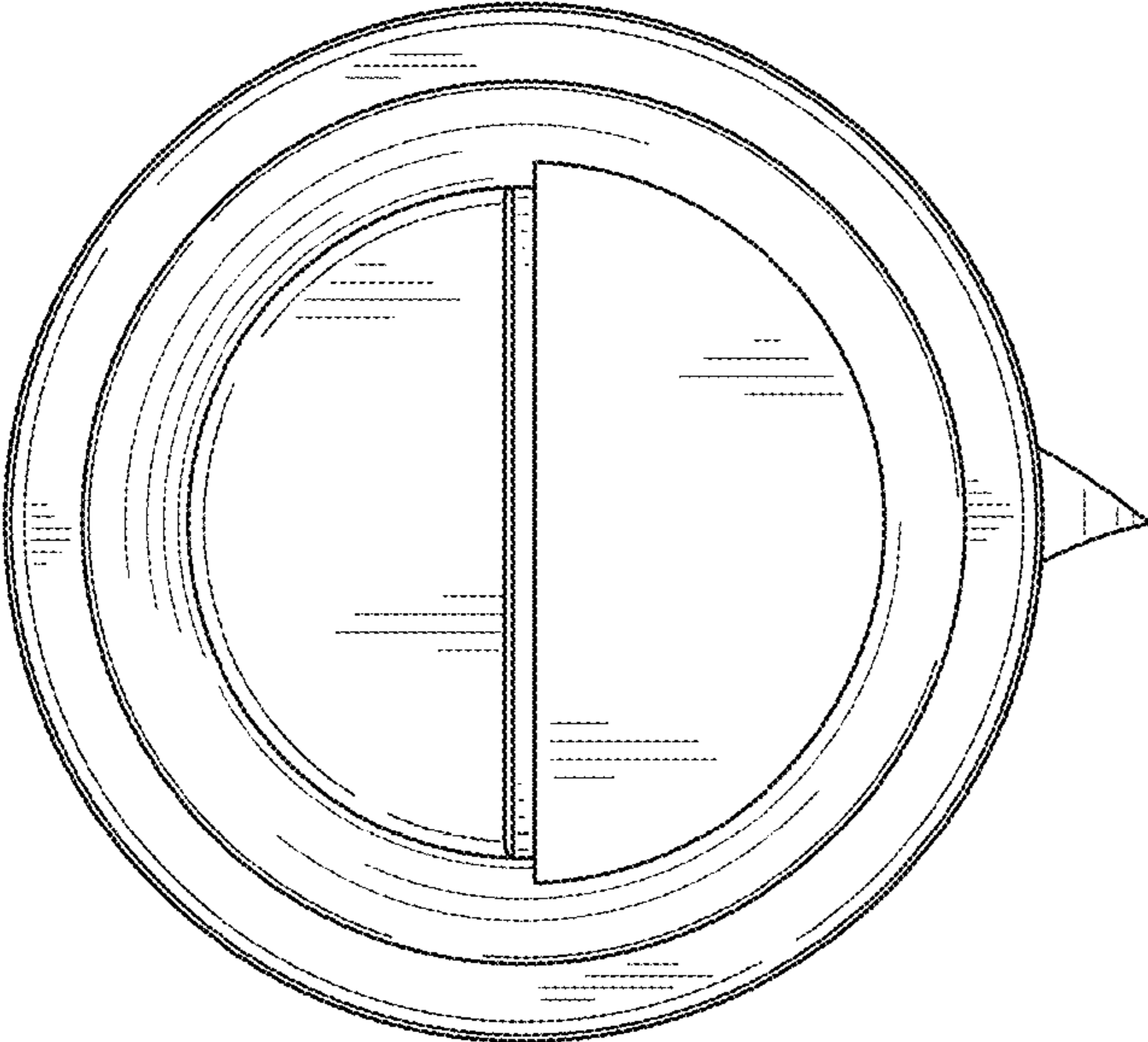


FIG. 12

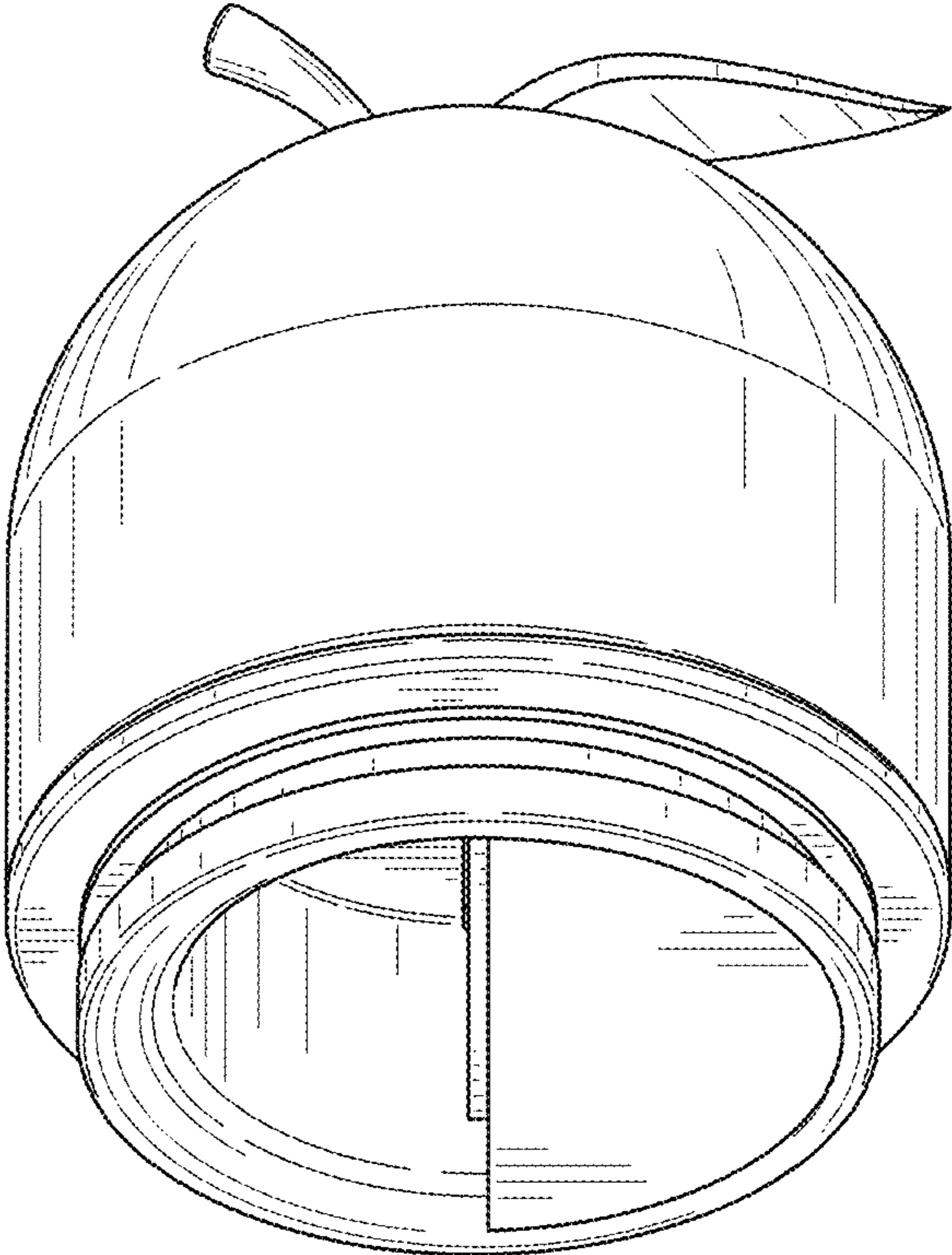


FIG. 13

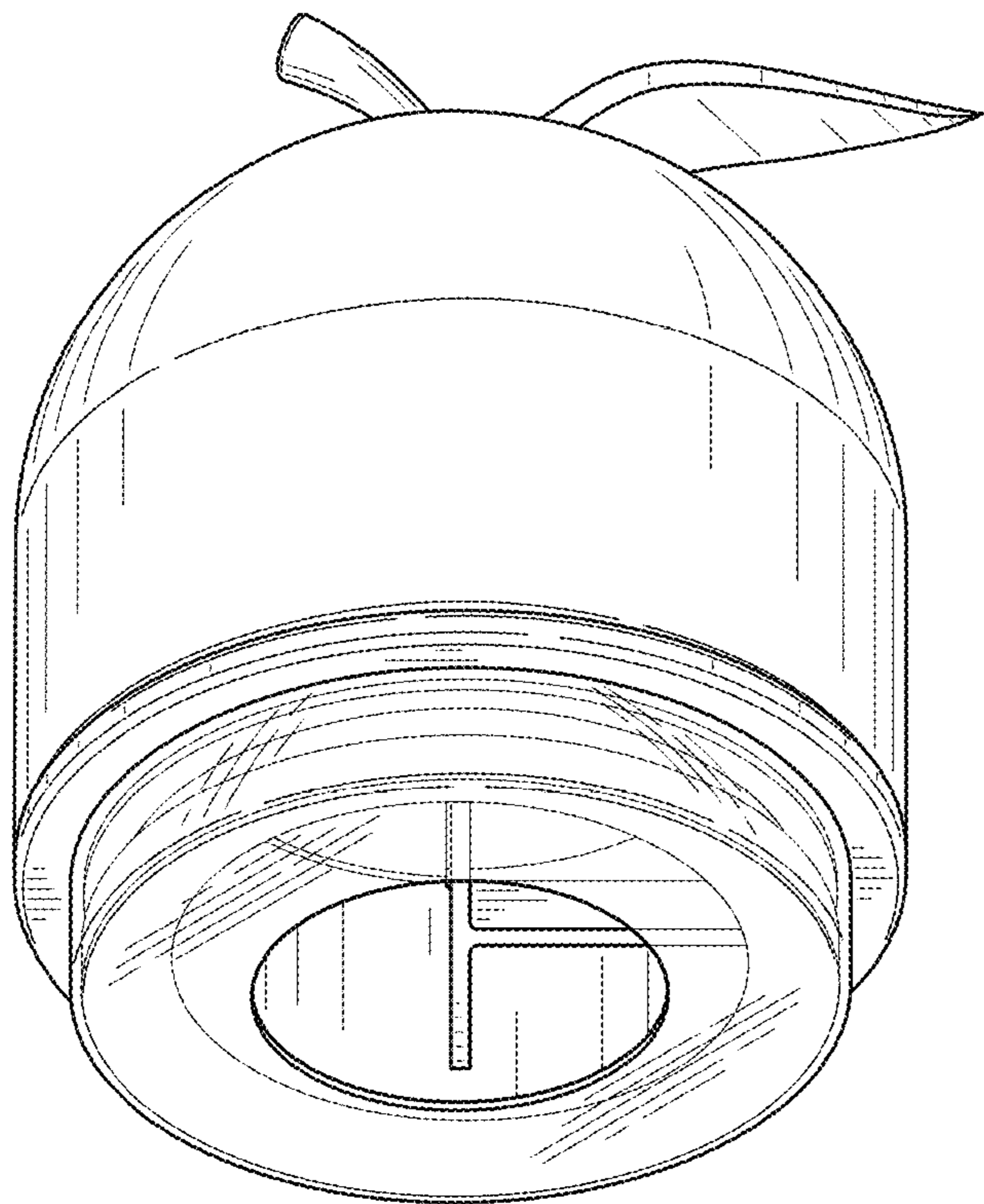


FIG. 14

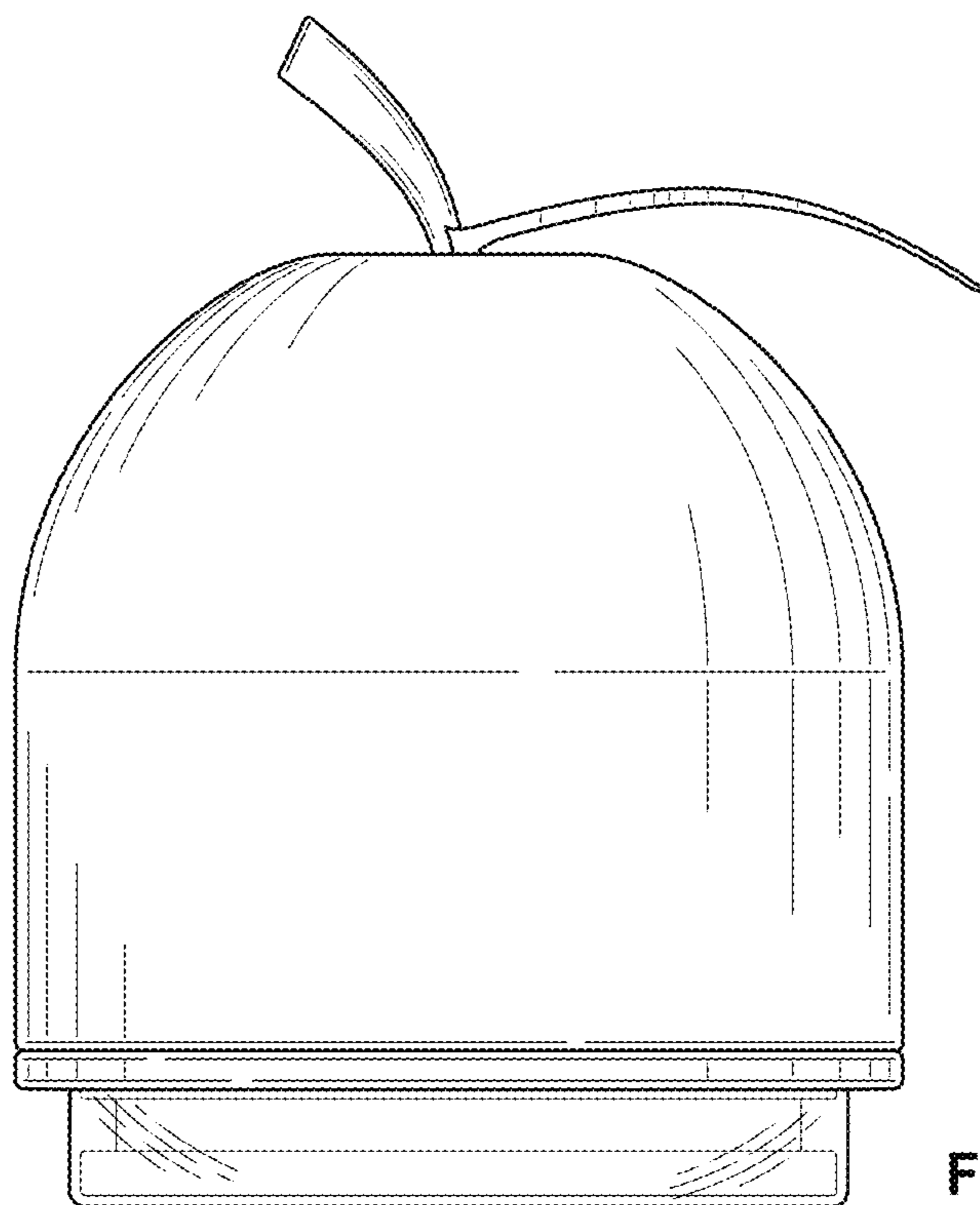


FIG. 15

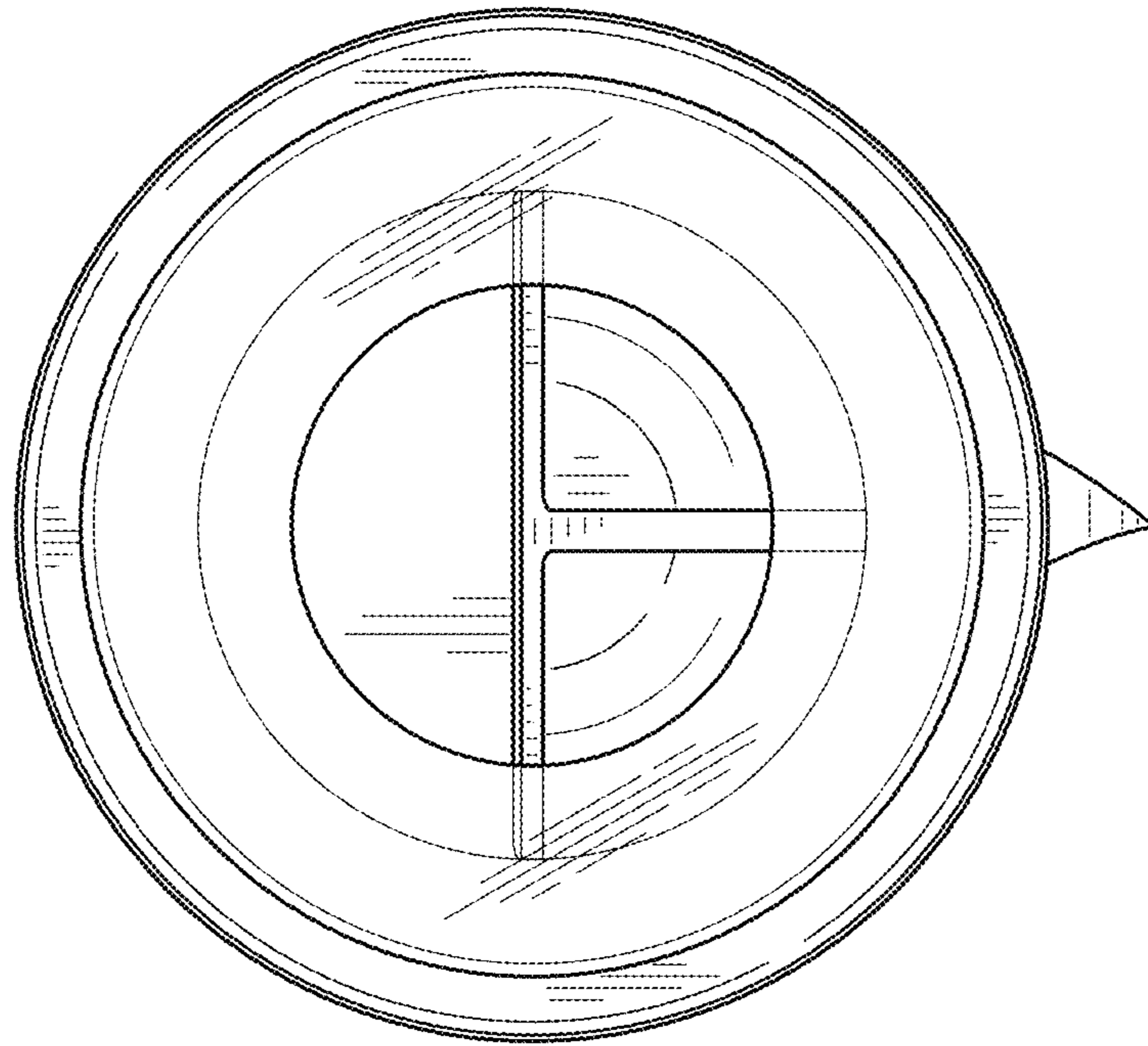


FIG. 16

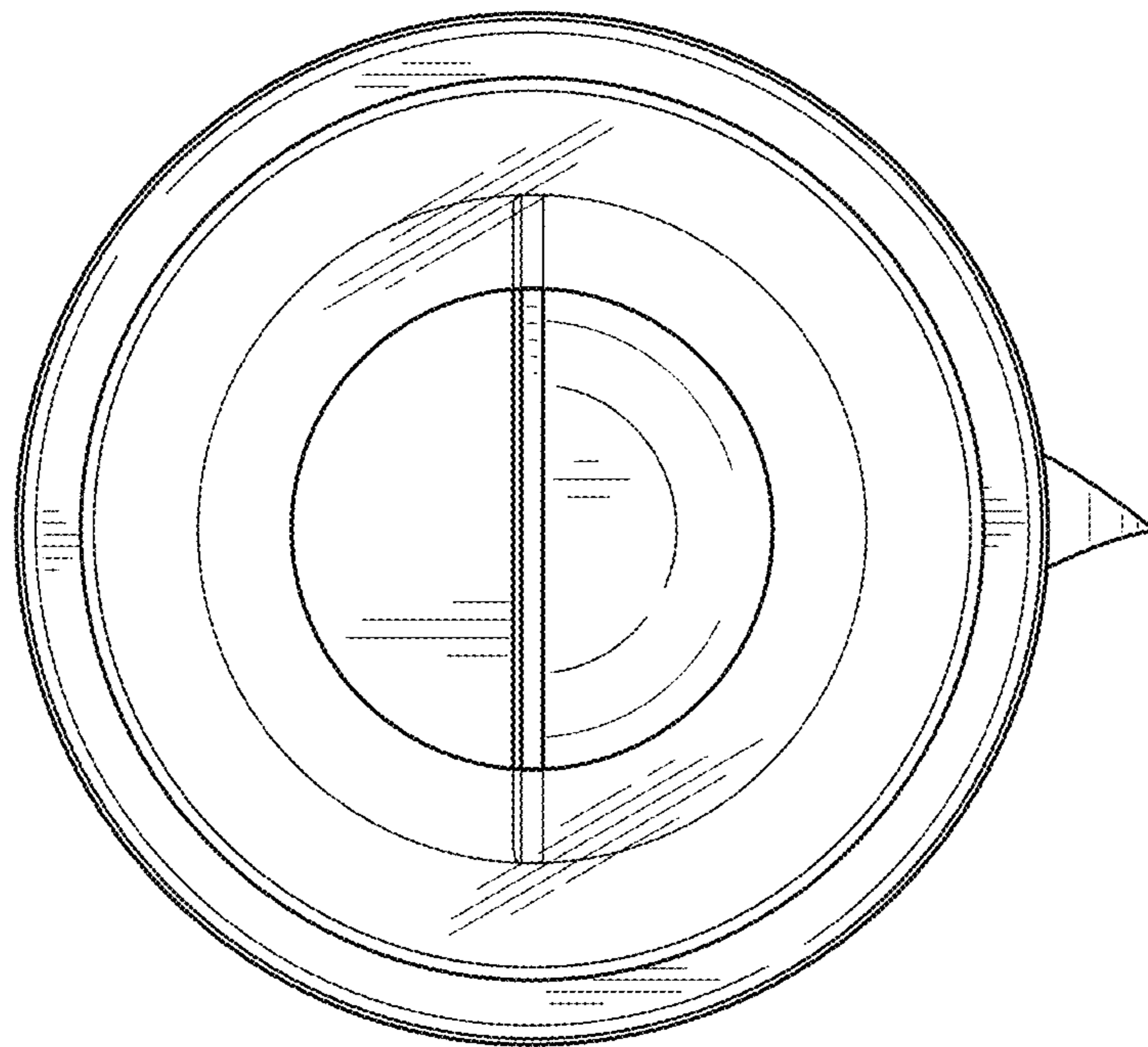


FIG. 17

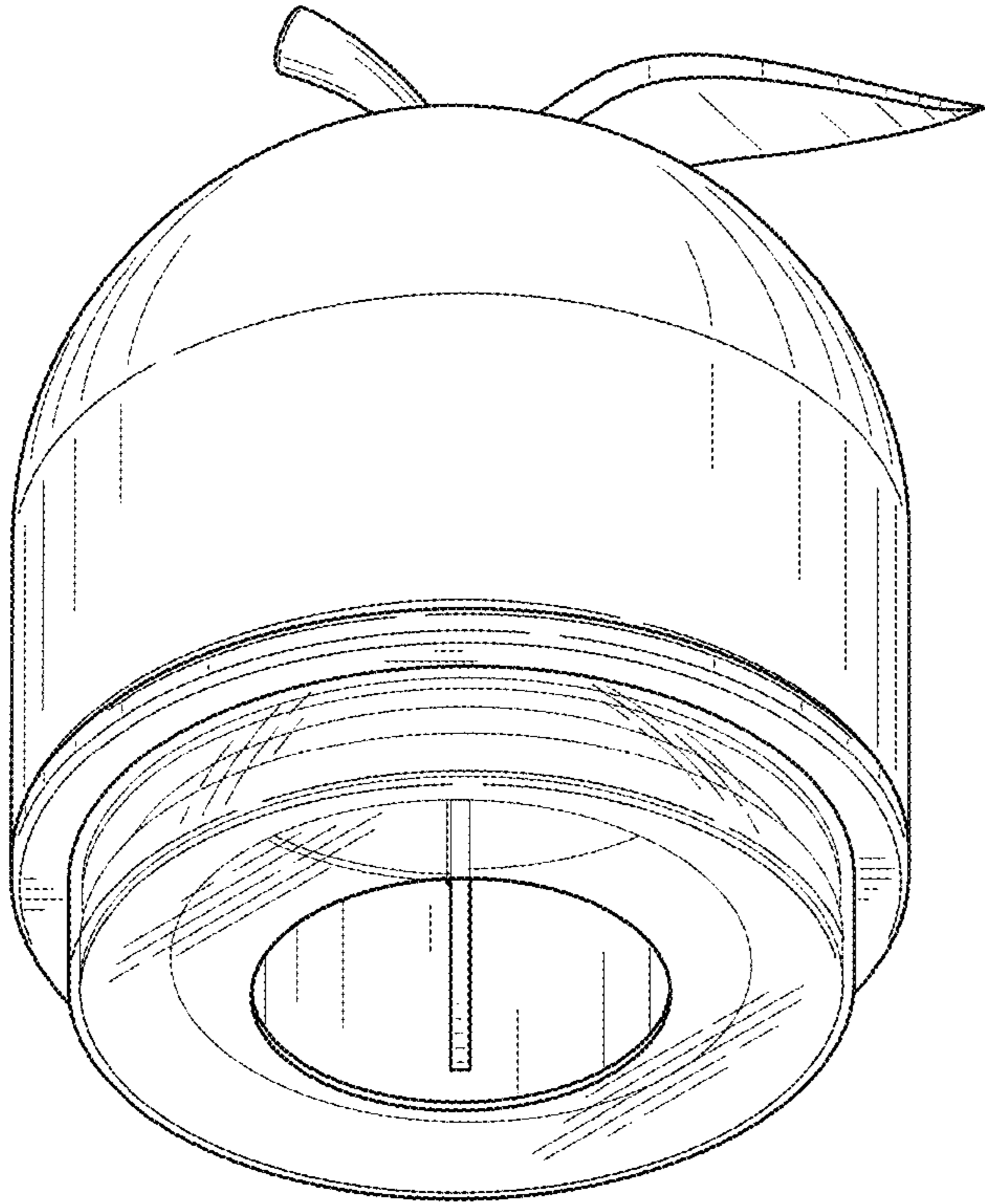


FIG. 18

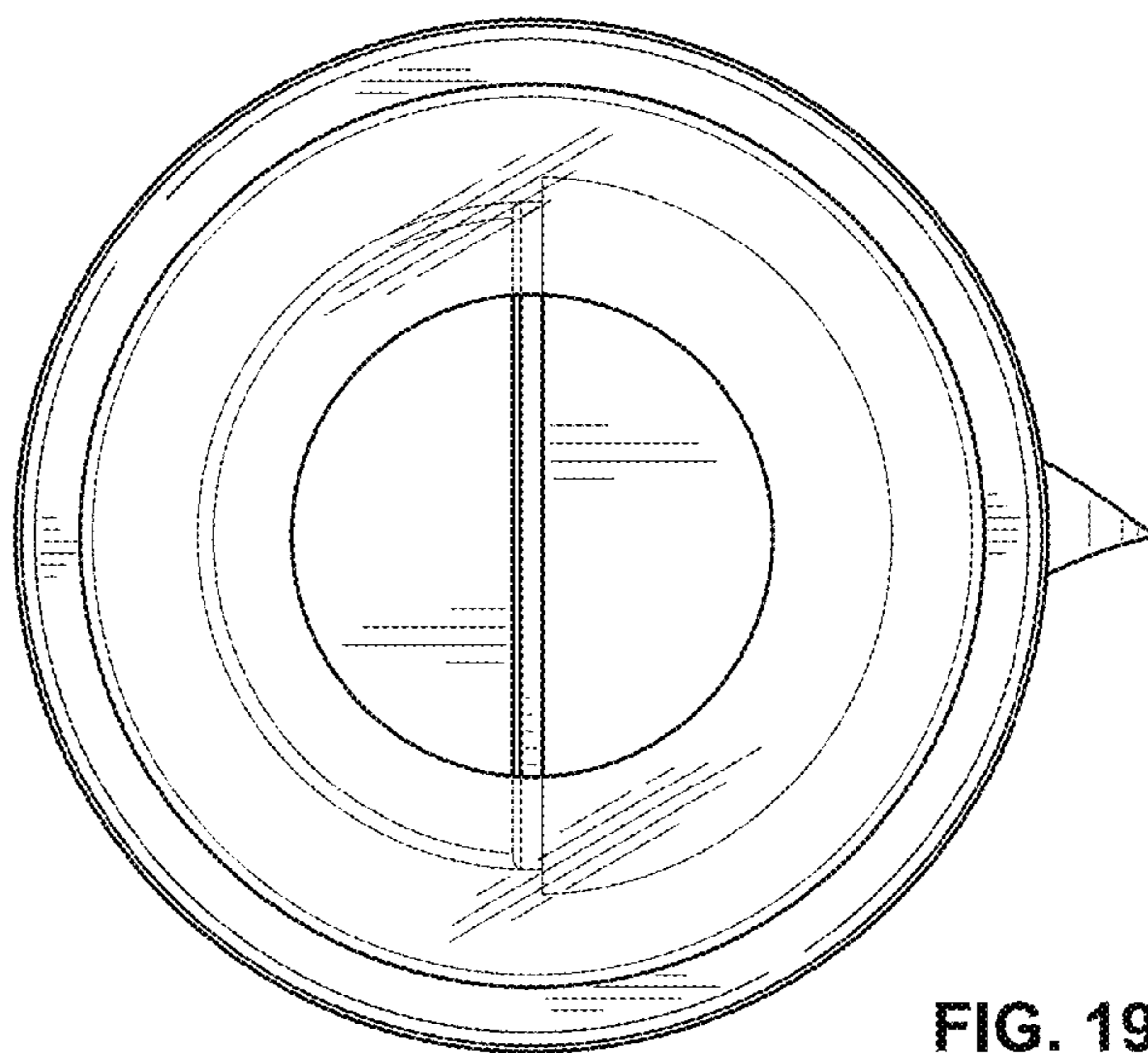


FIG. 19

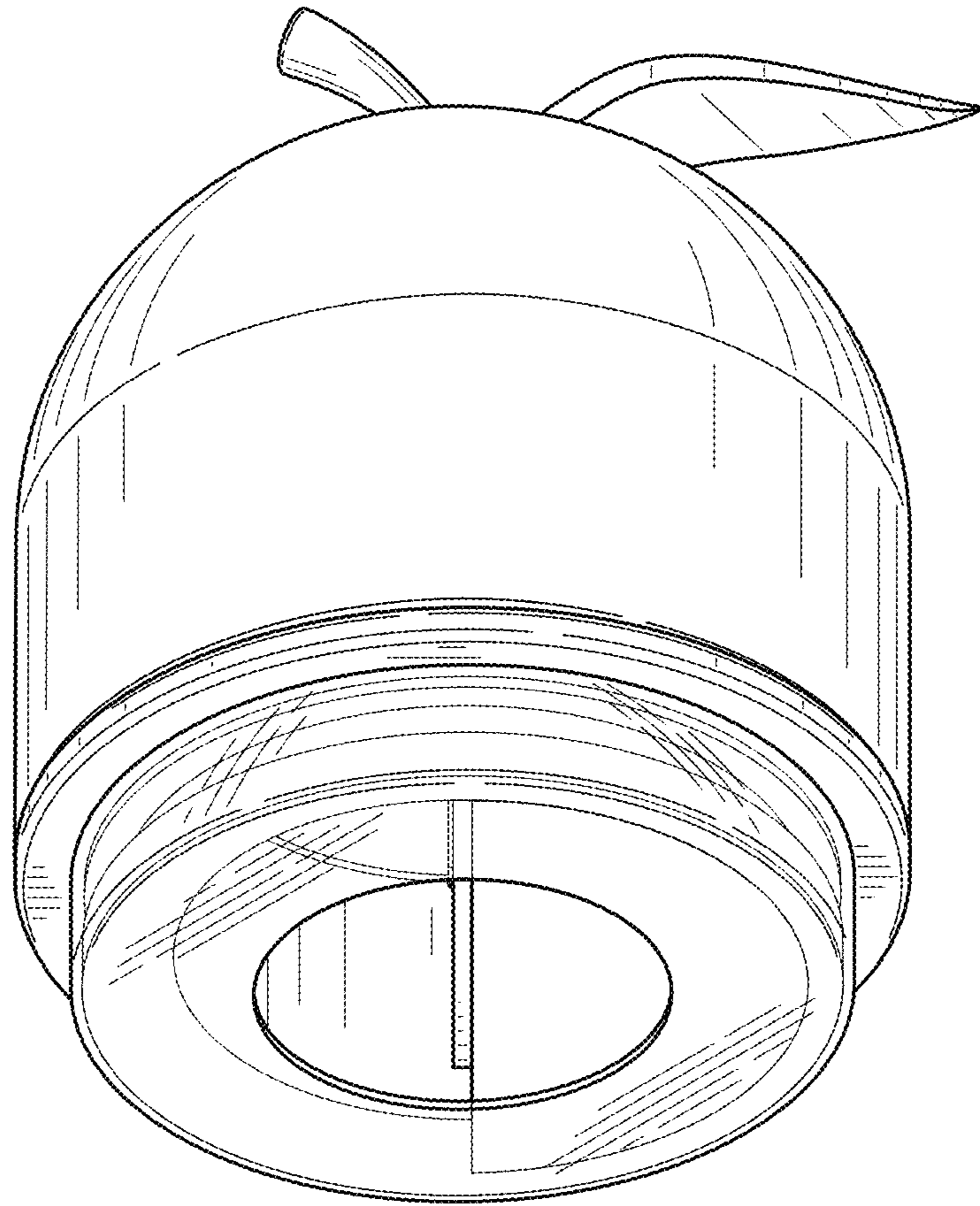


FIG. 20