



US00D768298S

(12) **United States Design Patent**  
**Tapocik**

(10) **Patent No.:** **US D768,298 S**

(45) **Date of Patent:** **\*\* \*Oct. 4, 2016**

(54) **STRAIGHT INTERPROXIMAL DENTAL TOOL WITH SANDPAPER ON BOTH SIDES AND SHARP RAZOR BLADE EDGE**

(71) Applicant: **Kerr Corporation**, Orange, CA (US)

(72) Inventor: **Bryan Tapocik**, Highland, CA (US)

(73) Assignee: **Kerr Corporation**, Orange, CA (US)

(\*) Notice: This patent is subject to a terminal disclaimer.

(\*\*) Term: **15 Years**

(21) Appl. No.: **29/534,941**

(22) Filed: **Aug. 2, 2015**

(51) **LOC (10) Cl.** ..... **24-02**

(52) **U.S. Cl.**  
USPC ..... **D24/152**

(58) **Field of Classification Search**  
USPC ..... D24/152, 147, 176; D8/90; 433/142  
CPC .... A61C 15/00; A61C 15/046; A61C 5/127;  
A61C 3/03; A61C 3/06; A61C 3/12  
See application file for complete search history.

(56) **References Cited**

U.S. PATENT DOCUMENTS

- 2,288,011 A \* 6/1942 Mizzy ..... A61C 3/06  
433/148
- 4,483,676 A \* 11/1984 Thierman ..... A61C 15/00  
433/142
- 5,476,381 A \* 12/1995 Dragan ..... A61C 3/06  
30/169

- 7,455,521 B2 \* 11/2008 Fishburne, Jr. .... A61C 3/03  
132/323
- D600,810 S \* 9/2009 Khouri ..... D24/152
- D609,341 S \* 2/2010 Khouri ..... D24/152
- D638,127 S \* 5/2011 Khouri ..... D24/152
- 8,419,427 B2 \* 4/2013 Effenberger ..... A61C 15/00  
433/136
- 8,506,295 B2 \* 8/2013 Rek ..... A61C 3/03  
433/166
- D751,708 S \* 3/2016 Tapocik ..... D24/152
- 9,277,975 B1 \* 3/2016 Tapocik ..... A61C 15/00
- 2006/0127845 A1 \* 6/2006 Khouri ..... A61C 15/046  
433/142

\* cited by examiner

Primary Examiner — Wan Laymon

(74) *Attorney, Agent, or Firm* — Wood, Herron & Evans, LLP

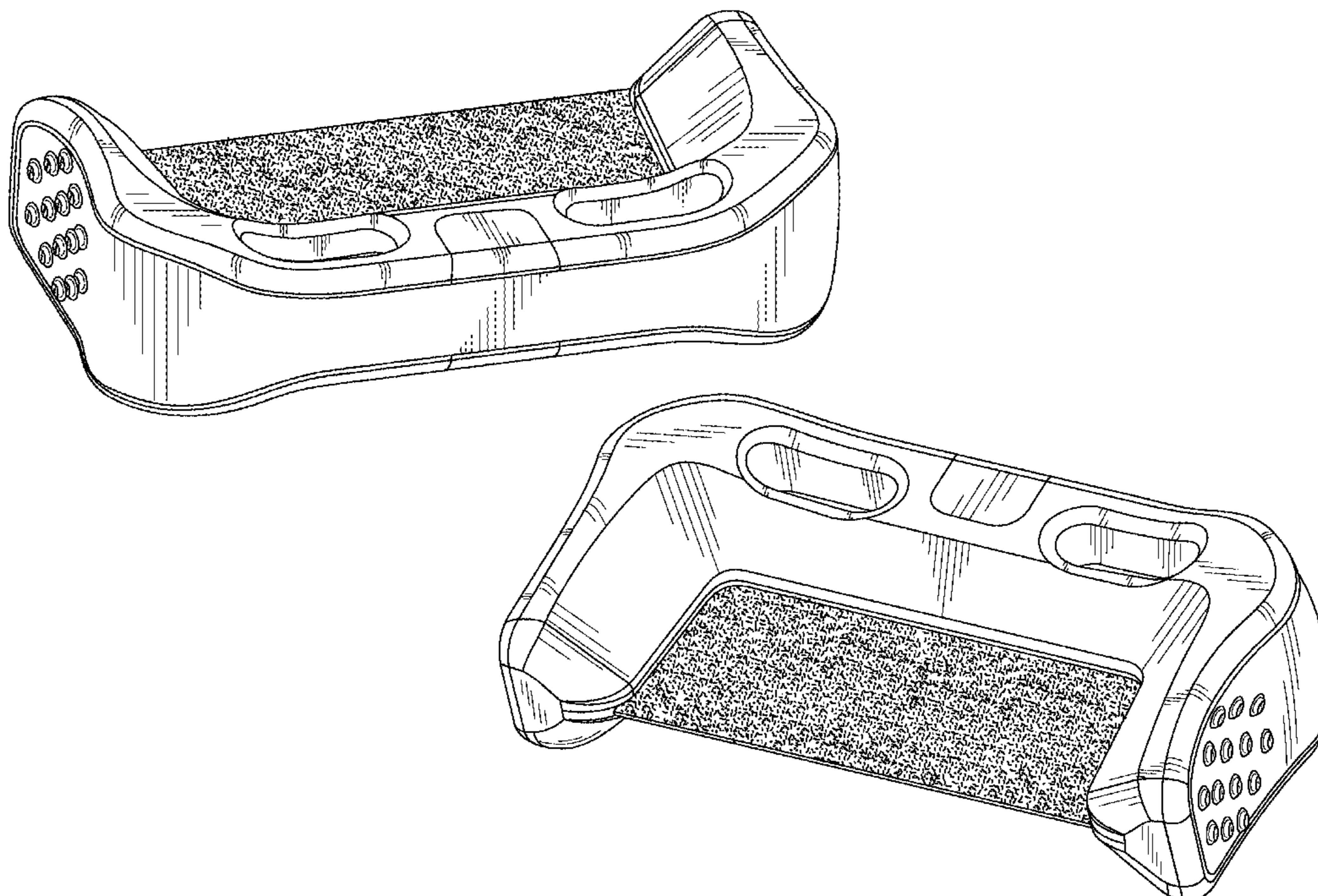
(57) **CLAIM**

The ornamental design for a straight interproximal dental tool with sandpaper on both sides and sharp razor blade edge, as shown and described.

**DESCRIPTION**

FIG. 1 is a top, front, right side perspective view of the straight interproximal dental tool with sandpaper on both sides and sharp razor blade edge, showing my new design; FIG. 2 is a bottom, rear, left side perspective view thereof; FIG. 3 is a front elevational view thereof; FIG. 4 is a rear elevational view thereof; FIG. 5 is a right side view thereof; FIG. 6 is a left side view thereof; FIG. 7 is a top view thereof; and, FIG. 8 is a bottom view thereof.

**1 Claim, 5 Drawing Sheets**



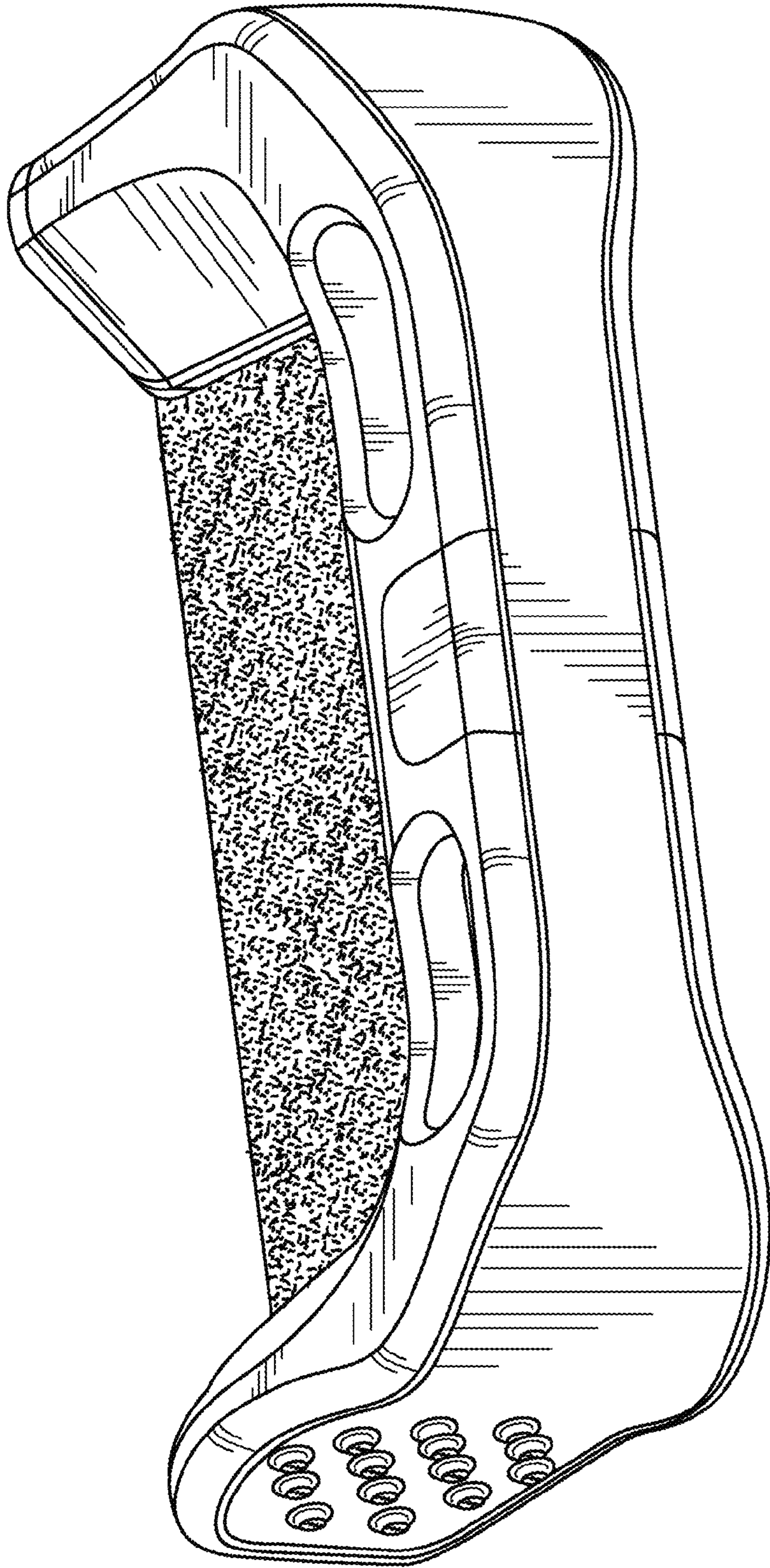


FIG. 1

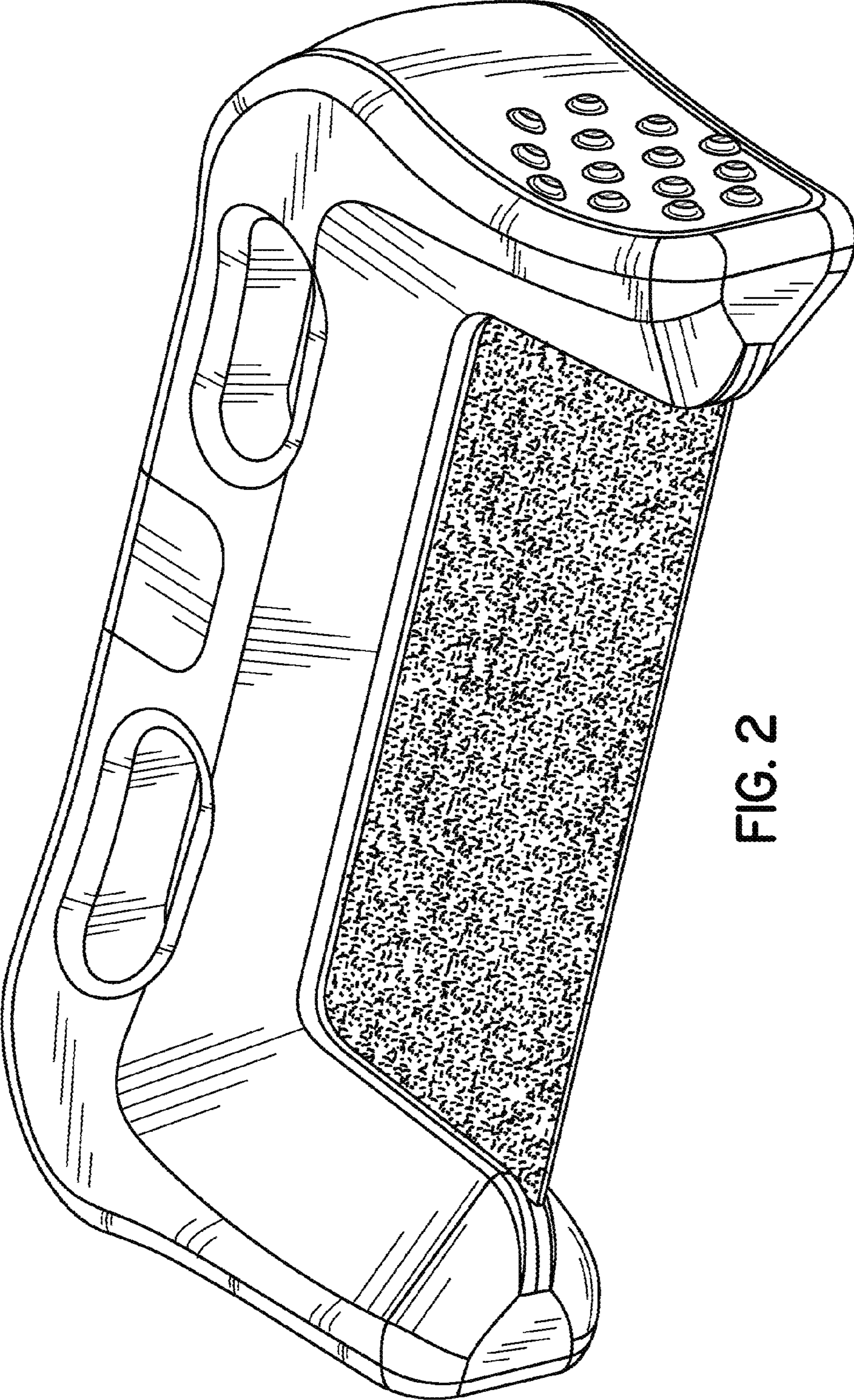


FIG. 2

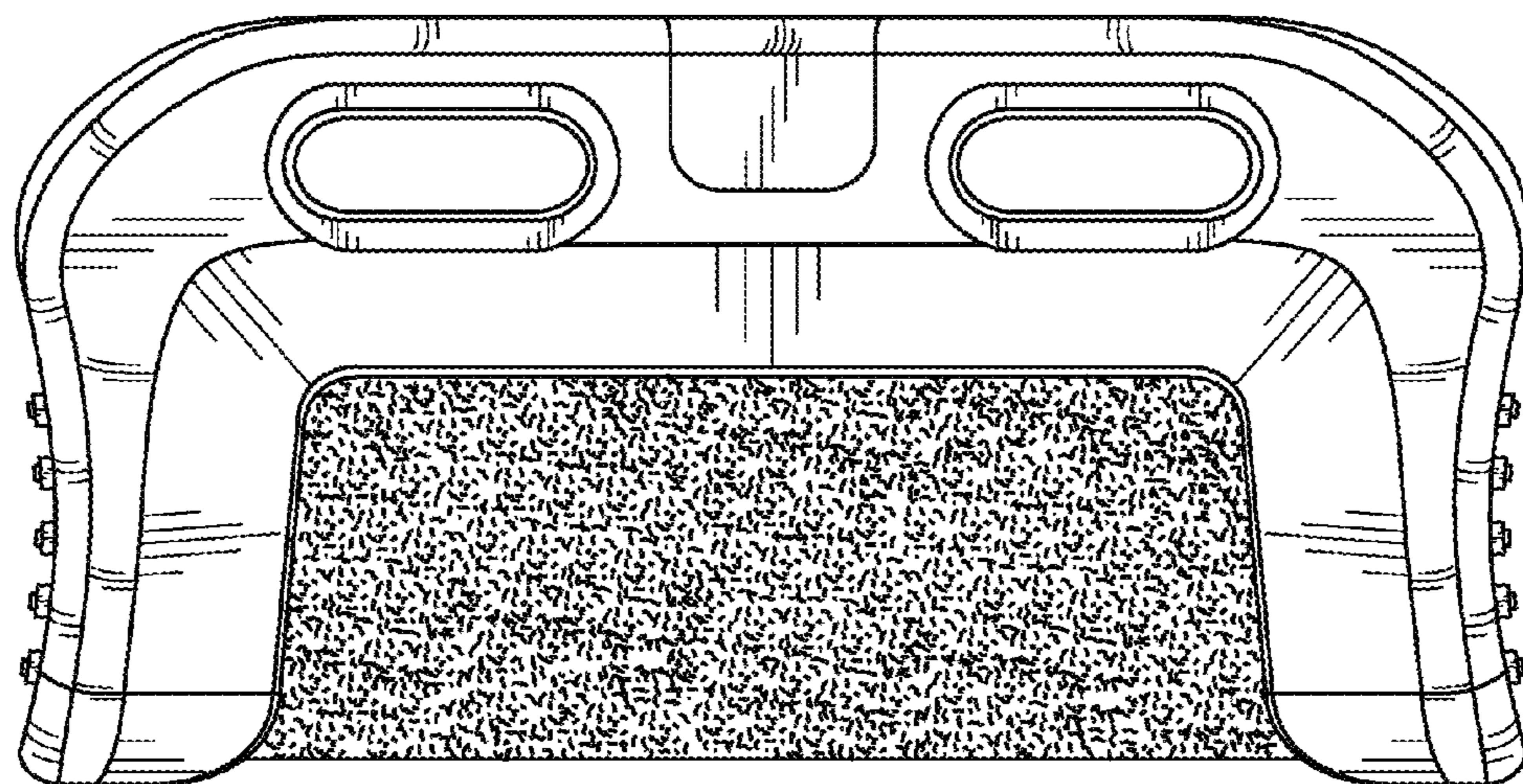


FIG. 3

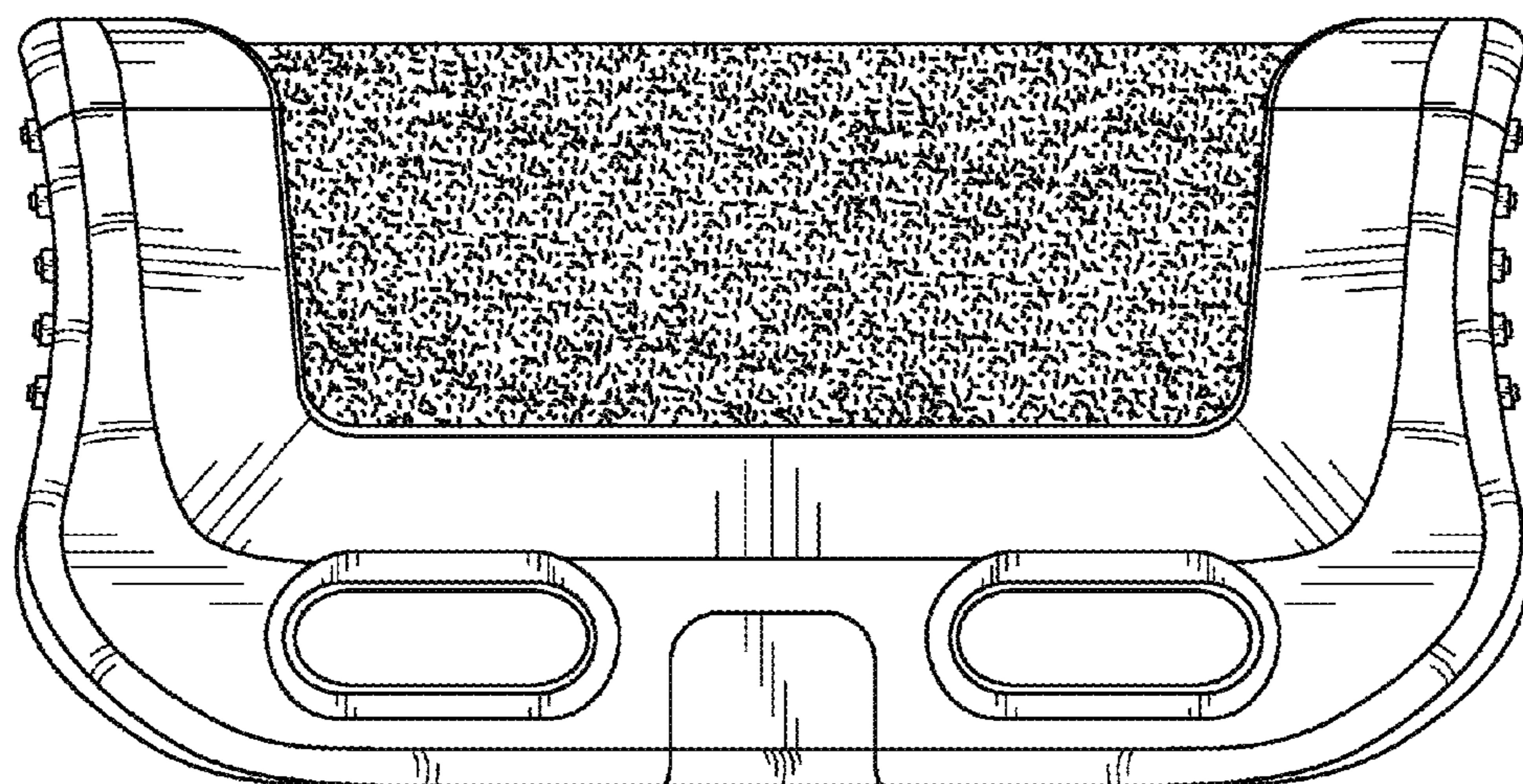


FIG. 4

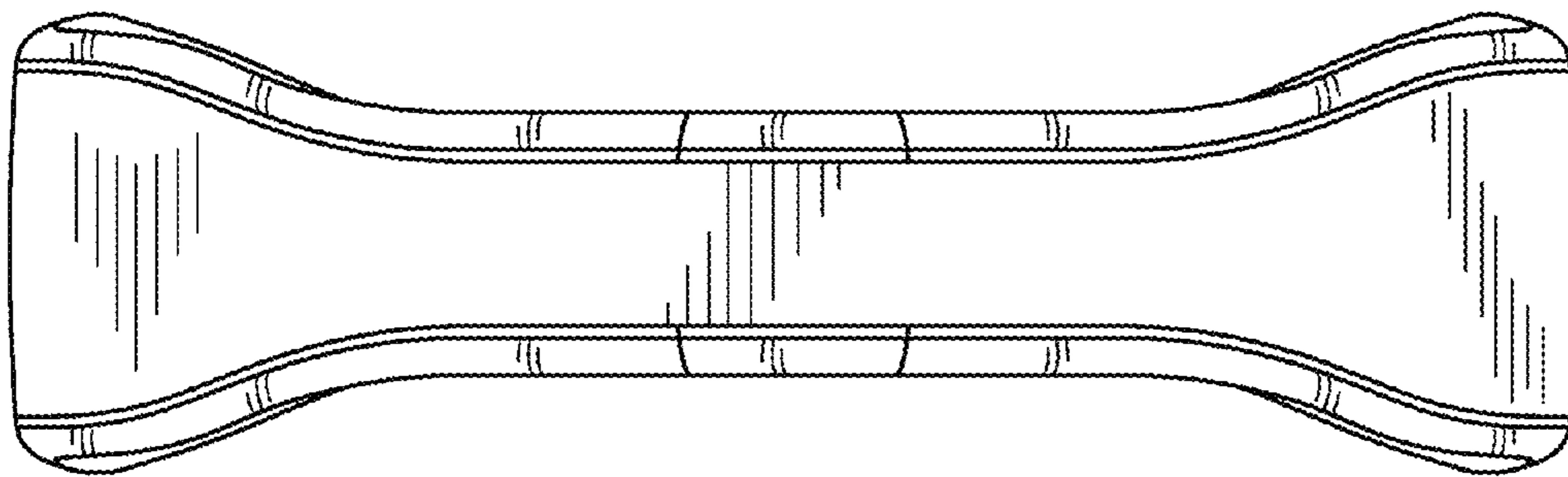


FIG. 5

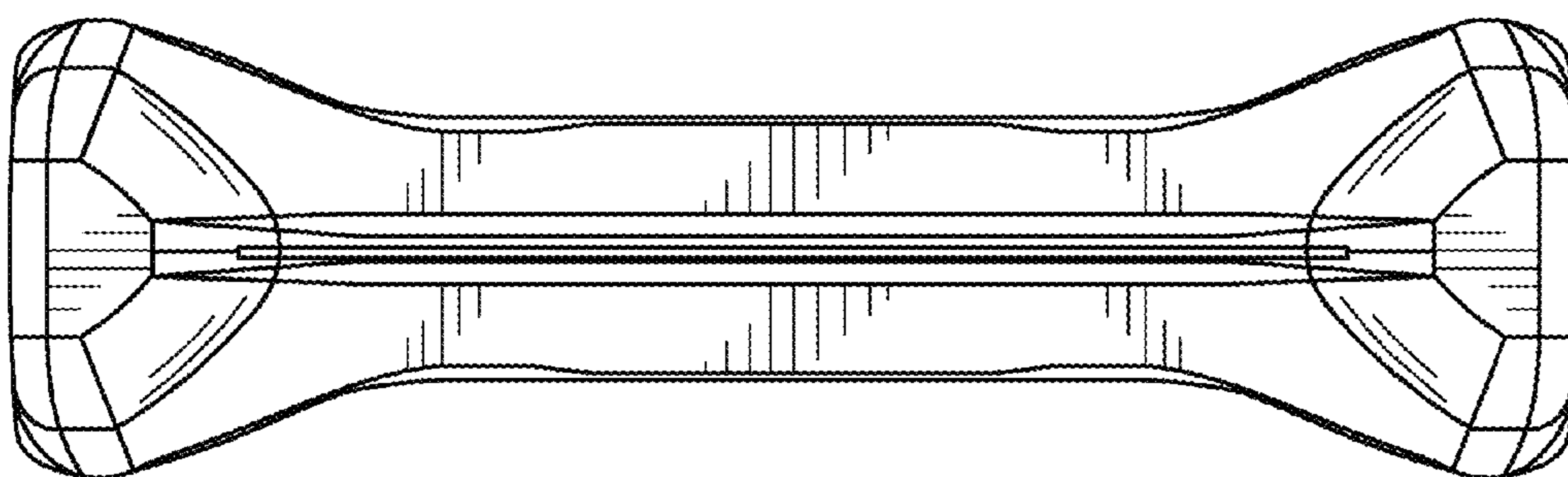


FIG. 6

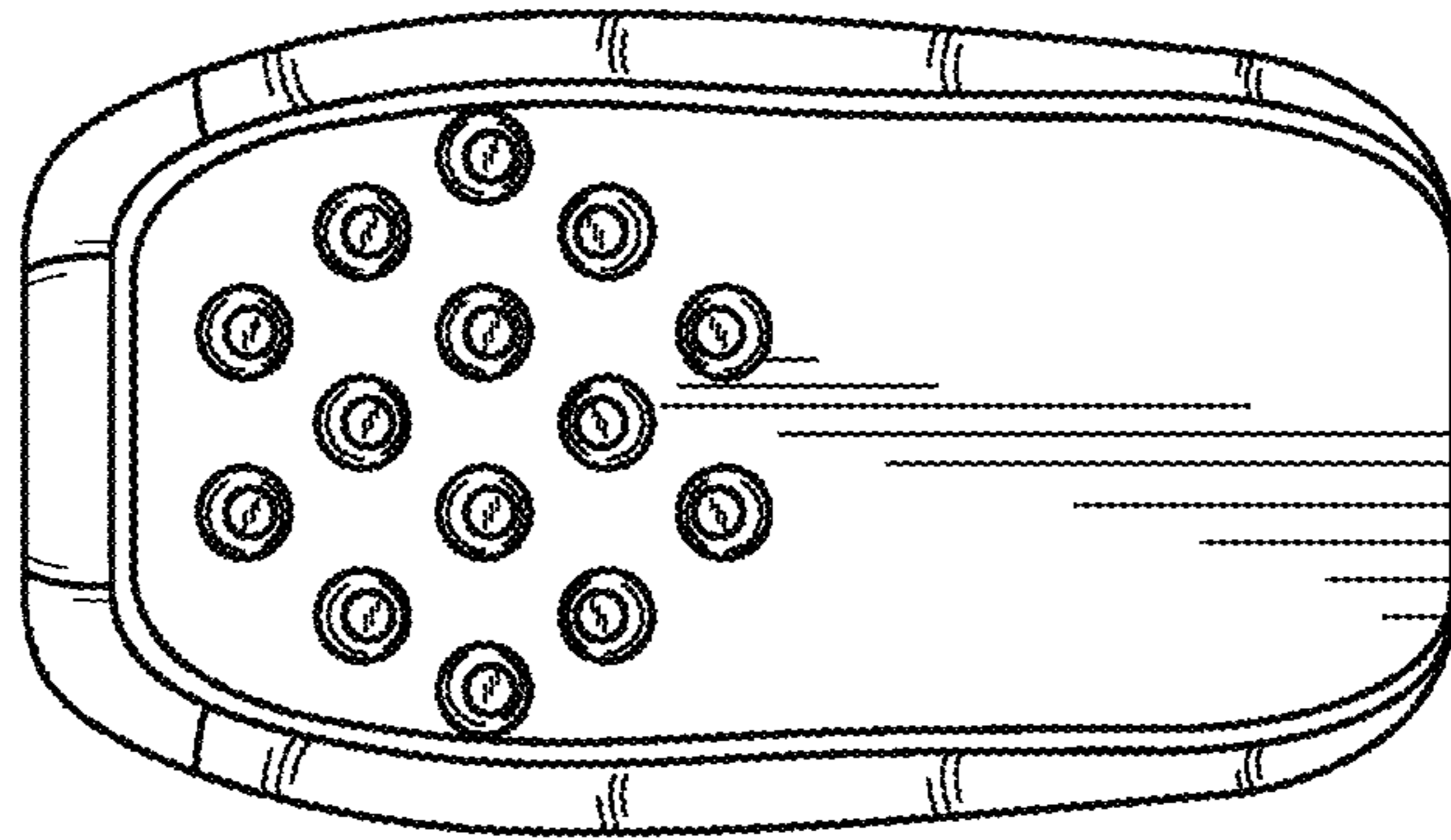


FIG. 7

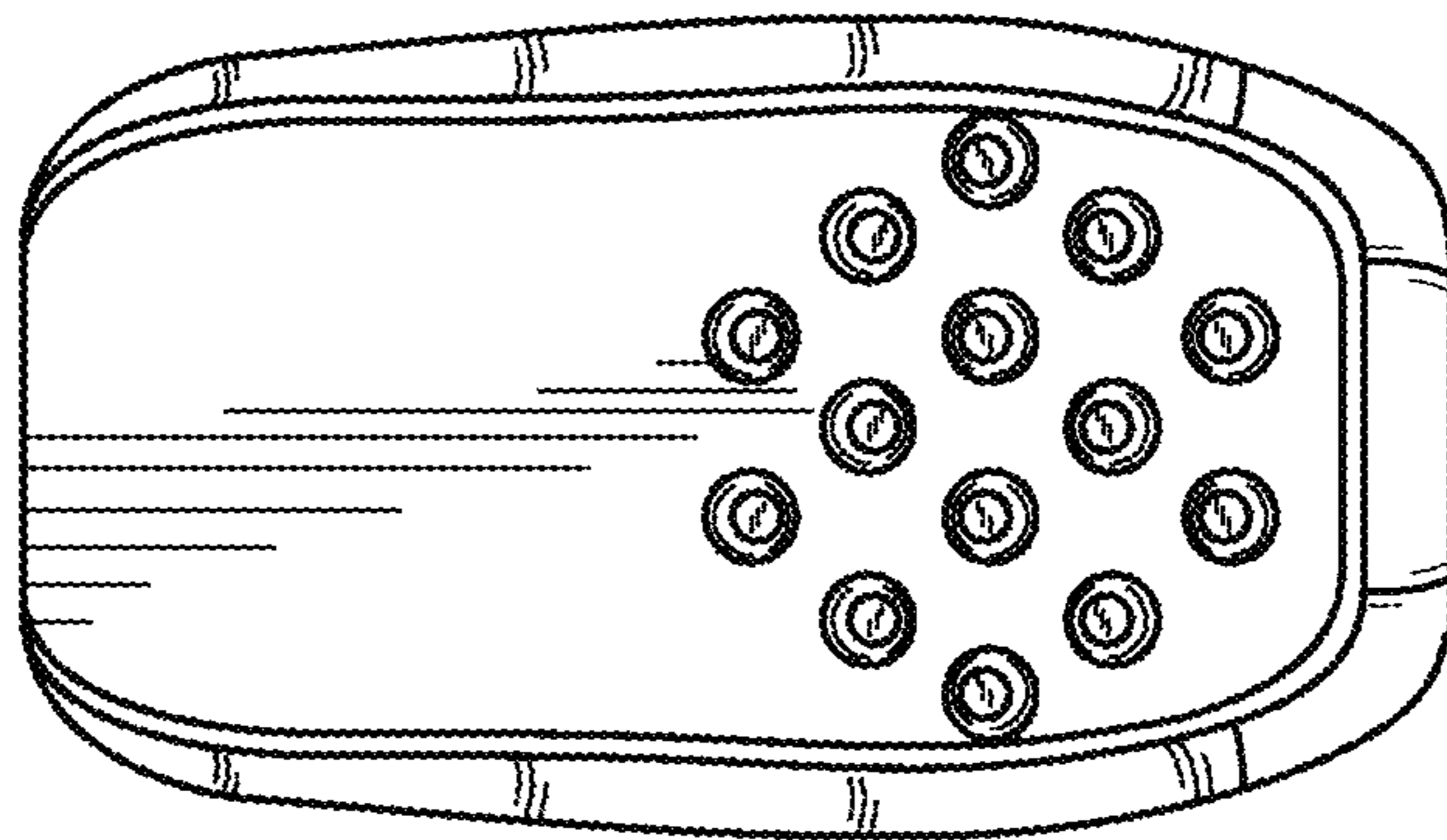


FIG. 8