



US00D768297S

(12) **United States Design Patent** (10) **Patent No.:** **US D768,297 S**  
**Nering et al.** (45) **Date of Patent:** **\*\* Oct. 4, 2016**

(54) **MULTI-BARBED ANCHOR** 7,867,252 B2 1/2011 Criscuolo et al.  
8,114,099 B2 2/2012 Shipp  
(71) Applicant: **Ethicon, Inc.**, Somerville, NJ (US) 8,292,154 B2 10/2012 Marczyk  
8,518,055 B1 \* 8/2013 Cardinale ..... A61B 17/0682  
606/139  
(72) Inventors: **Robert Nering**, Stockton, NJ (US); 8,579,920 B2 11/2013 Nering et al.  
**Glenn Cook**, Clinton, NJ (US); **James** 8,585,721 B2 11/2013 Kirsch  
**A. Flint**, Hillsborough, NJ (US) D698,021 S \* 1/2014 Nering ..... D24/145  
8,663,244 B2 3/2014 Reeser  
D744,646 S \* 12/2015 Nering ..... D24/145  
(73) Assignee: **Ethicon, Inc.**, Somerville, NJ (US) 2002/0029064 A1 \* 3/2002 Kanner ..... A61B 17/0057  
606/221  
(\*\*) Term: **14 Years** 2002/0169465 A1 11/2002 Bowman et al.  
2006/0129152 A1 6/2006 Shipp  
(21) Appl. No.: **29/506,057** 2007/0162030 A1 7/2007 Aranyi et al.

(Continued)

(22) Filed: **Oct. 13, 2014**  
(51) **LOC (10) Cl.** ..... **24-02**  
(52) **U.S. Cl.**  
USPC ..... **D24/145**; D8/389  
(58) **Field of Classification Search**  
USPC ..... D8/385, 388, 389, 390; D24/145  
CPC ..... A61B 17/064; A61B 17/08; A61B  
2017/0427; A61B 2017/0464; A61B  
2017/0641; A61B 17/0401; A61B 17/0642;  
A61B 17/0644  
See application file for complete search history.

FOREIGN PATENT DOCUMENTS

WO 2011046982 4/2011  
*Primary Examiner* — Sheryl Lane  
*Assistant Examiner* — Ieisha Price  
(74) *Attorney, Agent, or Firm* — Doherty IP Law Group  
LLC

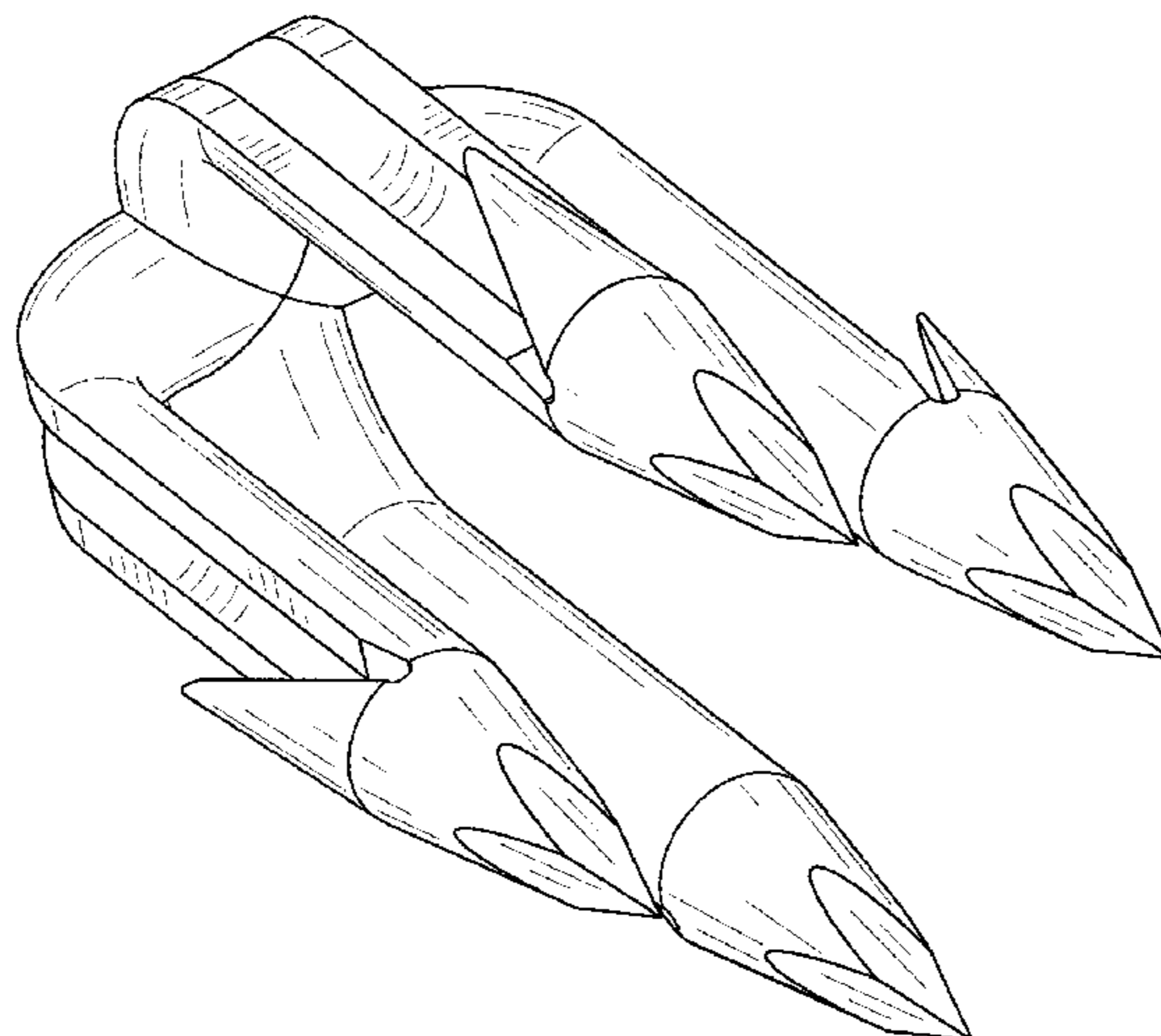
(57) **CLAIM**  
The ornamental design for a multi-barbed anchor, as shown  
and described.

(56) **References Cited**  
U.S. PATENT DOCUMENTS  
D205,375 S \* 7/1966 Marotz ..... D8/389  
4,548,202 A 10/1985 Duncan  
D298,916 S \* 12/1988 Beatty ..... D8/390  
4,932,960 A \* 6/1990 Green ..... A61B 17/0643  
606/220  
5,223,675 A \* 6/1993 Taft ..... H02G 3/26  
174/159  
5,258,012 A \* 11/1993 Luscombe ..... A61B 17/0643  
227/902  
5,314,427 A \* 5/1994 Goble ..... A61B 17/0642  
411/457  
D377,754 S \* 2/1997 Abbott ..... D8/395  
D378,409 S \* 3/1997 Michelson ..... D24/145  
5,830,221 A 11/1998 Stein et al.  
6,447,524 B1 9/2002 Knodel et al.  
7,267,682 B1 \* 9/2007 Bender ..... A61B 17/0644  
606/151

DESCRIPTION

FIG. 1 is a perspective view of a multi-barbed anchor;  
FIG. 2 is a front elevation view of the multi-barbed anchor  
thereof;  
FIG. 3 is a rear elevation view of the multi-barbed anchor  
thereof;  
FIG. 4 is a bottom view of the multi-barbed anchor thereof;  
FIG. 5 is a top plan view of the multi-barbed anchor thereof;  
FIG. 6 is a left side view of the multi-barbed anchor thereof;  
and,  
FIG. 7 is a right side view of the multi-barbed anchor  
thereof.  
The broken lines in the drawings illustrate portions of the  
multi-barbed anchor and form no part of the claimed design.

1 Claim, 3 Drawing Sheets



(56)

**References Cited**

U.S. PATENT DOCUMENTS

2007/0270906	A1*	11/2007	Molz .....	A61B 17/0642	2011/0087277	A1	4/2011	Viola et al.
				606/219	2011/0106113	A1	5/2011	Tavakkolizadeh et al.
2009/0030434	A1*	1/2009	Paz .....	A61B 17/064	2012/0029538	A1	2/2012	Reeser
				606/151	2013/0218177	A1*	8/2013	Mikszta ..... A61B 17/08
2010/0292715	A1*	11/2010	Nering .....	A61B 17/064				606/151
				606/151	2013/0331867	A1	12/2013	Reeser et al.
					2015/0230839	A1*	8/2015	Riccione ..... A61B 17/8014
								606/297

\* cited by examiner

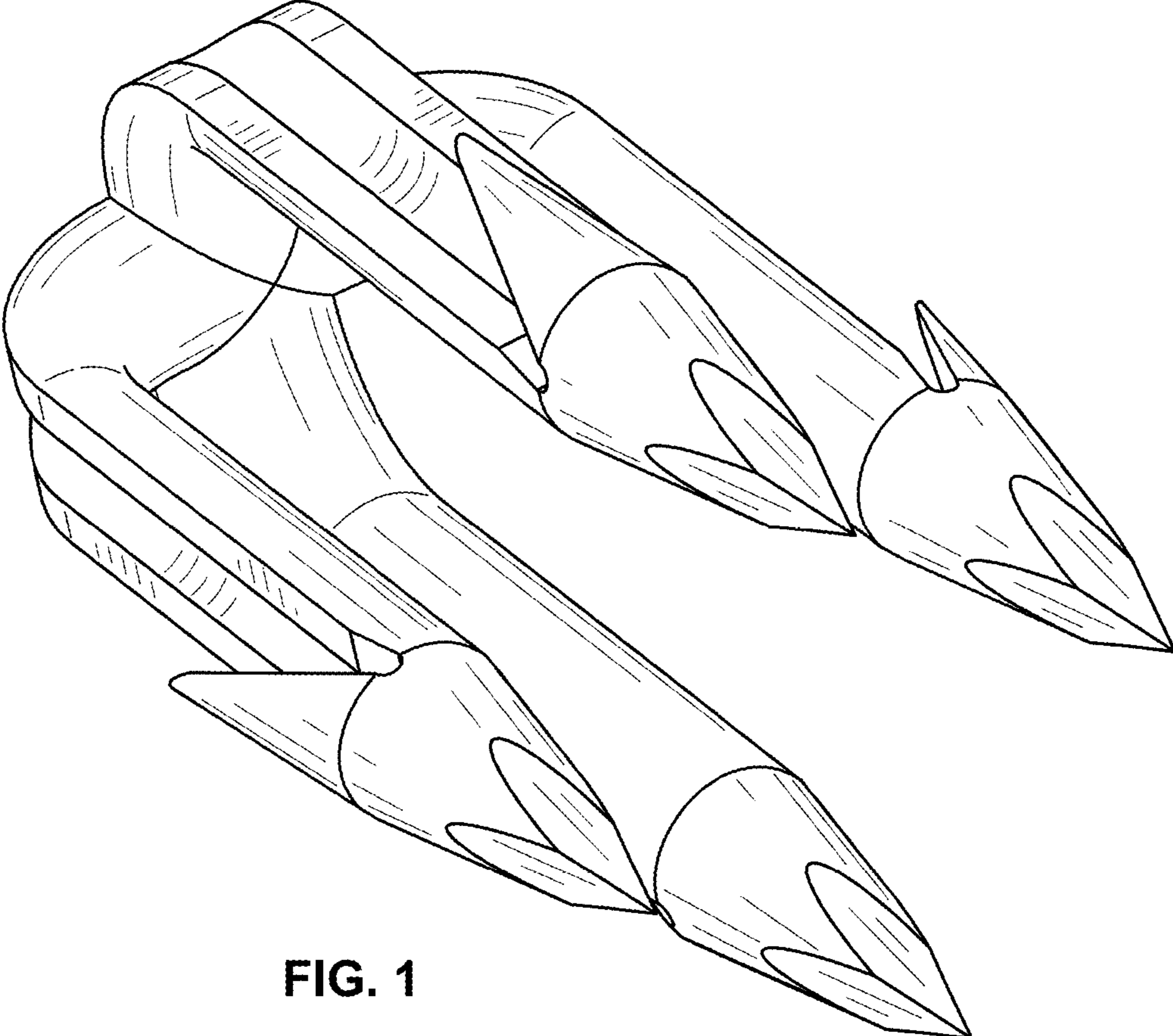


FIG. 1

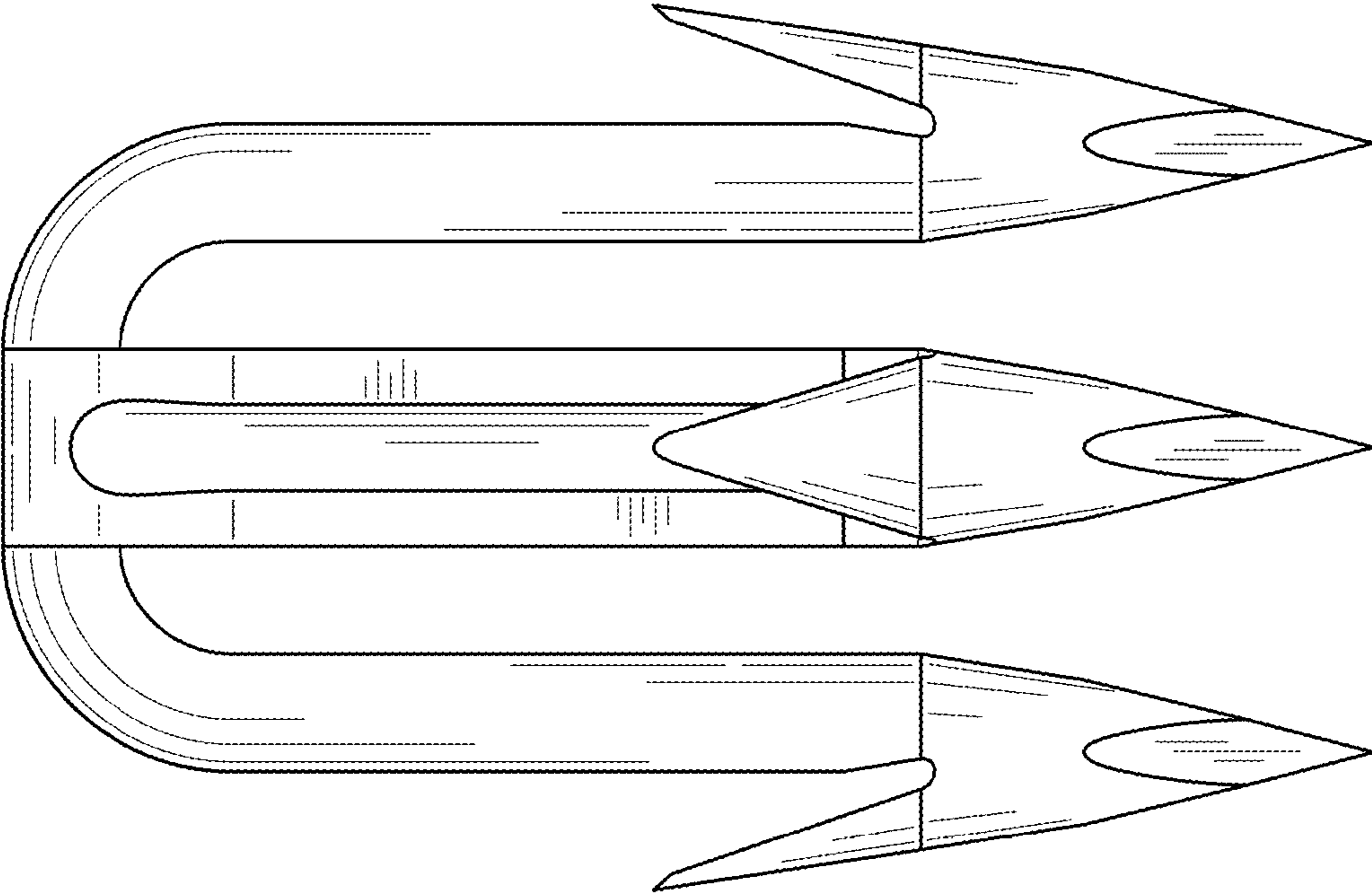


FIG. 2

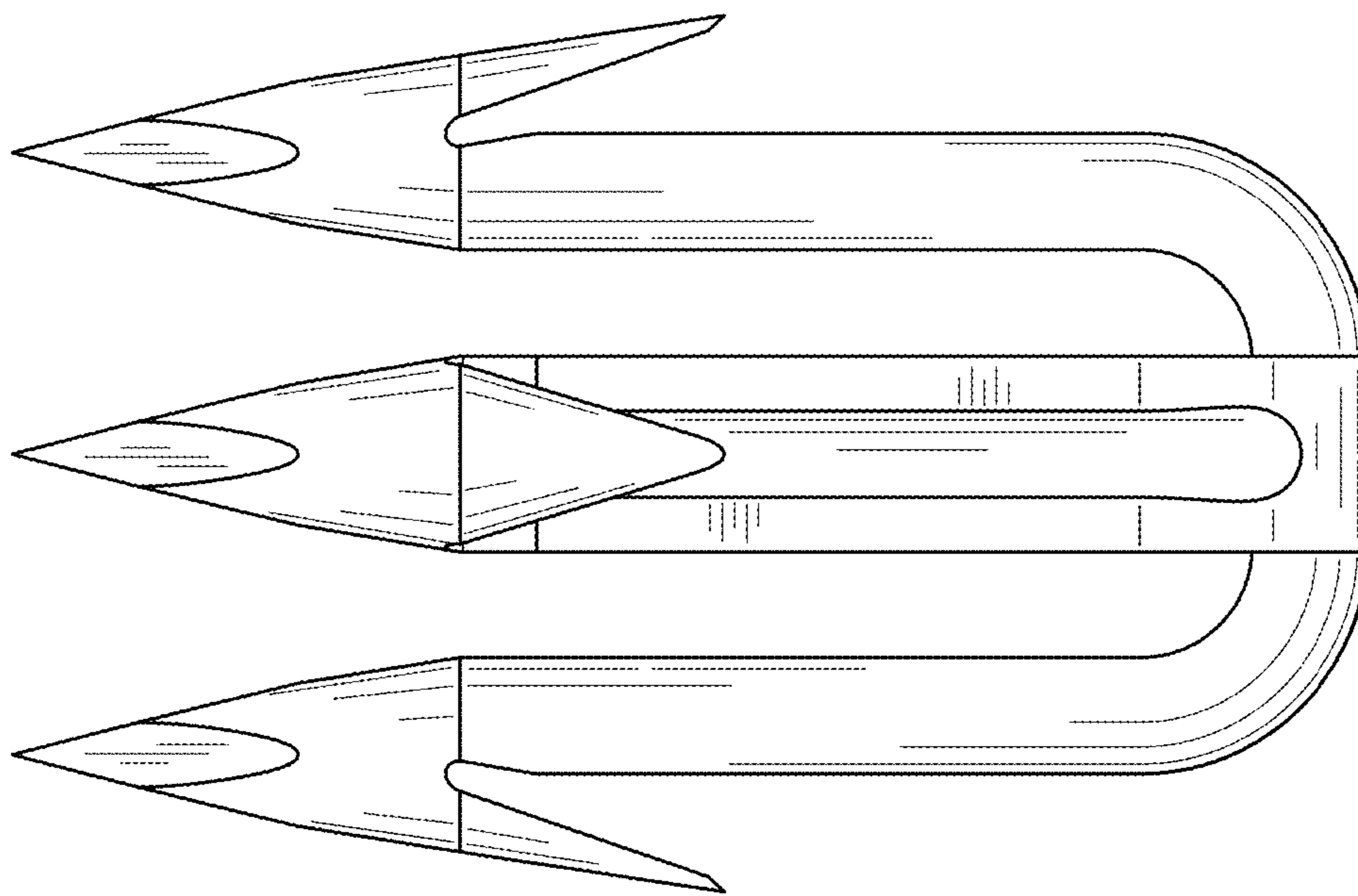


FIG. 3

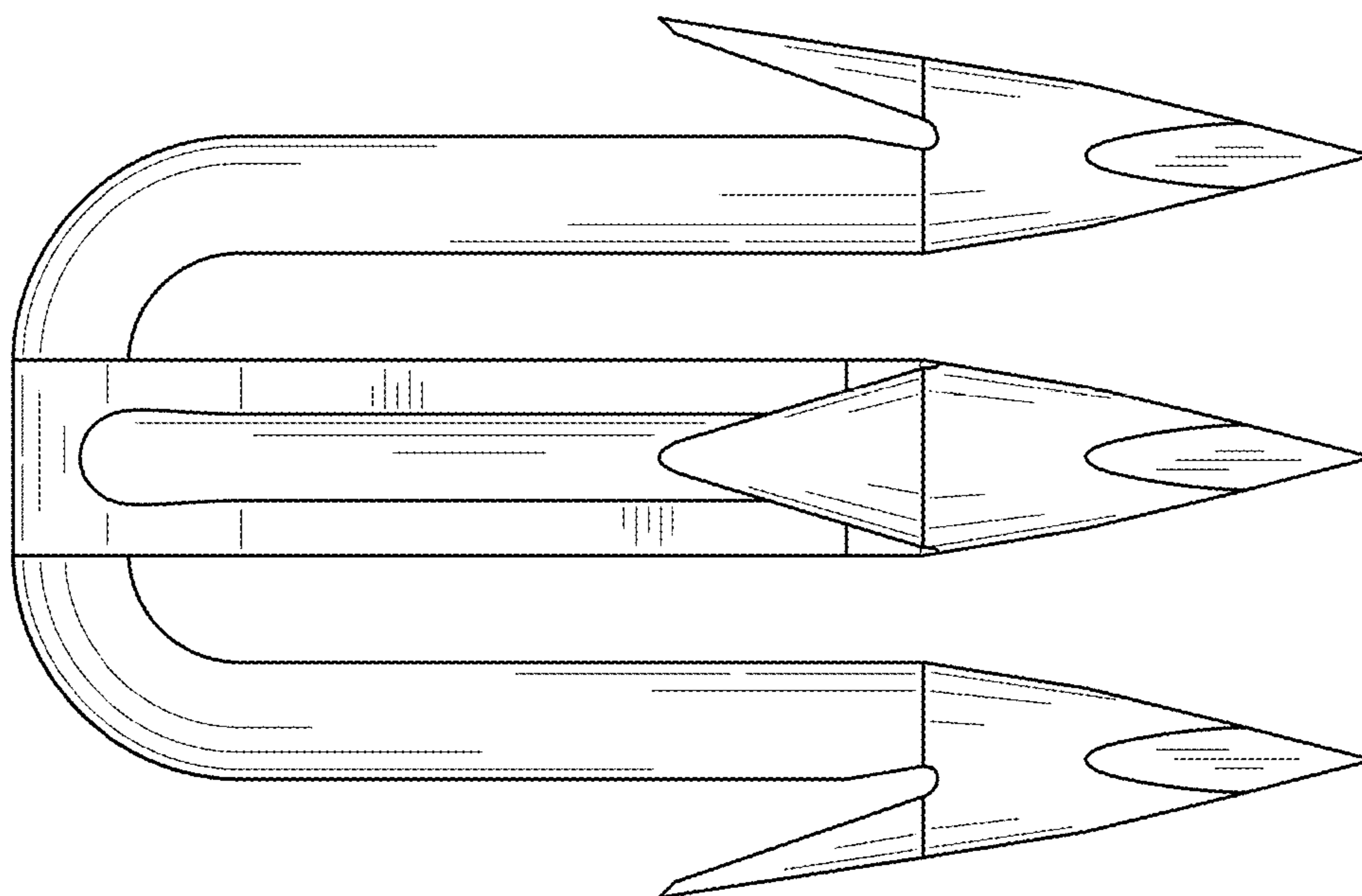


FIG. 4

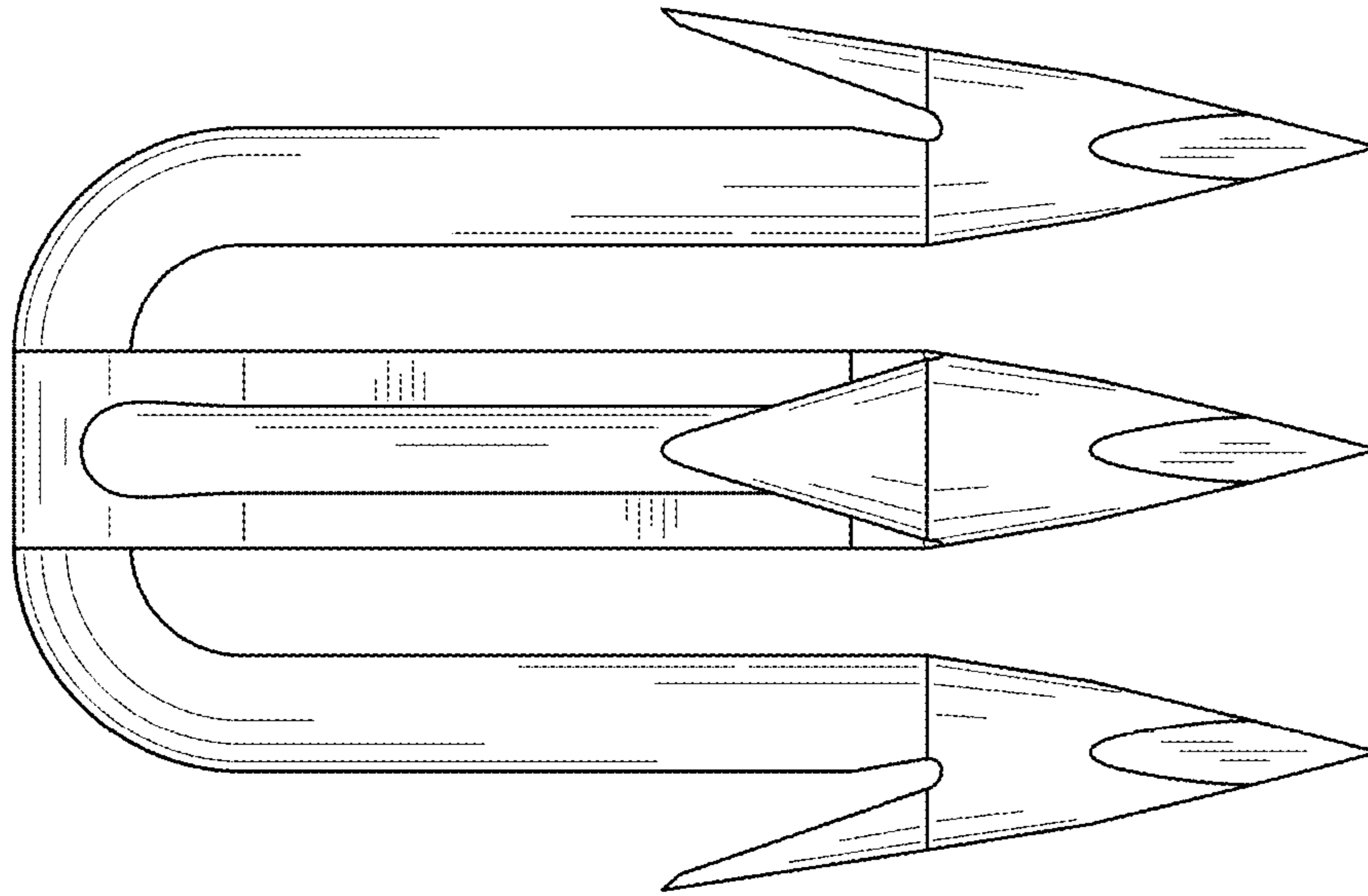


FIG. 5

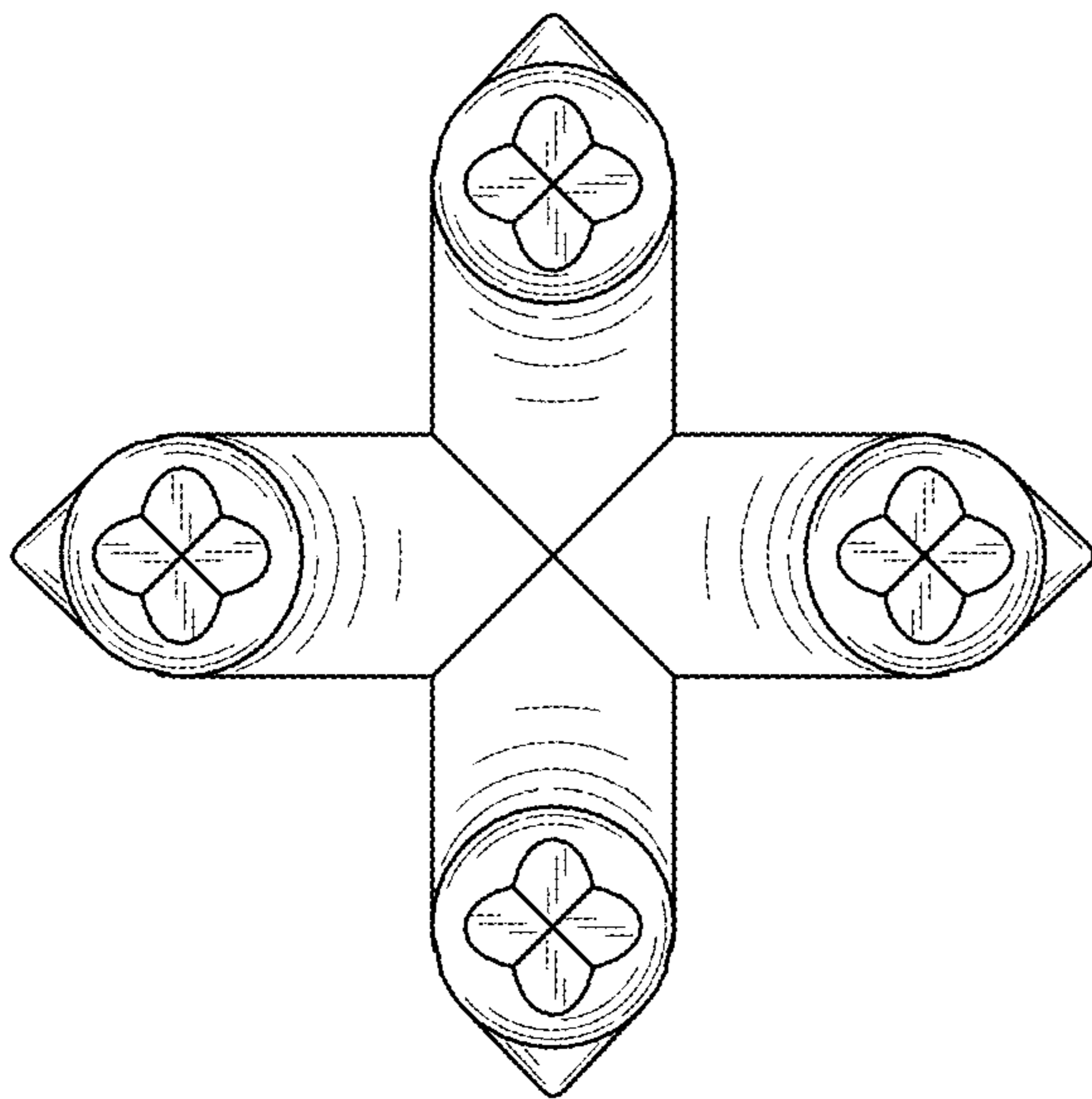


FIG. 6

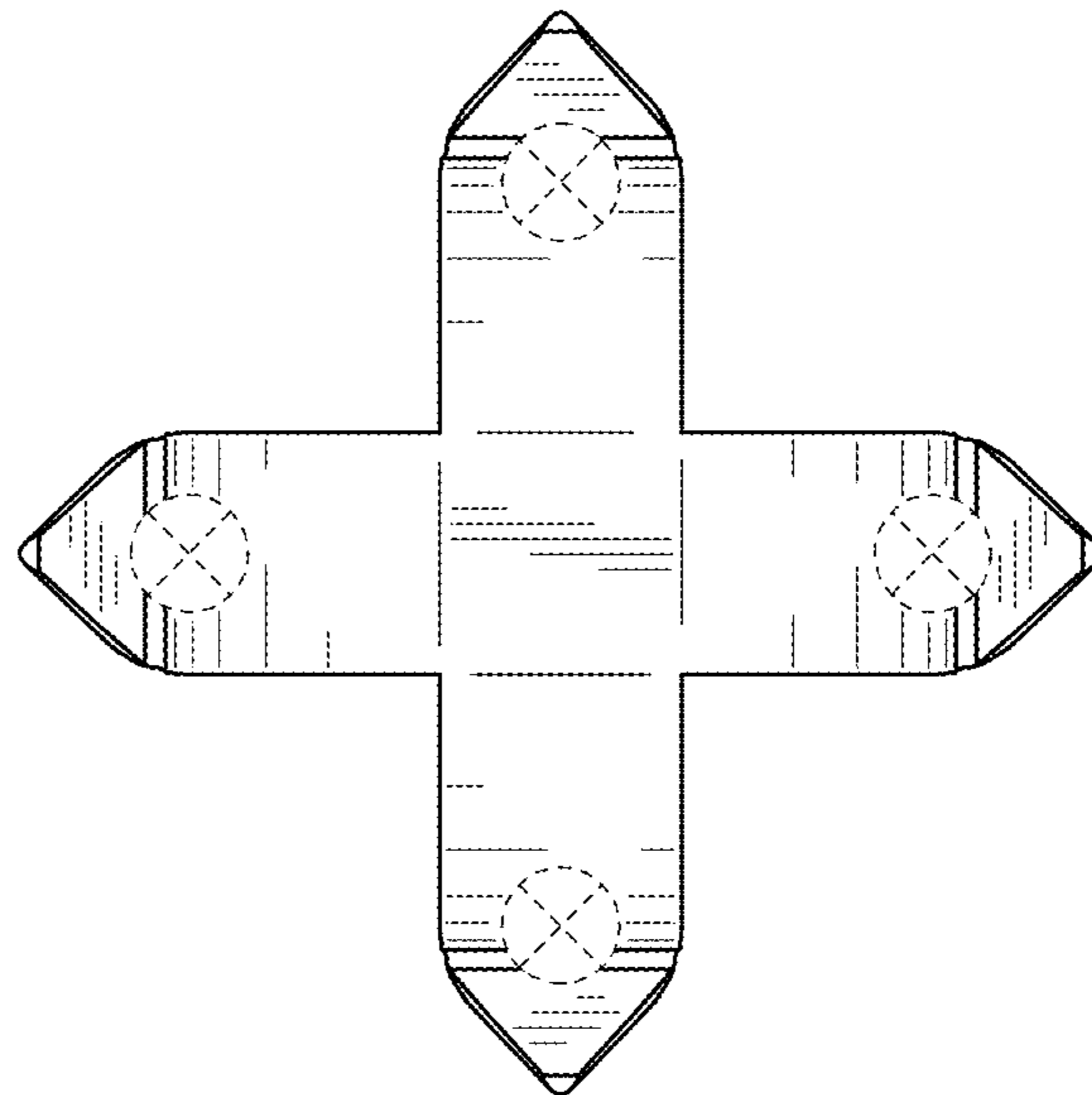


FIG. 7