



US00D768296S

(12) **United States Design Patent** (10) **Patent No.:** **US D768,296 S**
Corrao, Jr. et al. (45) **Date of Patent:** **** Oct. 4, 2016**

(54) **SURGICAL REFERENCE CLAMP**

(56) **References Cited**

(71) Applicant: **7D Surgical Inc.**, Toronto (CA)

U.S. PATENT DOCUMENTS

(72) Inventors: **Ernest N. Corrao, Jr.**, Bethel, CT (US); **Ronald G. Litke, Jr.**, Sandy Hook, CT (US); **Glenn Paul DiCostanzo**, Woodbury, CT (US); **Peter Siegler**, Toronto (CA); **Kathleen Chancellor-Maddison**, Cambridge (CA); **Adrian Linus Dinesh Mariampillai**, Toronto (CA); **Michael Ka Kit Leung**, Markham (CA); **Beau Anthony Standish**, Toronto (CA); **Victor X. D. Yang**, North York (CA)

| | | | | |
|-----------|------|---------|-------------------|-------------------------|
| 4,815,476 | A * | 3/1989 | Clossick | A61B 10/00 606/207 |
| 5,084,054 | A * | 1/1992 | Bencini | A61B 17/2909 606/206 |
| 5,099,827 | A * | 3/1992 | Melzer | A61B 17/122 600/104 |
| 5,720,751 | A * | 2/1998 | Jackson | A61B 17/7032 D24/143 |
| 5,792,149 | A * | 8/1998 | Sherts | A61B 17/1285 D24/143 |
| 8,876,820 | B2 * | 11/2014 | Hughett, Sr. | A61B 18/1445 606/205 |

* cited by examiner

Primary Examiner — Wan Laymon

(73) Assignee: **7D SURGICAL, INC.**, Toronto, ON (CA)

(74) *Attorney, Agent, or Firm* — Lynn C. Schumacher; Stephen W. Leonard; Hill & Schumacher

(**) Term: **15 Years**

(57) **CLAIM**

The ornamental design for a surgical reference clamp, as shown and described.

(21) Appl. No.: **29/539,101**

DESCRIPTION

(22) Filed: **Sep. 10, 2015**

(51) **LOC (10) Cl.** **24-02**

(52) **U.S. Cl.**
USPC **D24/143**

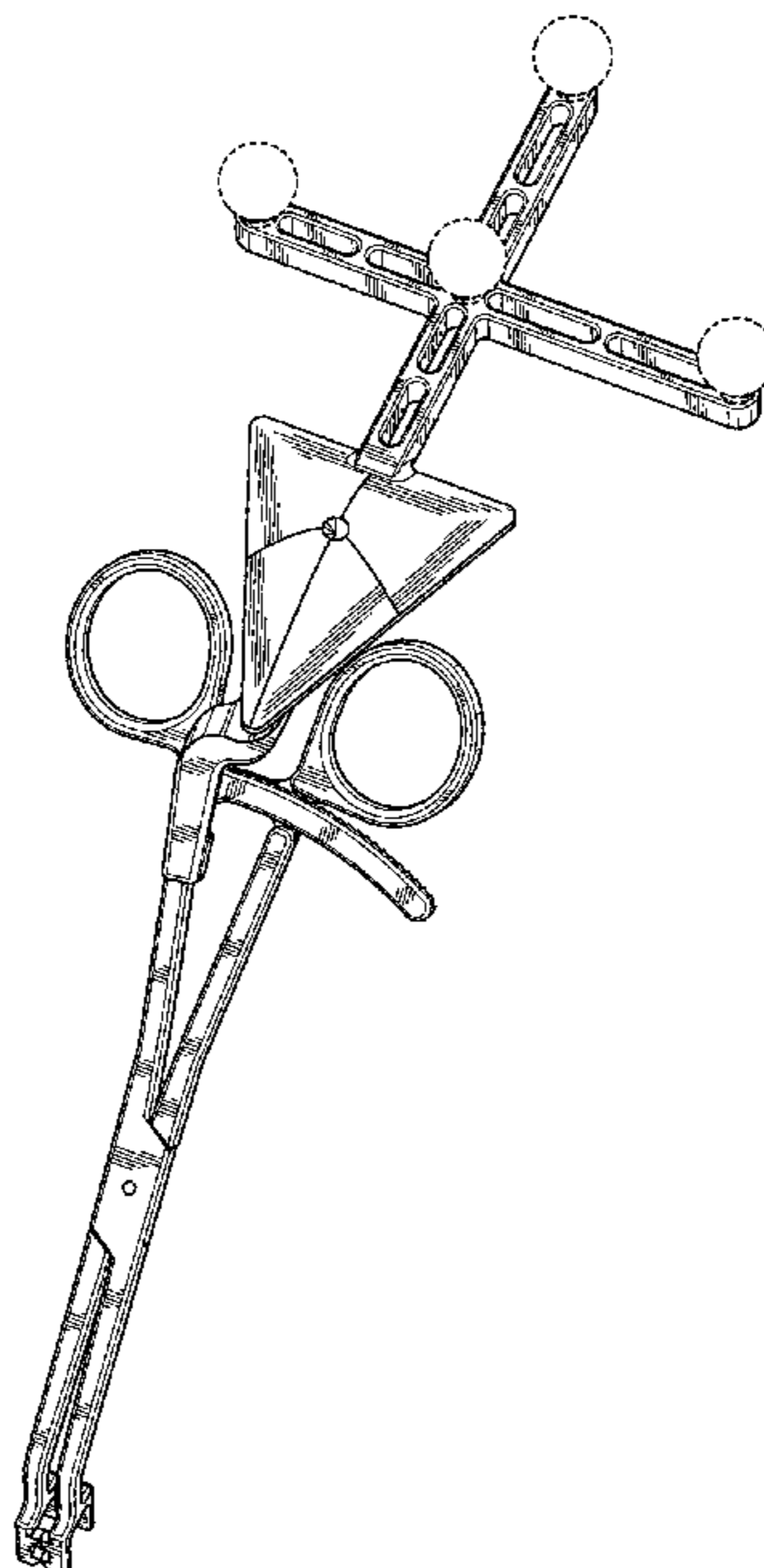
(58) **Field of Classification Search**
 USPC D24/143, 147-148, 133; 606/205-207, 606/51-52
 CPC .. A61B 18/1445; A61B 10/04; A61B 17/08; A61B 17/10; A61B 17/122; A61B 17/1225; A61B 17/128; A61B 17/1285; A61B 17/29; A61B 17/0218; A61B 1/0052

FIG. 1 is a perspective view of one embodiment of a surgical reference clamp showing our new design;
 FIG. 2 is a top plan view thereof;
 FIG. 3 is a right side elevational view thereof;
 FIG. 4 is a front elevational view thereof;
 FIG. 5 is a rear side elevational view thereof;
 FIG. 6 is a left elevational view thereof; and,
 FIG. 7 is a bottom plan view thereof.

The broken lines shown in the figures are included for the purpose of illustrating portions of the surgical reference clamp and form no part of the claimed design.

See application file for complete search history.

1 Claim, 6 Drawing Sheets



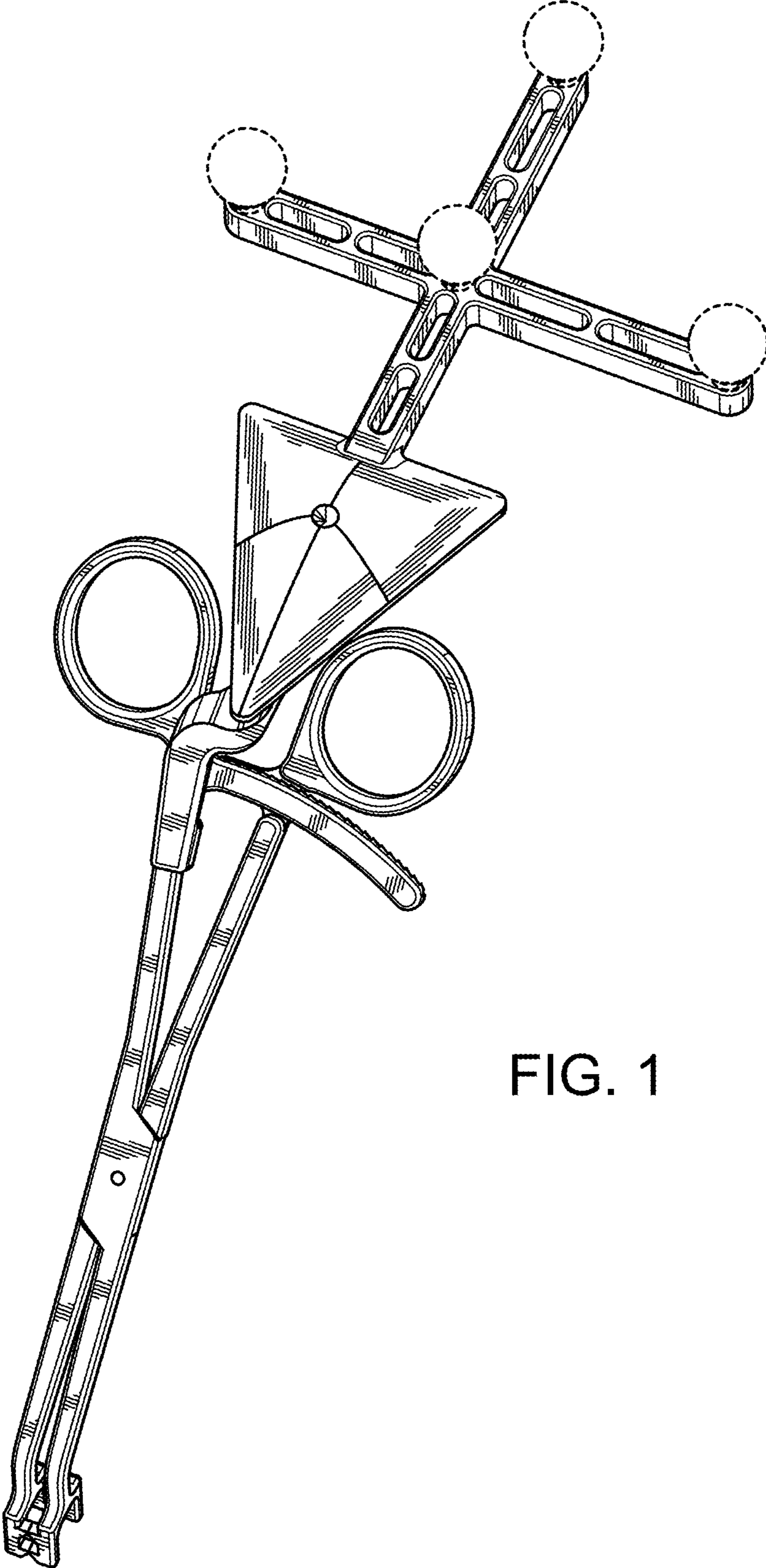


FIG. 1

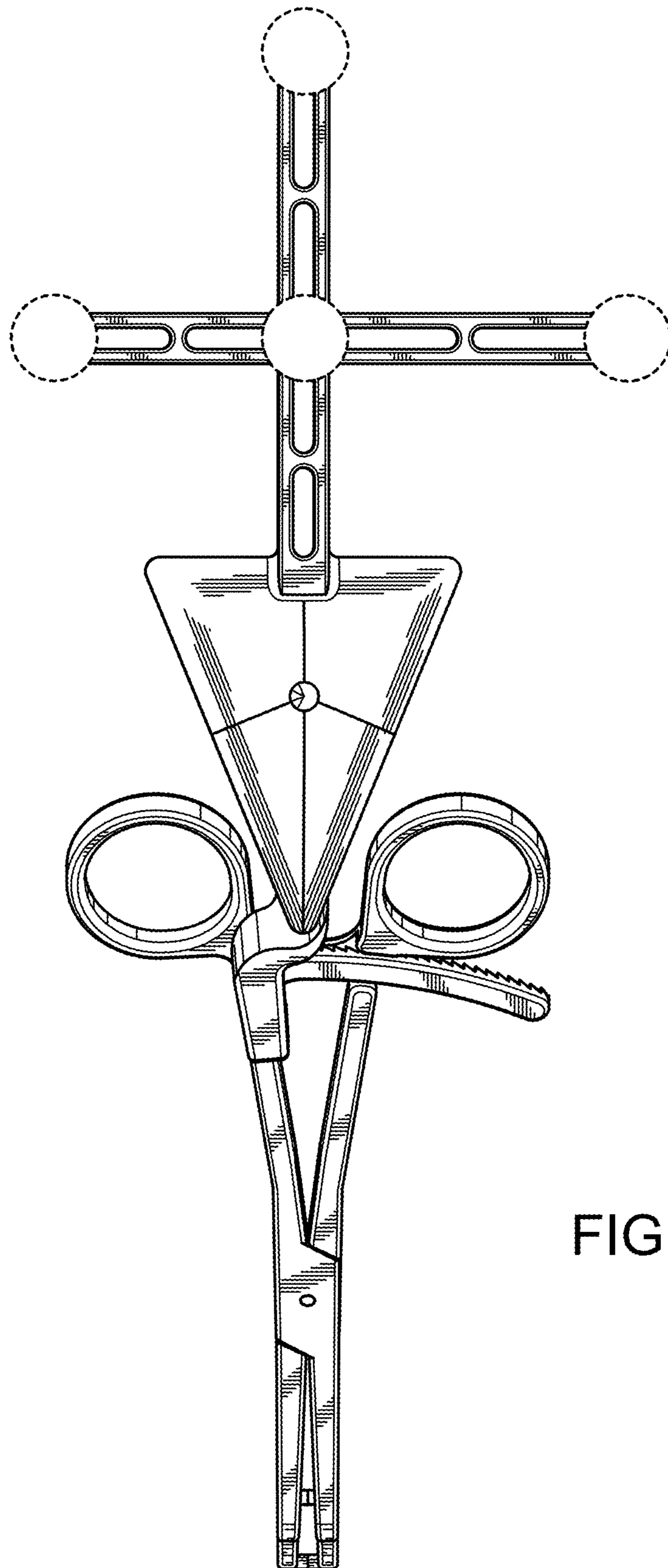


FIG. 2

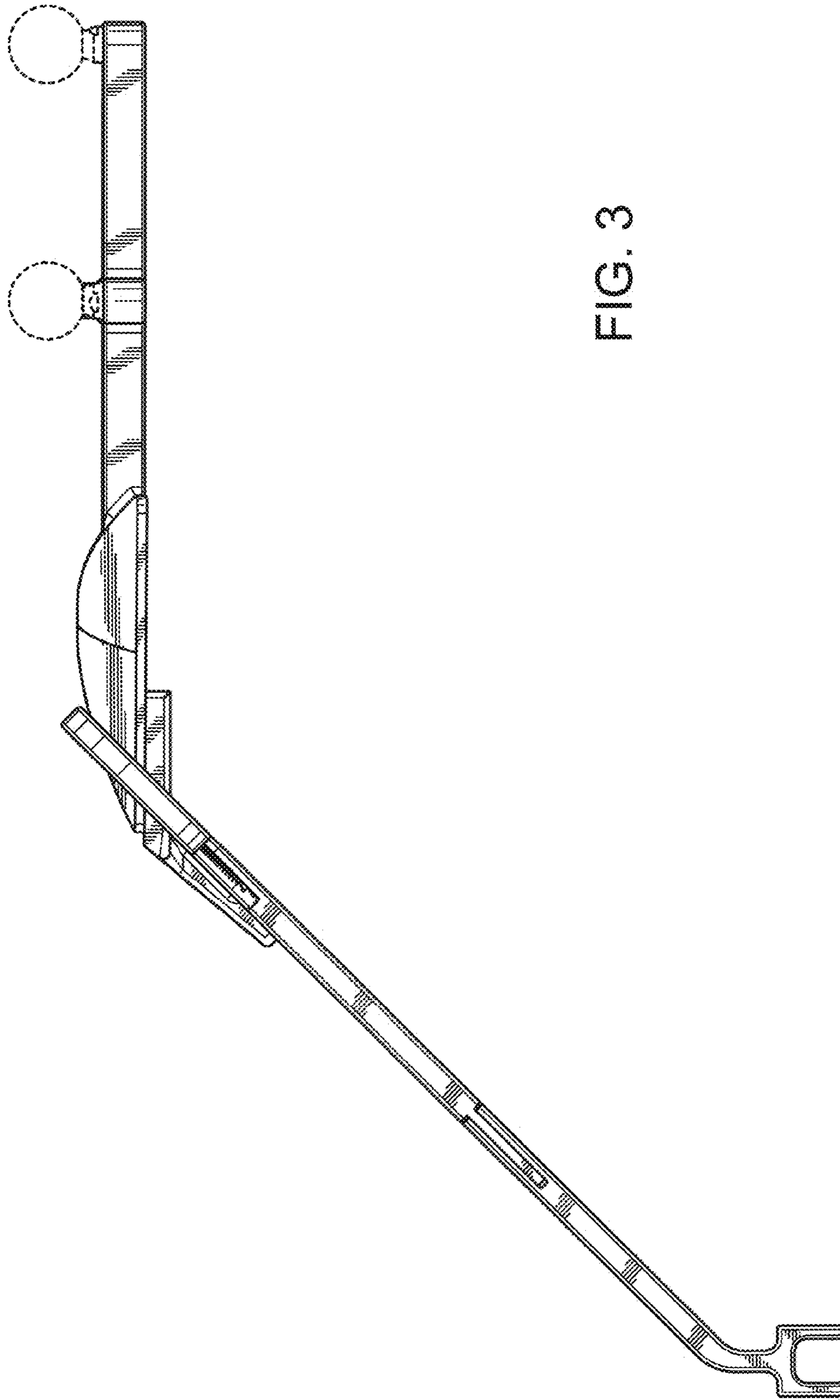


FIG. 3

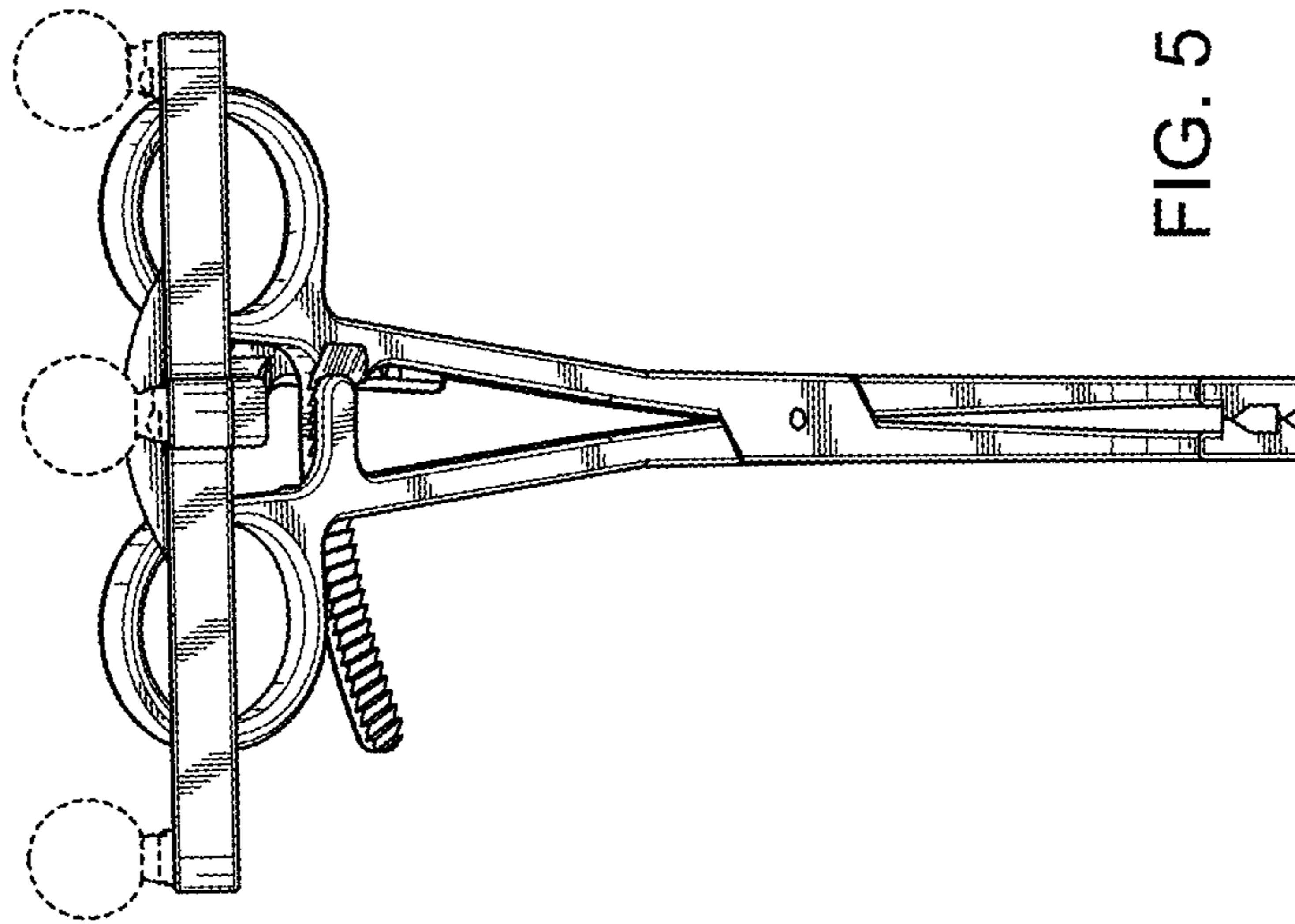


FIG. 5

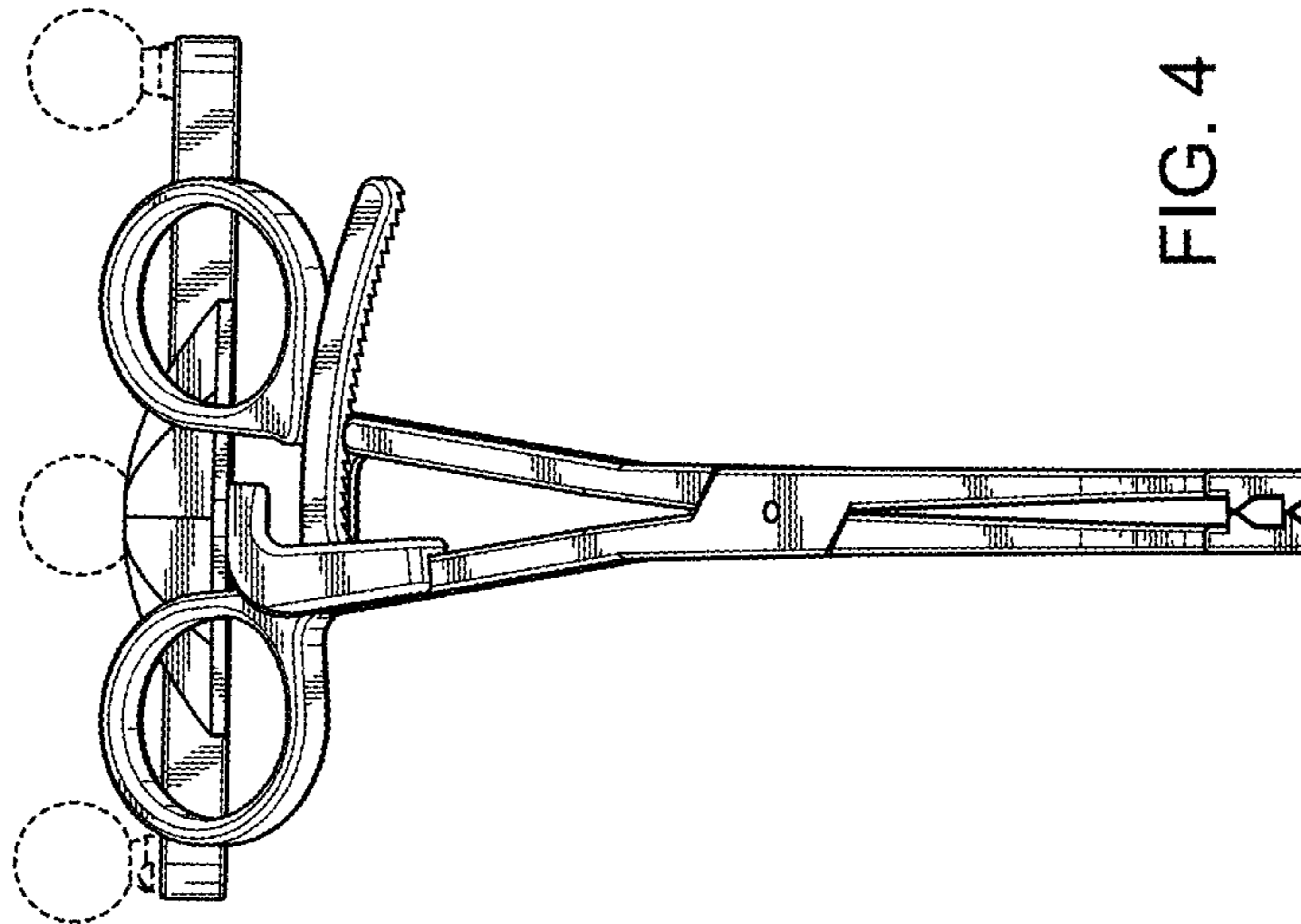


FIG. 4

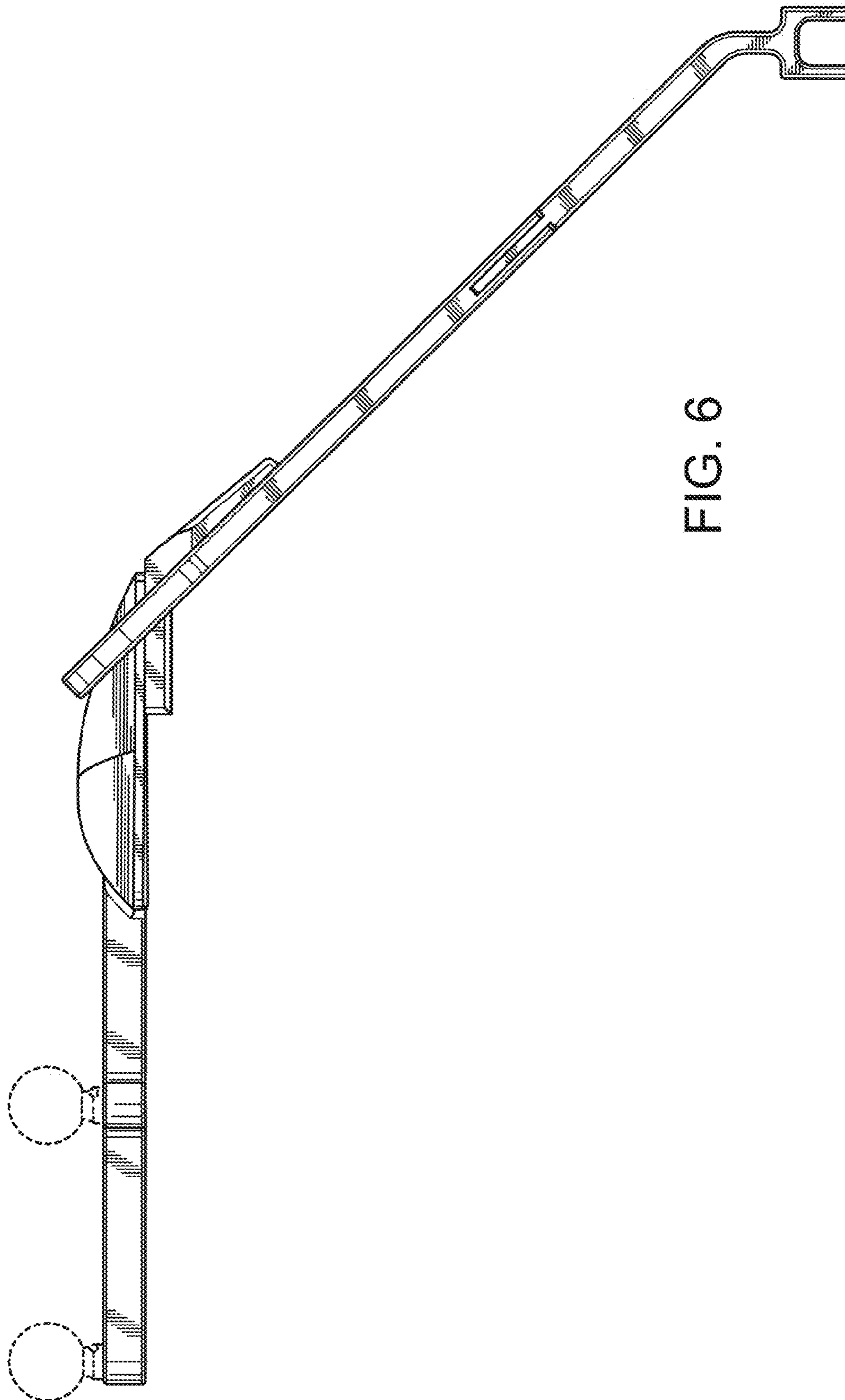


FIG. 6

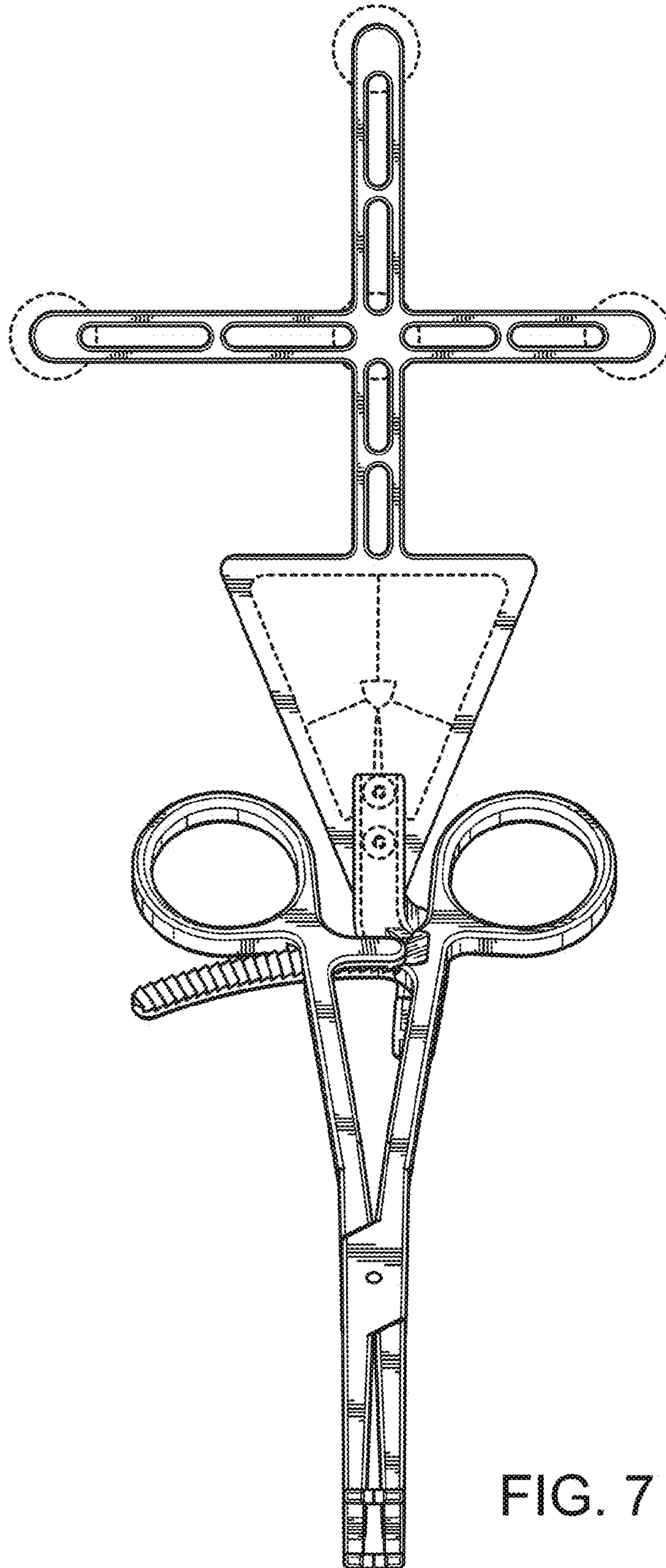


FIG. 7