



US00D768295S

(12) **United States Design Patent** (10) **Patent No.:** **US D768,295 S**  
**Waters et al.** (45) **Date of Patent:** **\*\* Oct. 4, 2016**

(54) **SURGICAL INSTRUMENT END PORTION**  
(71) Applicant: **Intuitive Surgical Operations, Inc.**,  
Sunnyvale, CA (US)  
(72) Inventors: **Scott Waters**, Hollis, NH (US);  
**Edward P Donlon**, San Jose, CA (US)  
(73) Assignee: **Intuitive Surgical Operations, Inc.**,  
Sunnyvale, CA (US)  
(\*\*) Term: **14 Years**  
(21) Appl. No.: **29/485,148**  
(22) Filed: **Mar. 17, 2014**  
(51) **LOC (10) Cl.** ..... **24-02**  
(52) **U.S. Cl.**  
USPC ..... **D24/133; D24/146**  
(58) **Field of Classification Search**  
USPC ..... D24/113, 127, 133, 138, 147, 183, 184,  
D24/215; 600/584; 606/1; D28/58, 59, 62;  
74/89.14; 901/41; 700/250  
See application file for complete search history.

8,862,268 B2 \* 10/2014 Robinson ..... A61B 18/1206  
700/245  
9,089,972 B2 \* 7/2015 Stuart ..... G06F 19/321  
9,161,772 B2 \* 10/2015 Hyodo ..... B25J 13/02  
9,162,358 B2 \* 10/2015 Geffard ..... B25J 9/1679  
9,204,934 B2 \* 12/2015 Ogawa ..... B25J 3/04  
2005/0251110 A1 \* 11/2005 Nixon ..... 606/1  
2006/0074406 A1 \* 4/2006 Cooper et al. .... 606/1

(Continued)

**OTHER PUBLICATIONS**

Design U.S. Appl. No. 29/485,142, Surgical Instrument End Portion, filed Mar. 17, 2014.

(Continued)

*Primary Examiner* — Ian Simmons  
*Assistant Examiner* — Samantha Q Lawrence

(57) **CLAIM**  
The ornamental design for a surgical instrument end portion, as shown and described.

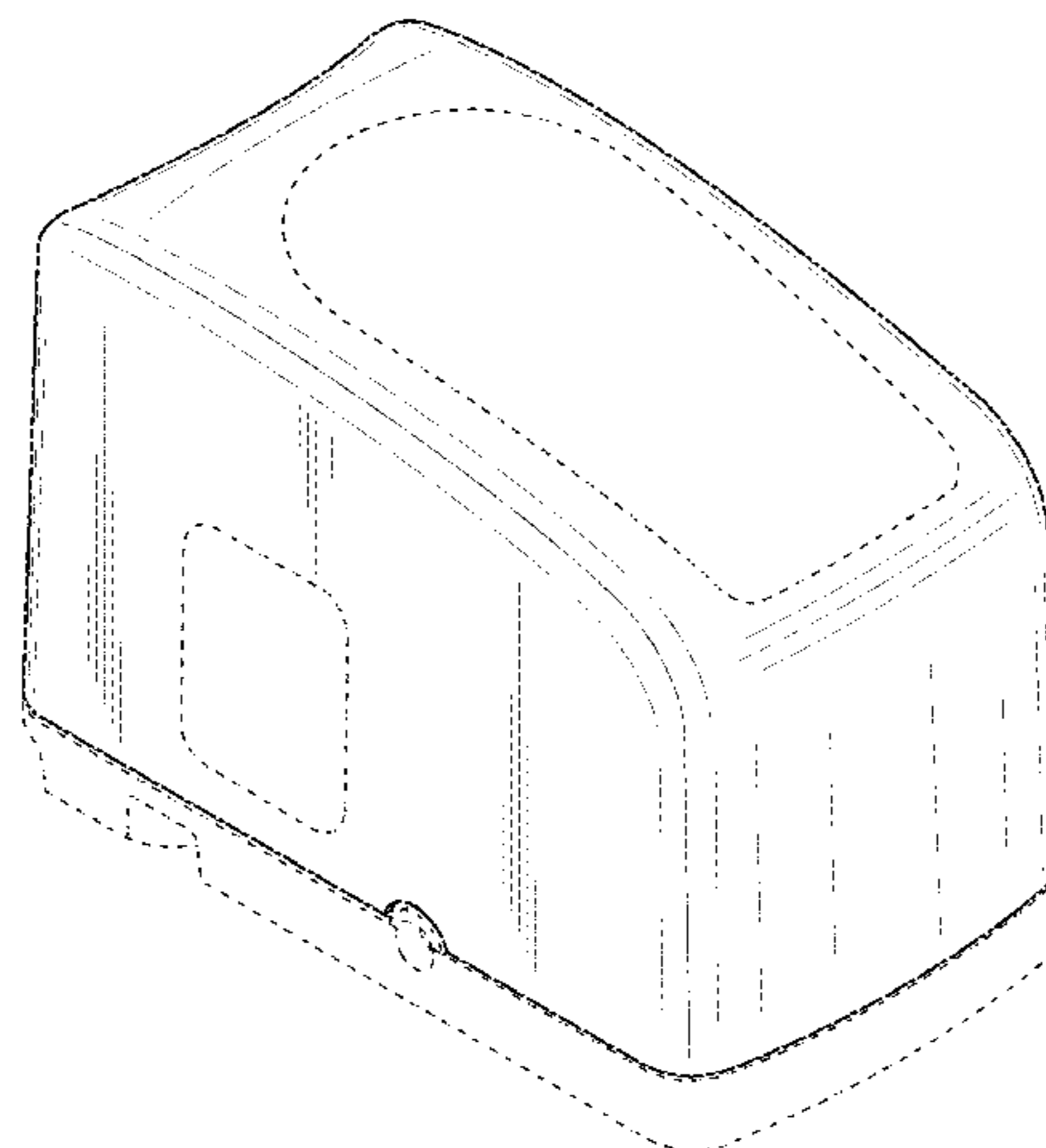
**DESCRIPTION**

FIG. 1 is a front top perspective view of an embodiment of a surgical instrument end portion of our new design; FIG. 2 is another front top perspective view thereof; FIG. 3 is a rear top perspective view thereof; FIG. 4 is another rear top perspective view thereof; FIG. 5 is a front view thereof; FIG. 6 is a rear view thereof; FIG. 7 is a left side view thereof; FIG. 8 is a right side view thereof; and, FIG. 9 is a top view thereof. Bottom views of the surgical instrument end portion are omitted as the bottom view forms no part of the claimed design. The shade lines in the Figures show contour and not surface ornamentation. The broken lines shown in FIGS. 1-9 illustrate portions of the surgical instrument end portion that form no part of the claimed design.

**1 Claim, 9 Drawing Sheets**

(56) **References Cited**  
U.S. PATENT DOCUMENTS

D438,617 S \* 3/2001 Cooper et al. .... D24/133  
D441,076 S \* 4/2001 Cooper et al. .... D24/133  
D444,555 S \* 7/2001 Cooper et al. .... D24/133  
6,742,413 B2 \* 6/2004 Schwital et al. .... 74/606 R  
7,140,151 B2 \* 11/2006 Spaziani et al. .... 49/349  
D577,823 S \* 9/2008 Hensler et al. .... D24/138  
D637,287 S \* 5/2011 Mudd et al. .... D24/133  
D652,923 S \* 1/2012 Kennedy et al. .... D24/138  
D657,057 S \* 4/2012 Kearsley ..... D24/133  
8,224,484 B2 \* 7/2012 Swarup et al. .... 700/245  
8,323,213 B2 \* 12/2012 Kim ..... 600/584  
8,375,808 B2 \* 2/2013 Blumenkranz et al. . 73/862.044  
8,423,186 B2 \* 4/2013 Itkowitz ..... A61B 19/2203  
606/130  
8,466,811 B2 \* 6/2013 Kang ..... G06F 3/014  
341/20  
D687,599 S \* 8/2013 Amit ..... D28/58  
D705,488 S \* 5/2014 Cheng ..... D28/58  
8,740,880 B2 \* 6/2014 Pinault ..... A61N 5/1049  
606/1



(56)

**References Cited**

U.S. PATENT DOCUMENTS

2007/0005002 A1\* 1/2007 Millman et al. .... 604/30  
2007/0142824 A1\* 6/2007 Devengenzo et al. .... 606/1  
2008/0139964 A1\* 6/2008 Murray et al. .... 600/584  
2009/0248036 A1\* 10/2009 Hoffman et al. .... 606/130  
2010/0169815 A1\* 7/2010 Zhao et al. .... 715/771  
2011/0071473 A1\* 3/2011 Rogers et al. .... 604/167.01  
2011/0071543 A1\* 3/2011 Prisco et al. .... 606/130  
2011/0118748 A1\* 5/2011 Itkowitz ..... A61B 19/2203  
606/130  
2012/0215220 A1\* 8/2012 Manzo et al. .... 606/46  
2013/0046318 A1\* 2/2013 Radgowski et al. .... 606/130  
2014/0081455 A1\* 3/2014 Goldberg ..... A61B 19/2203  
700/250

2014/0128886 A1\* 5/2014 Holop ..... A61B 19/2203  
606/130  
2014/0338477 A1\* 11/2014 Donlon ..... F16H 19/02  
74/89.14  
2015/0257814 A1\* 9/2015 Berry ..... A61B 18/12  
606/34

OTHER PUBLICATIONS

Design U.S. Appl. No. 29/485,144, Surgical Instrument End Portion, filed Mar. 17, 2014.

Design U.S. Appl. No. 29/485,147, Surgical Instrument End Portion, filed Mar. 17, 2014.

\* cited by examiner

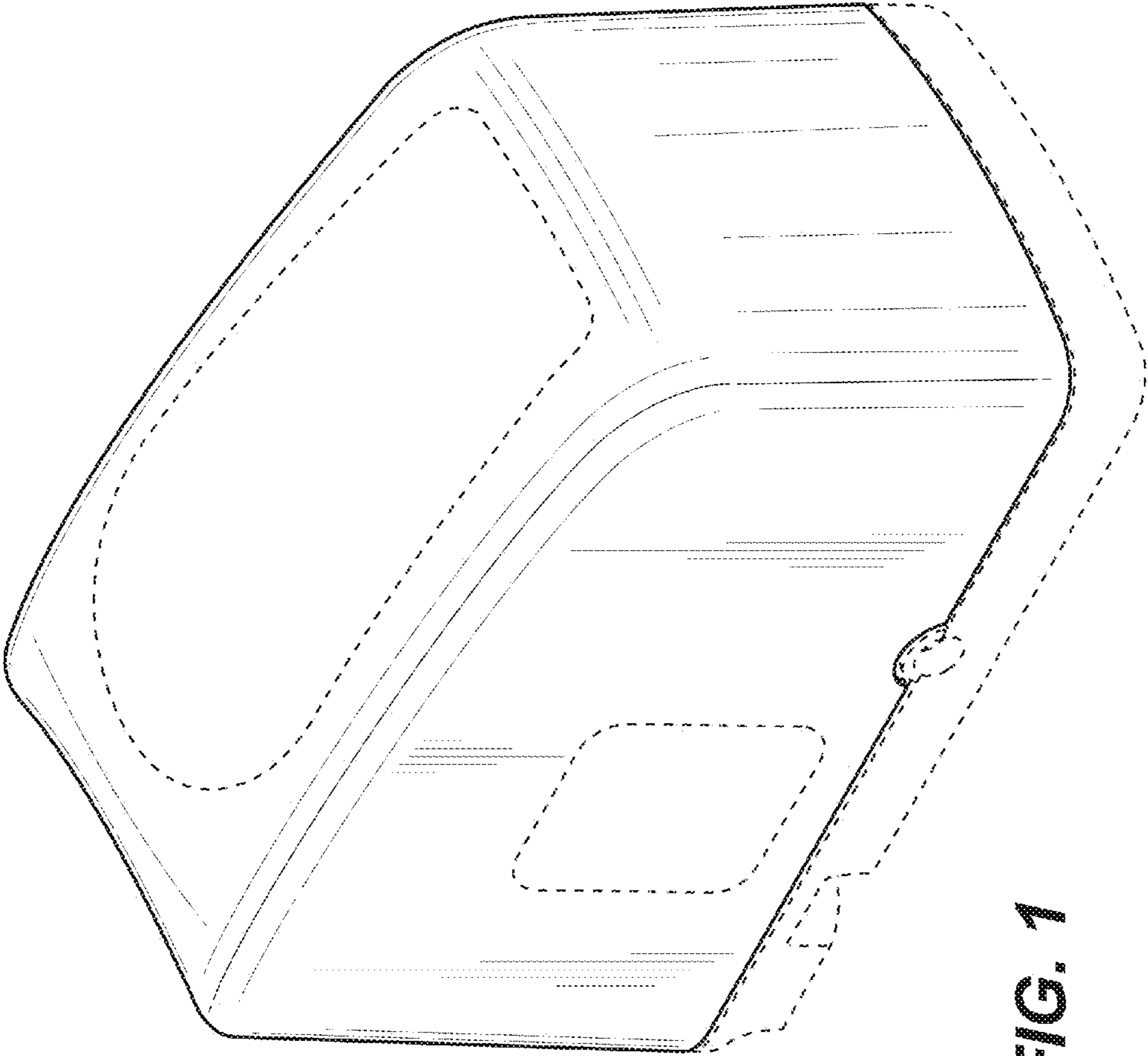


FIG. 1

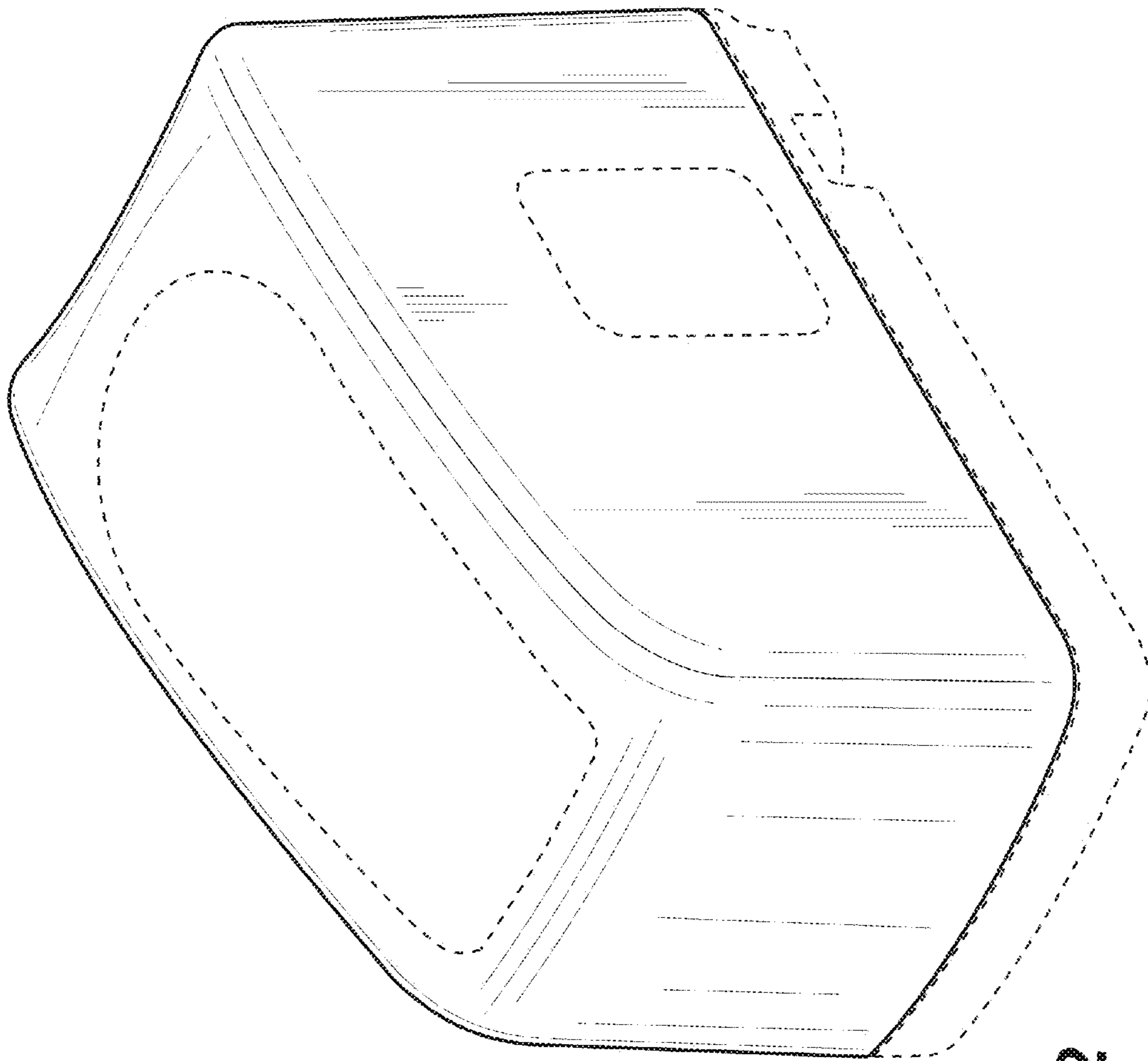


FIG. 2

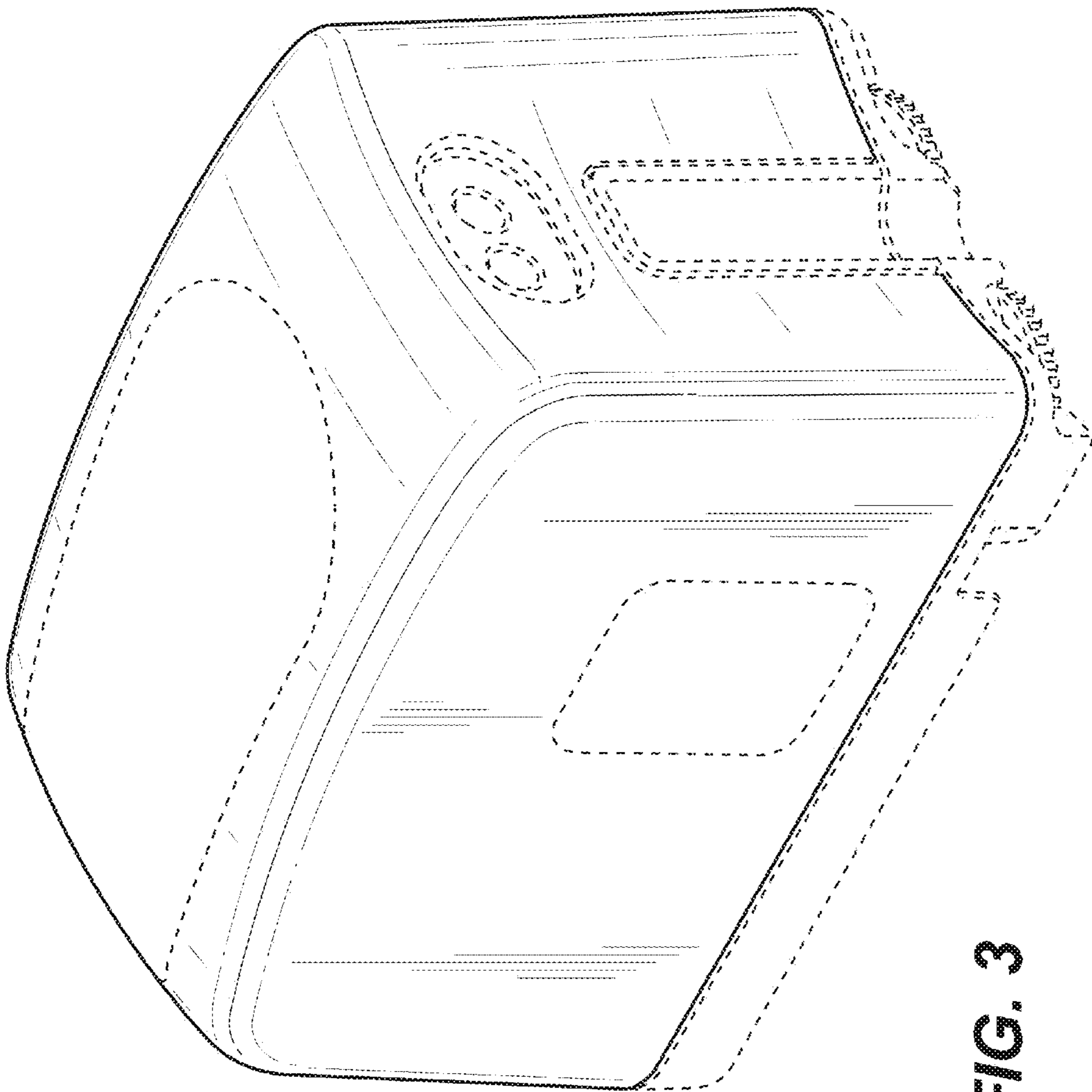


FIG. 3

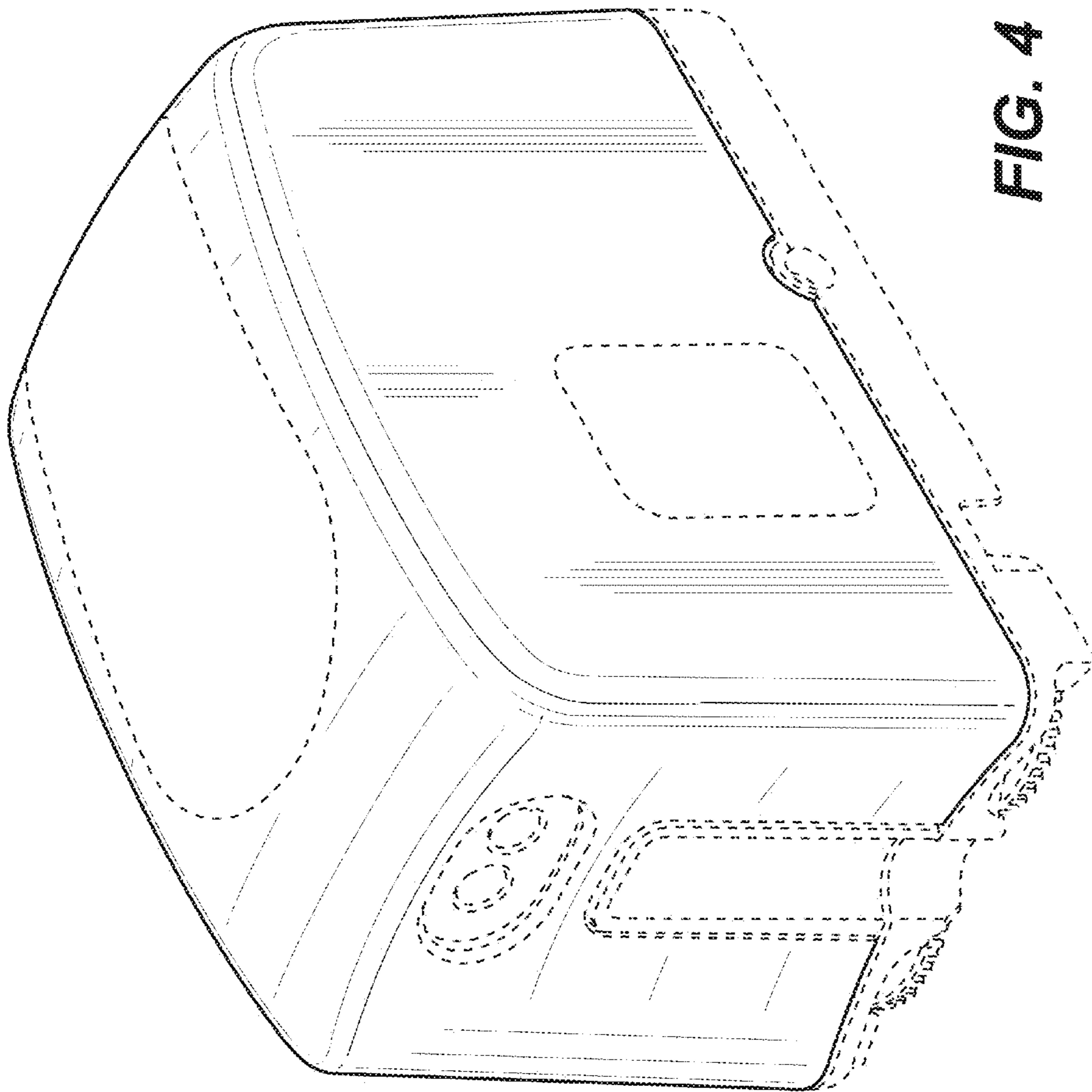
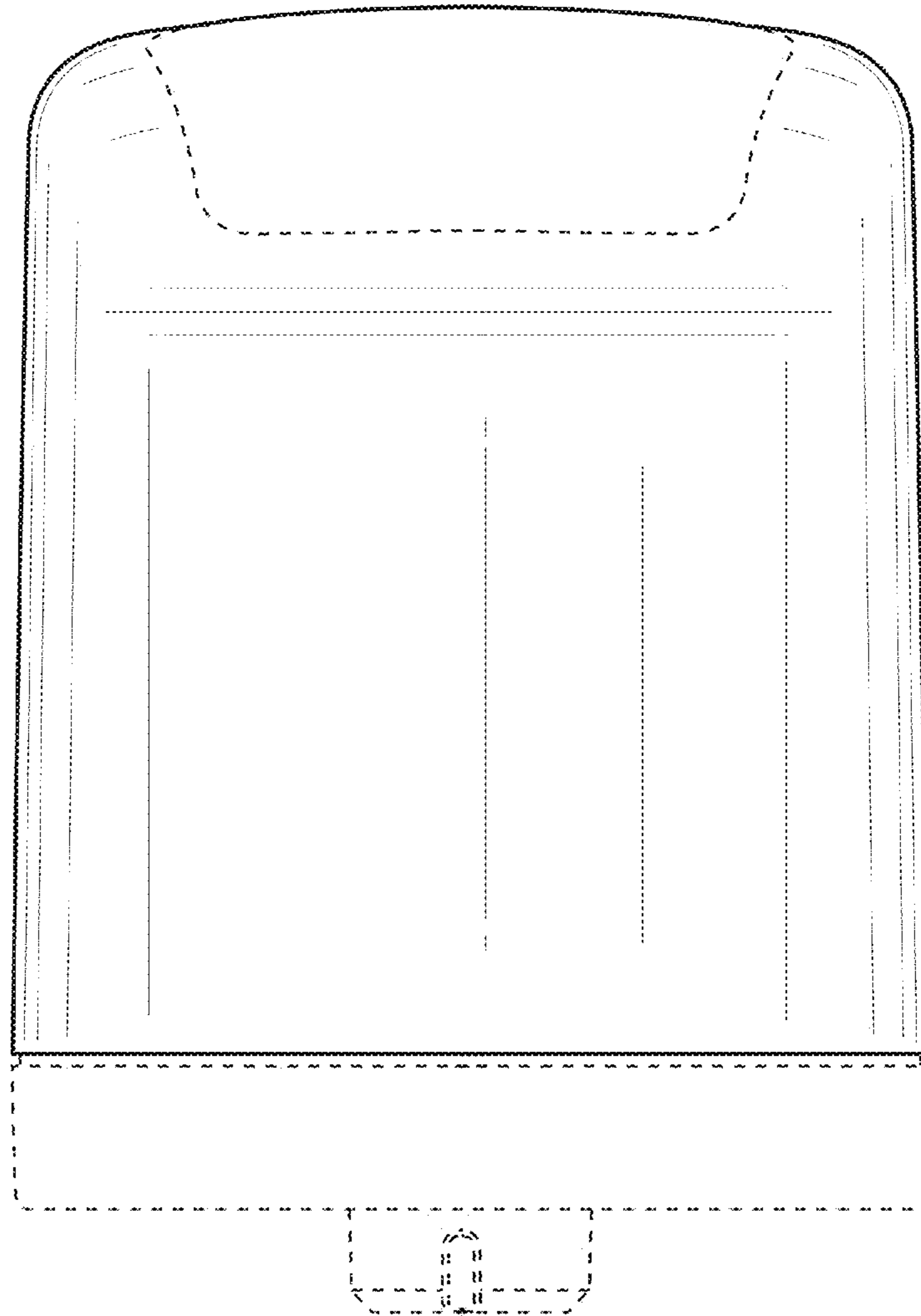
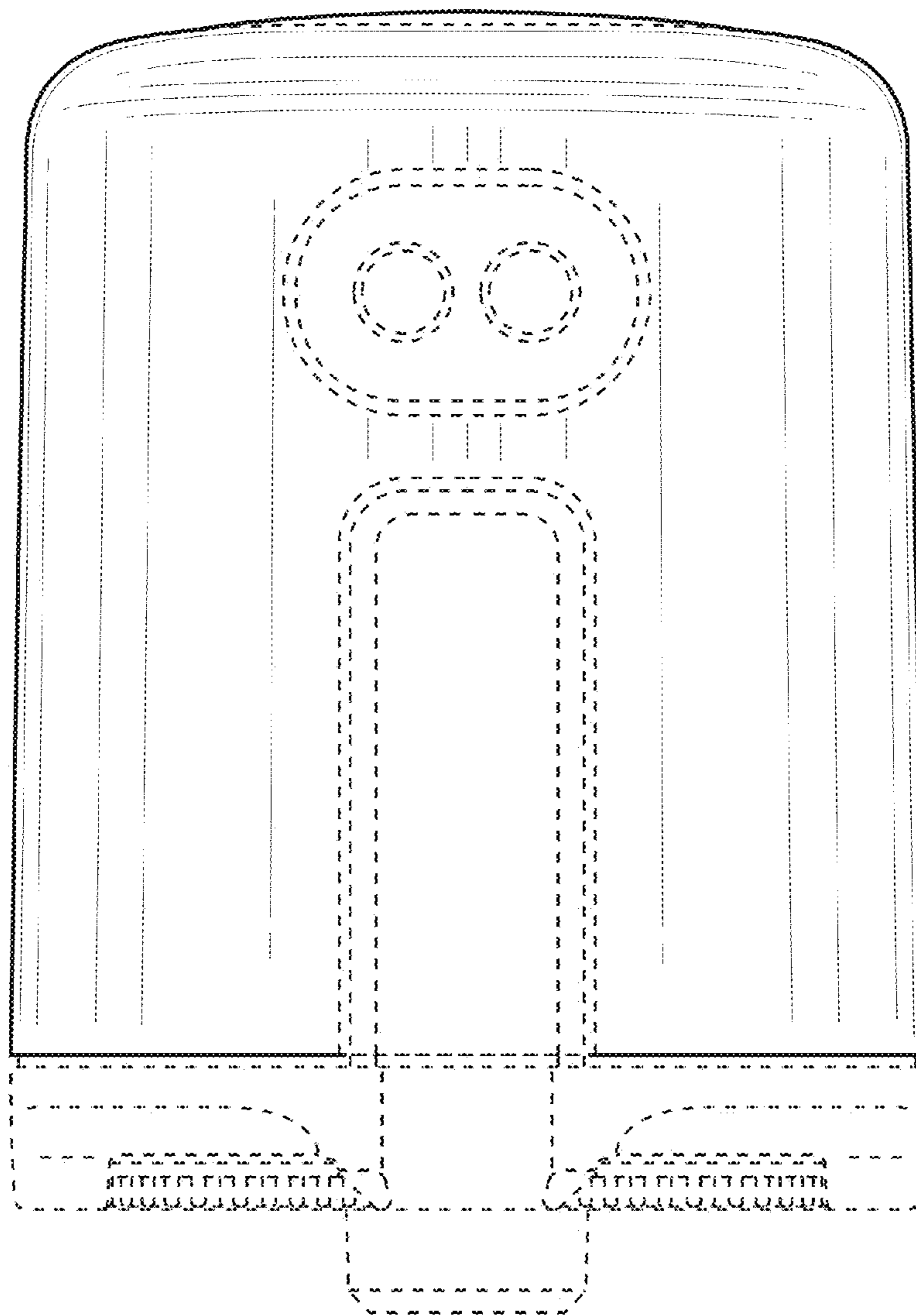


FIG. 4

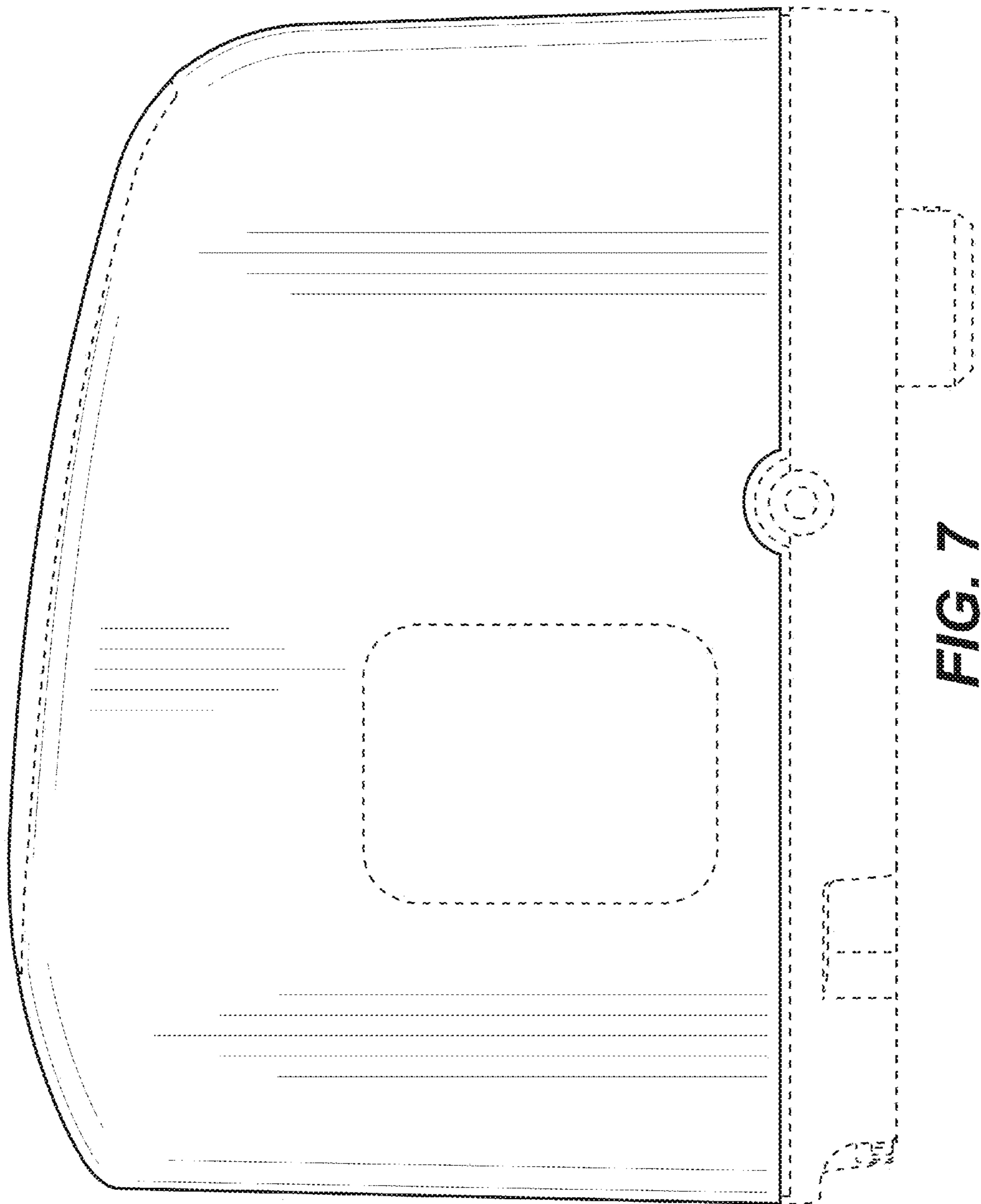


**FIG. 5**



**FIG. 6**





**FIG. 7**

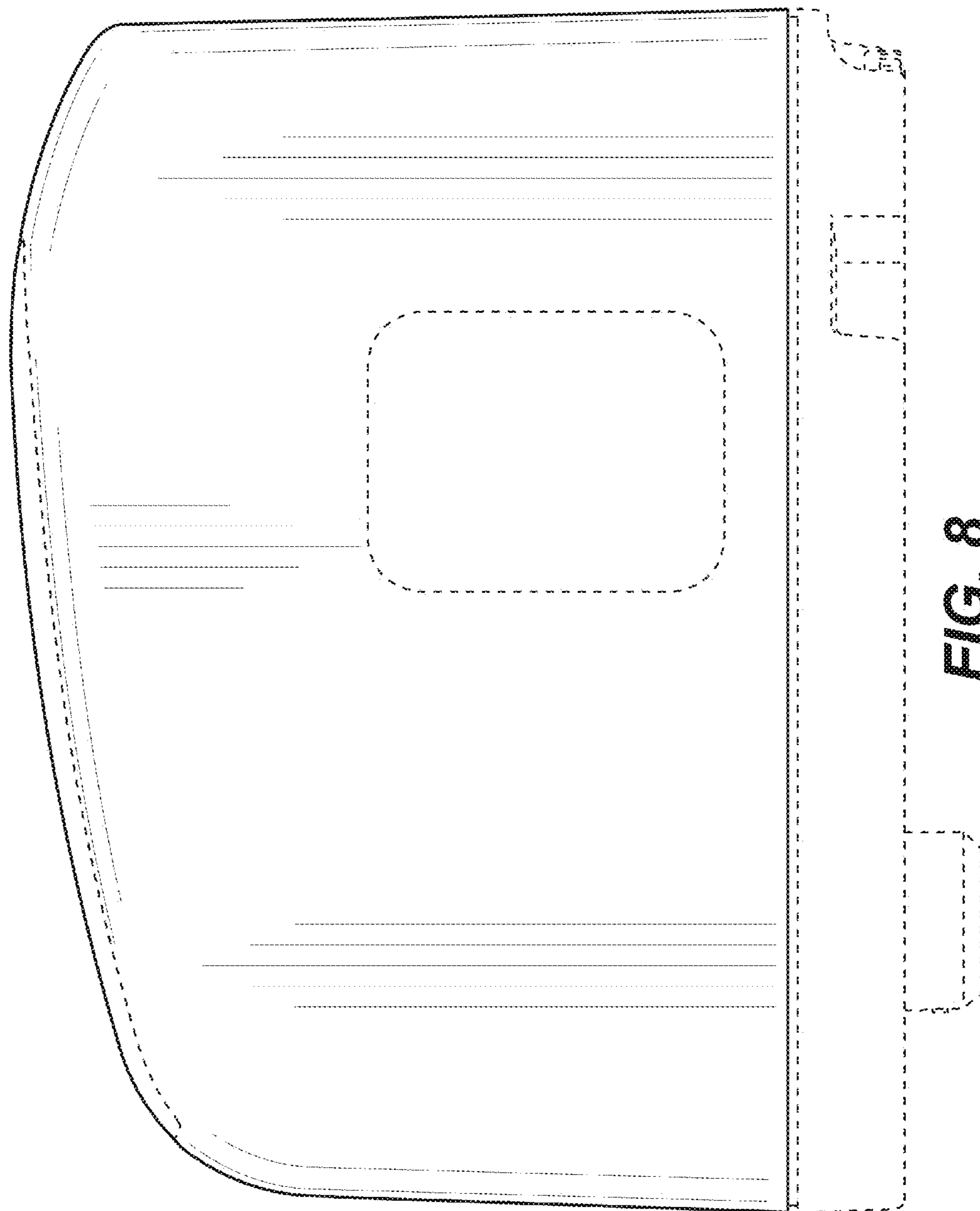
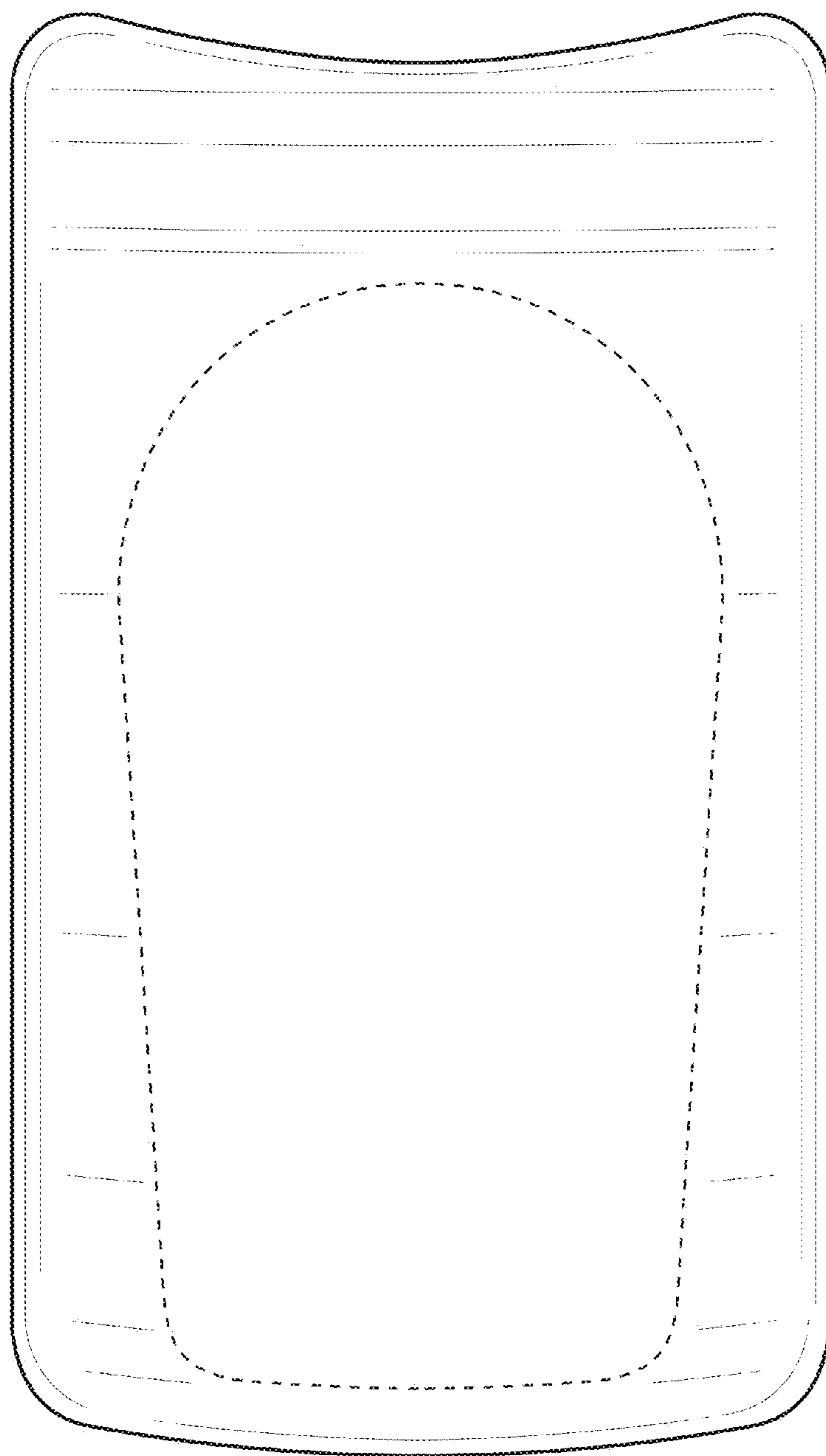


FIG. 8



**FIG. 9**