



US00D768292S

(12) **United States Design Patent** (10) **Patent No.:** **US D768,292 S**
Mahe (45) **Date of Patent:** **** Oct. 4, 2016**

- (54) **MOLD SWAB TESTING TIP**
- (71) Applicant: **Timothy G. Maher**, Norco, CA (US)
- (72) Inventor: **Timothy G. Maher**, Norco, CA (US)
- (**) Term: **14 Years**
- (21) Appl. No.: **29/510,732**
- (22) Filed: **Dec. 2, 2014**
- (51) **LOC (10) Cl.** **24-02**
- (52) **U.S. Cl.**
USPC **D24/119**
- (58) **Field of Classification Search**
USPC D24/119, 166, 216, 217; D8/85;
606/162; 604/1; D23/303, 304, 305
See application file for complete search history.

- (56) **References Cited**
U.S. PATENT DOCUMENTS
- | | | | |
|--------------|---------|-----------------|---------|
| D320,275 S * | 9/1991 | Wada | D24/119 |
| D418,731 S * | 1/2000 | Rowlay | D8/83 |
| D426,885 S * | 6/2000 | Stromblad | D24/119 |
| D435,774 S * | 1/2001 | Chen | D8/83 |
| D639,946 S * | 6/2011 | Simon | D24/112 |
| D687,143 S * | 7/2013 | Ogura | D24/119 |
| D720,590 S * | 1/2015 | Carl | D8/85 |
| D737,432 S * | 8/2015 | Burke | D24/119 |
| D743,571 S * | 11/2015 | Jackson | D24/216 |
| D750,225 S * | 2/2016 | Rabe | D24/119 |

- 2013/0023914 A1* 1/2013 Truong A61B 1/00087
606/162
- 2014/0243706 A1* 8/2014 El-Fahmawi A61B 10/0045
600/572
- 2015/0216722 A1* 8/2015 Choate A61F 9/00772
606/162

* cited by examiner

Primary Examiner — Ian Simmons
Assistant Examiner — Samantha Q Lawrence
 (74) *Attorney, Agent, or Firm* — QuickPatents, LLC;
 Kevin Prince

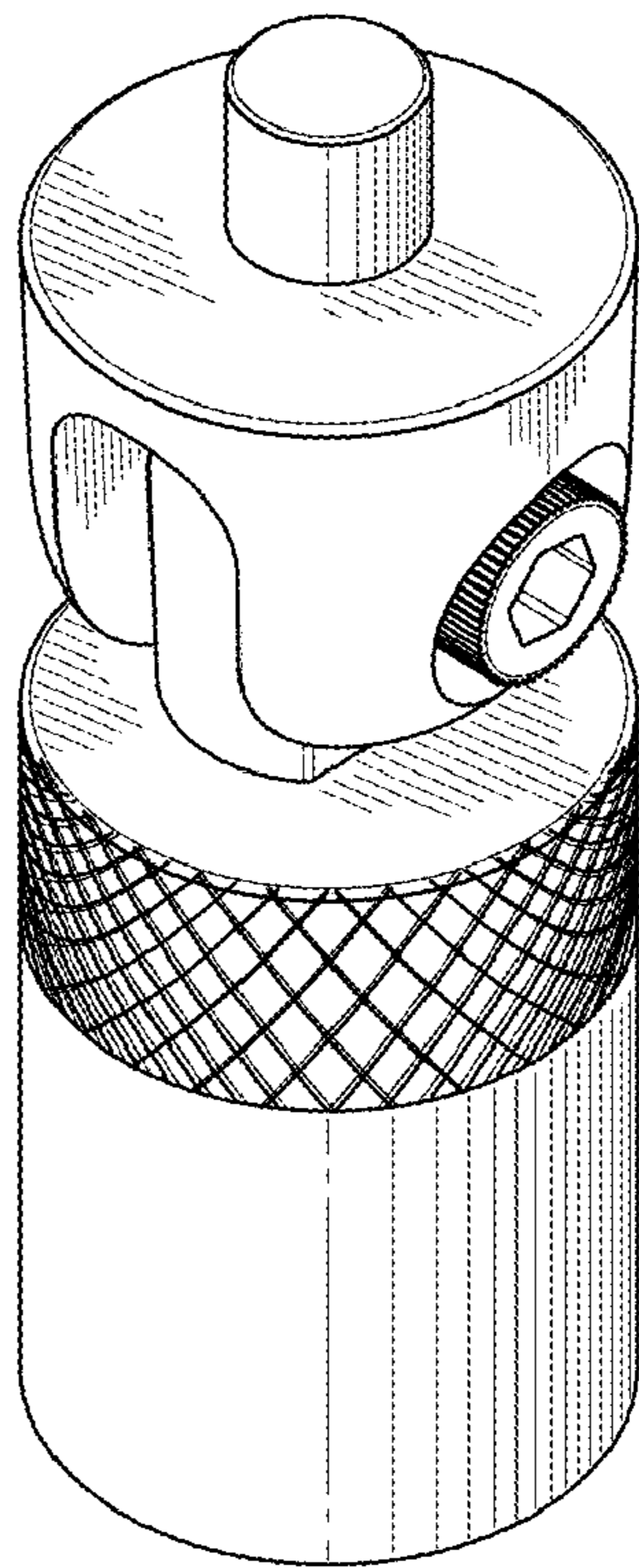
(57) **CLAIM**
 I claim the ornamental design for a mold swab testing tip, as shown and described.

DESCRIPTION

FIG. 1 is a bottom perspective view of a mold swab testing tip, showing my new design;
 FIG. 2 is an enlarged top perspective view thereof;
 FIG. 3 is a left-side elevational view of FIG. 2;
 FIG. 4 is a right-side elevational view of FIG. 2;
 FIG. 5 is a front elevational view of FIG. 2, the rear elevational view being a mirror image thereof;
 FIG. 6 is a top plan view of FIG. 2; and,
 FIG. 7 is a bottom plan view of FIG. 2.

The broken lines showing a handle and mold swab in FIG. 1 illustrate environment of the mold swab testing tip and form no part of the claimed design. The broken lines shown on the claimed portion in FIG. 1 and the broken lines shown in FIGS. 3 and 4 illustrate portions of the mold swab testing tip that form no part of the claimed design.

1 Claim, 3 Drawing Sheets



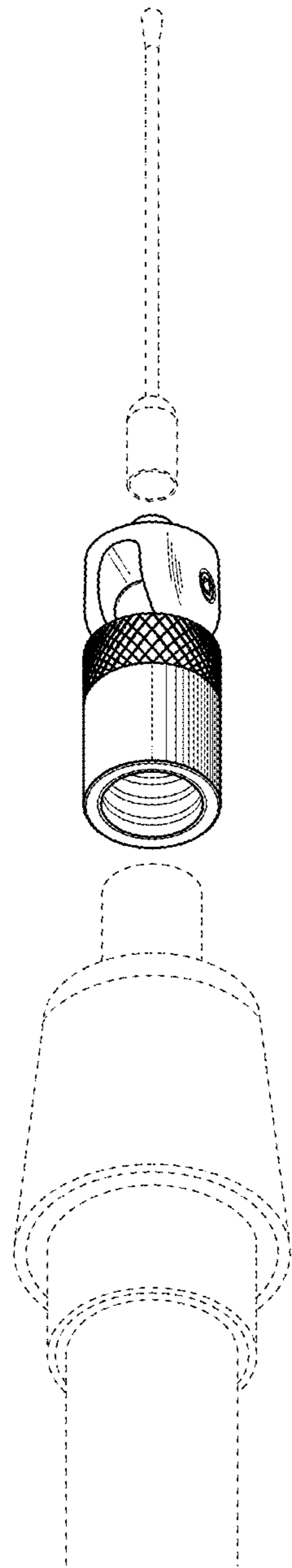


FIG. 1

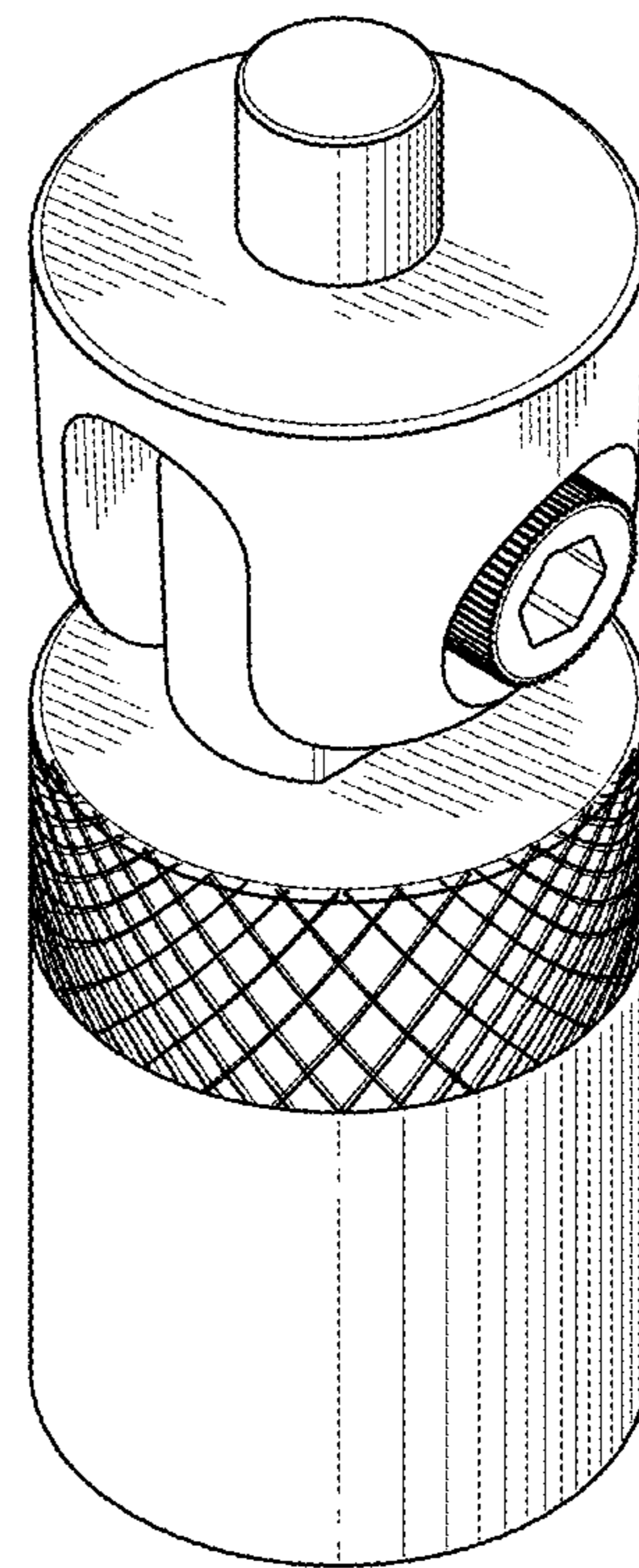


FIG. 2

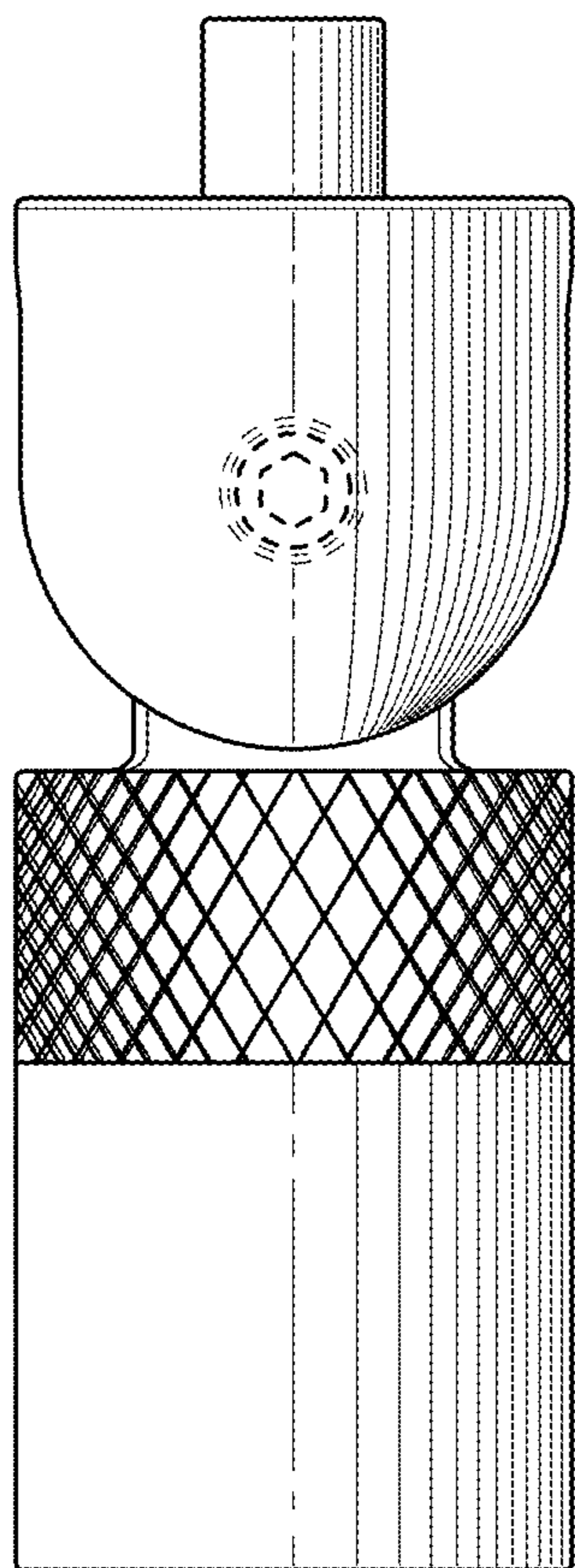


FIG. 3

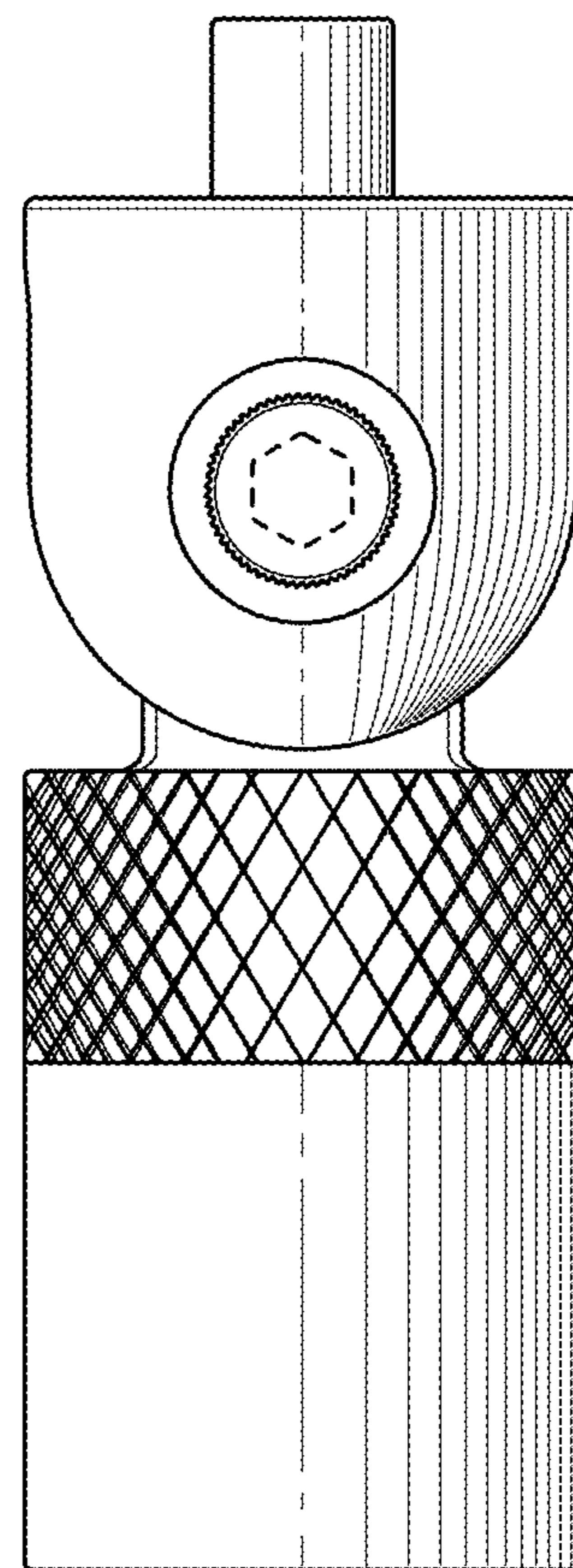


FIG. 4

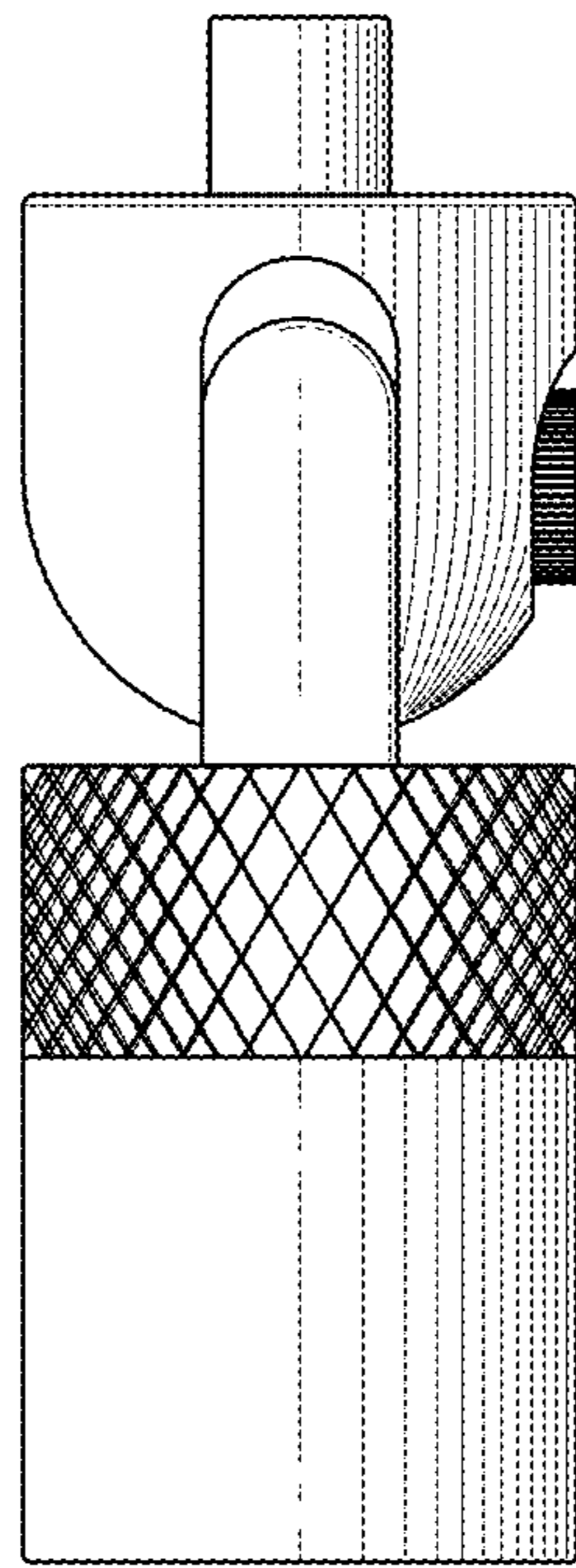


FIG. 5

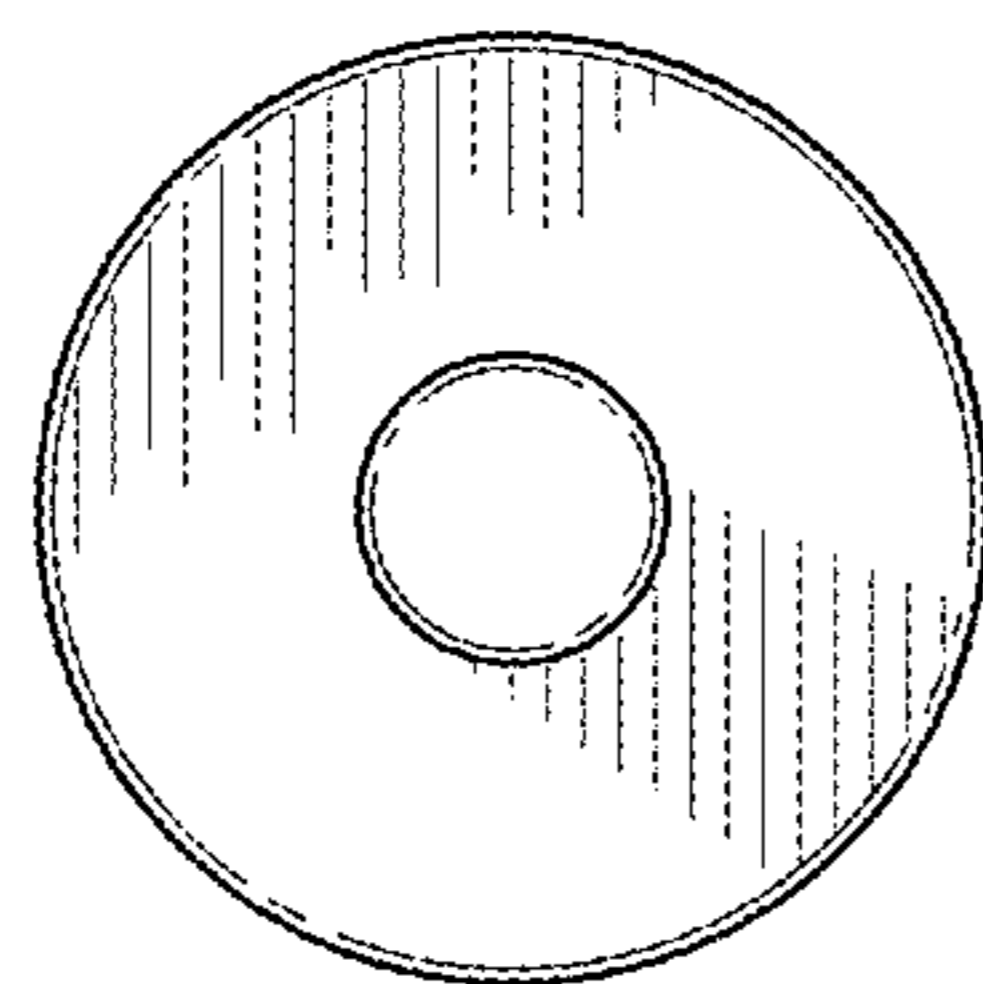


FIG. 6

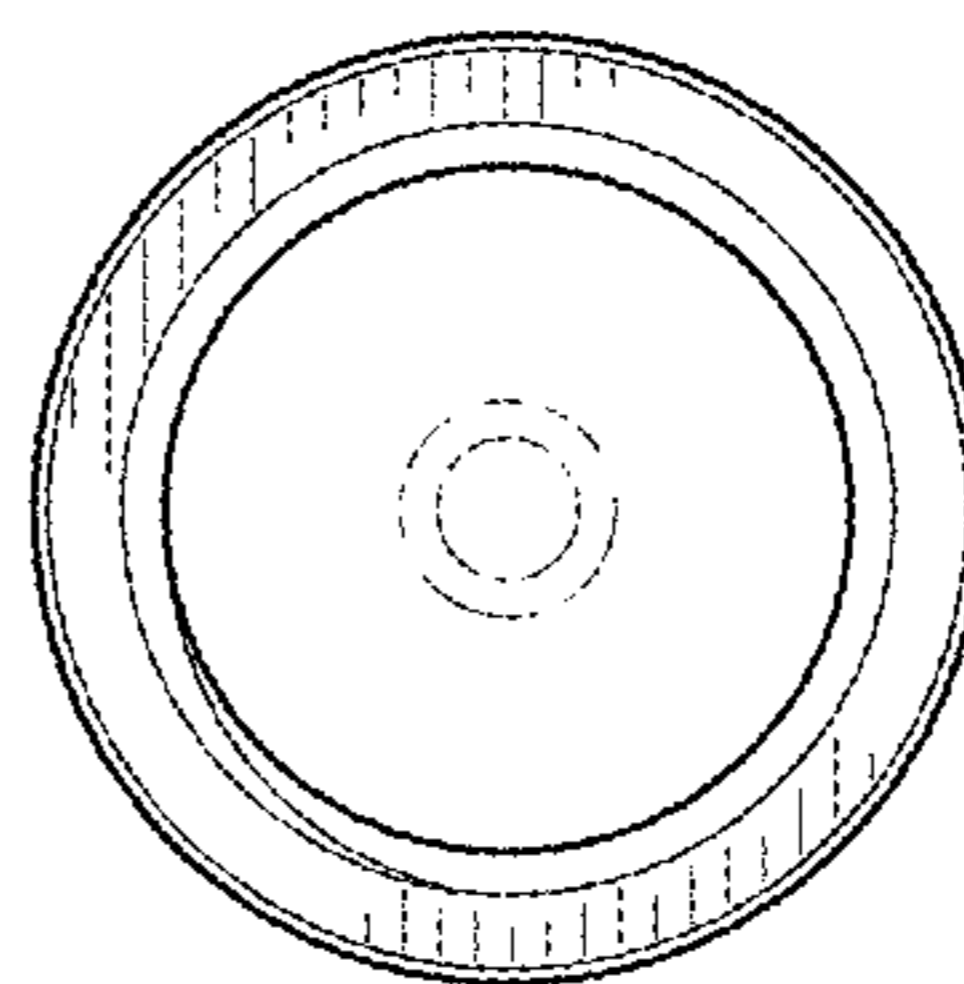


FIG. 7