



US00D768290S

(12) **United States Design Patent**  
**Hyde et al.**

(10) **Patent No.:** **US D768,290 S**  
(45) **Date of Patent:** **\*\* Oct. 4, 2016**

(54) **ROLLER PUMP**

(71) Applicant: **MAQUET Cardiopulmonary AG**,  
Rastatt (DE)

(72) Inventors: **Aidan Hyde**, Collingswood, NJ (US);  
**Patrick Adee**, Warwick, NY (US);  
**William James Repka**, Parsippany, NJ  
(US); **Daniel A Walters**, Rockway  
Township, NJ (US); **Daniel Medart**,  
Hillsdale, NJ (US)

(73) Assignee: **MAQUET CARDIOPULMONARY  
GmbH**, Rastatt (DE)

(\*\*) Term: **15 Years**

(21) Appl. No.: **29/526,818**

(22) Filed: **May 13, 2015**

(51) **LOC (10) Cl.** ..... **24-02**

(52) **U.S. Cl.**  
USPC ..... **D24/111**

(58) **Field of Classification Search**  
USPC ..... D15/7-9; D23/231, 232, 225; 417/60,  
417/235, 265, 321, 355, 358, 363, 359,  
417/410.1, 415-416, 405, 900, 476, 63,  
417/477.1, 477.3; 60/408, 412; 184/26-37;  
415/140-147; 123/495, 509;  
137/565.34; D24/108, 111, 164, 169;  
604/135  
CPC ..... F02M 37/04; F02M 37/14; F04B 43/12  
See application file for complete search history.

(56) **References Cited**

**U.S. PATENT DOCUMENTS**

2,899,905 A \* 8/1959 Becher ..... F04B 43/0072  
251/6  
D254,806 S \* 4/1980 Kitai ..... D10/85  
D277,602 S \* 2/1985 Benson ..... D15/7  
4,568,011 A \* 2/1986 DeArmitt ..... B23K 1/018  
228/20.5

D285,347 S \* 8/1986 Nelson ..... D24/111  
D328,952 S \* 8/1992 Arioka ..... D10/46  
5,538,405 A \* 7/1996 Patno ..... A61M 1/3693  
417/326  
5,637,095 A \* 6/1997 Nason ..... A61M 5/14244  
604/135  
D443,881 S \* 6/2001 Tsai ..... D15/7  
7,001,153 B2 \* 2/2006 McDowell ..... F04B 43/1253  
417/477.1  
D537,845 S \* 3/2007 Shimizu ..... D15/9

(Continued)

**OTHER PUBLICATIONS**

Sorin article, <http://www.sorin.com/products/cardiac-surgery/perfusion/hlm/s5>, printed on Jun. 13, 2015, 11 pages.

(Continued)

*Primary Examiner* — Ralf Seifert

(74) *Attorney, Agent, or Firm* — Wesley Scott Ashton;  
Kirk Swenson

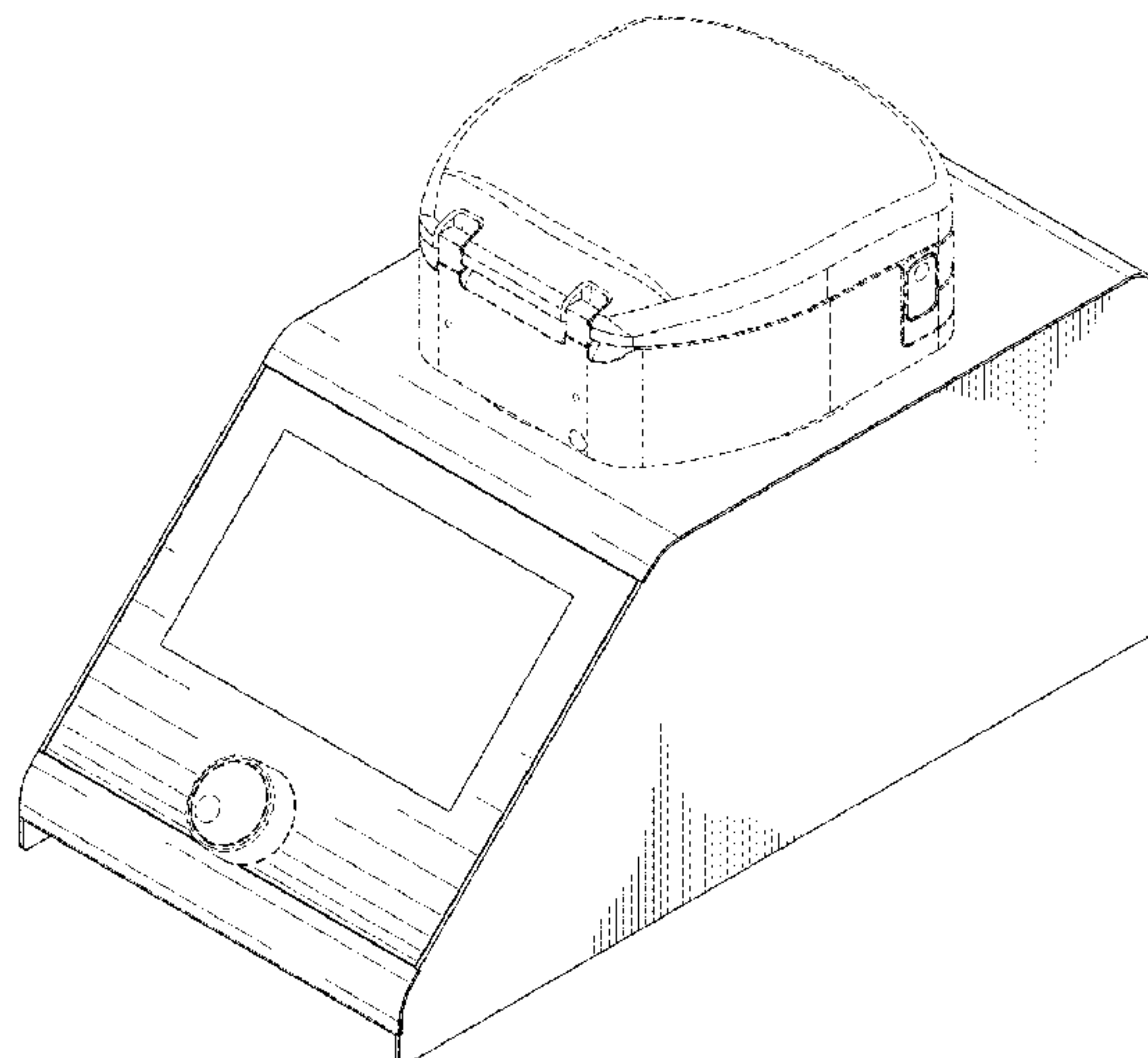
(57) **CLAIM**

The ornamental design for a roller pump, as shown and described.

**DESCRIPTION**

FIG. 1 is an oblique perspective view of the roller pump of this disclosure.  
FIG. 2 is a front view of the roller pump of this disclosure.  
FIG. 3 is a rear view of the roller pump of this disclosure.  
FIG. 4 is a side view of the right-hand side of the roller pump of this disclosure.  
FIG. 5 is a side view of the left-hand side of the roller pump of this disclosure.  
FIG. 6 is a plan view of the roller pump of this disclosure; and,  
FIG. 7 is a bottom view of the roller pump of this disclosure.  
The broken line showing of elements is included for the purpose of illustrating environmental matter and forms no part of the claimed design.

**1 Claim, 7 Drawing Sheets**



(56)

**References Cited**

U.S. PATENT DOCUMENTS

7,252,485 B2 \* 8/2007 Ito ..... F04B 43/1253  
417/477.3  
D573,608 S \* 7/2008 Chan ..... D15/7  
D619,241 S \* 7/2010 Olsson ..... D24/107  
D641,383 S \* 7/2011 Gruber ..... D15/7  
D642,203 S \* 7/2011 Yoshimura ..... D15/9  
D648,352 S \* 11/2011 Hsiao ..... D15/7  
D712,435 S \* 9/2014 Koderu ..... D15/7  
D735,319 S \* 7/2015 Sabin ..... D24/111  
D735,865 S \* 8/2015 Nishimura ..... D24/164  
D739,026 S \* 9/2015 Anger ..... D24/164  
2014/0127063 A1 5/2014 Petersen et al.

OTHER PUBLICATIONS

Hessel, Eugene A., "Circuitry and Cannulation Techniques", Chapter 5, Cardiopulmonary Bypass: Principles and Practices, edited by Glenn P. Gravlee, 3rd edition, 2008, pp. 63-65.  
Sorin | S5 System Operating Instructions, Sorin Group Deutschland GmbH, 2006, 2007.

Sorin | S5 Brochure, Sorin Group USA, Inc., 2010.  
MetaVision Perfusion™, A point-of-care clinical information system for perfusionists, Maquet Getinge Group 2015 <<http://www.maquet.com/int/products/metavision-perfusion/>>.  
Heart-Lung Machine HL20 Brochure, Maquet Cardiopulmonary AG 2012.  
"Heart Lung Machine Fundraising." Aug. 18, 2015. Web. Nov. 6, 2015. <<http://www.heartcentreforchildren.com.au/heart-lung-machine-fundraising.html>>.  
Heart-lung machines. surgeryencyclopedia.com. Advameg, Inc. 2015. Web. Nov. 5, 2015. <<http://www.surgeryencyclopedia.com/Fi-La/Heart-Lung-Machines.html>>.  
Machine coeur-poumon HL30. Feb. 21, 2013. Web. Nov. 18, 2015. <<file:///C:/Users/u2002449/Downloads/mes-130225-MachineCoeurPoumonHL30-Maquet.pdf>>.  
Terumo Advanced Perfusion System 1. Terumo Cardiovascular Group. Nov. 2014. Web. Nov. 18, 2015. <[http://www.terumo-cvs.com/doc/848594\\_Terumo-System1\\_Brochure%20\\_Nov2013\\_LowRes\\_Pgs.pdf](http://www.terumo-cvs.com/doc/848594_Terumo-System1_Brochure%20_Nov2013_LowRes_Pgs.pdf)>.  
Product Catalog Jostra HL 20. Maquet Cardiopulmonary AG. Web. Nov. 18, 2015. <[http://glavm.ru/upload/information\\_system\\_18/2/8/7/item\\_287/information\\_items\\_property\\_343.pdf](http://glavm.ru/upload/information_system_18/2/8/7/item_287/information_items_property_343.pdf)>.

\* cited by examiner

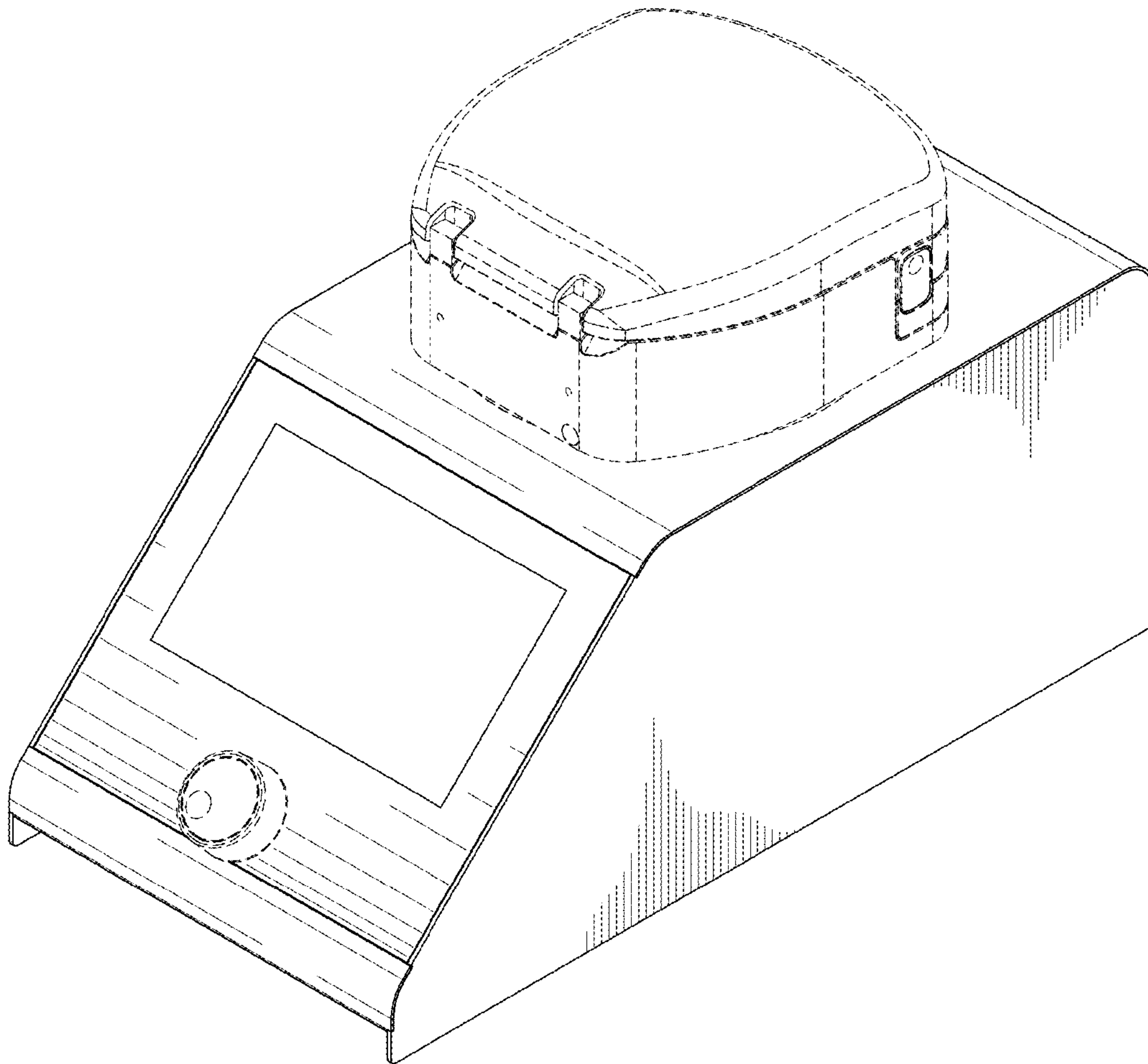


FIG. 1

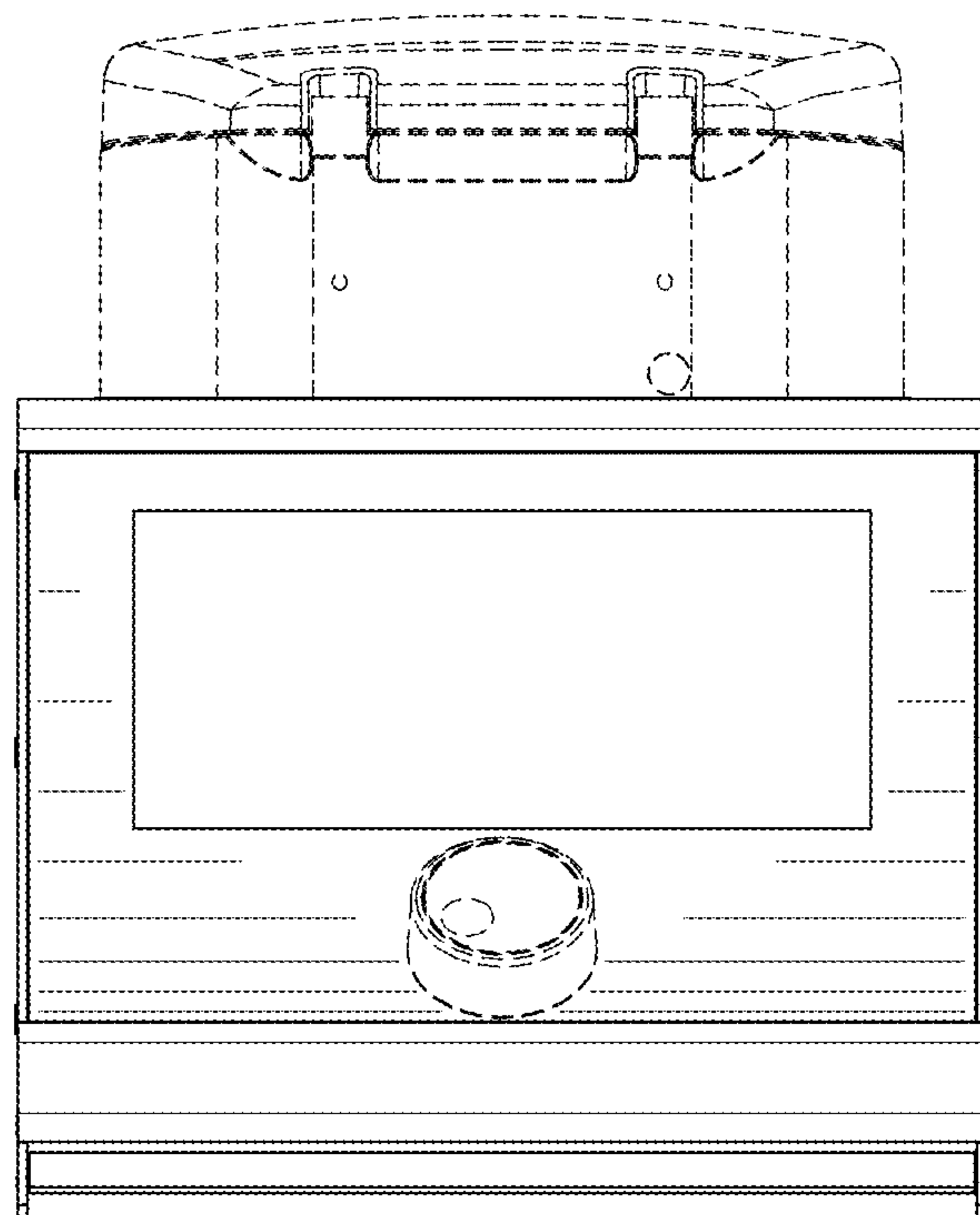


FIG. 2

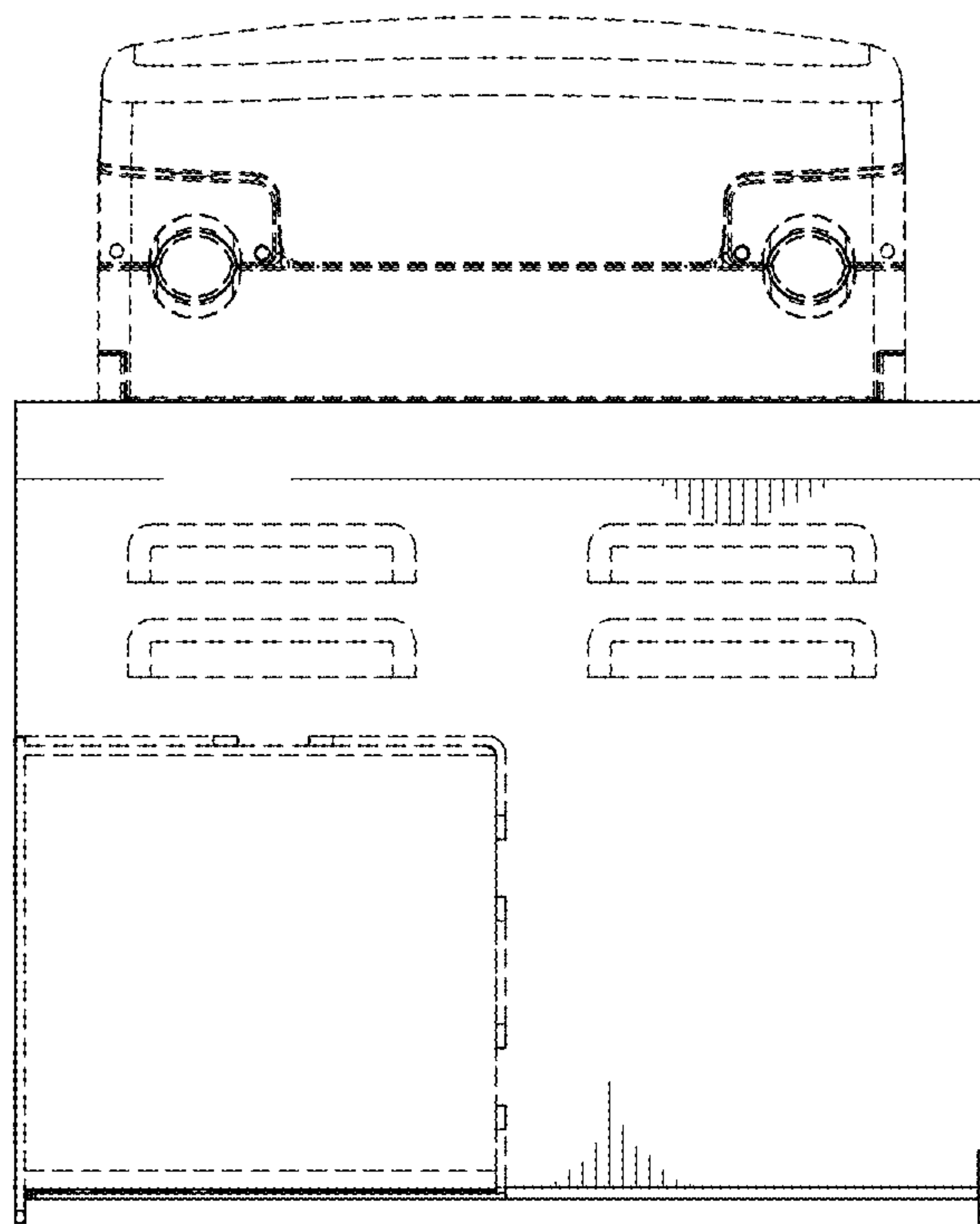


FIG. 3



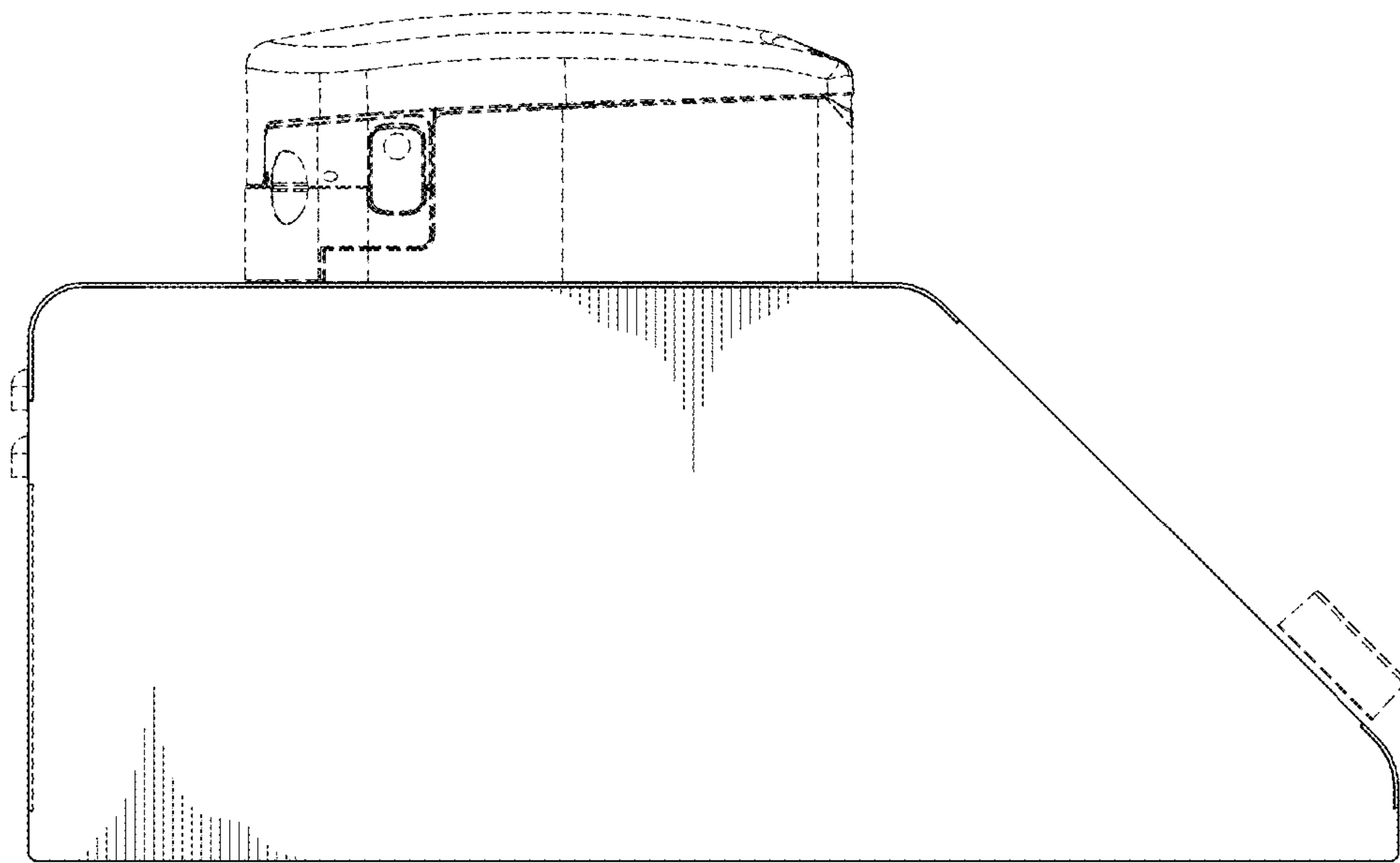


FIG.4

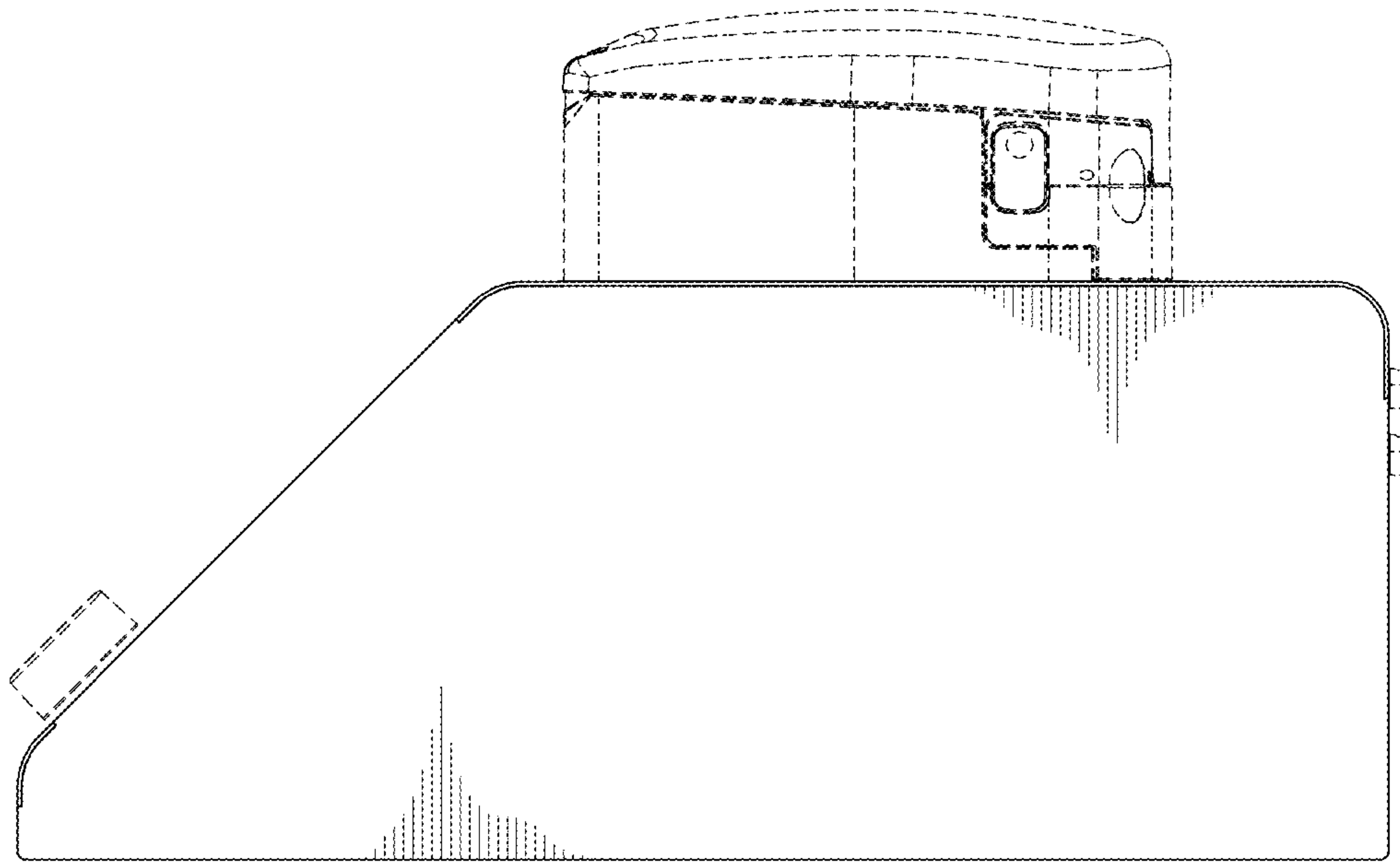


FIG.5

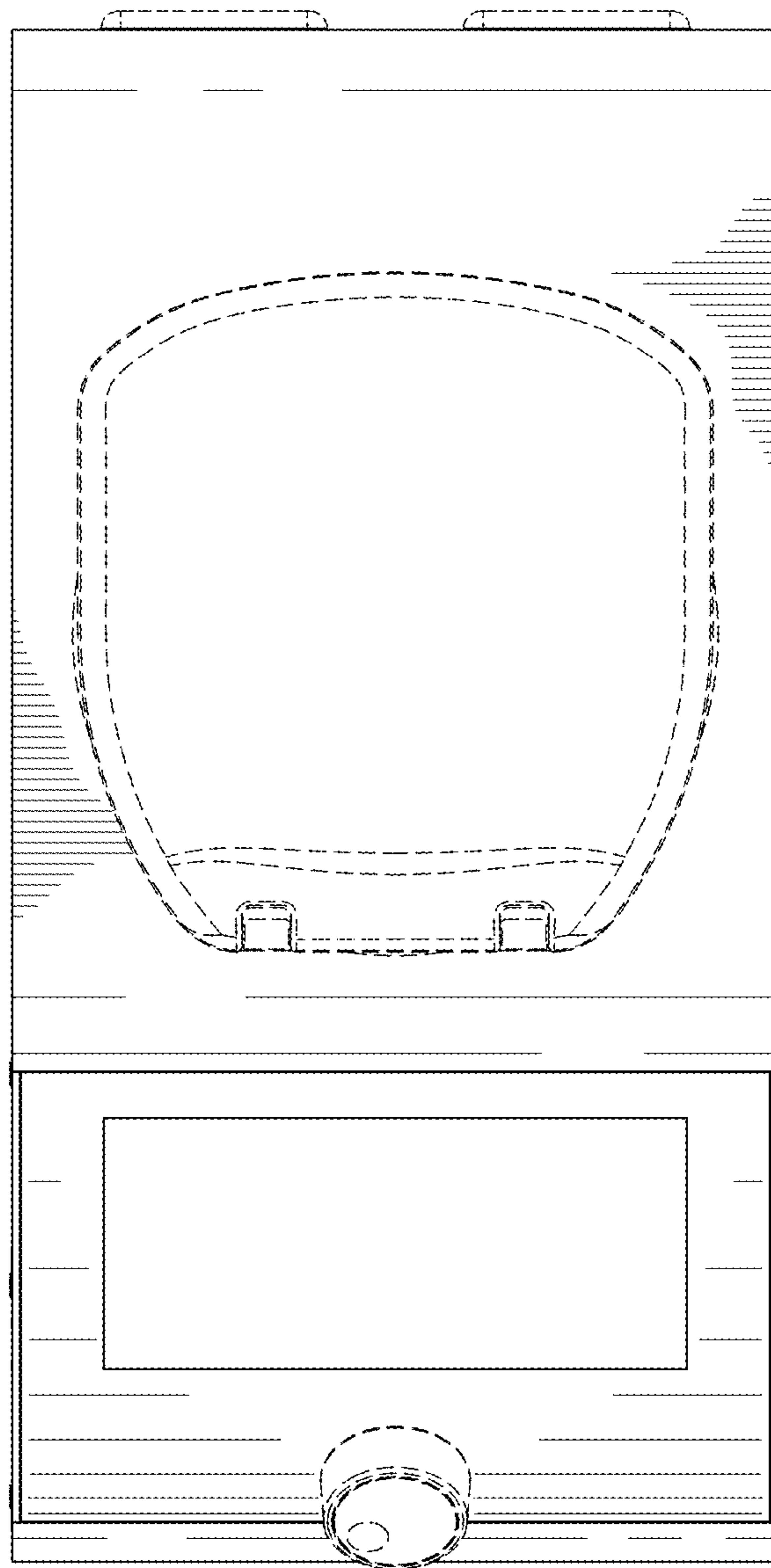


FIG.6



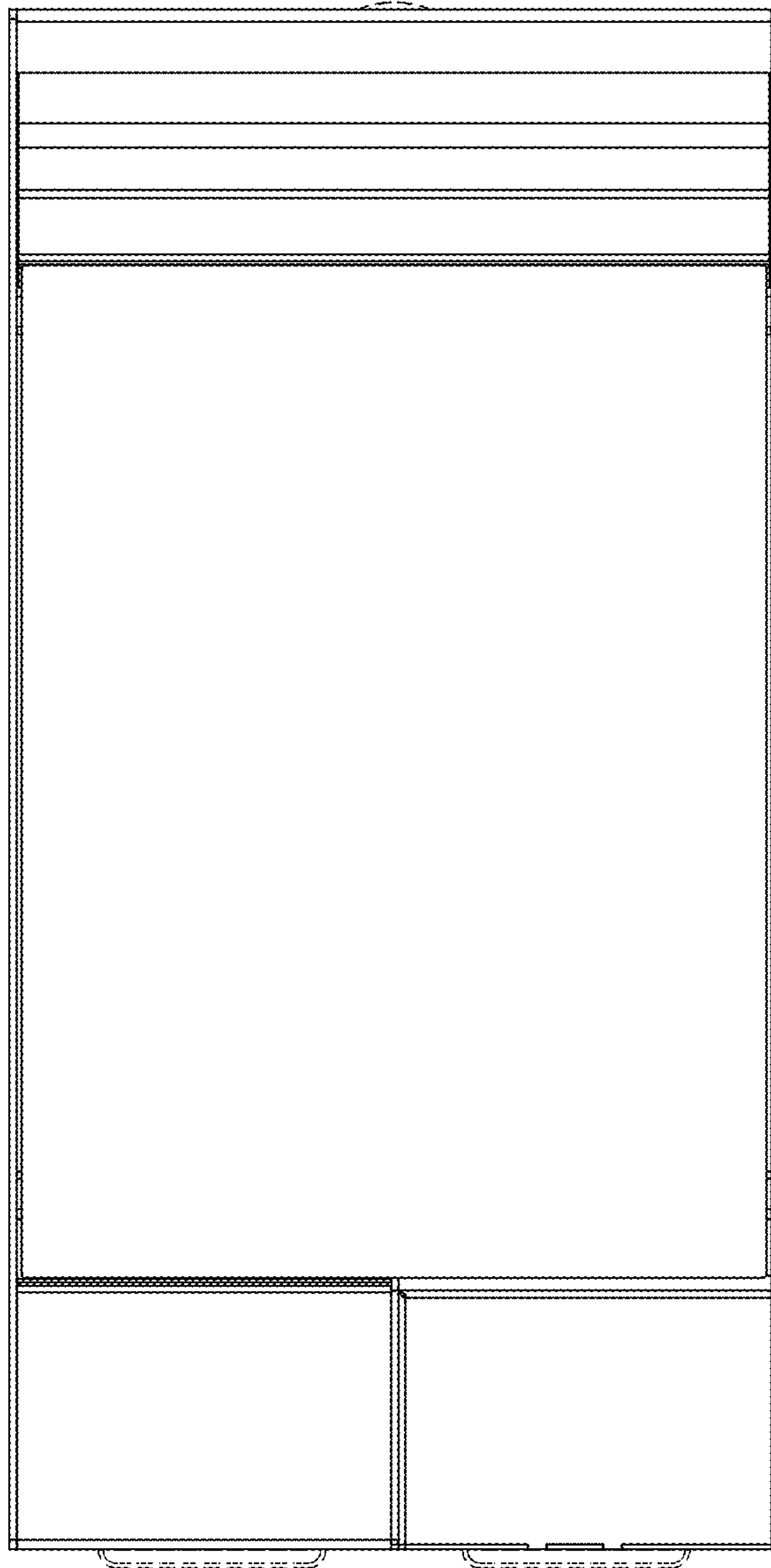


FIG. 7