



US00D768287S

(12) **United States Design Patent**
Gusky et al.

(10) **Patent No.:** **US D768,287 S**
(45) **Date of Patent:** **** Oct. 4, 2016**

- (54) **NASAL INTERFACE BASE**
- (71) Applicant: **inSleep Technologies, LLC**, Weston, FL (US)
- (72) Inventors: **Michael H. Gusky**, Weston, FL (US); **Steven Chance Elliot**, Macomb, MI (US); **Martin W. Kerber**, Eden Prairie, MN (US); **Wayne D. Robens**, Lakeville, MN (US); **Nathaniel V. Tran**, Lakeville, MN (US); **Jeffrey Walter Bentzler**, Playa del Rey, CA (US); **Dennis Lynn Schroeder**, Los Angeles, CA (US); **Stuart Allan Karten**, Venice, CA (US)
- (73) Assignee: **inSleep Technologies, LLC**, Weston, FL (US)
- (**) Term: **15 Years**
- (21) Appl. No.: **29/534,825**
- (22) Filed: **Jul. 31, 2015**

Related U.S. Application Data

- (63) Continuation-in-part of application No. 29/522,925, filed on Apr. 3, 2015, now Pat. No. Des. 757,929.
- (51) **LOC (10) Cl.** **29-02**
- (52) **U.S. Cl.**
USPC **D24/110.1**
- (58) **Field of Classification Search**
USPC D24/108, 110, 110.1, 110.4, 110.5, 127, D24/164
CPC A61M 16/0666; A61M 16/0616; A61M 16/0622; A61M 16/06; A61M 2210/0618
See application file for complete search history.

(56) **References Cited**

U.S. PATENT DOCUMENTS

4,156,426 A 5/1979 Gold

4,782,832 A 11/1988 Trimble et al.
4,919,128 A 4/1990 Kopola et al.

(Continued)

FOREIGN PATENT DOCUMENTS

EP 0747078 A2 12/1996
WO 2004096332 A1 11/2004

(Continued)

OTHER PUBLICATIONS

International Search Report and Written Opinion dated Feb. 29, 2012 issued by the European Intellectual Property Office as International Searching Authority in connection with International Application No. PCT/EP2011/068685 (11 pages).

(Continued)

Primary Examiner — Barbara Fox
Assistant Examiner — Lilyana Bekic
(74) *Attorney, Agent, or Firm* — Kevin P. Crosby; GrayRobinson, P.A.

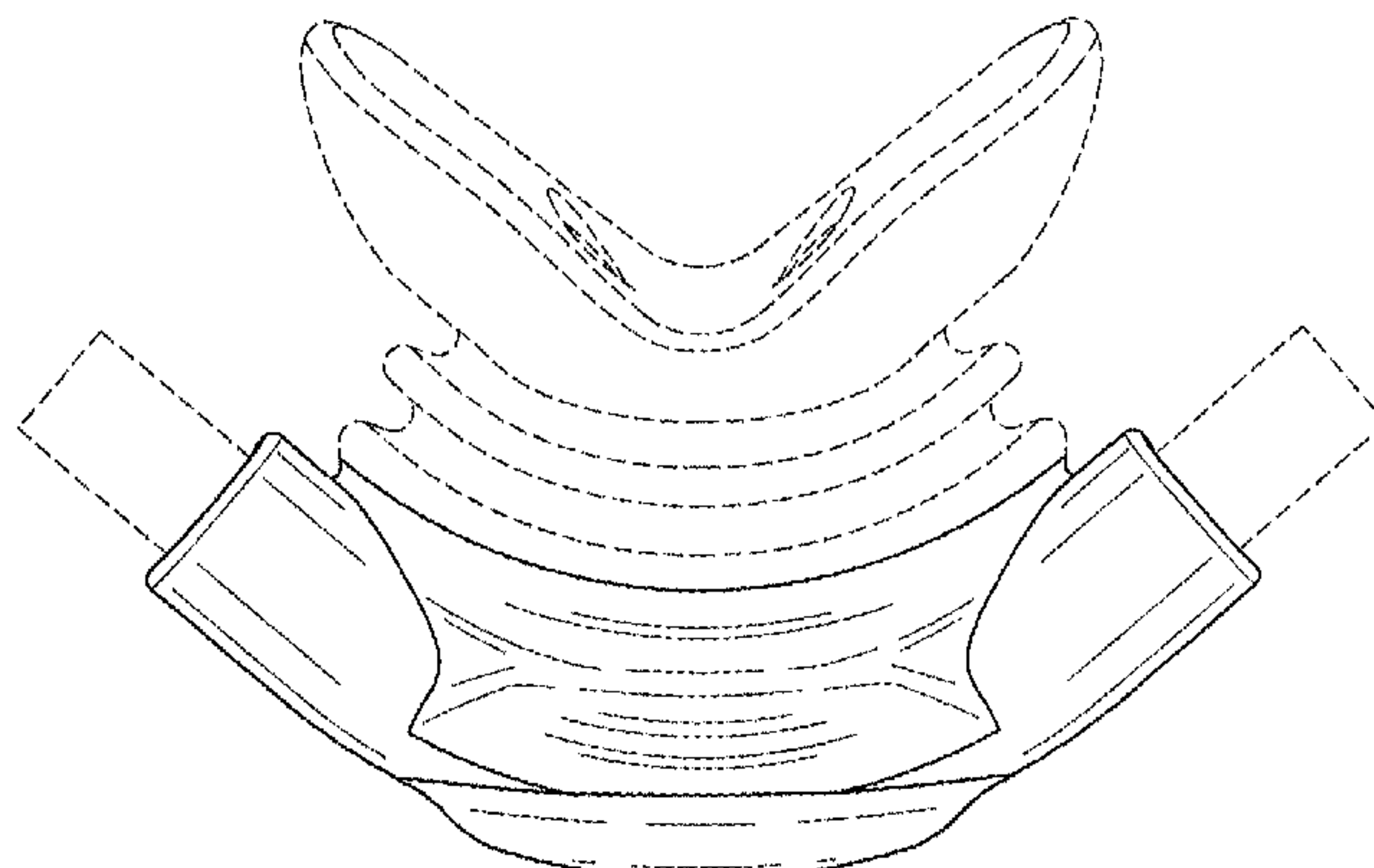
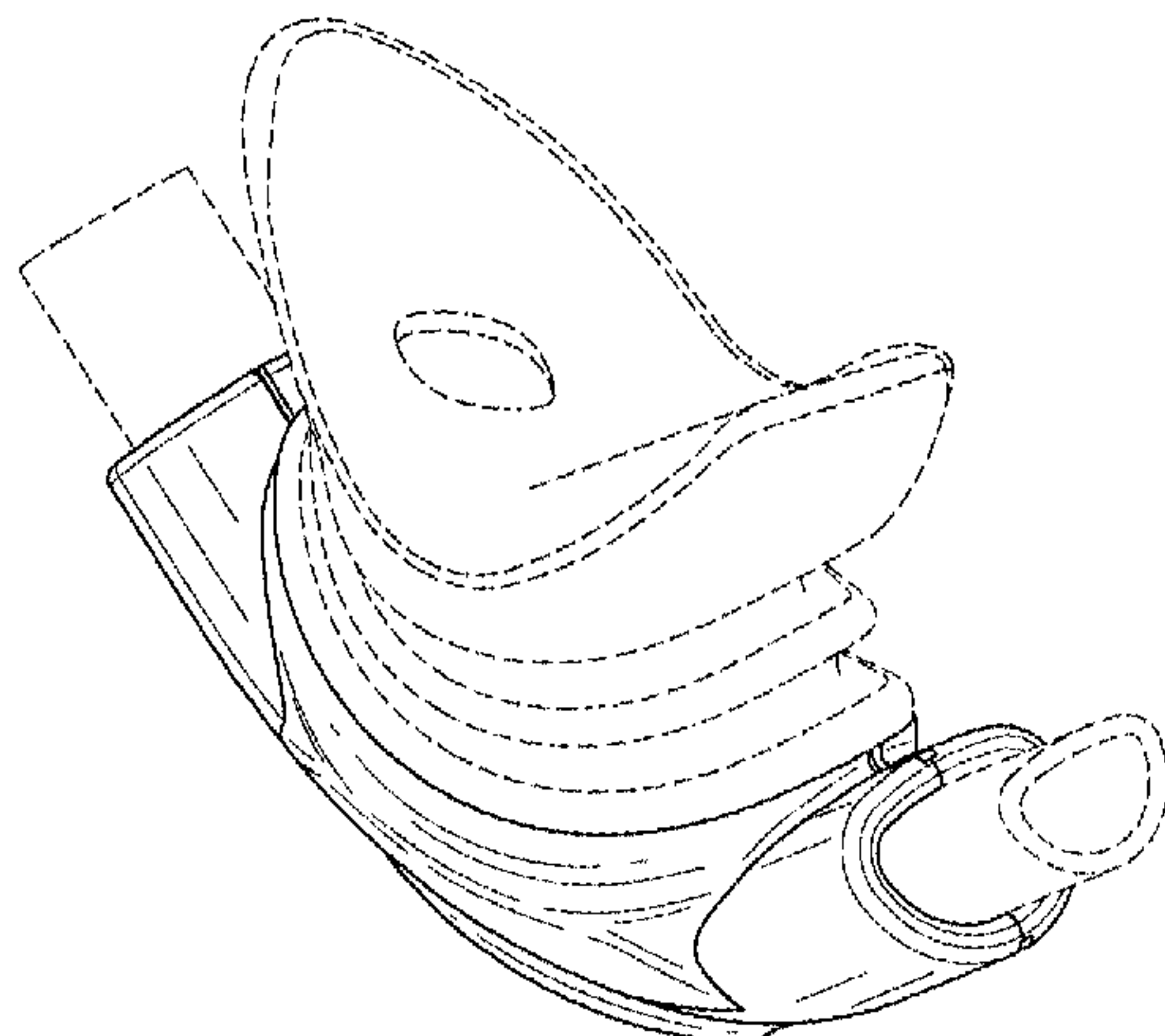
(57) **CLAIM**

The ornamental design for a nasal interface base, as shown and described.

DESCRIPTION

FIG. 1 is a top rear left side perspective view a nasal interface base showing our design in a position of use. FIG. 2 is a front elevational view thereof. FIG. 3 is a rear elevational view thereof. FIG. 4 is a right side elevational view thereof. FIG. 5 is a left side elevational view thereof. FIG. 6 is top plan view thereof; and, FIG. 7 is a bottom plan view thereof. The broken lines in the drawings illustrate the environment of the nasal interface base and form no part of the claimed design.

1 Claim, 4 Drawing Sheets



(56)

References Cited

U.S. PATENT DOCUMENTS

5,243,971 A 9/1993 Sullivan et al.
 5,724,965 A 3/1998 Handke et al.
 6,044,844 A 4/2000 Kwok et al.
 6,119,694 A 9/2000 Correa et al.
 6,135,109 A 10/2000 Blasdel et al.
 6,247,470 B1 6/2001 Ketchedjian
 6,431,172 B1 8/2002 Bordewick
 6,595,215 B2 7/2003 Wood
 6,669,712 B1 12/2003 Cardoso
 7,059,328 B2 6/2006 Wood
 D535,742 S * 1/2007 VonDohlen D24/110.4
 7,201,169 B2 4/2007 Wilkie et al.
 7,210,481 B1 5/2007 Lovell et al.
 7,237,551 B2 7/2007 Ho et al.
 7,302,950 B2 12/2007 Berthon-Jones et al.
 7,318,437 B2 1/2008 Gunaratnam et al.
 7,461,656 B2 12/2008 Gunaratnam et al.
 D588,258 S 3/2009 Judson et al.
 7,523,754 B2 4/2009 Lithgow et al.
 7,556,043 B2 7/2009 Ho et al.
 D631,542 S 1/2011 DeGross et al.
 7,874,293 B2 1/2011 Gunaratnam et al.
 D641,467 S 7/2011 Amann
 D662,200 S * 6/2012 Eghbal D24/110.1
 8,286,636 B2 10/2012 Gunaratnam et al.
 8,375,944 B2 2/2013 Kwok
 D683,446 S 5/2013 Eves et al.
 D687,539 S 8/2013 Matula et al.
 D691,257 S 10/2013 Siew et al.
 D692,554 S 10/2013 Siew et al.
 8,573,201 B2 11/2013 Rummery et al.
 D696,396 S 12/2013 Eves et al.
 8,636,007 B2 1/2014 Rummery et al.
 D717,942 S 11/2014 Neff et al.
 8,985,115 B2 3/2015 Baecke et al.
 D729,381 S 5/2015 Himes et al.
 9,078,989 B2 * 7/2015 Genger A61M 16/0666
 D742,501 S * 11/2015 Chen D24/110
 D745,139 S * 12/2015 Chen D24/110
 D749,205 S * 2/2016 Chen D24/110
 2003/0172936 A1 9/2003 Wilke et al.
 2004/0226566 A1 11/2004 Gunaratnam et al.
 2004/0244804 A1 12/2004 Olsen et al.
 2005/0028822 A1 2/2005 Sleeper et al.
 2005/0199242 A1 * 9/2005 Matula A61M 16/06
 128/207.13
 2005/0205096 A1 9/2005 Matula et al.
 2006/0130844 A1 6/2006 Ho et al.
 2006/0189961 A1 8/2006 Miyahara
 2006/0283461 A1 12/2006 Lubke et al.
 2007/0062539 A1 3/2007 Gunaratnam et al.
 2007/0089749 A1 4/2007 Ho et al.
 2007/0119454 A1 5/2007 Berthon-Jones et al.
 2007/0125387 A1 6/2007 Zollinger et al.
 2007/0137653 A1 6/2007 Wood
 2008/0047560 A1 2/2008 Veliss et al.
 2008/0053446 A1 3/2008 Sleeper et al.
 2008/0060649 A1 3/2008 Veliss et al.
 2008/0092904 A1 4/2008 Gunaratnam et al.
 2008/0092905 A1 * 4/2008 Gunaratnam A61M 16/0666
 128/207.18
 2008/0121235 A1 5/2008 Ging et al.
 2008/0196728 A1 8/2008 Ho
 2008/0289633 A1 11/2008 Kwok et al.
 2009/0014008 A1 1/2009 Tashishia et al.
 2009/0044808 A1 2/2009 Guney et al.
 2009/0095298 A1 4/2009 Gunaratnam et al.
 2009/0145429 A1 6/2009 Ging et al.
 2009/0173349 A1 7/2009 Hernandez et al.
 2009/0223518 A1 9/2009 Kwok et al.
 2010/0000534 A1 1/2010 Kooji et al.
 2010/0018534 A1 1/2010 Veliss et al.
 2010/0132716 A1 * 6/2010 Selvarajan A61M 16/0683
 128/207.18
 2010/0229868 A1 9/2010 Rummery et al.

2010/0229872 A1 9/2010 Ho
 2010/0252042 A1 10/2010 Kapust et al.
 2010/0282265 A1 11/2010 Melidis et al.
 2010/0307502 A1 12/2010 Rummery et al.
 2010/0313891 A1 12/2010 Veliss et al.
 2010/0319700 A1 12/2010 Ng et al.
 2011/0155139 A1 6/2011 Ho et al.
 2011/0253147 A1 10/2011 Gusky et al.
 2012/0067349 A1 3/2012 Barlow et al.
 2012/0097156 A1 4/2012 Bowman et al.
 2012/0111332 A1 5/2012 Gusky et al.
 2012/0138060 A1 6/2012 Barlow
 2012/0138061 A1 6/2012 Dravitzki et al.
 2012/0152255 A1 6/2012 Barlow et al.
 2012/0222680 A1 9/2012 Eves et al.
 2012/0240932 A1 9/2012 Gusky et al.
 2012/0266890 A1 10/2012 Baecke et al.
 2012/0325205 A1 12/2012 Allum et al.
 2013/0008450 A1 1/2013 Baecke et al.
 2013/0220327 A1 8/2013 Barlow et al.
 2014/0109912 A1 4/2014 Ho et al.
 2014/0158133 A1 6/2014 Acosta
 2014/0158136 A1 6/2014 Romagnoli et al.
 2014/0276177 A1 9/2014 Brambilla et al.
 2014/0299134 A1 10/2014 Matula
 2015/0151071 A1 * 6/2015 Von Moger A61M 39/1055
 128/202.27
 2015/0320960 A1 11/2015 Barlow et al.
 2016/0008565 A1 1/2016 Wood
 2016/0095996 A1 * 4/2016 Gusky A61M 16/0666
 128/205.25

FOREIGN PATENT DOCUMENTS

WO 2008100860 A2 8/2008
 WO 2010139014 A1 12/2010
 WO 2012061783 A1 5/2012

OTHER PUBLICATIONS

International Search Report and Written Opinion dated May 10, 2013 issued by the European Intellectual Property Office as International Searching Authority in connection with International Application No. PCT/EP2011/068685 (7 pages).
 U.S. Patent and Trademark Office; Office Action dated Nov. 1, 2013, as entered in co-pending, related or counterpart U.S. Appl. No. 13/280,650 (8 pages).
 Amendment and Response dated Jan. 15, 2014, as filed in co-pending, related or counterpart U.S. Appl. No. 13/280,650 (21 pages).
 U.S. Patent and Trademark Office; Final Office Action dated May 1, 2014, as entered in co-pending, related or counterpart U.S. Appl. No. 13/280,650 (10 pages).
 Amendment and Response dated Jul. 17, 2014 as filed in co-pending, related or counterpart U.S. Appl. No. 13/280,650 (17 pages).
 Advisory Action Before the filing of an Appeal Brief dated Aug. 4, 2014, as entered in co-pending, related or counterpart U.S. Appl. No. 13/280,650 (10 pages).
 Submission in Support of a Request for Continued Examination Response dated Aug. 15, 2014 as filed in co-pending, related or counterpart U.S. Appl. No. 13/280,650 (8 pages).
 U.S. Patent and Trademark Office; Office Action dated Sep. 30, 2014, as entered in co-pending, related or counterpart U.S. Appl. No. 13/280,650 (11 pages).
 Amendment and Response dated Jan. 5, 2015 as filed in co-pending, related or counterpart U.S. Appl. No. 13/280,650 (7 pages).
 U.S. Patent and Trademark Office; Notice of Allowability dated Feb. 12, 2015, as entered in related or counterpart U.S. Appl. No. 13/280,750 (7 pages).
 U.S. Patent and Trademark Office; Office Action dated Sep. 21, 2015, as entered in co-pending, related or counterpart U.S. Appl. No. 14/662,798 (9 pages).

(56)

References Cited

OTHER PUBLICATIONS

U.S. Patent and Trademark Office; Office Action dated Jul. 17, 2014, as entered in co-pending, related or counterpart U.S. Appl. No. 13/289,178 (23 pages).

Amendment and Response dated Oct. 1, 2014 as filed in co-pending, related or counterpart U.S. Appl. No. 13/289,178 (12 pages).

U.S. Patent and Trademark Office; Final Office Action dated Mar. 17, 2015, as entered in co-pending, related or counterpart U.S. Appl. No. 13/289,178 (14 pages).

Request for Continued Examination, Amendment and Response dated Aug. 17, 2015 as filed in co-pending, related or counterpart U.S. Appl. No. 13/289,178 (8 pages).

U.S. Patent and Trademark Office; Notice of Allowability dated Dec. 10, 2015, as entered in related or counterpart U.S. Appl. No. 29/534,837 (5 pages).

U.S. Patent and Trademark Office; Final Office Action dated Oct. 5, 2015, as entered in co-pending, related or counterpart U.S. Appl. No. 13/289,178 (10 pages).

Amendment and Response dated Mar. 7, 2016 as filed in co-pending, related or counterpart U.S. Appl. No. 13/289,178 (5 pages).

U.S. Patent and Trademark Office; Notice of Allowability dated Apr. 5, 2016, as entered in related or counterpart U.S. Appl. No. 29/534,837 (2 pages).

* cited by examiner

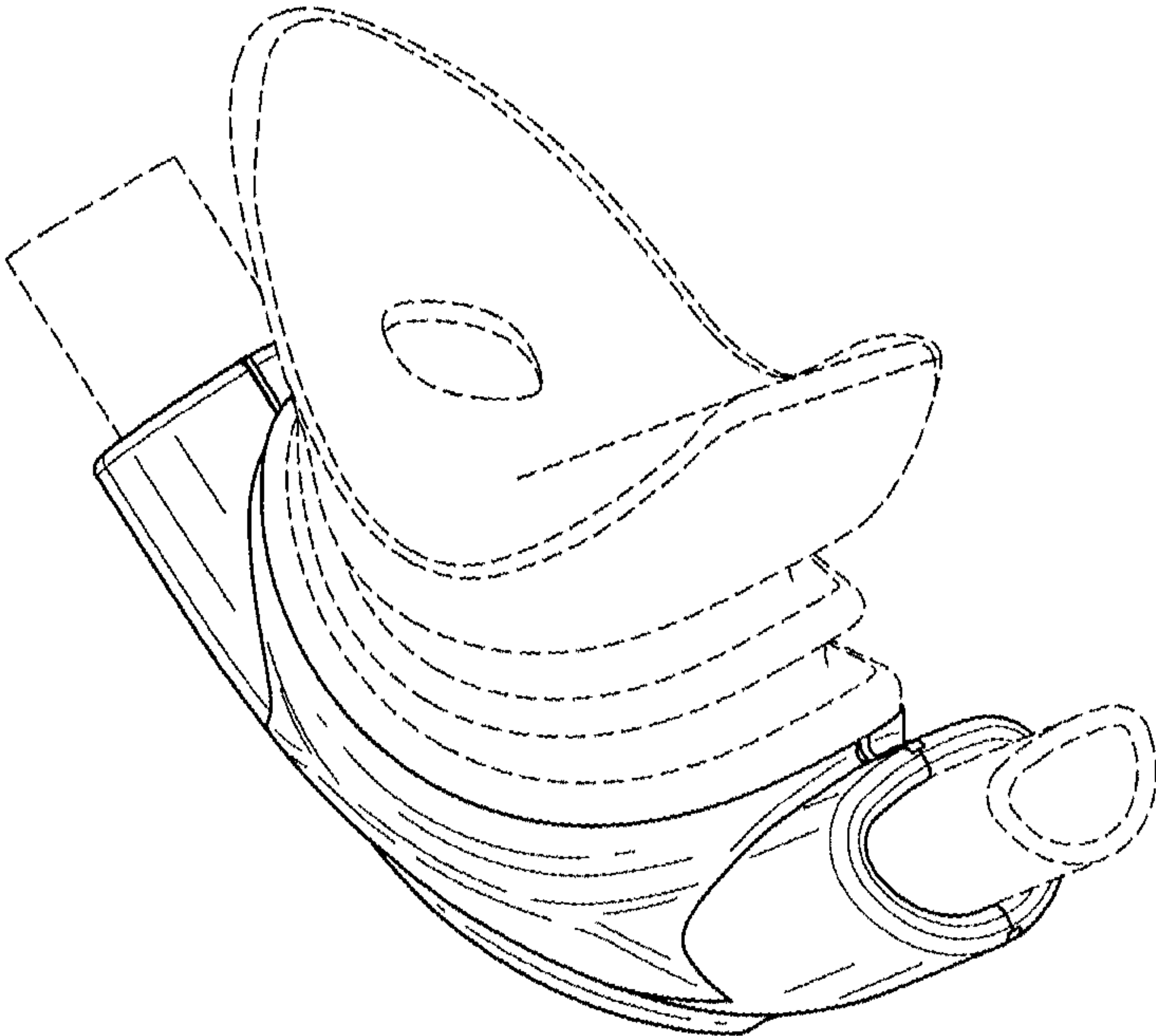


FIG. 1

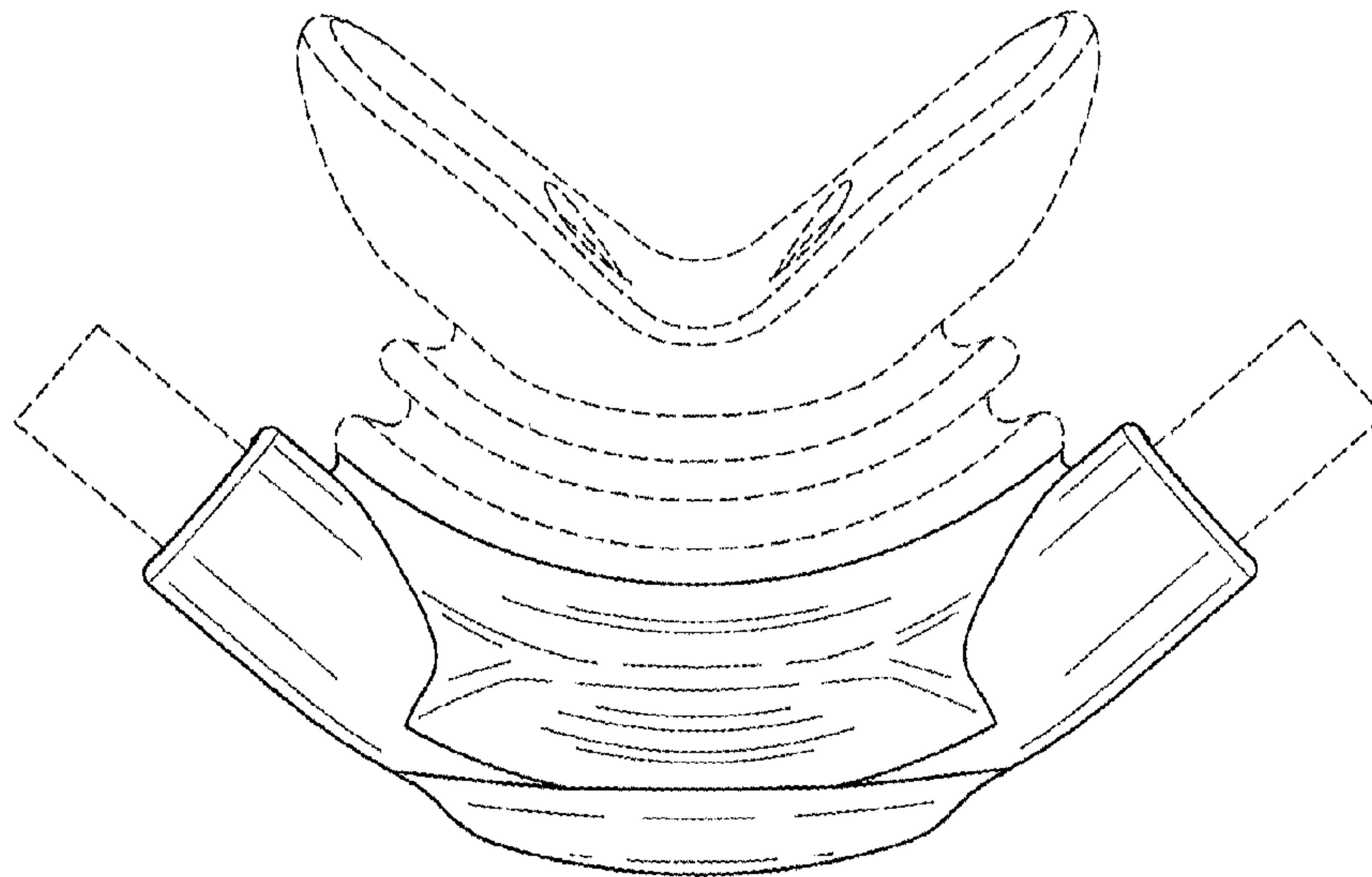


FIG. 2

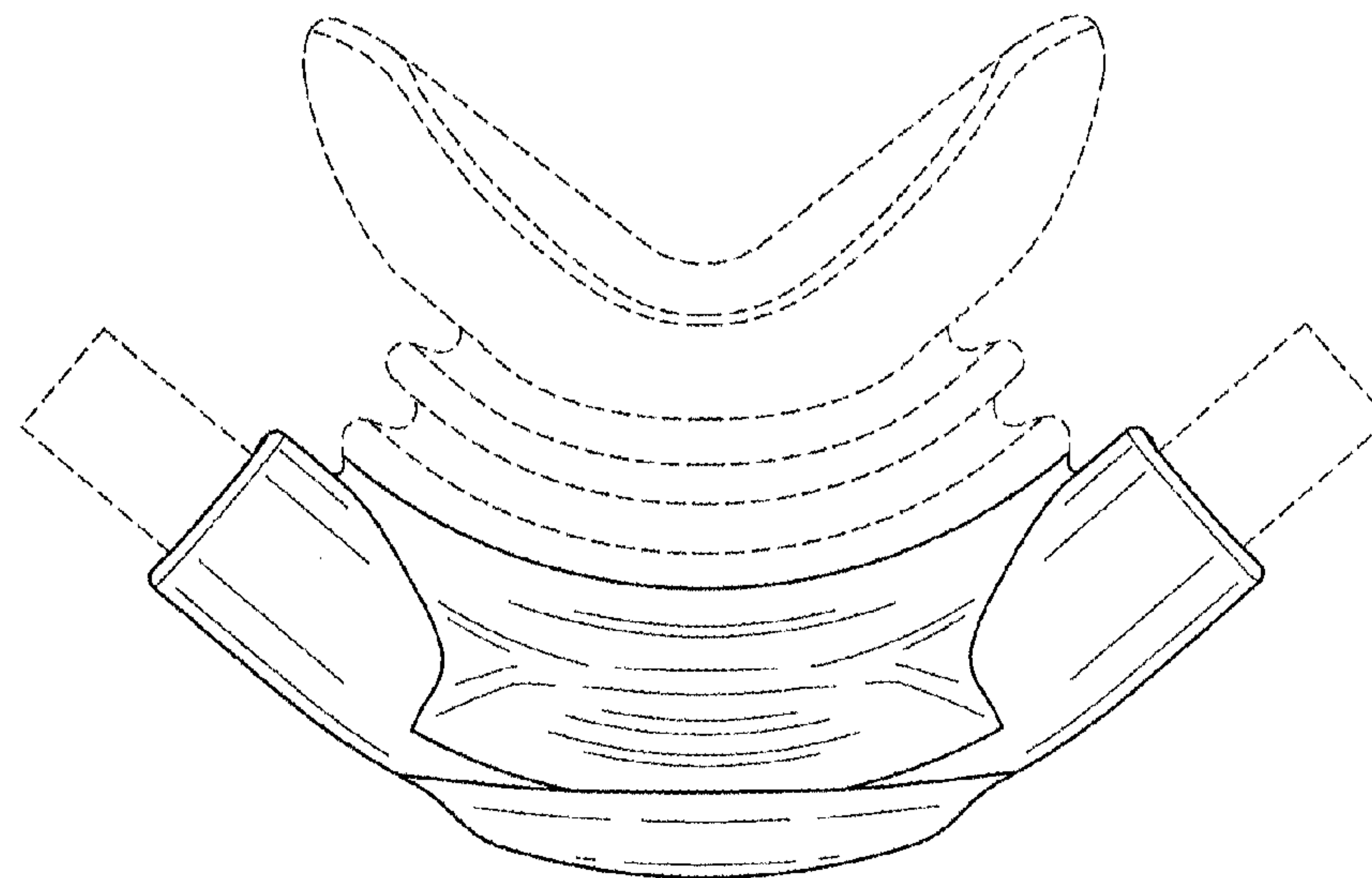


FIG. 3

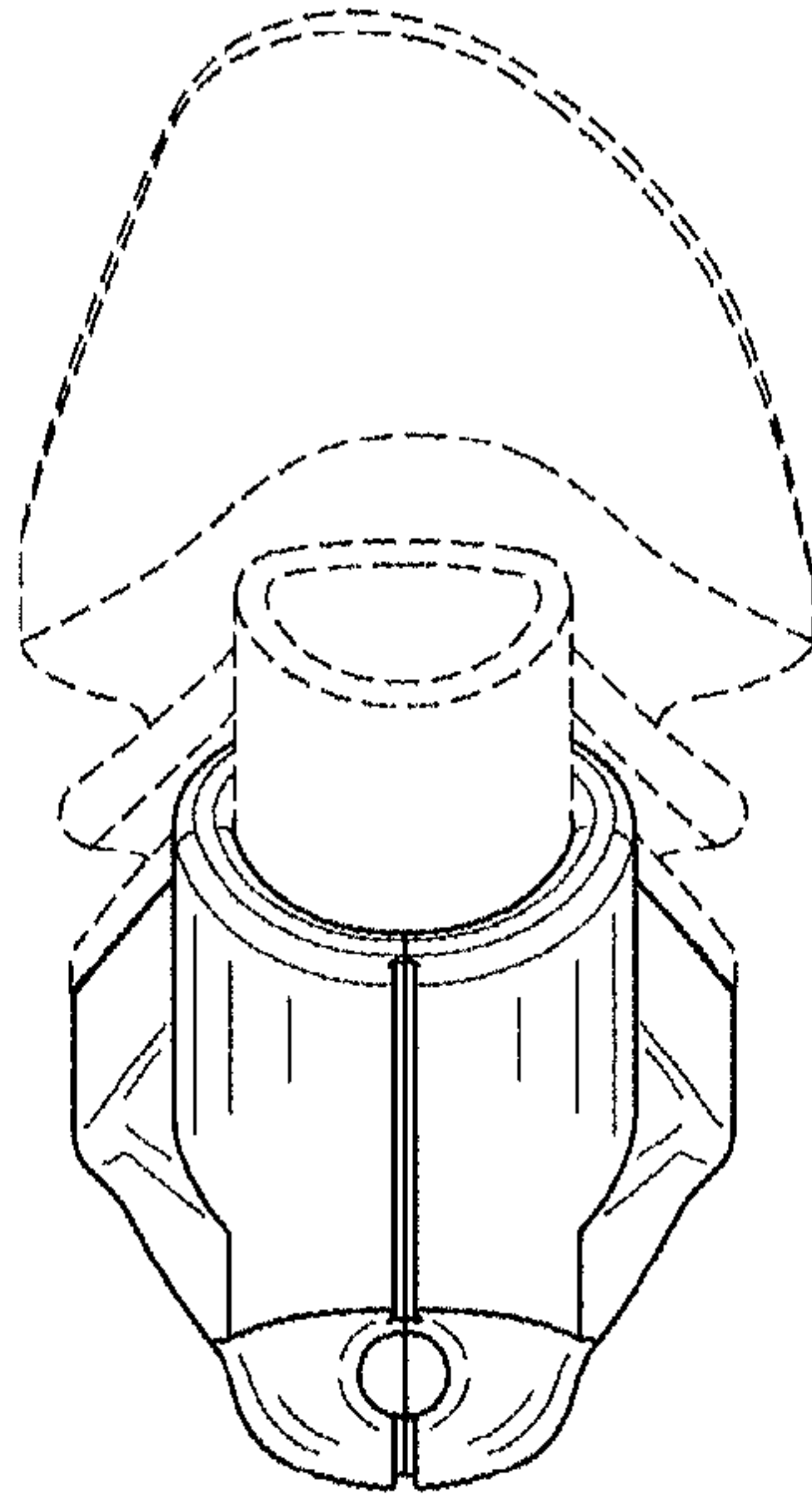


FIG. 4

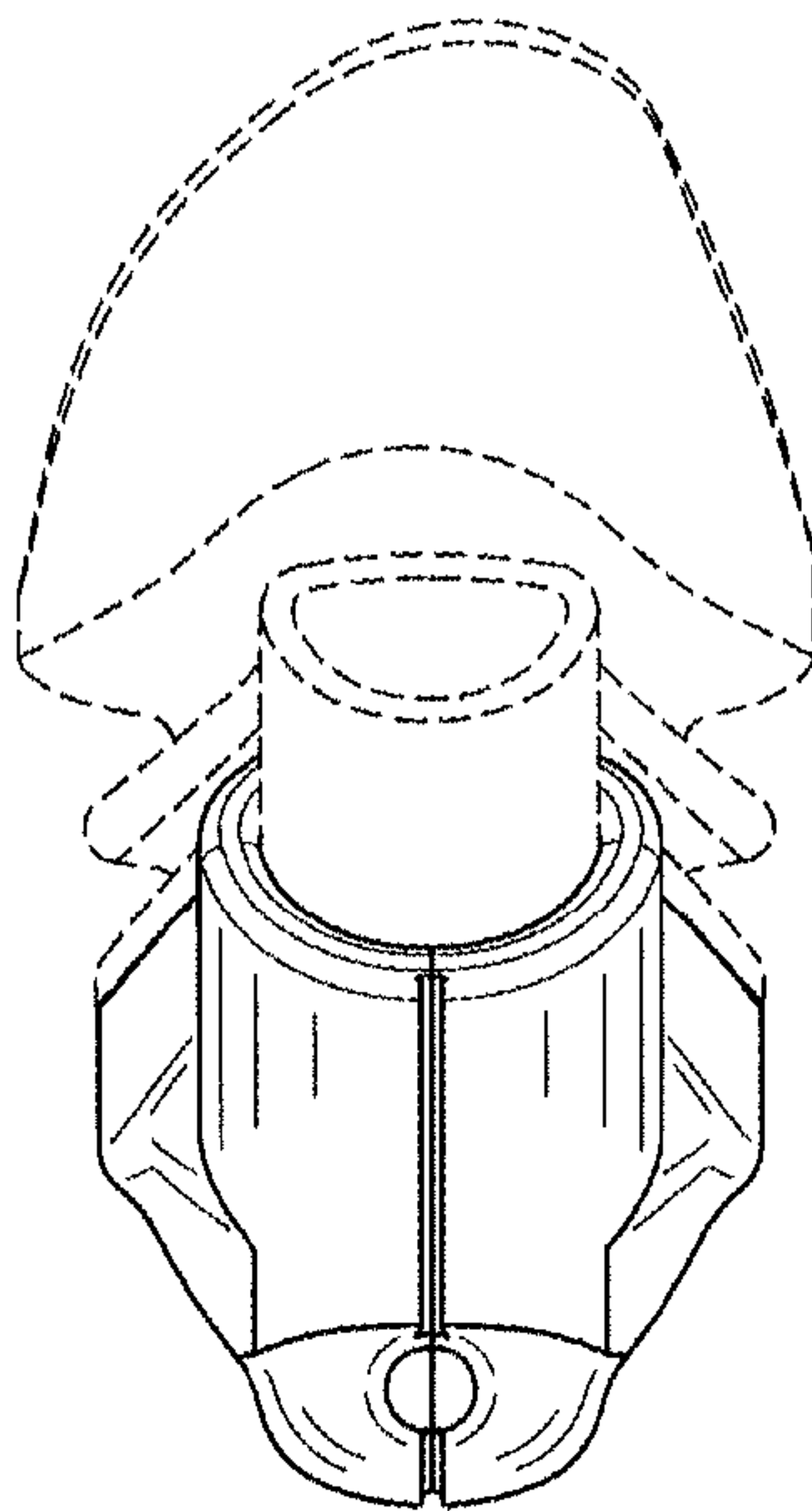


FIG. 5

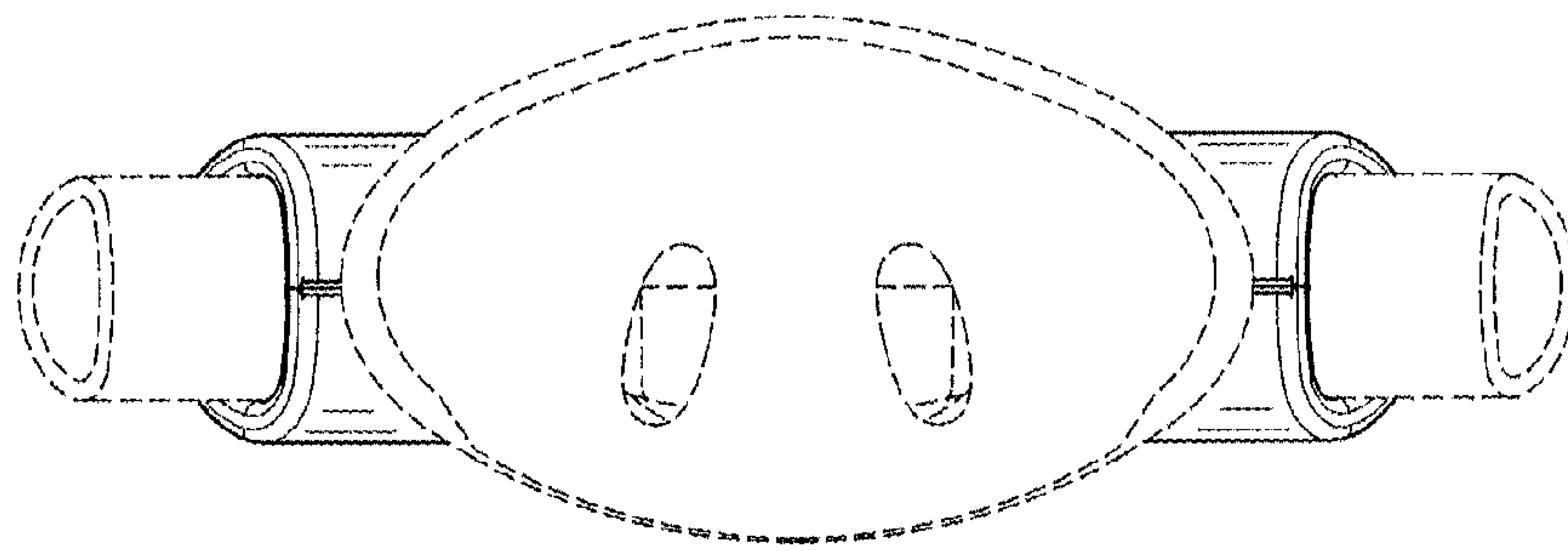


FIG. 6

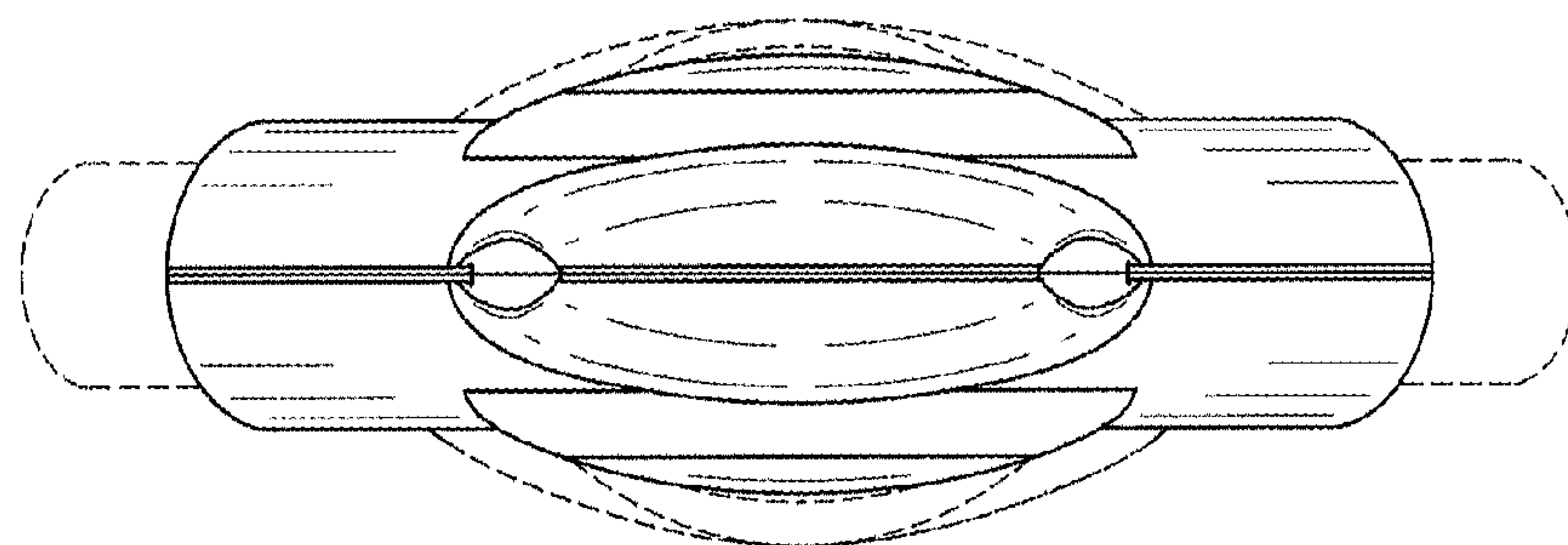


FIG. 7