



US00D768285S

(12) **United States Design Patent** (10) **Patent No.:** **US D768,285 S**
Reed (45) **Date of Patent:** **** Oct. 4, 2016**

(54) **RESPIRATORY APPARATUS**

(71) Applicant: **George A Reed**, West Linn, OR (US)

(72) Inventor: **George A Reed**, West Linn, OR (US)

(**) Term: **15 Years**

(21) Appl. No.: **29/529,207**

(22) Filed: **Jun. 4, 2015**

(51) **LOC (10) Cl.** **29-02**

(52) **U.S. Cl.**
USPC **D24/110**

(58) **Field of Classification Search**
USPC D24/110-110.1, 110.4-110.5, 127,
D24/164; D29/108
CPC A61M 15/00; A61M 15/0065; A61M
15/0091; A61M 15/0021; A61M 15/0026;
A61M 11/00; A61M 11/02; A61M 11/04;
A61M 11/005; A61M 15/0085; A61M 16/00
See application file for complete search history.

(56) **References Cited**

U.S. PATENT DOCUMENTS

D32,151 S *	1/1900	Stevens	D24/110
D214,605 S *	7/1969	Best	D24/110
D214,972 S *	8/1969	Katerndahl	D24/110
3,544,273 A *	12/1970	McConnaughey	G01N 33/4972 422/85	
D266,695 S *	10/1982	Tramml	D21/411
4,790,305 A *	12/1988	Zoltan	A61M 15/0086 128/200.23
D331,281 S *	11/1992	Levine	D24/110
5,522,380 A *	6/1996	Dwork	A61M 15/0086 128/200.23
5,924,994 A *	7/1999	Harbrecht	A61B 5/087 600/532

D489,129 S *	4/2004	King	D24/110
D659,835 S *	5/2012	Benson	D24/164
2008/0078383 A1 *	4/2008	Richards	A61M 16/08 128/203.12
2013/0267864 A1 *	10/2013	Addington	A61B 5/4839 600/538
2014/0373831 A1 *	12/2014	Culbertson	B65B 7/16 128/200.21
2015/0032020 A1 *	1/2015	Kirsch	A61M 16/0003 600/543
2015/0068522 A1 *	3/2015	Chang	A61M 15/0021 128/203.12
2015/0359978 A1 *	12/2015	Egerstrom	A61M 5/3146 128/200.14
2016/0030692 A1 *	2/2016	Burk	A61M 16/0093 128/200.14

* cited by examiner

Primary Examiner — Barbara Fox

Assistant Examiner — Lilyana Bekic

(74) *Attorney, Agent, or Firm* — Mark S Hubert

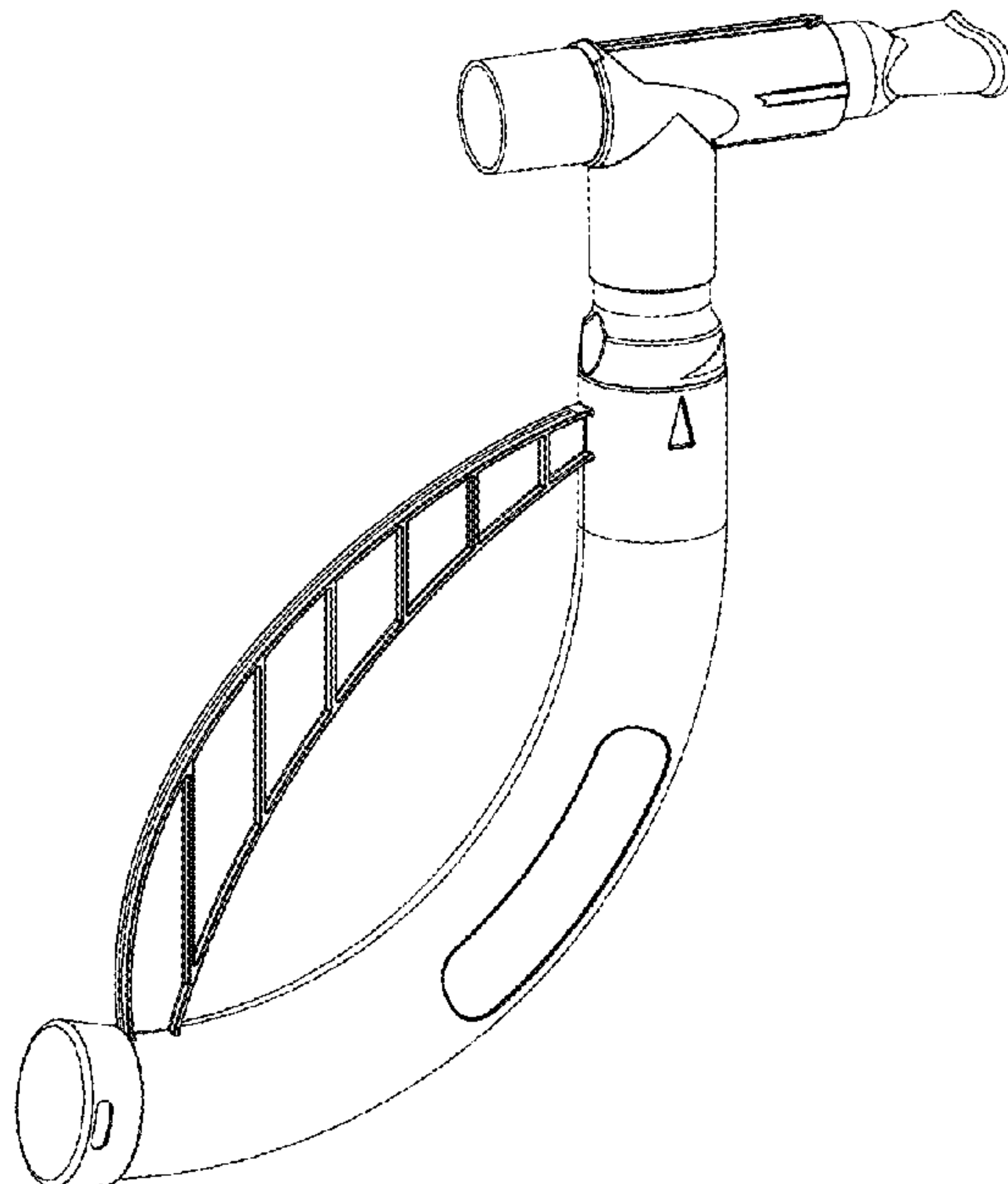
(57) **CLAIM**

I claim the ornamental design for a respiratory apparatus, as shown and described.

DESCRIPTION

FIG. 1 is a left side perspective view of the respiratory apparatus showing my new design;
FIG. 2 is a right side perspective view of the respiratory apparatus showing my new design;
FIG. 3 is a top view of the respiratory apparatus;
FIG. 4 is a left-side view of the respiratory apparatus;
FIG. 5 is a front view of the respiratory apparatus;
FIG. 6 is a right-side view of the respiratory apparatus;
FIG. 7 is a rear view of the respiratory apparatus; and,
FIG. 8 is a bottom view of the respiratory apparatus.

1 Claim, 3 Drawing Sheets



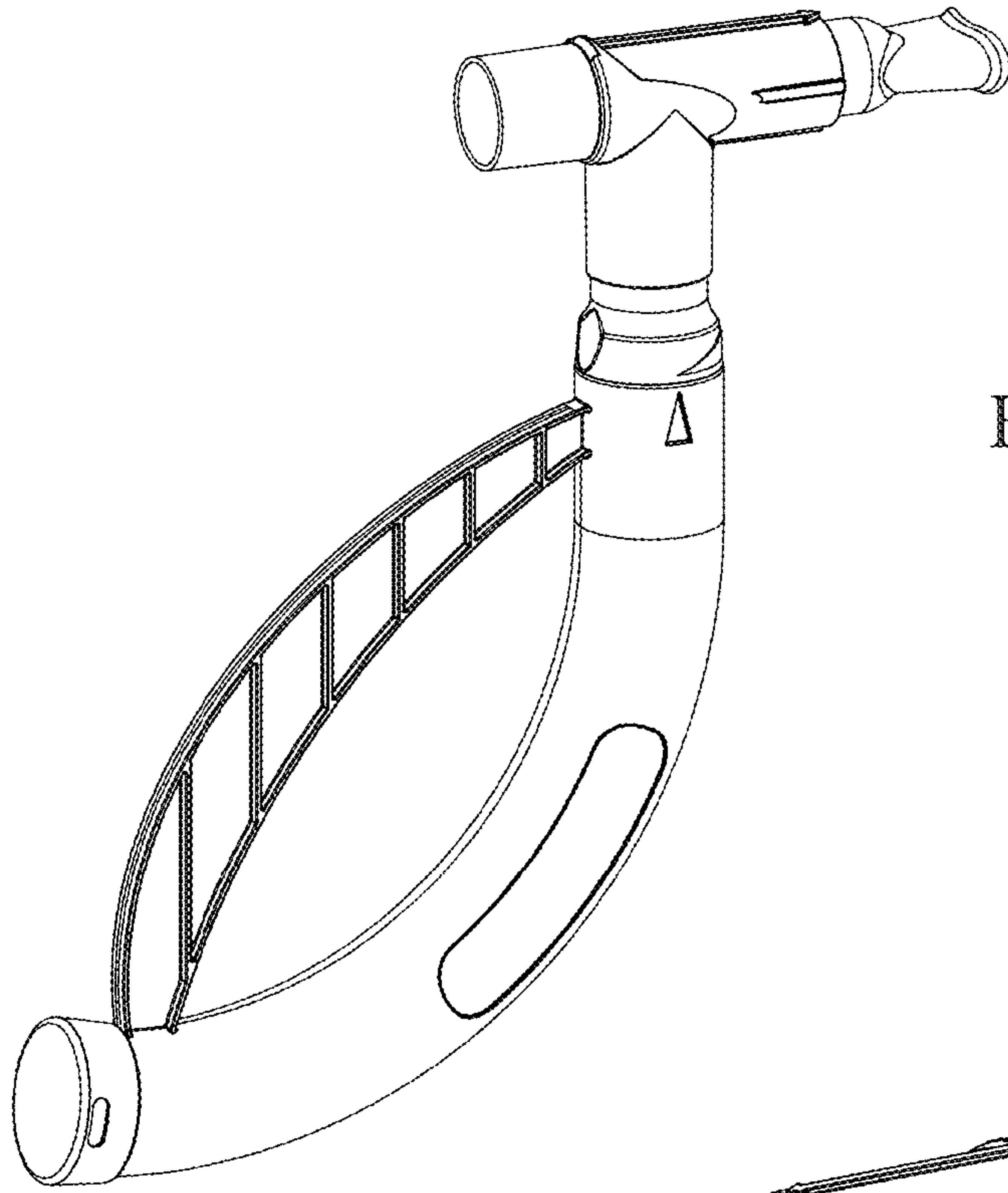


FIG. 1

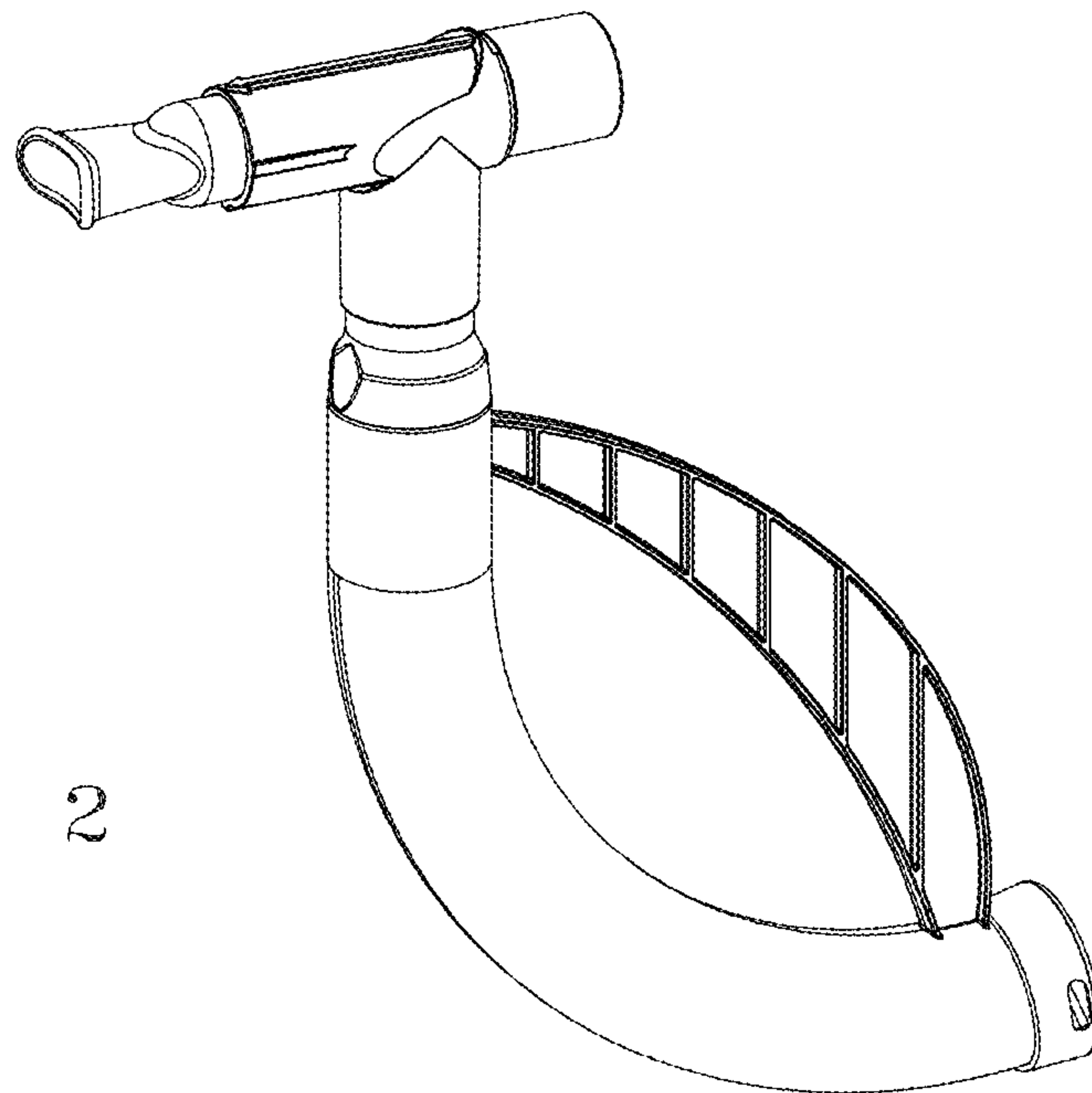


FIG. 2

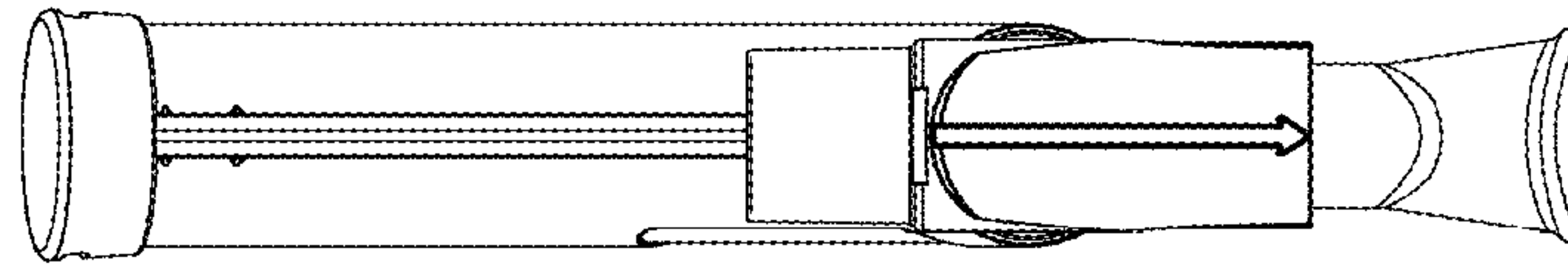


FIG. 3

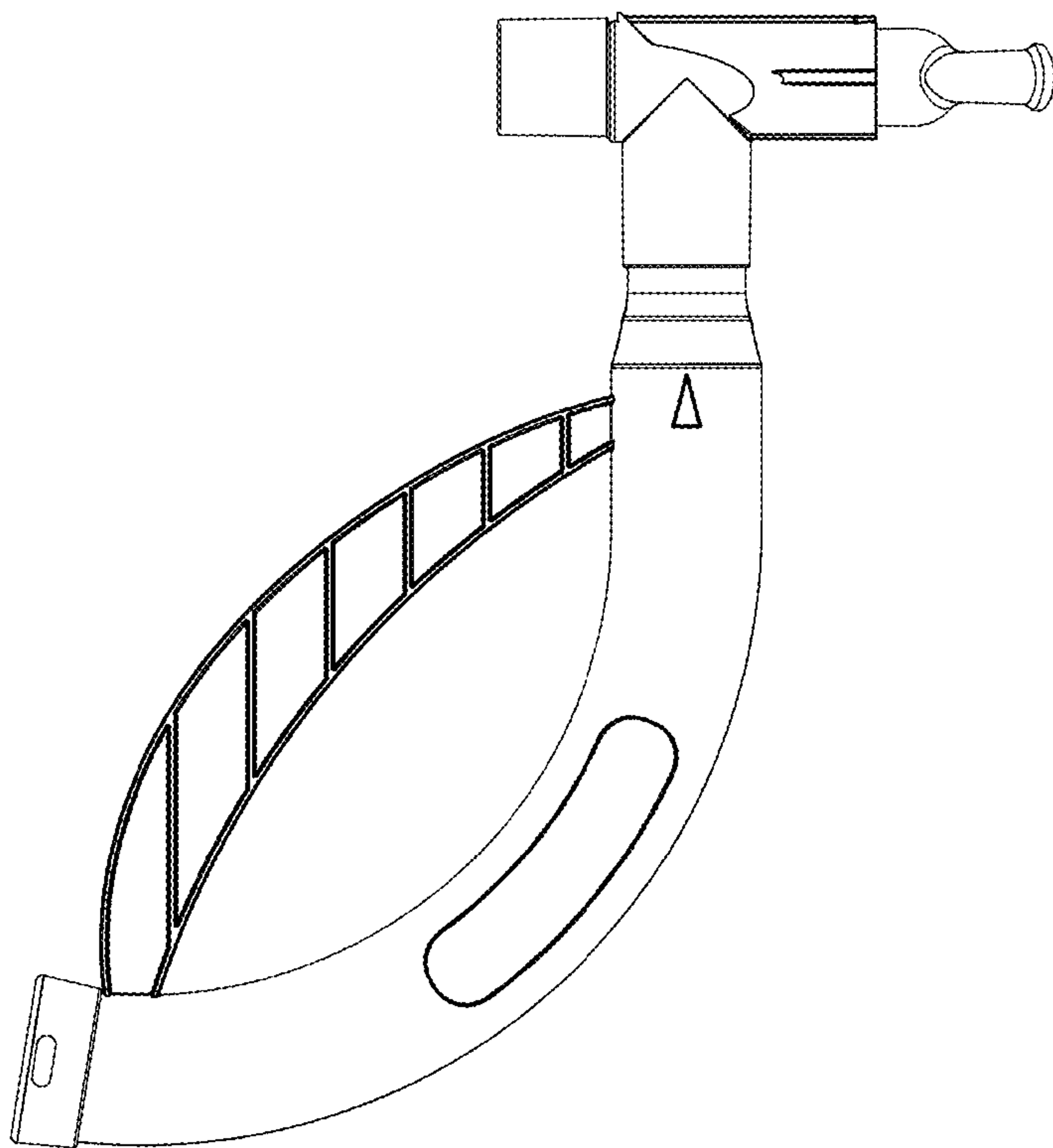


FIG. 4

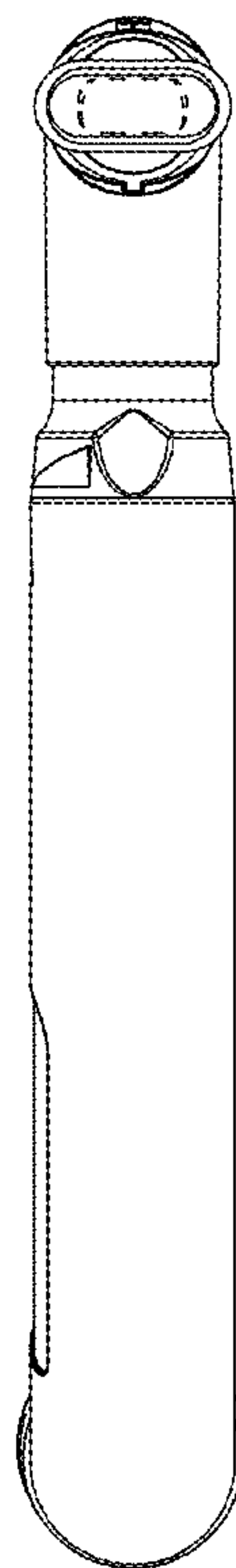


FIG. 5

FIG. 7

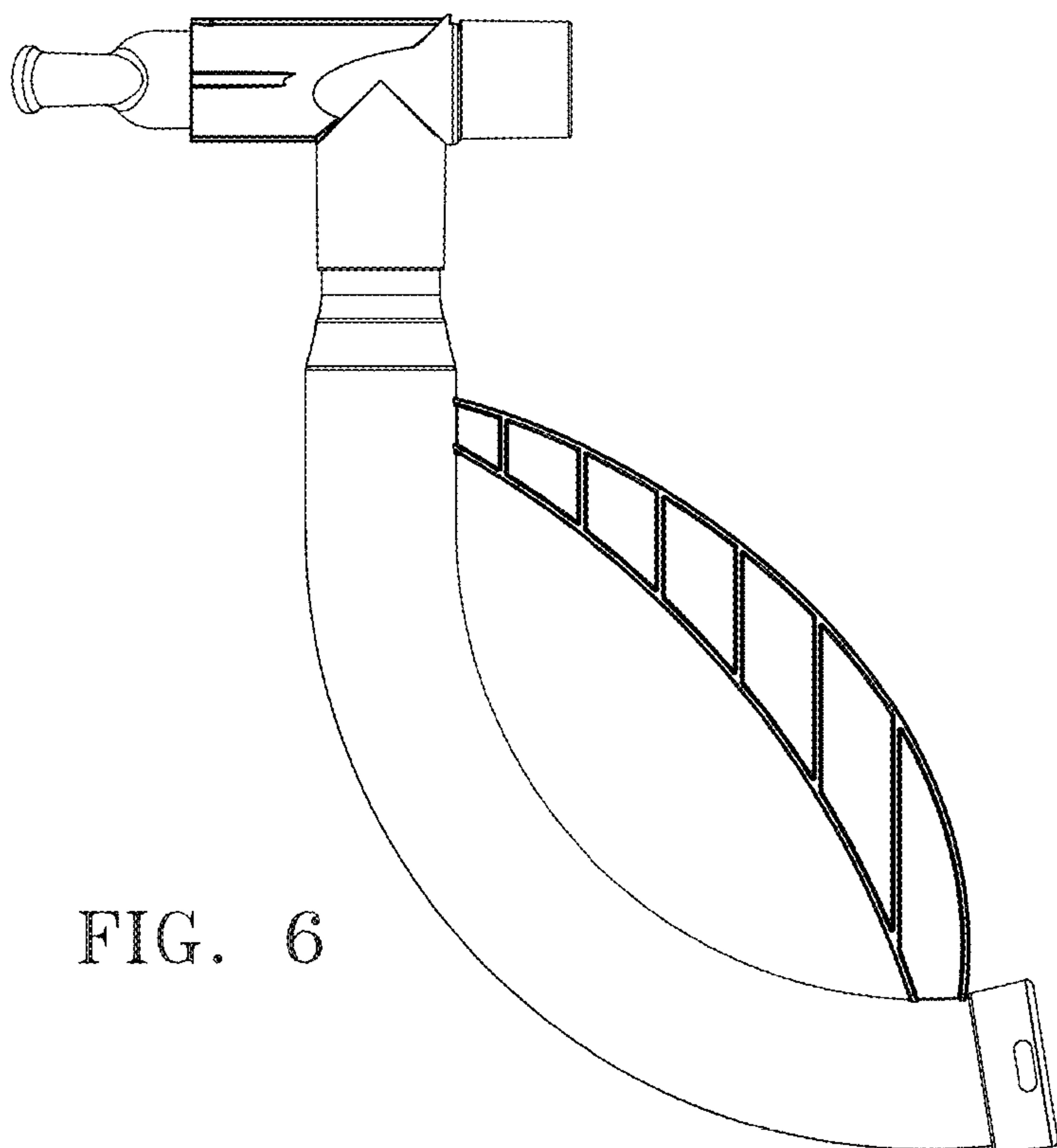
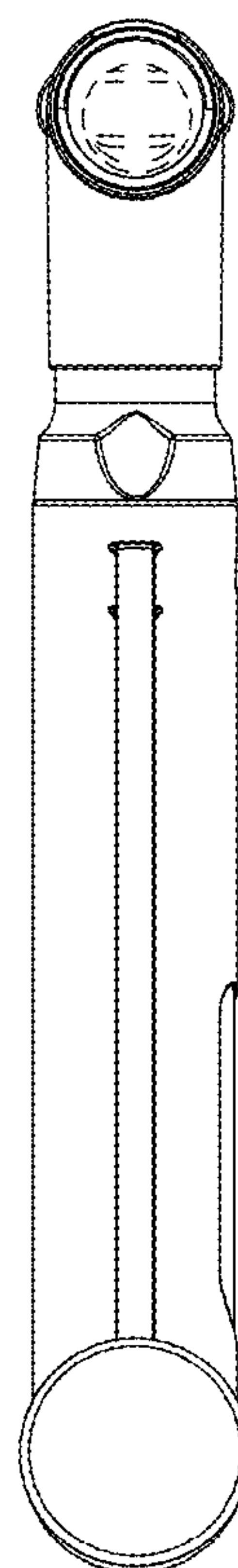


FIG. 6

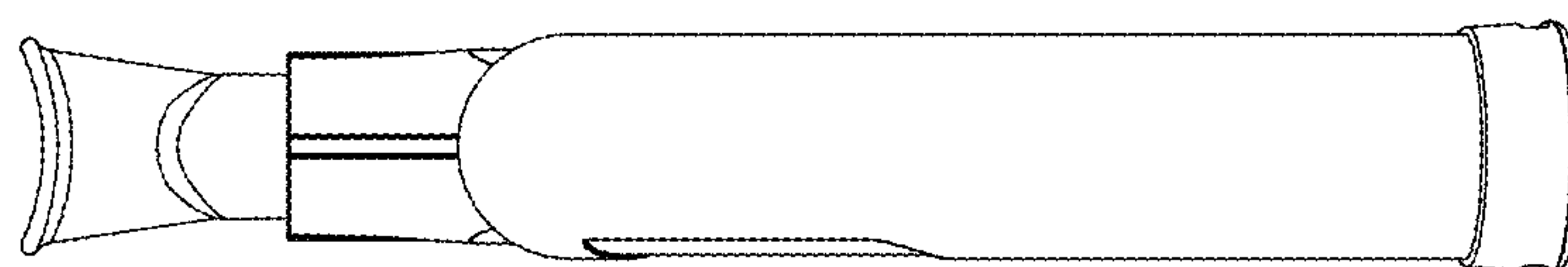


FIG. 8