

US00D768282S

(12) **United States Design Patent**  
**Cardoso et al.**

(10) **Patent No.:** **US D768,282 S**  
(45) **Date of Patent:** **\*\* Oct. 4, 2016**

(54) **STRUCTURAL SUPPORT FOR SOLAR ENVELOPE AND SOLAR COLLECTOR**

(71) Applicant: **ALVA ALTA**, Lisbon (PT)  
(72) Inventors: **Paulo A. Cardoso**, Lisbon (PT); **Daniel Caramelo**, Lisbon (PT)

(73) Assignee: **ALVA ALTA LDA**, Lisbon (PT)

(\*\*) Term: **15 Years**

(21) Appl. No.: **29/528,200**

(22) Filed: **May 27, 2015**

(51) **LOC (10) Cl.** ..... **23-03**

(52) **U.S. Cl.**  
USPC ..... **D23/386**

(58) **Field of Classification Search**  
USPC ..... D14/356; D10/93, 104.1, 108, 114; D8/4, 25, 52; D17/20, 22, 23; D23/323, 328, 333, 335, 336, 337, 341, D23/352, 357, 370, 385, 386, 397, 399, 400, D23/406, 411, 413, 499; D11/143, 144  
CPC ..... H01R 13/5213; B60Q 1/04; B60Q 1/26; G10D 3/006; G10D 13/023; G10D 13/027; B25B 15/001; G10H 3/143; G10H 3/181; G10G 5/005; A42B 1/04; B64C 11/04; B64C 11/16; B64C 11/18; B64C 11/20; F03D 3/062; F03D 11/04; F04D 19/002; F04D 25/068; F04D 25/088; F24F 1/0018  
See application file for complete search history.

(56) **References Cited**

**U.S. PATENT DOCUMENTS**

387,212 A \* 8/1888 Corcoran ..... F04D 25/088  
416/244 R  
D160,084 S \* 9/1950 Grossman ..... D26/107  
2,673,636 A \* 3/1954 Vermette ..... B25H 1/00  
193/42  
3,204,779 A \* 9/1965 Warner ..... A47F 5/13  
211/182  
D219,343 S \* 12/1970 Rinaldi ..... D25/127

3,649,740 A \* 3/1972 Boyer ..... H02G 7/20  
174/149 R  
D223,400 S \* 4/1972 Selden ..... D25/127  
D253,133 S \* 10/1979 Wise ..... D26/55  
4,194,080 A \* 3/1980 Meisberger ..... E04H 12/24  
174/45 R  
4,281,369 A \* 7/1981 Batte ..... F21S 8/086  
136/291  
D271,913 S \* 12/1983 Nanfito ..... D32/55  
4,588,151 A \* 5/1986 Mori ..... B64G 1/222  
126/569  
4,635,351 A \* 1/1987 Koch ..... B21D 35/00  
29/598  
4,636,143 A \* 1/1987 Zeides ..... B64C 11/16  
416/227 A  
4,749,606 A \* 6/1988 Moore ..... E04H 4/08  
126/561  
D299,858 S \* 2/1989 Davis ..... D23/377  
D301,929 S \* 6/1989 Evans ..... D21/699  
D331,865 S \* 12/1992 Parker ..... 47/70  
5,235,500 A \* 8/1993 Sapper ..... F21V 21/30  
362/275

(Continued)

**OTHER PUBLICATIONS**

Solar-Powered Wheelchair, image post date Sep. 23, 2014, site visited Apr. 20, 2016, (online), <<http://web.archive.org/web/20140923083403/http://360photography.in/?p=17837>>.\*

(Continued)

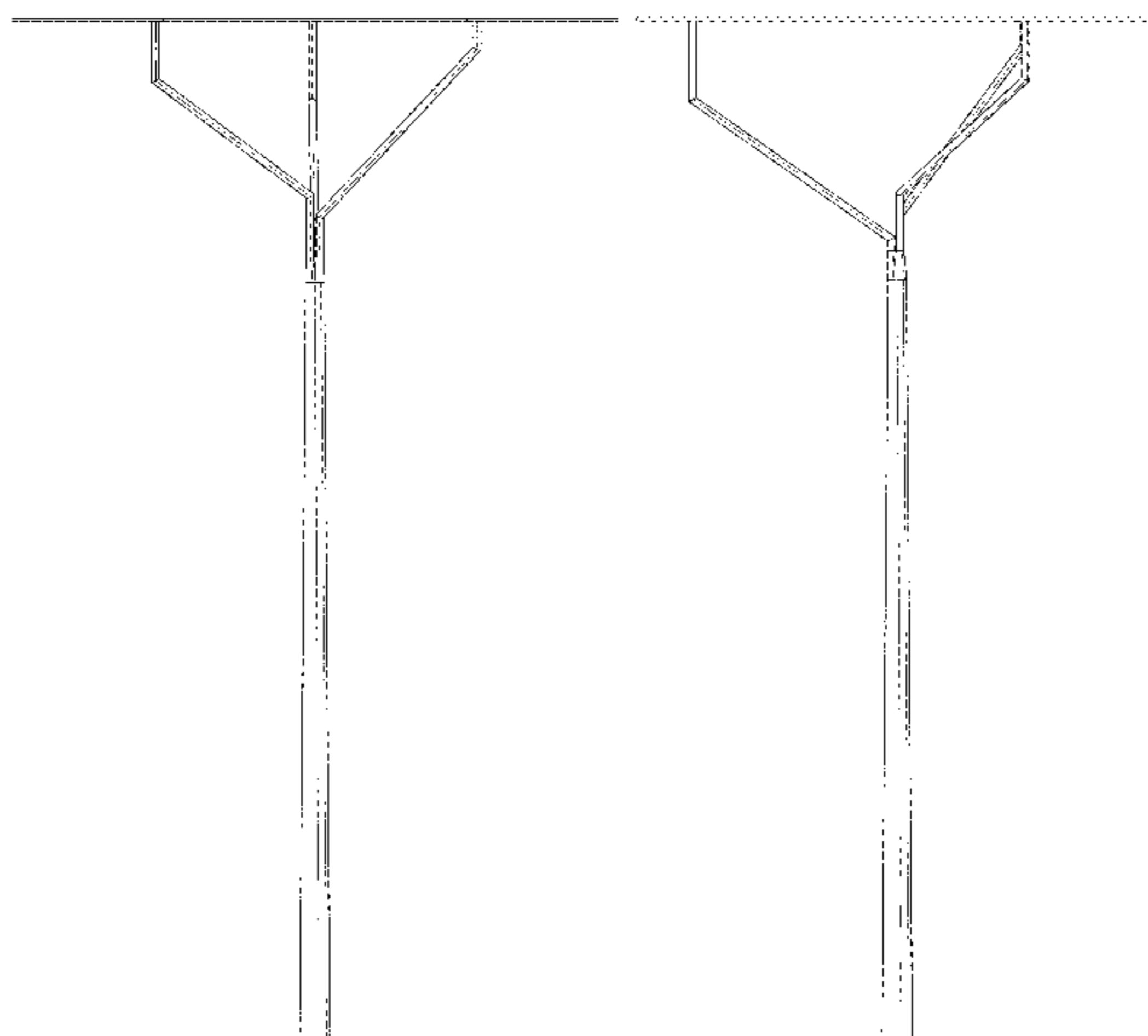
*Primary Examiner* — Kevin Rudzinski  
*Assistant Examiner* — Sean D Lough  
(74) *Attorney, Agent, or Firm* — Fulwider Patton LLP

(57) **CLAIM**  
We claim the ornamental design for the structural support for solar envelope and solar collector, as shown and described.

**DESCRIPTION**

FIG. 1 is an elevated, perspective view of the structural support for solar envelope and solar collector showing my new design;  
FIG. 2 is a front view thereof;  
FIG. 3 is a rear view thereof;  
FIG. 4 is a left side view thereof;  
FIG. 5 is a right side view thereof;  
FIG. 6 is a top view thereof; and,  
FIG. 7 is a bottom view thereof.

**1 Claim, 6 Drawing Sheets**



(56)

References Cited

U.S. PATENT DOCUMENTS

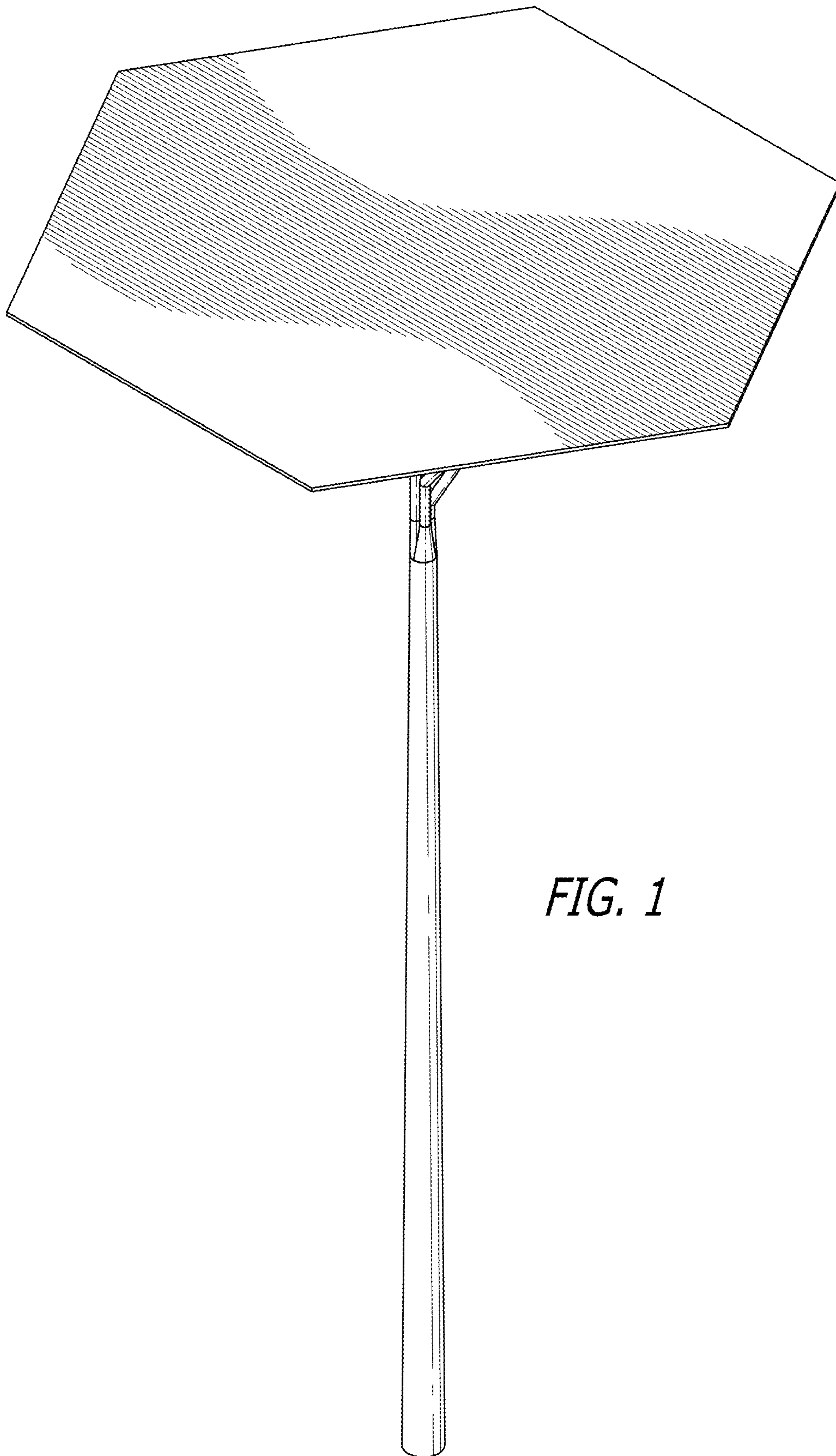
D343,896 S \* 2/1994 Mason ..... D23/411  
 D350,081 S \* 8/1994 May ..... D11/148  
 D353,014 S \* 11/1994 Elazari ..... D26/68  
 D356,403 S \* 3/1995 Pritchard ..... D11/145  
 5,558,501 A \* 9/1996 Wang ..... F04D 29/601  
 248/159  
 D382,633 S \* 8/1997 Clemmer ..... D23/314  
 D387,216 S \* 12/1997 Stone ..... D6/403  
 D387,436 S \* 12/1997 Ritchie ..... D25/127  
 D388,556 S \* 12/1997 Harmon ..... D30/121  
 D417,492 S \* 12/1999 Willey ..... D23/332  
 D429,921 S \* 8/2000 Allanson ..... D6/681.1  
 D435,177 S \* 12/2000 Buell ..... D6/403  
 D440,289 S \* 4/2001 Olson ..... D23/350  
 D444,733 S \* 7/2001 Tanner ..... D11/143  
 D450,816 S \* 11/2001 Bilotti ..... D23/328  
 D475,320 S \* 6/2003 Hensley ..... D11/118  
 6,581,997 B1 \* 6/2003 Martikainen ..... A47G 21/103  
 294/218  
 6,808,078 B2 \* 10/2004 Ta ..... A47F 5/0006  
 211/116  
 D517,681 S \* 3/2006 Butler ..... D23/403  
 D532,500 S \* 11/2006 Yeung ..... D23/339  
 D534,270 S \* 12/2006 Drew ..... D23/403  
 D534,741 S \* 1/2007 Lippert ..... D6/682  
 D555,083 S \* 11/2007 Sharma ..... D13/102  
 D555,084 S \* 11/2007 Sharma ..... D13/102  
 D558,139 S \* 12/2007 Sharma ..... D13/102  
 D558,319 S \* 12/2007 Ishiguro ..... D23/356  
 D559,174 S \* 1/2008 Sharma ..... D13/102  
 D564,443 S \* 3/2008 Moore ..... D13/102  
 D566,985 S \* 4/2008 Hana ..... D6/403  
 D566,990 S \* 4/2008 Cook ..... D6/681.3  
 D573,742 S \* 7/2008 Bears ..... D26/71  
 D574,166 S \* 8/2008 Kaisler ..... D6/681.3  
 D577,332 S \* 9/2008 Moore ..... D13/102  
 D593,815 S \* 6/2009 Sforza Fogliani ..... D7/642  
 D594,949 S \* 6/2009 Wang ..... D23/343  
 D600,200 S \* 9/2009 Dimov ..... D13/102  
 7,621,077 B1 \* 11/2009 Perina ..... E02D 27/42  
 52/116  
 D610,370 S \* 2/2010 Quan ..... D6/681.3  
 D611,190 S \* 3/2010 Huang ..... D26/141  
 D613,639 S \* 4/2010 Parikh ..... D11/117  
 D617,601 S \* 6/2010 Peterson ..... D7/323  
 D618,166 S \* 6/2010 Sanoner ..... D13/102  
 D638,570 S \* 5/2011 Verelst ..... D26/90  
 D639,087 S \* 6/2011 Wisniewski ..... D6/681.3  
 8,007,124 B2 \* 8/2011 Kim ..... F21S 8/086  
 362/158  
 D644,986 S \* 9/2011 Ross ..... D13/102  
 D645,197 S \* 9/2011 Waldmann ..... D26/107  
 D646,348 S \* 10/2011 Whitman ..... D23/201  
 D647,236 S \* 10/2011 Chang ..... D26/70  
 8,046,961 B1 \* 11/2011 Cutting ..... F24J 2/5232  
 206/510  
 D653,724 S \* 2/2012 Li ..... D21/839  
 8,136,783 B2 \* 3/2012 Pietrzak ..... H02S 20/00  
 126/573  
 D657,738 S \* 4/2012 Mackler ..... D13/102  
 D657,906 S \* 4/2012 Yu ..... D26/138  
 D662,040 S \* 6/2012 Yang ..... D13/102  
 D663,683 S \* 7/2012 Fischer ..... D13/102  
 D665,190 S \* 8/2012 Fitzpatrick ..... D6/681.3  
 D667,370 S \* 9/2012 Arletti ..... D13/102  
 D669,630 S \* 10/2012 Yu ..... D26/155  
 D675,774 S \* 2/2013 Stathis ..... D26/120  
 8,402,703 B2 \* 3/2013 Brandt ..... E02D 27/32  
 52/173.3  
 D683,304 S \* 5/2013 Crider ..... D13/102  
 D687,271 S \* 8/2013 McDougal ..... D13/173  
 D688,621 S \* 8/2013 Mozzardi ..... D13/102  
 D698,308 S \* 1/2014 Crider ..... D13/102  
 8,636,258 B2 \* 1/2014 Minetz ..... F16M 13/00  
 248/176.1

D701,829 S \* 4/2014 Garrett-Schesch ..... D13/102  
 8,704,082 B2 \* 4/2014 Angoli ..... F24J 2/5241  
 136/246  
 D709,174 S \* 7/2014 Rodriguez, Jr. .... D23/373  
 D712,822 S \* 9/2014 Brusaw ..... D13/102  
 D724,524 S \* 3/2015 Garrett-Schesch ..... D13/102  
 D730,277 S \* 5/2015 Rangesh ..... D13/102  
 D731,636 S \* 6/2015 Hills ..... D23/403  
 D733,322 S \* 6/2015 Walczak ..... D13/102  
 9,103,567 B2 \* 8/2015 Dwyer ..... F24J 2/523  
 D741,255 S \* 10/2015 Harryson ..... D13/102  
 D742,306 S \* 11/2015 Tohoda ..... D13/102  
 D744,370 S \* 12/2015 Greczanik ..... D11/132  
 9,207,000 B2 \* 12/2015 Kruse ..... F24J 2/541  
 9,212,653 B2 \* 12/2015 Saavedra ..... F03D 5/06  
 9,222,461 B2 \* 12/2015 Aranovich ..... F03D 11/028  
 D749,313 S \* 2/2016 Akin ..... D13/102  
 9,255,981 B2 \* 2/2016 Ning ..... G01S 3/7861  
 9,281,777 B1 \* 3/2016 Borgstrom ..... F24J 2/523  
 9,302,590 B2 \* 4/2016 Santos Silva Serra  
 Duarte ..... B60L 11/1824  
 2009/0273922 A1 \* 11/2009 Ho ..... F21S 8/086  
 362/183  
 2009/0313913 A1 \* 12/2009 Malheiro De  
 Aragao ..... E04H 12/12  
 52/40  
 2012/0031470 A1 \* 2/2012 Dimov ..... F24J 2/5232  
 136/251  
 2014/0230886 A1 \* 8/2014 Werner ..... H01L 31/0422  
 136/251  
 2015/0000725 A1 \* 1/2015 Reilly ..... H02S 20/00  
 136/251  
 2015/0040968 A1 \* 2/2015 Conger ..... H01L 31/042  
 136/251  
 2015/0090316 A1 \* 4/2015 Song ..... F24J 2/38  
 136/246  
 2015/0207453 A1 \* 7/2015 Sinclair ..... H01L 31/0522  
 211/1.53  
 2015/0229263 A1 \* 8/2015 Mandry ..... H02S 20/10  
 211/41.1  
 2015/0256119 A1 \* 9/2015 Datas Medina ..... H02S 10/30  
 136/253  
 2016/0020725 A1 \* 1/2016 Miyahara ..... H02S 20/32  
 136/246  
 2016/0036379 A1 \* 2/2016 Shown ..... H01L 31/0586  
 136/248

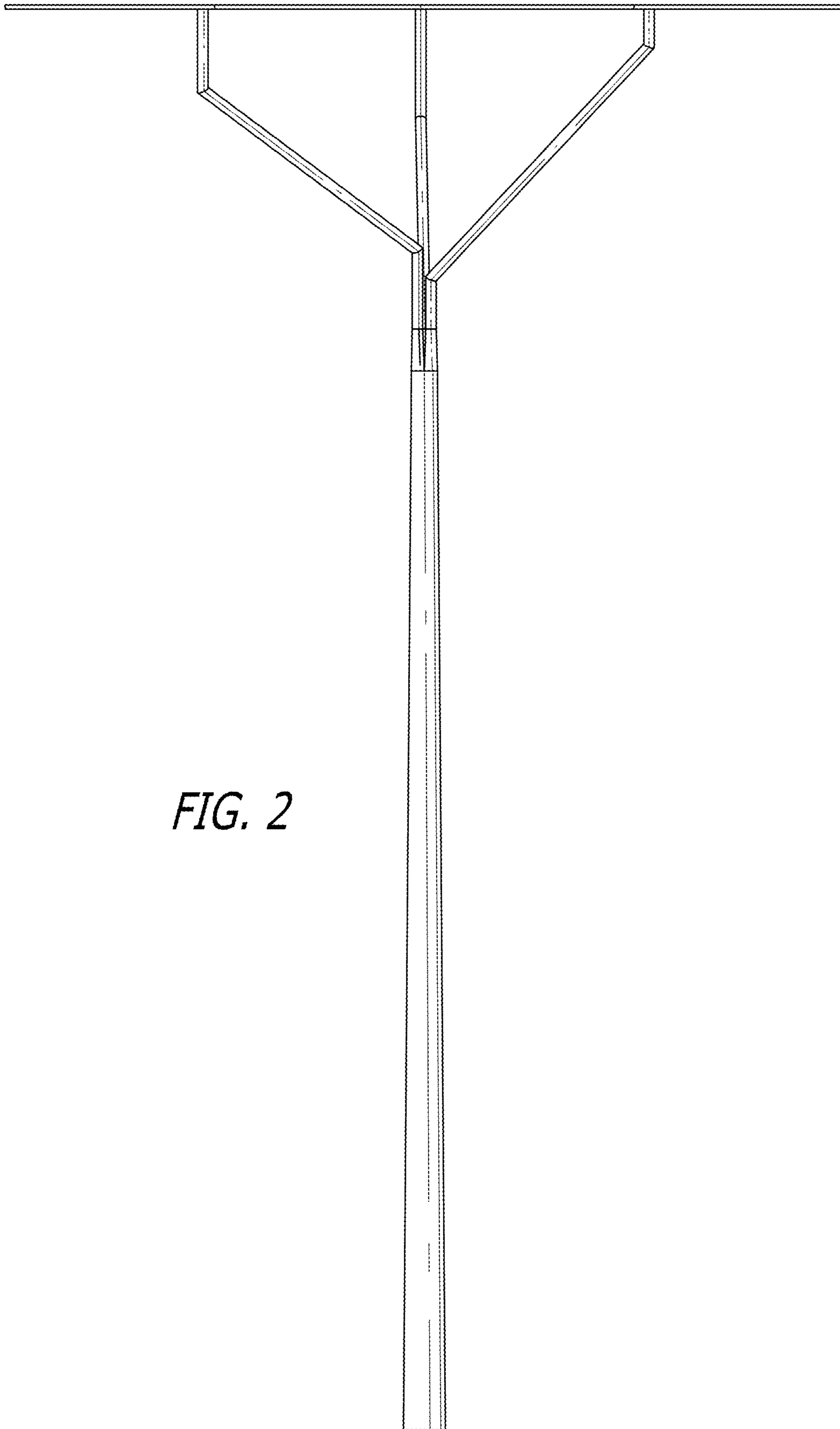
OTHER PUBLICATIONS

Kinematic Solar Panels, image post date 2013, site visited Apr. 20, 2016, (online), <<http://depts.washington.edu/design13/?p=2441>>.\*  
 Hexagonal panels, image post date May 13, 2009, site visited Apr. 20, 2016, (online), <<http://www.greentechmedia.com/articles/read/an-ikea-for-solar-4652>>.\*  
 Solar Roadways hexagonal unit, image post date Apr. 24, 2014, site visited Apr. 20, 2016, (online), <<http://www.gizmag.com/solar-roadways-parking-lot/31780/>>.\*  
 American Gothic, image post date Jan. 28, 2004, site visited Apr. 20, 2016, (online), <<http://web.archive.org/web/20150905163957/http://www.sweet-transvestites.com/uk/RHPS/farmer-uk.htm>>.\*  
 Canopy of folded metal plates for urban park in Phoenix, image post date Aug. 18, 2015, site visited Apr. 20, 2016, (online), <<http://www.dezeen.com/2015/08/18/howeler-yoon-shadow-play-canopy-folded-metal-plates-urban-park-phoenix-arizona-pavilion/>>.\*  
 Laparoscopy forceps curved 3 Prong Grasper Retriever, image post date , site visited Apr. 20, 2016, (online), <<http://www.ebay.com/itm/Weck-5mm-Laparoscopy-forceps-curved-3-Prong-Grasper-Retriever-/351096239028>>.\*  
 Kiribati Shark-Toothed Sword, image post date Apr. 18, 2013, site visited Apr. 20, 2016, (online), <<https://wiki.ucl.ac.uk/display/BBCollabSupport/An+Ethnographic+Analysis+of+a+Kiribati+Shark-Toothed+Sword>>.\*  
 3-Prong Clamp, image post date Nov. 10, 2009, site visited Apr. 20, 2016, (online), <<https://www.tineye.com/search/e55252c2beab8c9a980d48414ba454912ec5f540/>>.\*

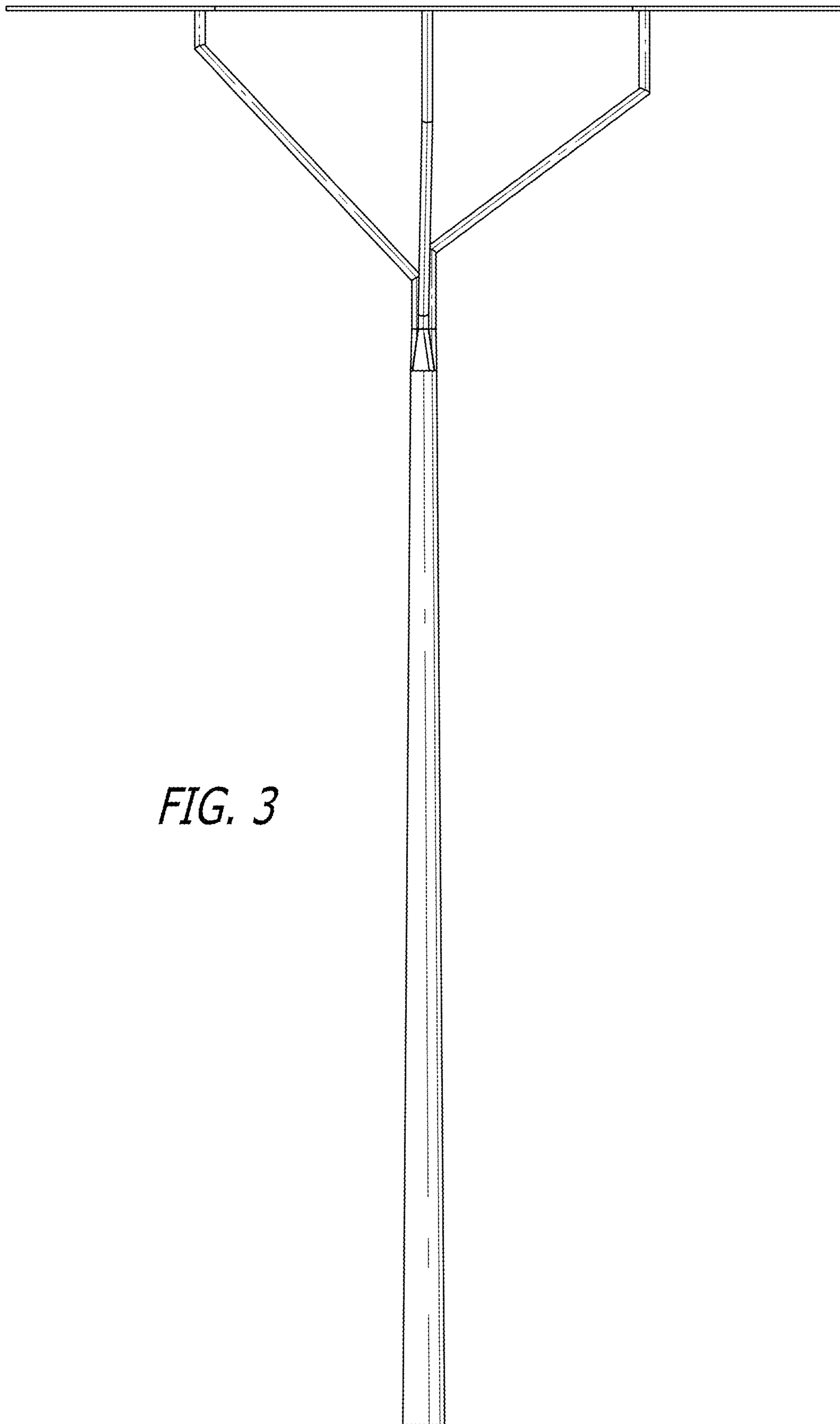
\* cited by examiner



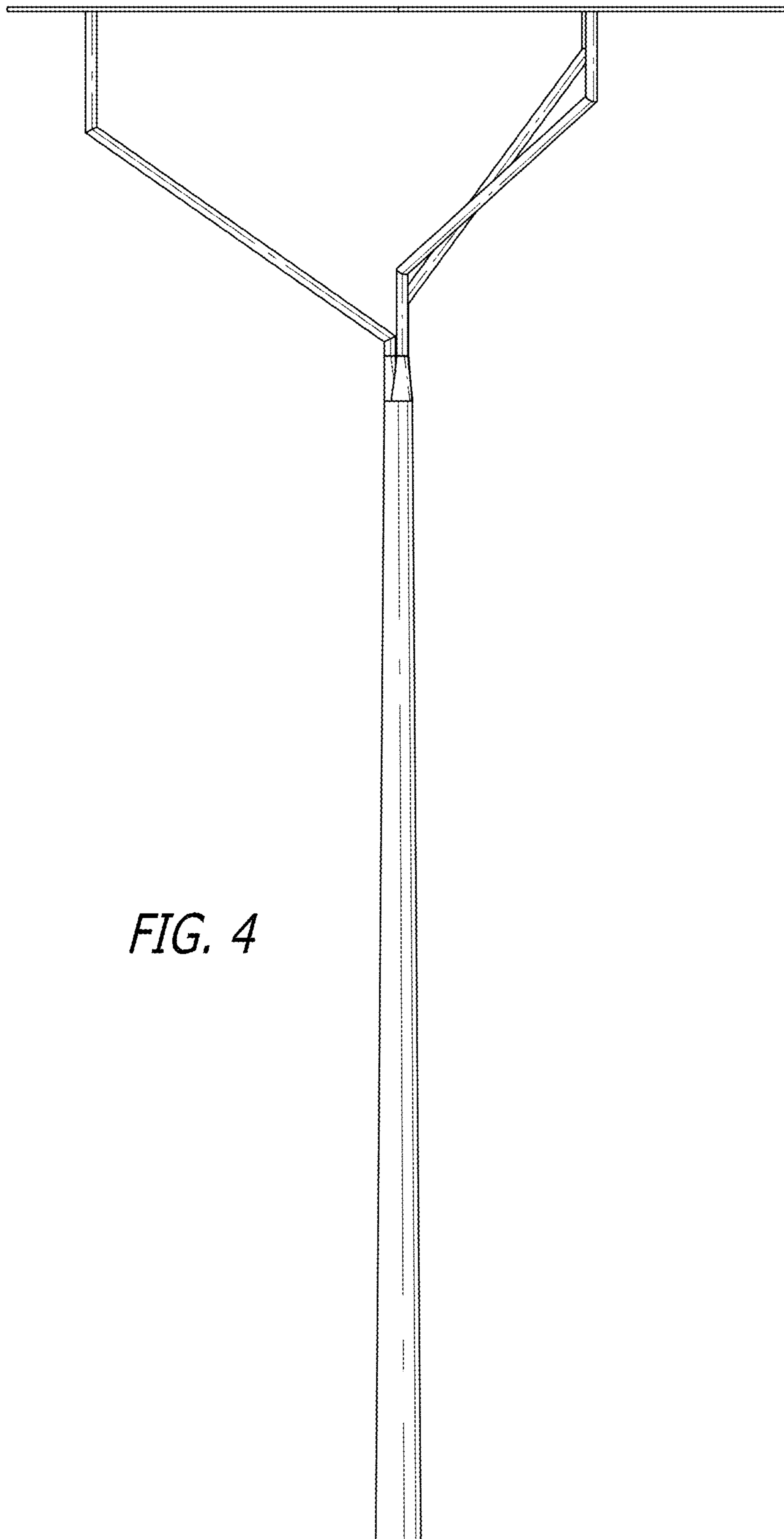
*FIG. 1*



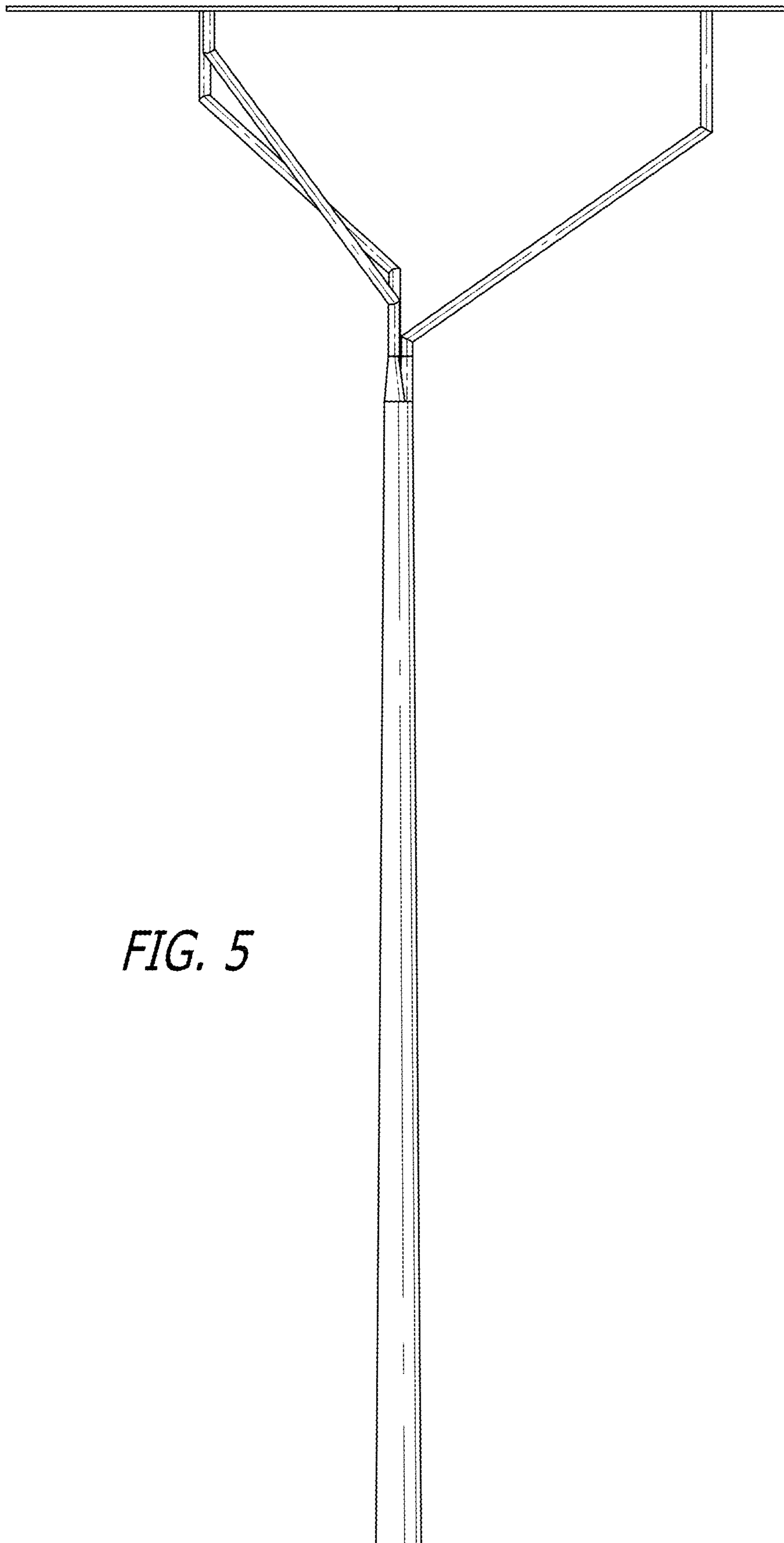
*FIG. 2*



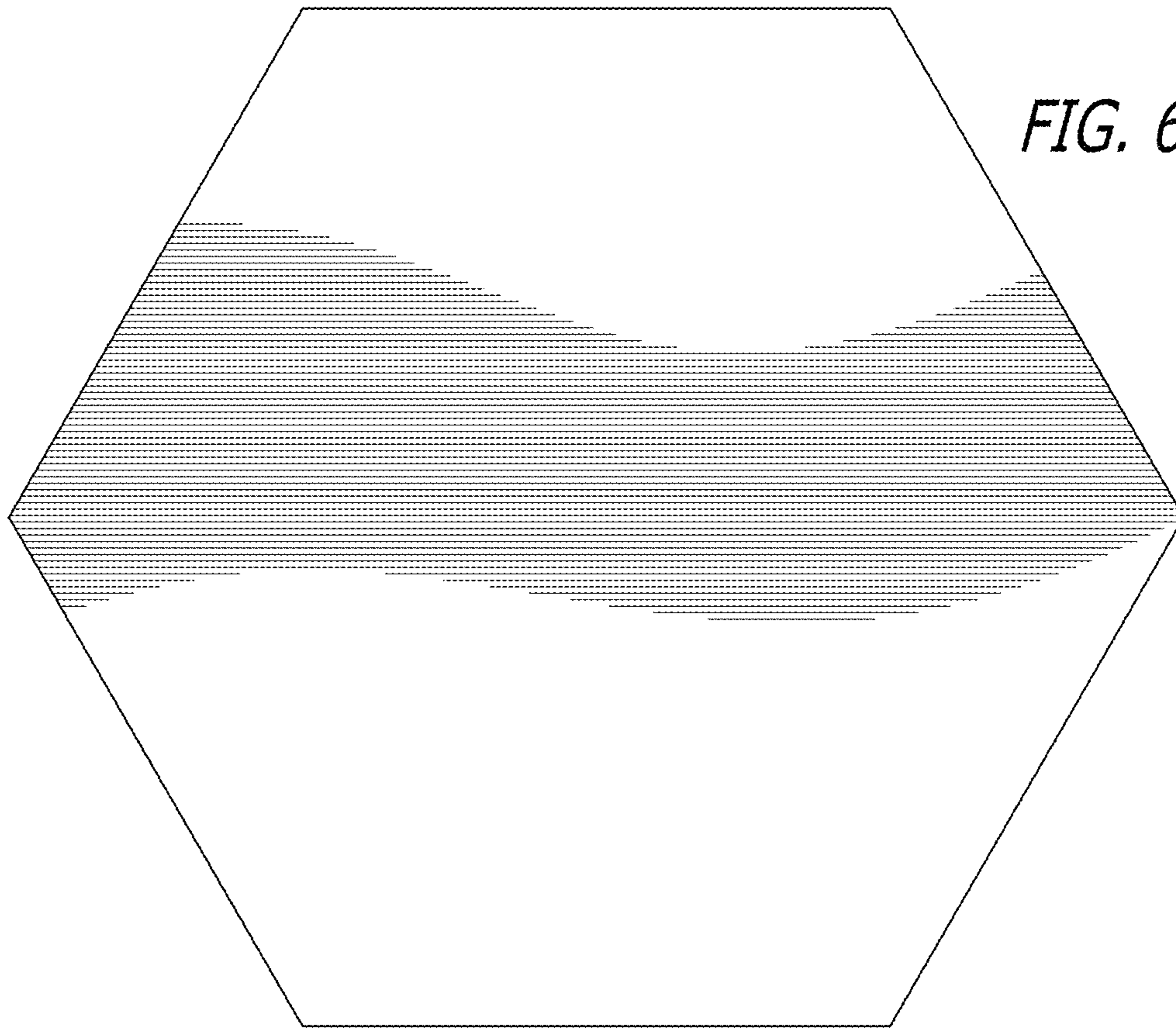
*FIG. 3*



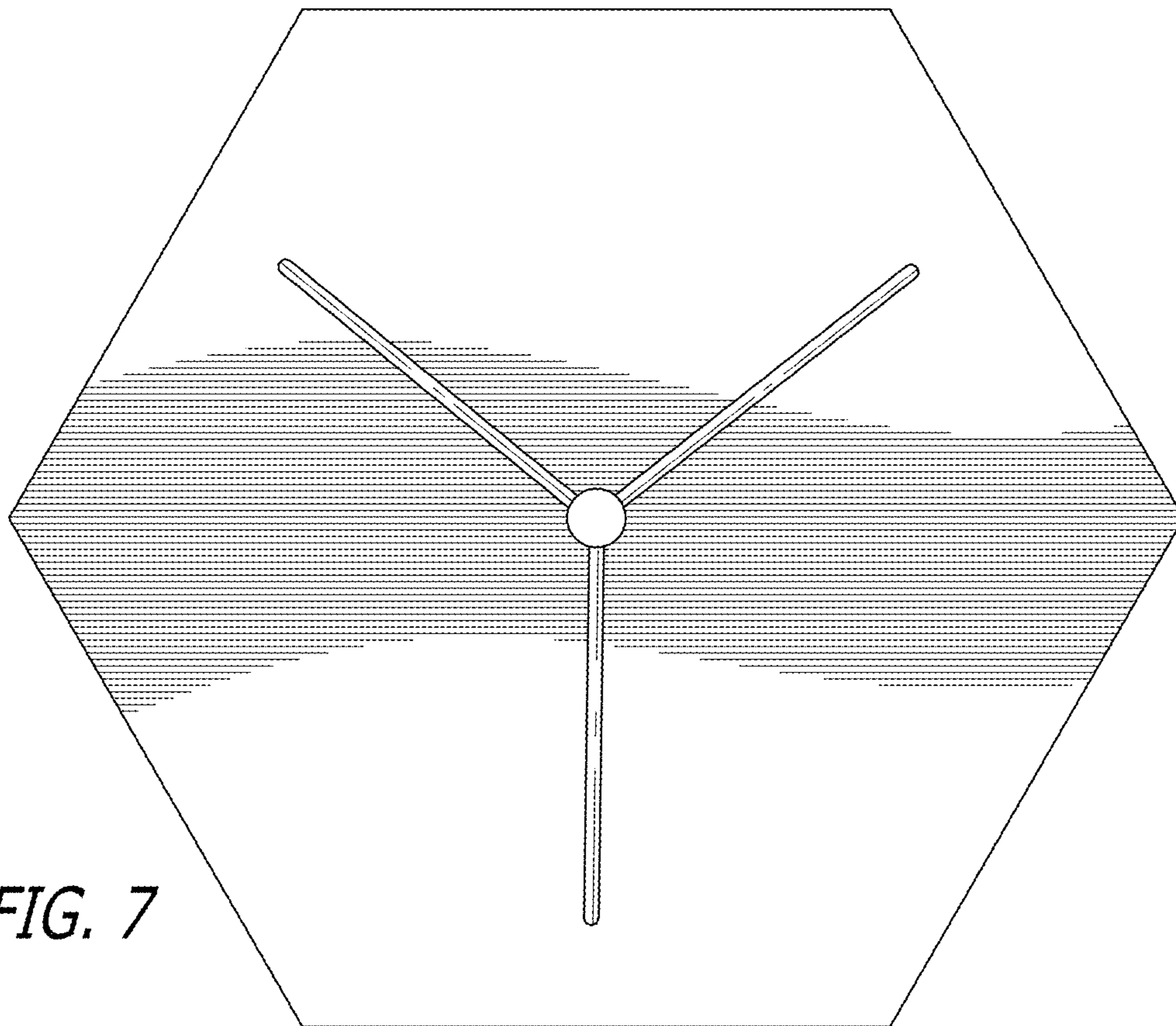
*FIG. 4*



*FIG. 5*



*FIG. 6*



*FIG. 7*