

US00D768280S

(12) **United States Design Patent** (10) **Patent No.:** **US D768,280 S**  
**Peet et al.** (45) **Date of Patent:** **\*\* Oct. 4, 2016**

(54) **FAN** 8,932,028 B2 \* 1/2015 Fitton ..... F04D 25/08  
239/568

(71) Applicant: **Dyson Technology Limited**, Wiltshire (GB) D728,092 S \* 4/2015 Poulton ..... D23/342  
9,004,858 B2 \* 4/2015 Nicolas ..... F04D 25/08  
415/220

(72) Inventors: **Steven Eduard Peet**, Bristol (GB); D728,769 S \* 5/2015 Dyson ..... D23/342  
**Jack Johnson**, Stoke-on-Trent (GB); D729,372 S \* 5/2015 McPherson ..... D23/370  
**Leanne Joyce Garner**, Bristol (GB); D729,925 S \* 5/2015 McPherson ..... D23/370  
**Adam James Bates**, Oxford (GB); 9,366,449 B2 \* 6/2016 Staniforth ..... F04F 5/16  
**Peter David Gammack**, Swindon (GB); 2009/0060710 A1 \* 3/2009 Gammack ..... F04D 25/06  
415/90  
**Andrea Ee-Va Lim**, Bristol (GB); 2010/0225012 A1 \* 9/2010 Fitton ..... F24F 1/01  
261/116  
**Jonathan George Marsh**, Swindon (GB) 2010/0226752 A1 \* 9/2010 Gammack ..... F04D 25/08  
415/90  
2010/0226769 A1 \* 9/2010 Helps ..... F04D 25/08  
415/208.1

(73) Assignee: **Dyson Technology Limited**, Malmesbury, Wiltshire (GB) 2010/0226771 A1 \* 9/2010 Crawford ..... F04D 25/08  
415/230  
2010/0226797 A1 \* 9/2010 Fitton ..... F04D 25/08  
417/313  
2010/0226801 A1 \* 9/2010 Gammack ..... F04F 5/16  
417/423.1  
2011/0110805 A1 \* 5/2011 Gammack ..... F04D 25/08  
417/423.1

(Continued)

(30) **Foreign Application Priority Data**

Jan. 30, 2015 (EM) ..... 001429252-0001

(51) **LOC (10) Cl.** ..... **23-04**

(52) **U.S. Cl.**  
USPC ..... **D23/370**

(58) **Field of Classification Search**  
USPC ..... D23/370, 355, 314, 414; 415/121.1  
CPC .. F04D 29/329; F04D 29/526; F04D 25/082;  
F04D 29/325; F04D 29/703; F04D 29/547  
See application file for complete search history.

(56) **References Cited**

U.S. PATENT DOCUMENTS

D598,532 S \* 8/2009 Dyson ..... D23/370  
D602,144 S \* 10/2009 Dyson ..... D23/370  
D638,114 S \* 5/2011 Li ..... D23/370  
D643,098 S \* 8/2011 Wallace ..... D23/342  
D672,023 S \* 12/2012 Wallace ..... D23/332  
8,783,663 B2 \* 7/2014 Fitton ..... F24F 1/01  
261/116

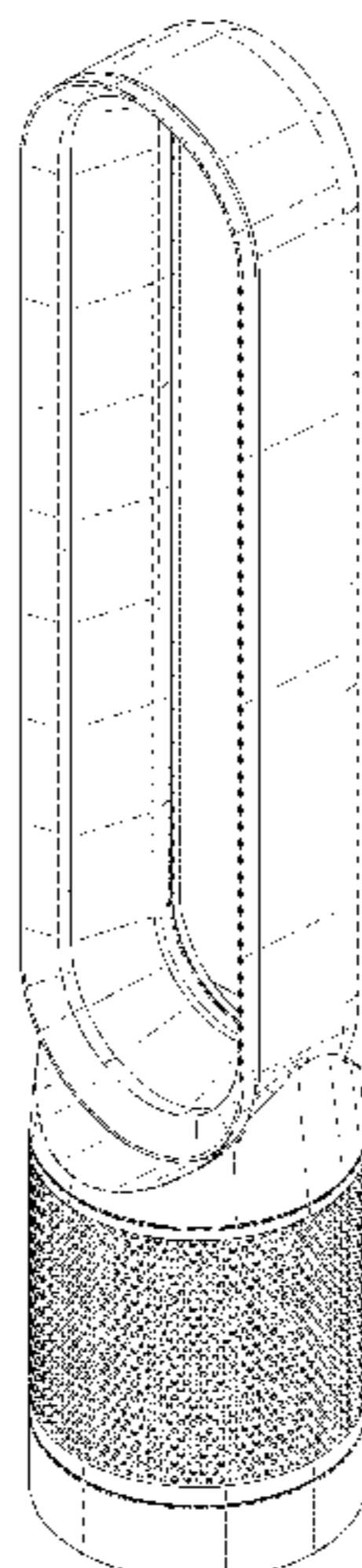
*Primary Examiner* — Cynthia Underwood  
(74) *Attorney, Agent, or Firm* — Morrison & Foerster LLP

(57) **CLAIM**  
We claim the ornamental design for a fan, as shown and described.

**DESCRIPTION**

FIG. 1 is a perspective view of a fan showing our new design;  
FIG. 2 is a front view thereof;  
FIG. 3 is a back view thereof;  
FIG. 4 is a side view thereof;  
FIG. 5 is a side view of the opposite side of FIG. 4;  
FIG. 6 is a top view thereof; and,  
FIG. 7 is a bottom view thereof.  
The boundary lines represent the bounds of the claim.

**1 Claim, 6 Drawing Sheets**



(56)

**References Cited**

U.S. PATENT DOCUMENTS

2012/0031509	A1 *	2/2012	Wallace	.....	F04D 15/0218 137/338	2013/0249126	A1 *	9/2013	Staniforth	.....	F24F 13/26 261/141
2012/0033952	A1 *	2/2012	Wallace	.....	F04D 25/08 392/367	2013/0272858	A1 *	10/2013	Stickney	.....	F04D 25/08 415/182.1
2012/0034108	A1 *	2/2012	Wallace	.....	F04D 25/08 417/313	2013/0280061	A1 *	10/2013	Stickney	.....	F04D 25/08 415/211.2
2013/0028763	A1 *	1/2013	Staniforth	.....	F04D 25/08 417/423.5	2013/0309065	A1 *	11/2013	Johnson	.....	F04D 29/665 415/119
2013/0028766	A1 *	1/2013	Staniforth	.....	F04F 5/16 417/423.14	2013/0309080	A1 *	11/2013	Johnson	.....	F04D 29/665 415/208.1
2013/0129490	A1 *	5/2013	Dos Reis	.....	F24F 7/007 415/182.1	2013/0323100	A1 *	12/2013	Poulton	.....	F04F 5/16 417/423.14
2013/0142676	A1 *	6/2013	Zou	.....	F04F 5/16 417/313	2013/0336771	A1 *	12/2013	Dyson	.....	F04D 25/08 415/126
2013/0234346	A1 *	9/2013	Staniforth	.....	F04F 5/16 261/72.1	2014/0017069	A1 *	1/2014	Peters	.....	F04D 29/462 415/126
2013/0234347	A1 *	9/2013	Staniforth	.....	F24F 1/01 261/78.2	2014/0077398	A1 *	3/2014	Staniforth	.....	F04F 5/16 261/32
2013/0249122	A1 *	9/2013	Staniforth	.....	F04F 5/16 261/78.2	2014/0084492	A1 *	3/2014	Staniforth	.....	F04D 25/08 261/31
2013/0249124	A1 *	9/2013	Staniforth	.....	F24F 3/16 261/128	2014/0210114	A1 *	7/2014	Staniforth	.....	F04D 25/08 261/30
						2014/0210115	A1 *	7/2014	Staniforth	.....	F24F 13/26 261/78.2

\* cited by examiner

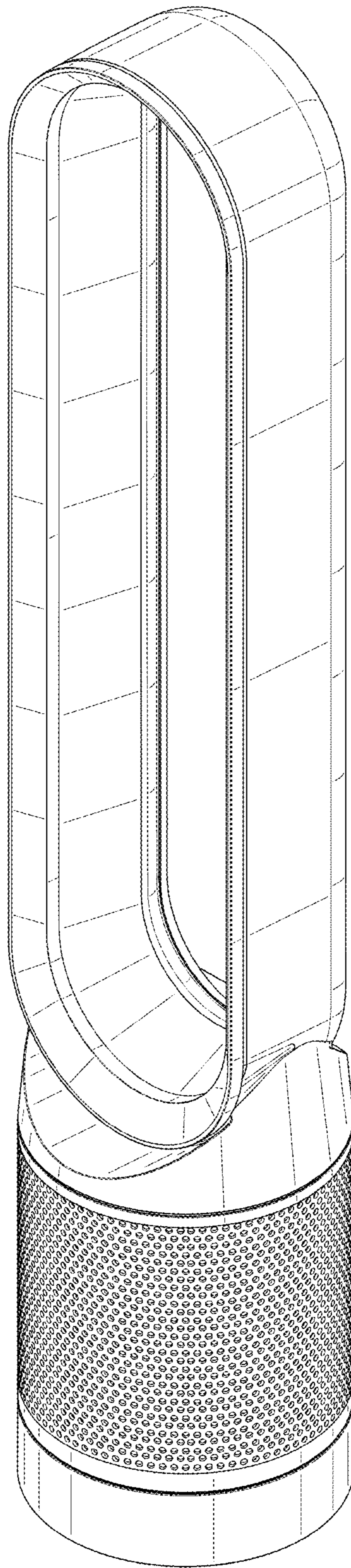


FIG. 1



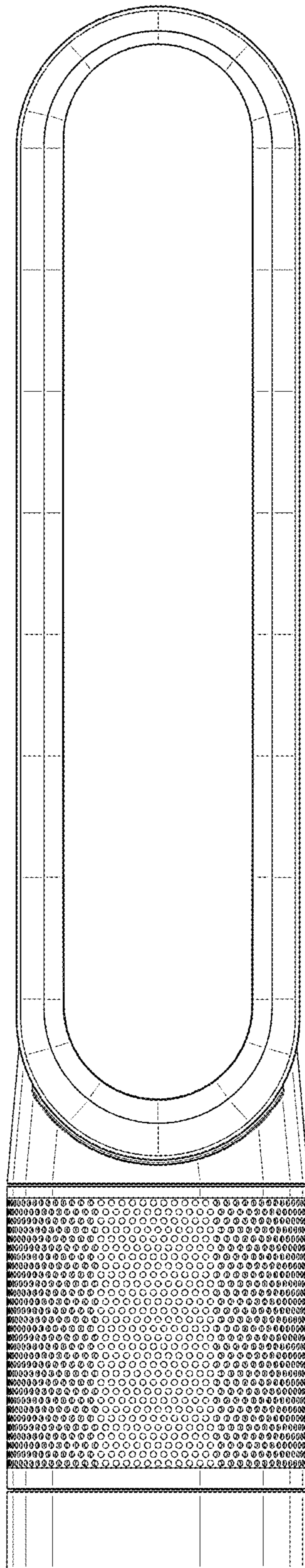


FIG. 2

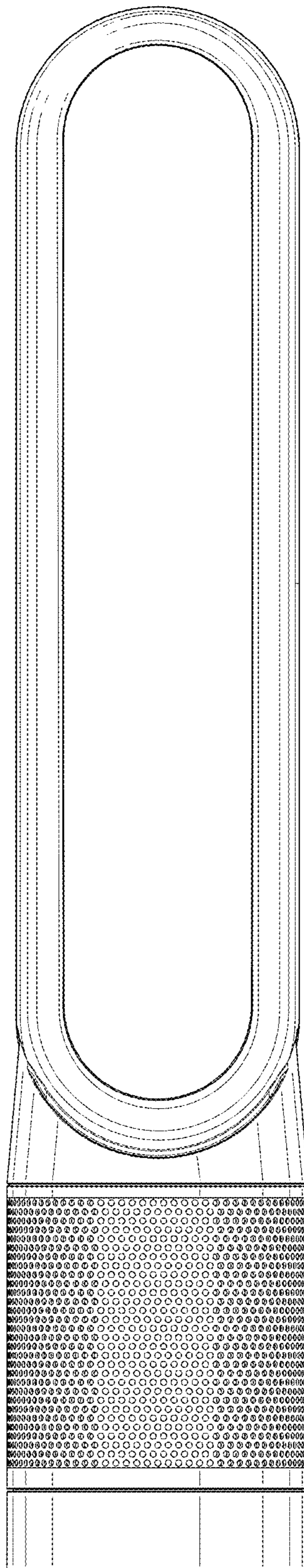


FIG. 3

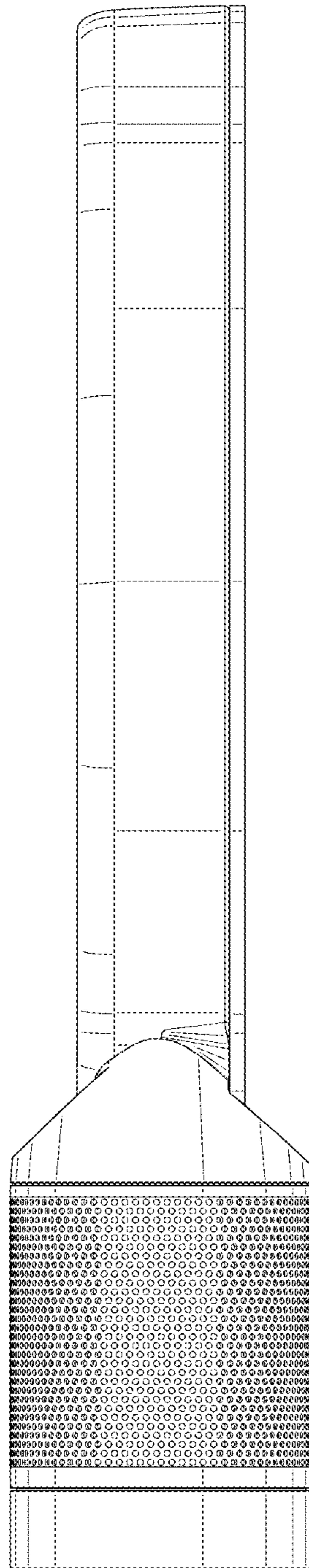


FIG. 4

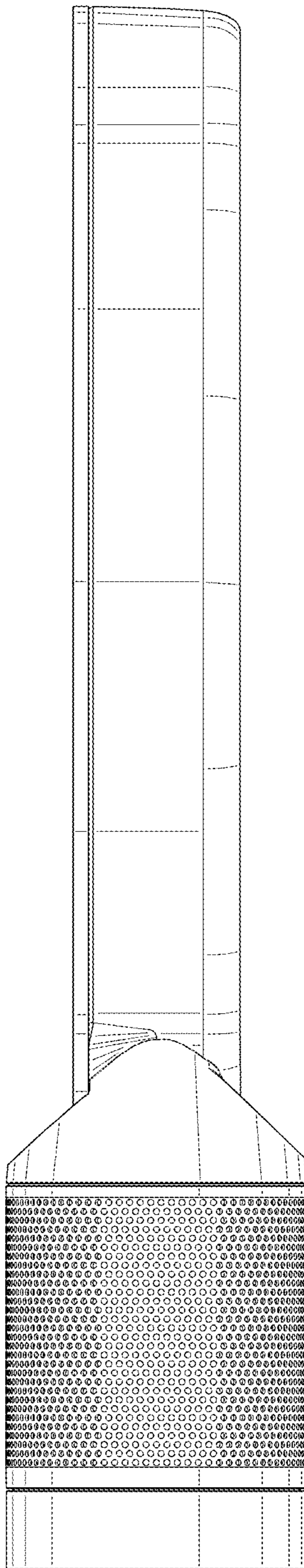


FIG. 5

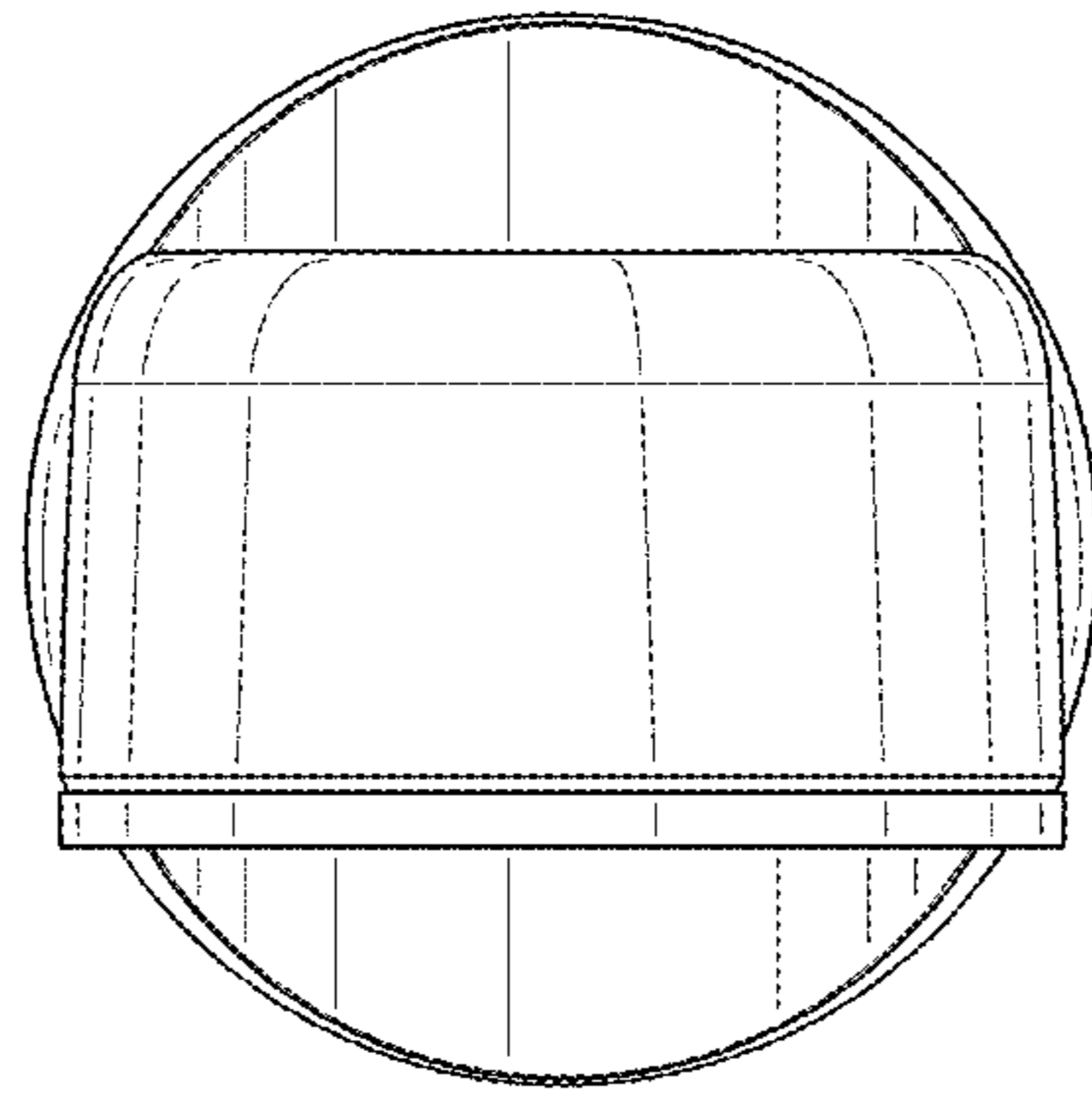


FIG. 6

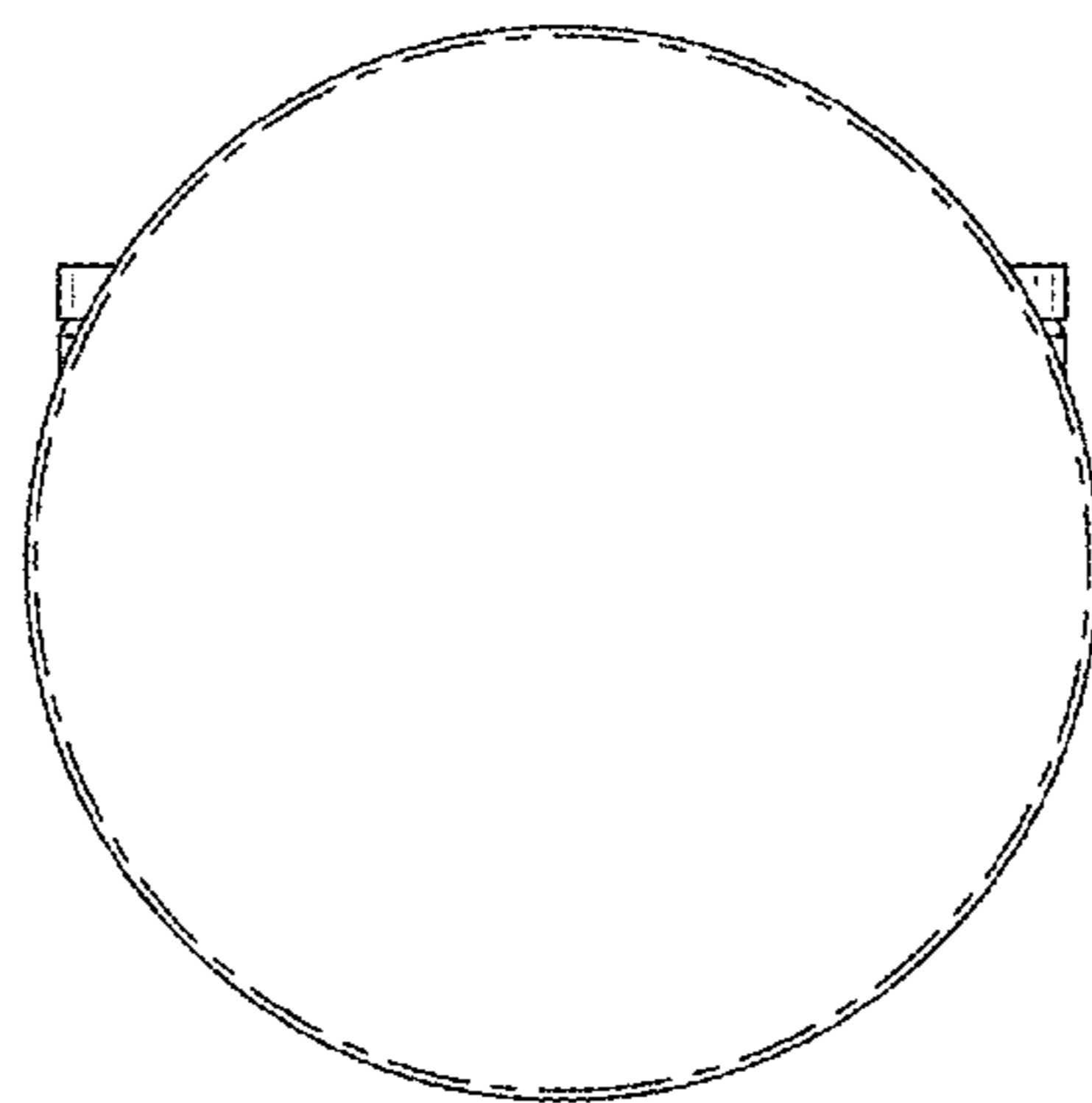


FIG. 7