



US00D768277S

(12) **United States Design Patent** (10) **Patent No.:** **US D768,277 S**
Moredock et al. (45) **Date of Patent:** **** Oct. 4, 2016**

(54) **FILTER CARTRIDGE FOR AIR CLEANER**

6,280,493 B1 8/2001 Eubank
6,348,086 B1 * 2/2002 Harms B01D 46/0045
55/385.3

(71) Applicant: **THE SY-KLONE COMPANY,**
Jacksonville, FL (US)

6,425,943 B1 7/2002 Moredock
D467,654 S 12/2002 Klug et al.
D471,623 S * 3/2003 Gieseke D23/365
6,569,219 B1 5/2003 Connor et al.
D481,101 S 10/2003 Boehrs et al.
6,958,083 B1 10/2005 Schmitz et al.

(72) Inventors: **James G. Moredock,** Neptune Beach,
FL (US); **Eric L. Ehrenberg,**
Jacksonville, FL (US)

(Continued)

(73) Assignee: **THE SY-KLONE COMPANY,**
Jacksonville, FL (US)

Primary Examiner — Sandra Snapp
(74) *Attorney, Agent, or Firm* — Oliff PLC

(**) Term: **15 Years**

(57) **CLAIM**

(21) Appl. No.: **29/533,125**

The ornamental design for a filter cartridge for air cleaner,
as shown and described.

(22) Filed: **Jul. 14, 2015**

DESCRIPTION

(51) **LOC (10) Cl.** **23-04**

(52) **U.S. Cl.**
USPC **D23/365**

(58) **Field of Classification Search**
USPC D23/355–365, 386–388, 314, 325, 302,
D23/283, 493, 502; 55/478, 482, 483, 490,
55/497, 498, 520, 521, 529, 508, 511;
95/273, 278, 279, 280

CPC .. B01D 46/00; B01D 46/0004; B01D 27/04;
B01D 27/06; B01D 39/00

See application file for complete search history.

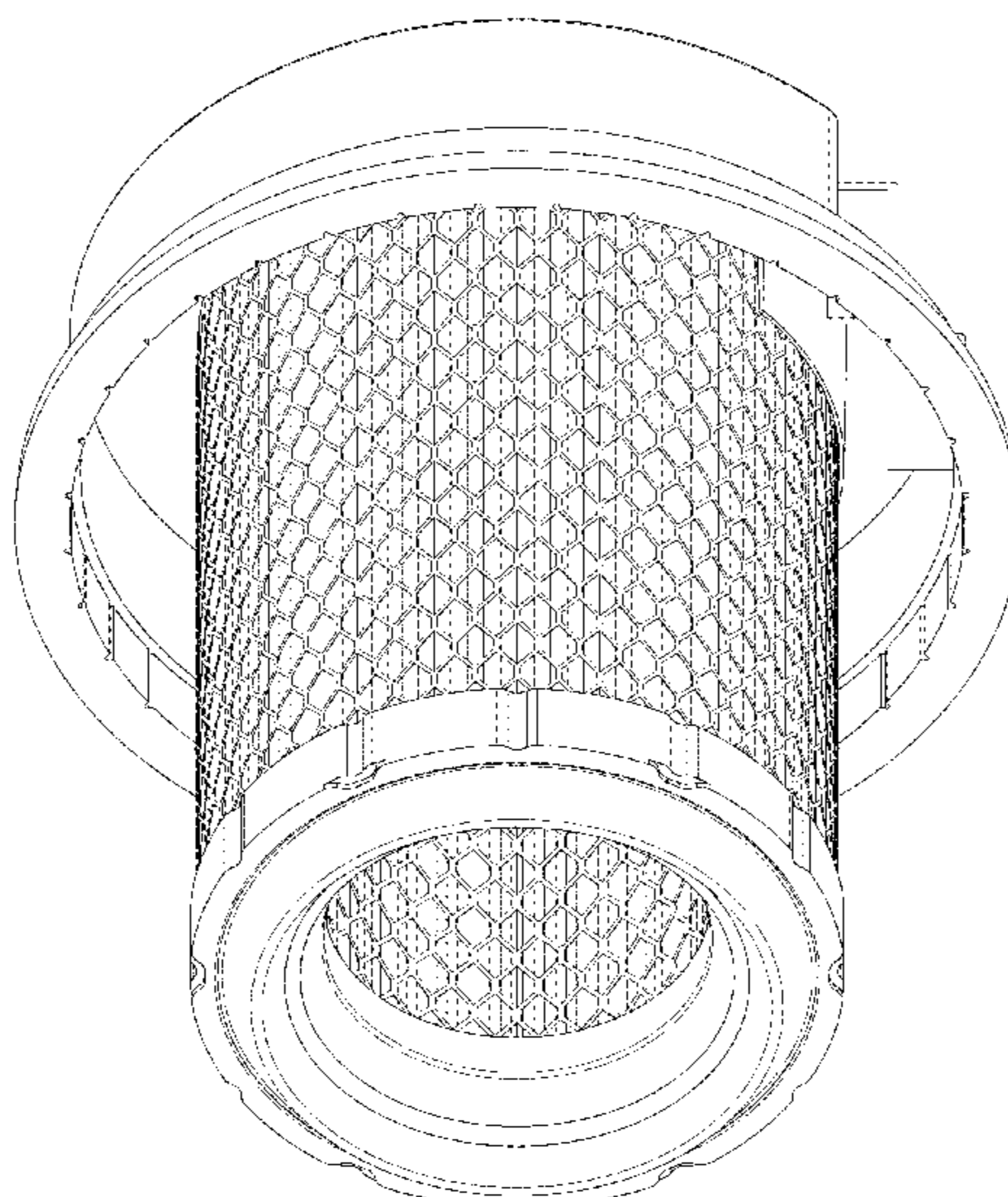
FIG. 1 is a top plan view of one embodiment of the filter cartridge for air cleaner showing our new design;
FIG. 2 is a front side elevational view thereof;
FIG. 3 is a right side elevational view thereof;
FIG. 4 is a bottom plan view thereof;
FIG. 5 is a perspective view thereof from the side and above;
FIG. 6 is a perspective view thereof from the side and below;
FIG. 7 is a side elevational view thereof showing the filter cartridge for air cleaner in a position of use on an air cleaner shown in dashed lines;
FIG. 8 is a top plan view of a second embodiment of the filter cartridge for air cleaner showing our new design;
FIG. 9 is a front side elevational view thereof;
FIG. 10 is a right side elevational view thereof;
FIG. 11 is a bottom plan view thereof;
FIG. 12 is a perspective view thereof from the side and above; and,
FIG. 13 is a perspective view thereof from the side and below.
The dashed lines shown in FIG. 7 are for illustrative purposes only and from no part of the claimed design.

(56) **References Cited**

U.S. PATENT DOCUMENTS

- 4,314,832 A 2/1982 Fox
- 4,350,509 A 9/1982 Alseth et al.
- 4,488,889 A 12/1984 McCarroll
- 4,890,444 A 1/1990 Vander Giessen et al.
- 5,112,372 A 5/1992 Boeckermann et al.
- 5,211,846 A 5/1993 Kott et al.
- 5,800,581 A 9/1998 Gielink et al.
- D401,306 S 11/1998 Ward et al.
- D407,475 S 3/1999 Coulonvaux et al.
- D438,214 S * 2/2001 Gieseke D15/5

1 Claim, 13 Drawing Sheets



(56)

References Cited

U.S. PATENT DOCUMENTS

7,004,987	B2	2/2006	Pikesh et al.	8,414,675	B2	4/2013	Iddings et al.
7,056,368	B2	6/2006	Moredock et al.	8,529,324	B2	9/2013	Moredock et al.
7,452,409	B2	11/2008	Moredock et al.	D691,252	S	10/2013	Moredock et al.
7,537,631	B2	5/2009	Scott et al.	D694,871	S *	12/2013	Maholick D23/365
7,662,203	B2	2/2010	Scott et al.	D717,420	S *	11/2014	Von Seggern D23/365
7,815,705	B2 *	10/2010	Ehrenberg B01D 46/2414 55/428	8,945,282	B2	2/2015	Moredock et al.
D632,770	S	2/2011	Rotter et al.	D737,945	S *	9/2015	Leatzow D23/365
8,292,984	B2	10/2012	Baseotto et al.	D746,969	S *	1/2016	Leatzow D23/365
8,394,166	B2	3/2013	Scott et al.	2007/0173188	A1	7/2007	Moredock et al.
				2012/0060453	A1	3/2012	Holzmann et al.
				2014/0260144	A1 *	9/2014	Williams B01D 46/0005 55/502

* cited by examiner

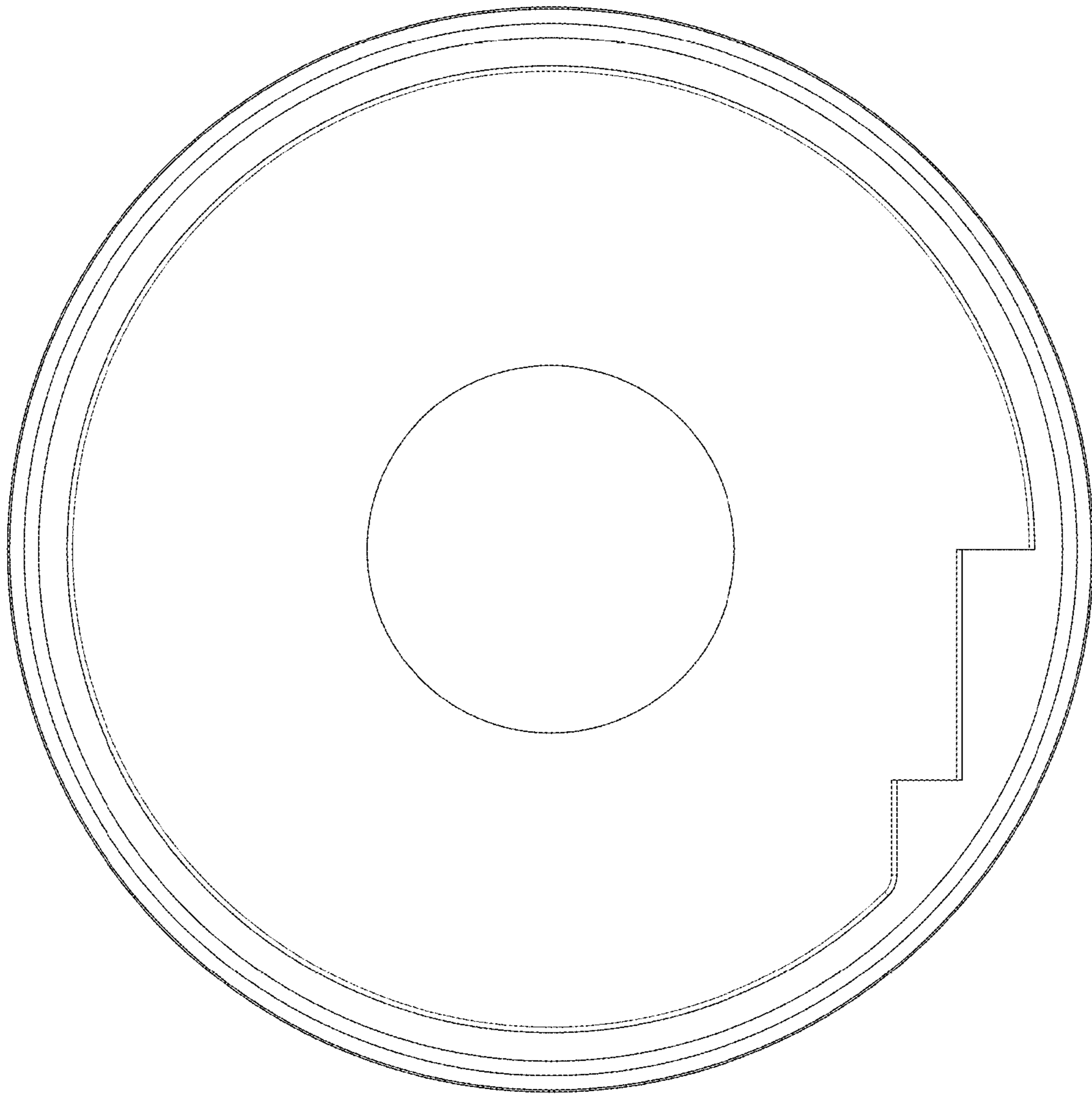


FIG. 1

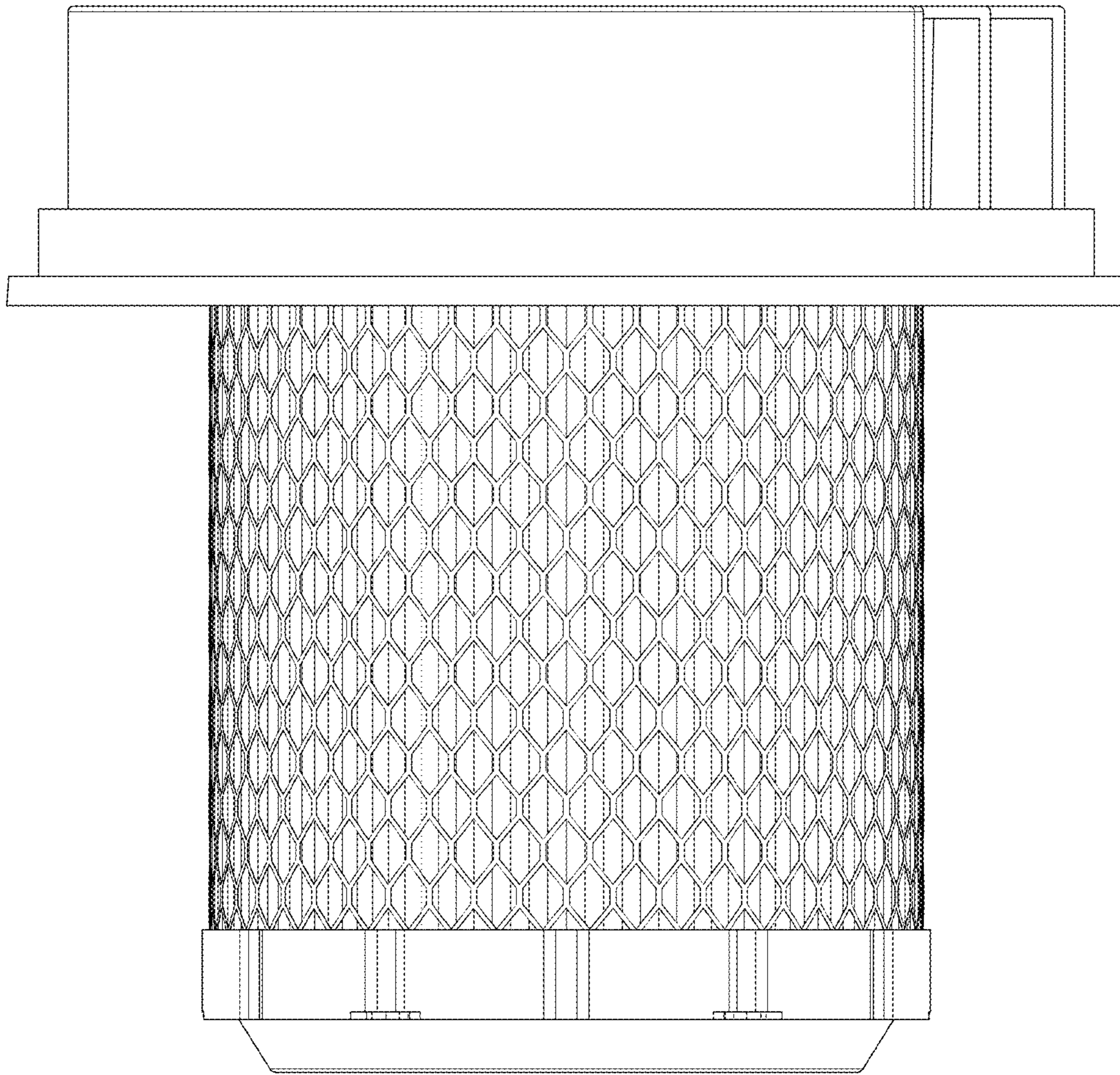


FIG. 2

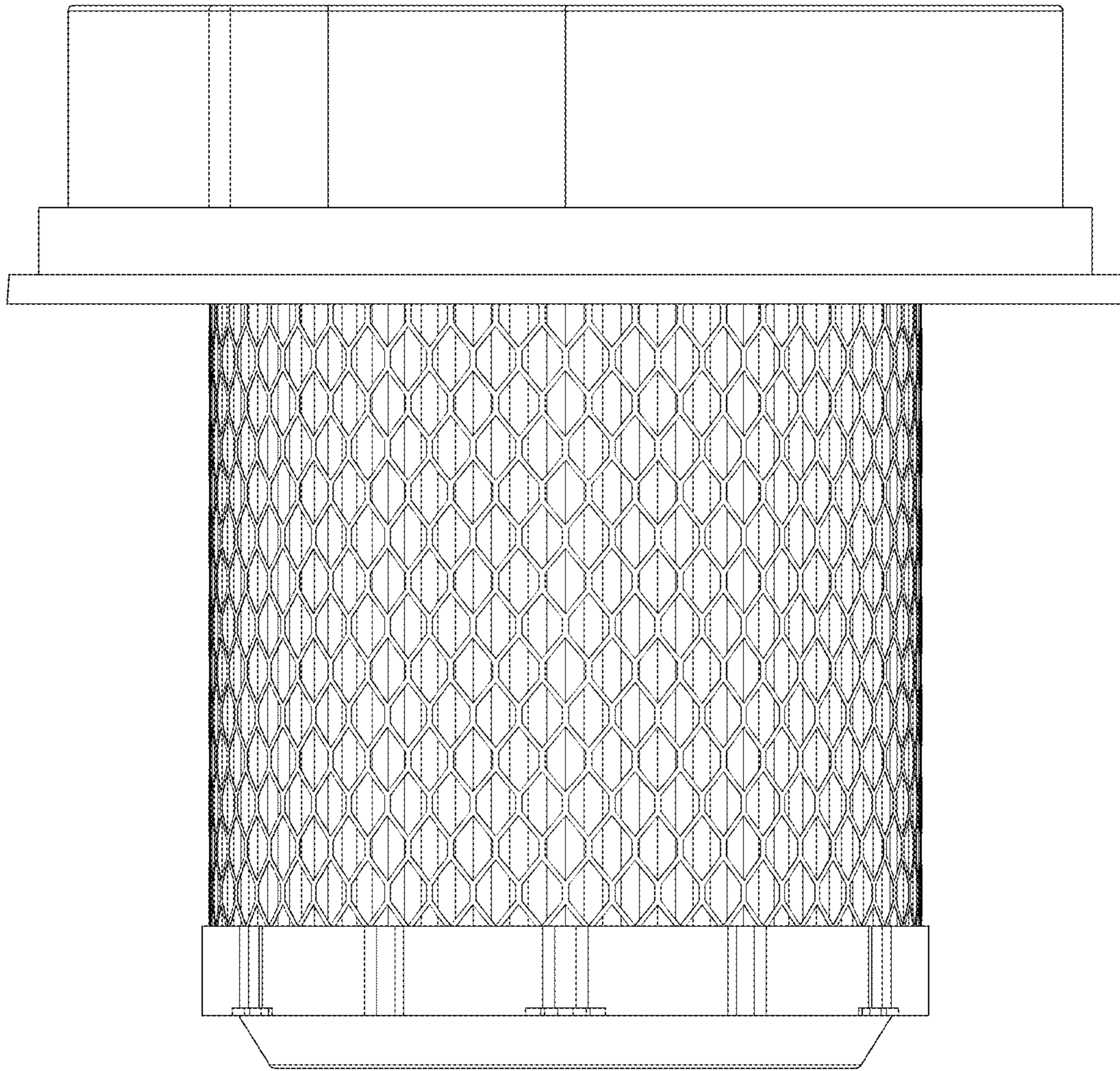


FIG. 3

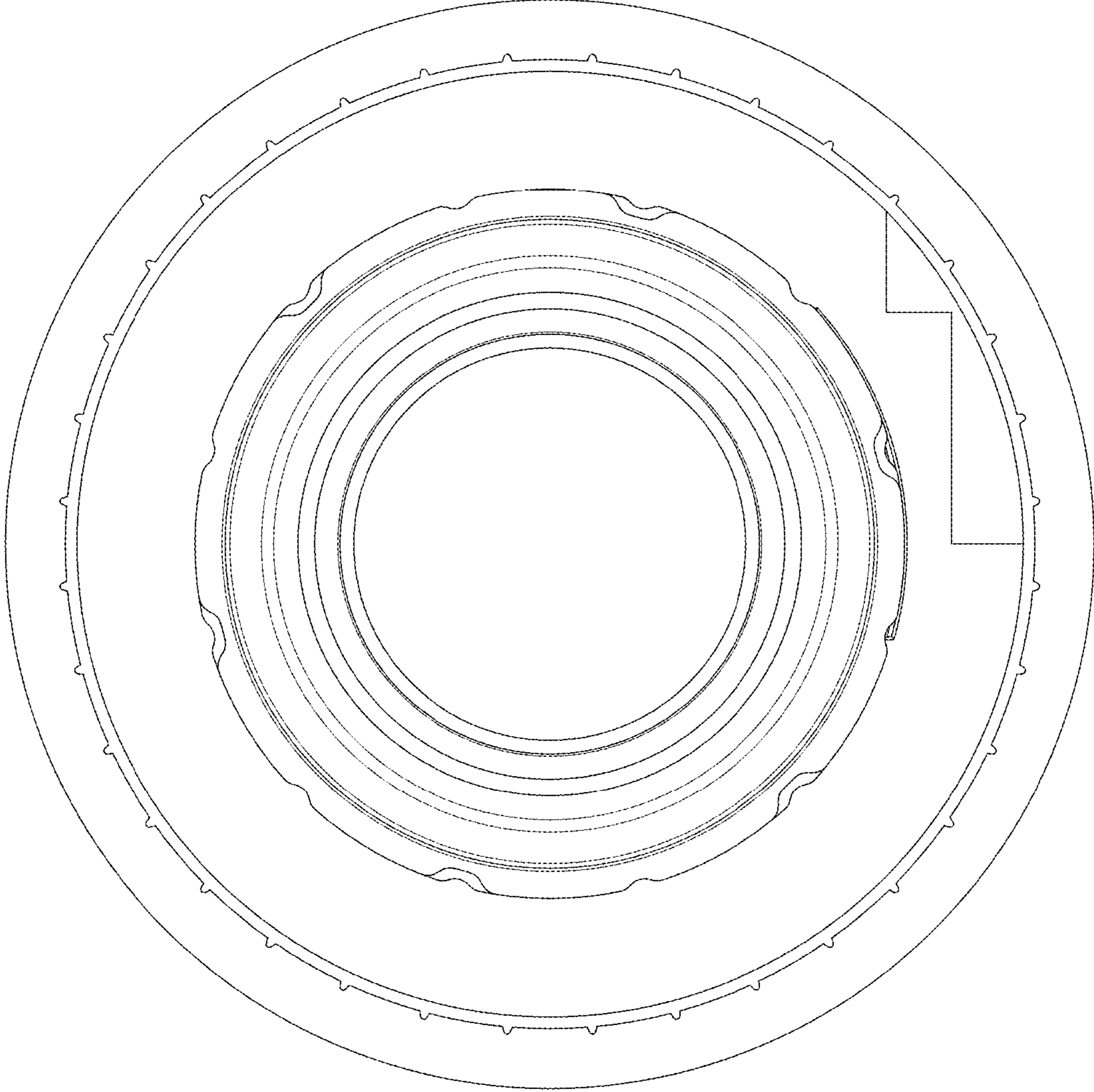


FIG. 4

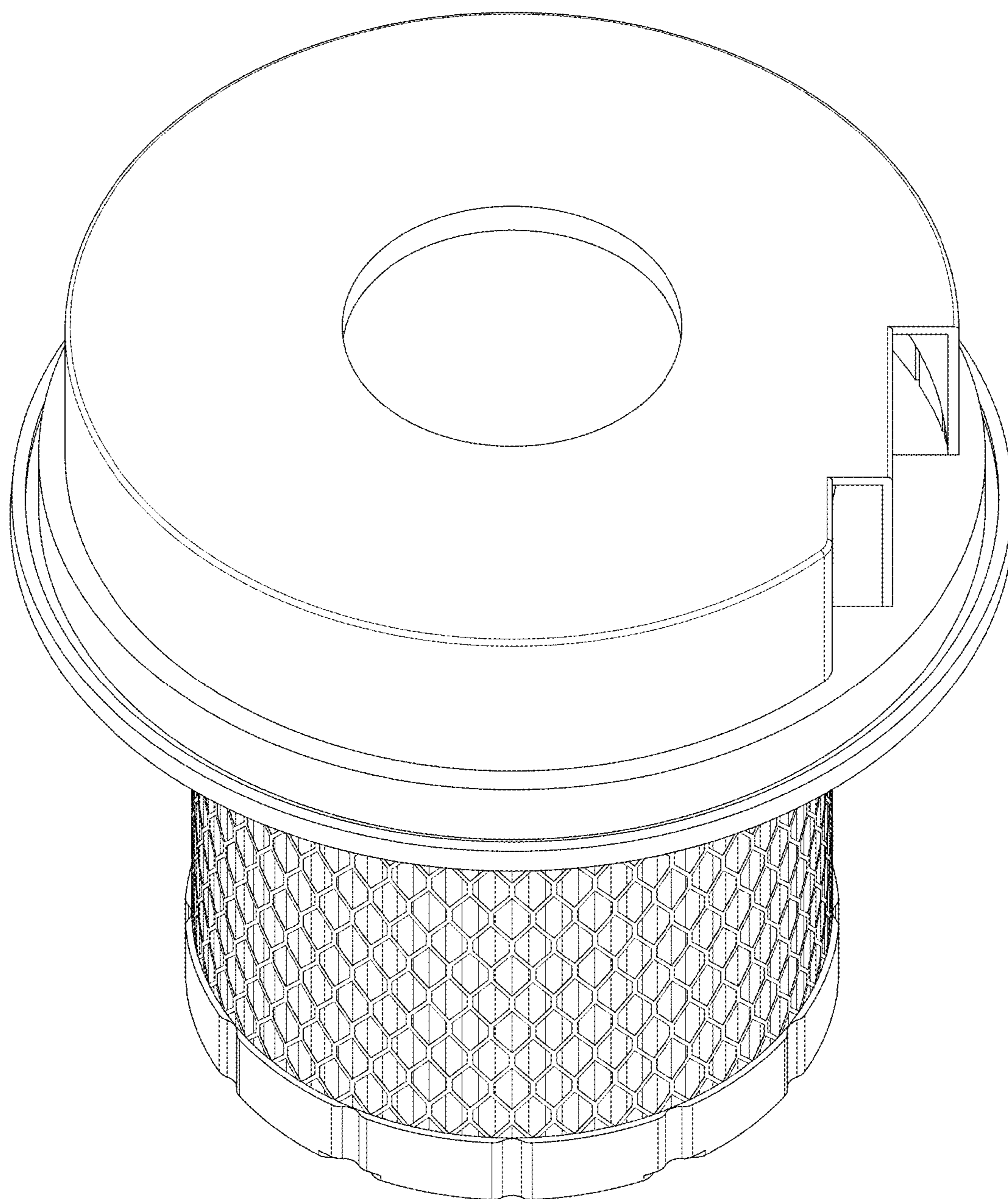


FIG. 5

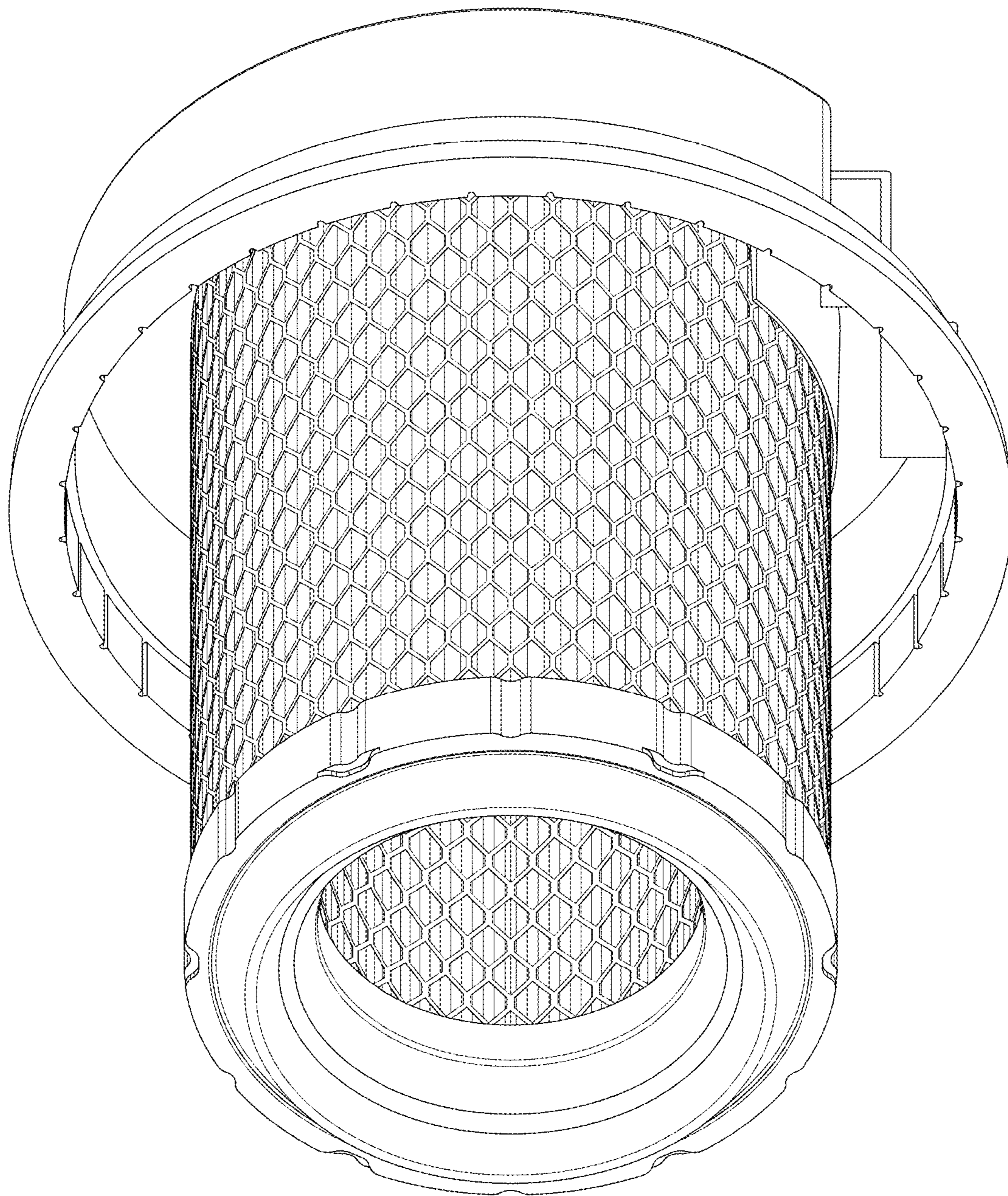


FIG. 6

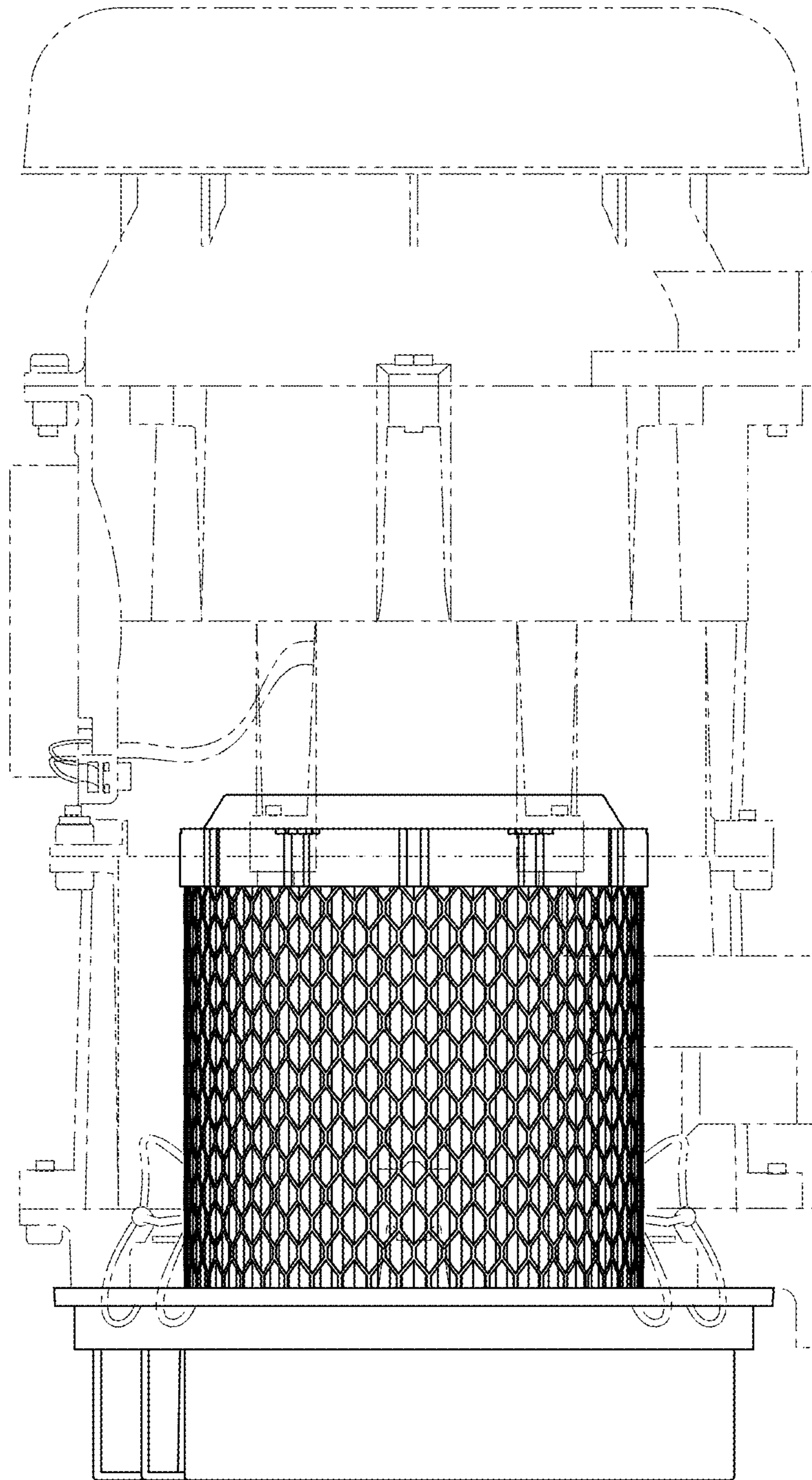


FIG. 7

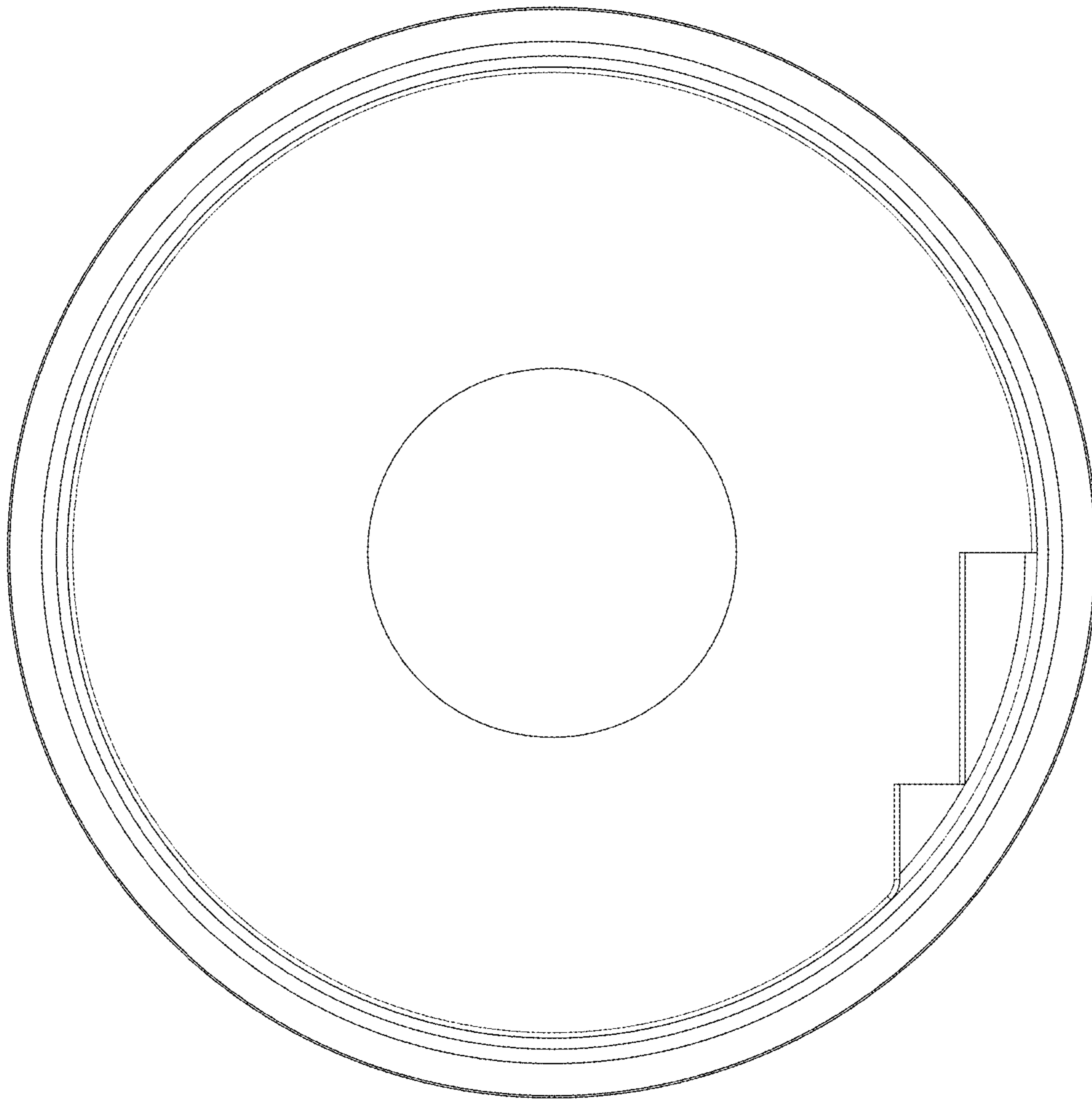


FIG. 8

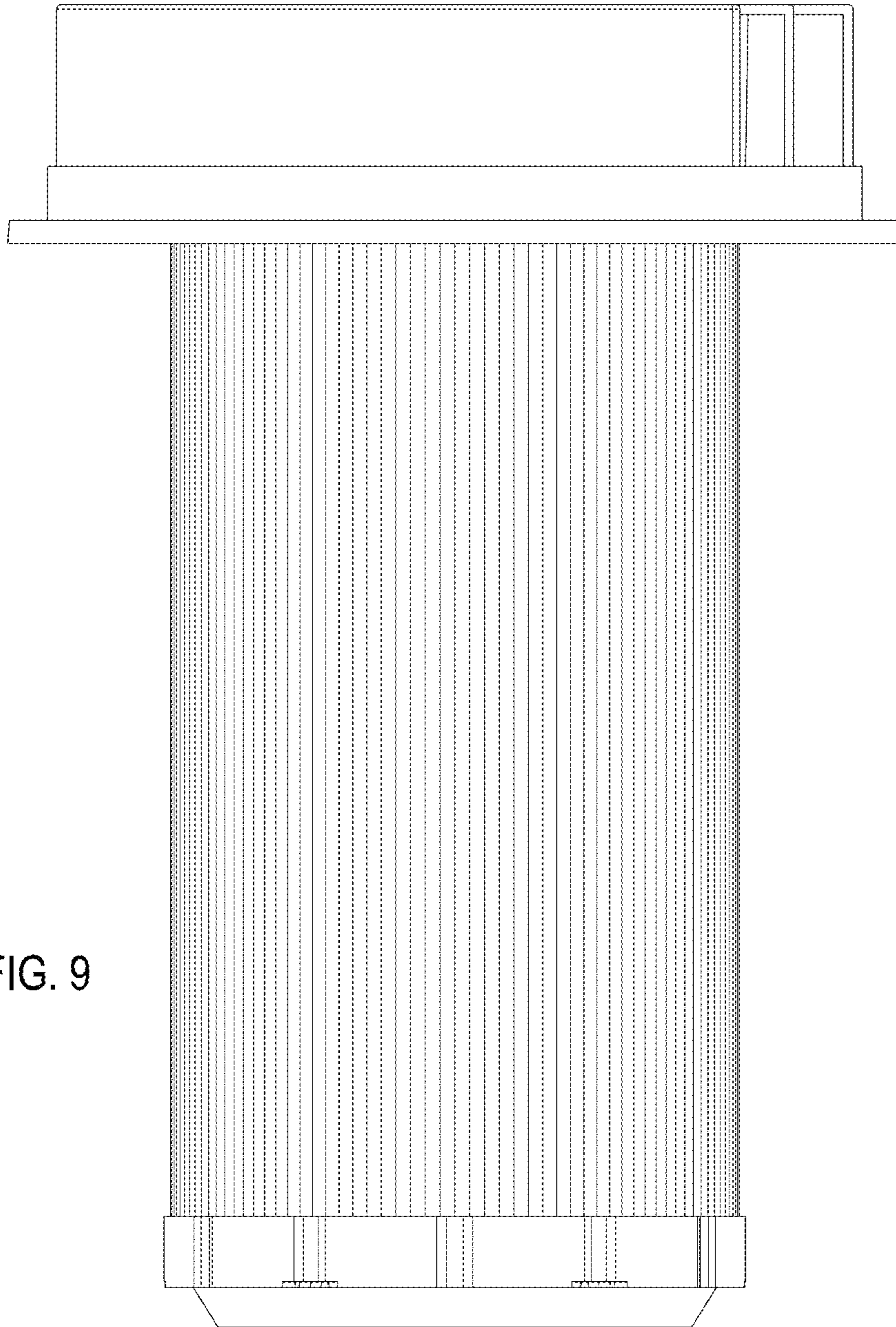


FIG. 9

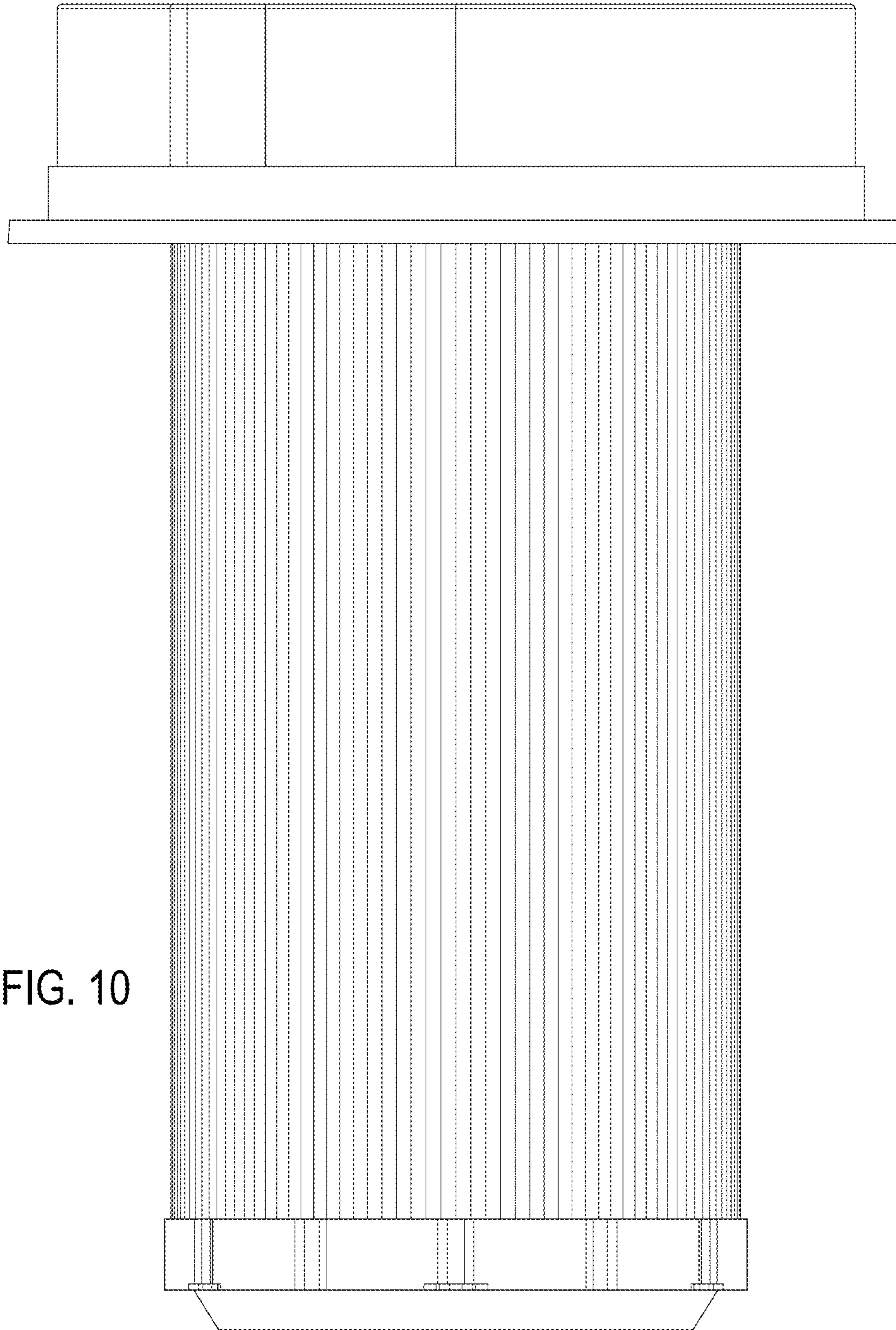


FIG. 10

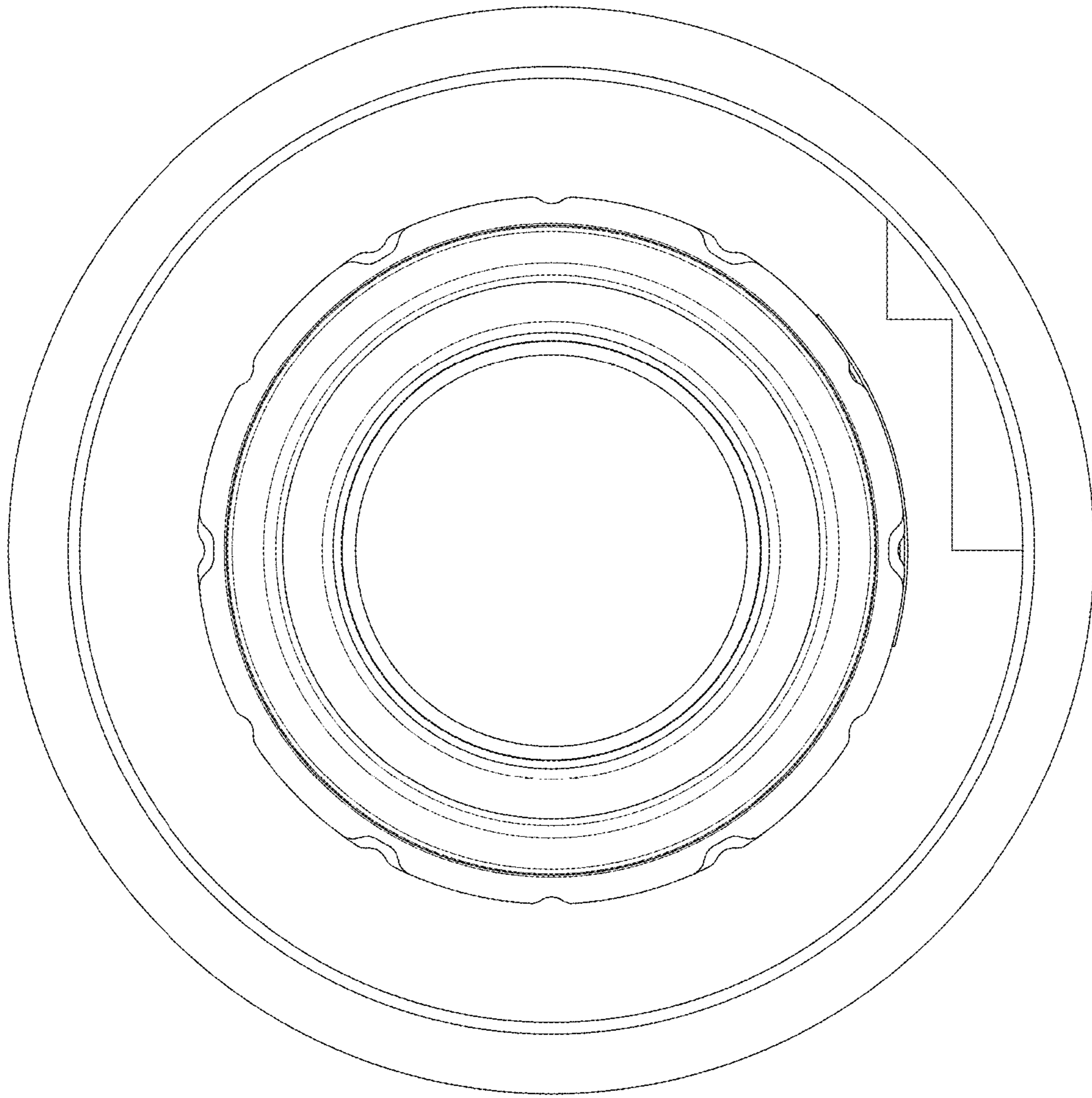


FIG. 11

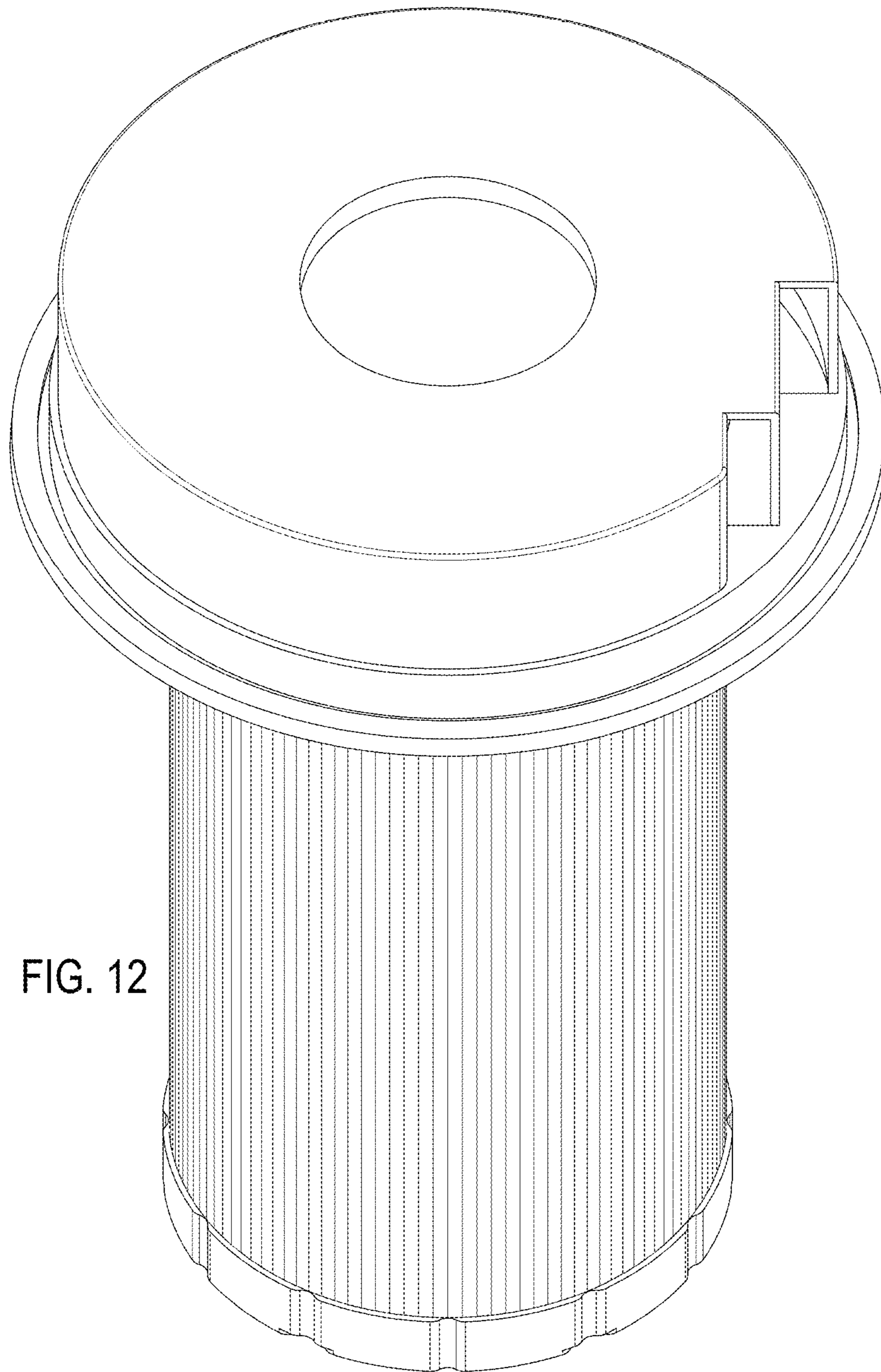


FIG. 12

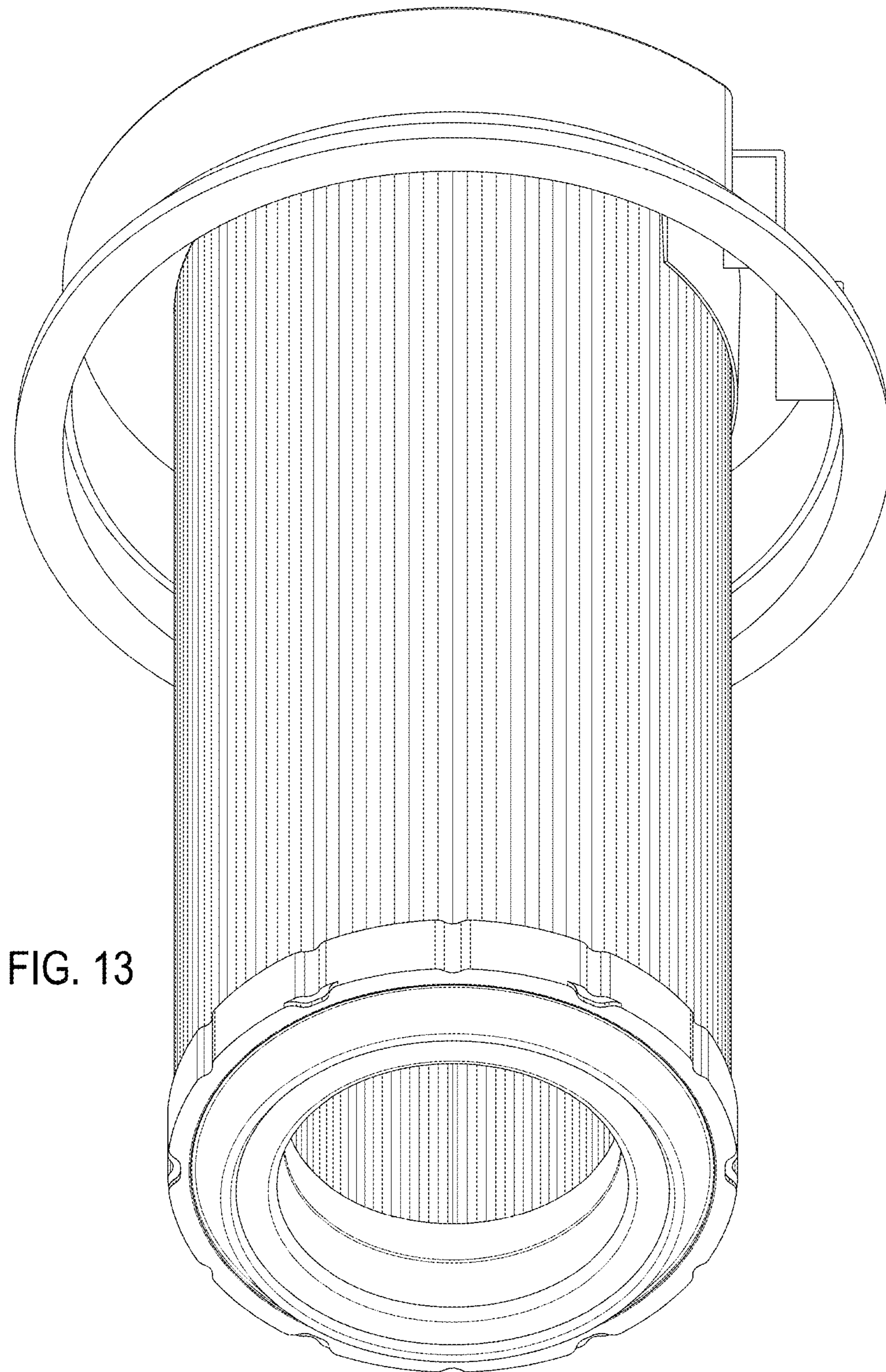


FIG. 13