



US00D768276S

(12) **United States Design Patent**
Kim et al.

(10) **Patent No.:** **US D768,276 S**
(45) **Date of Patent:** **** Oct. 4, 2016**

(54) **FRONT PANEL FOR AIR CONDITIONER**

(71) Applicant: **LG ELECTRONICS INC.**, Seoul (KR)

(72) Inventors: **Myungshik Kim**, Seoul (KR);
Sangmoon Jeong, Gyeonggi-do (KR);
Yong Kim, Seoul (KR); **Huijae Kwon**, Seoul (KR)

(73) Assignee: **LG Electronics Inc.**, Seoul (KR)

(**) Term: **14 Years**

(21) Appl. No.: **29/488,612**

(22) Filed: **Apr. 22, 2014**

(51) **LOC (10) Cl.** **23-04**

(52) **U.S. Cl.**
USPC **D23/354**

(58) **Field of Classification Search**
USPC D23/314, 317, 324, 325, 328, 329, 330,
D23/332, 333, 335, 341, 342, 351, 353, 354,
D23/355, 356, 357, 359, 364, 365, 366, 370,
D23/375, 379, 385, 386, 388, 393, 499
CPC F24F 1/00; F24F 1/02; F24F 1/08;
F24F 1/42; F24F 1/46; F24F 1/60; F24F
1/0003; F24F 1/007; F24F 1/0011; F24F
3/044; F24F 3/048; F24F 3/16; F24F 7/00;
F24F 7/04; F24F 12/001; F24F 12/006;
F24F 13/20

See application file for complete search history.

(56) **References Cited**

U.S. PATENT DOCUMENTS

D401,682 S * 11/1998 Galeazzi D23/351
D448,462 S * 9/2001 Nanjo D23/351

D452,905 S * 1/2002 Peng D23/370
D539,887 S * 4/2007 Kato D23/351
D539,888 S * 4/2007 Tsuji D23/351
D553,720 S * 10/2007 Kato D23/351
D553,727 S * 10/2007 Kato D23/351
D579,094 S * 10/2008 Motonishi D23/351
D603,031 S * 10/2009 Kashimoto D23/351
D606,640 S * 12/2009 Kim D23/351
D606,641 S * 12/2009 Kim D23/351
D621,491 S * 8/2010 Tsuji D23/351
D631,144 S * 1/2011 Tsuji D23/351

* cited by examiner

Primary Examiner — Susan E Krakower

Assistant Examiner — Lisa A Grabenstetter

(74) *Attorney, Agent, or Firm* — Morgan, Lewis & Bockius LLP

(57) **CLAIM**

The ornamental design for a front panel for air conditioner, as shown and described.

DESCRIPTION

FIG. 1 is a front, left side, perspective view of a front panel for air conditioner showing our new design;

FIG. 2 is a front view thereof;

FIG. 3 is a rear view thereof;

FIG. 4 is a left side view thereof;

FIG. 5 is a right side view thereof;

FIG. 6 is a top view thereof; and,

FIG. 7 is a bottom view thereof.

The broken line portions of FIG. 3 are included to show unclaimed subject matter only and form no part of the claimed design.

1 Claim, 5 Drawing Sheets

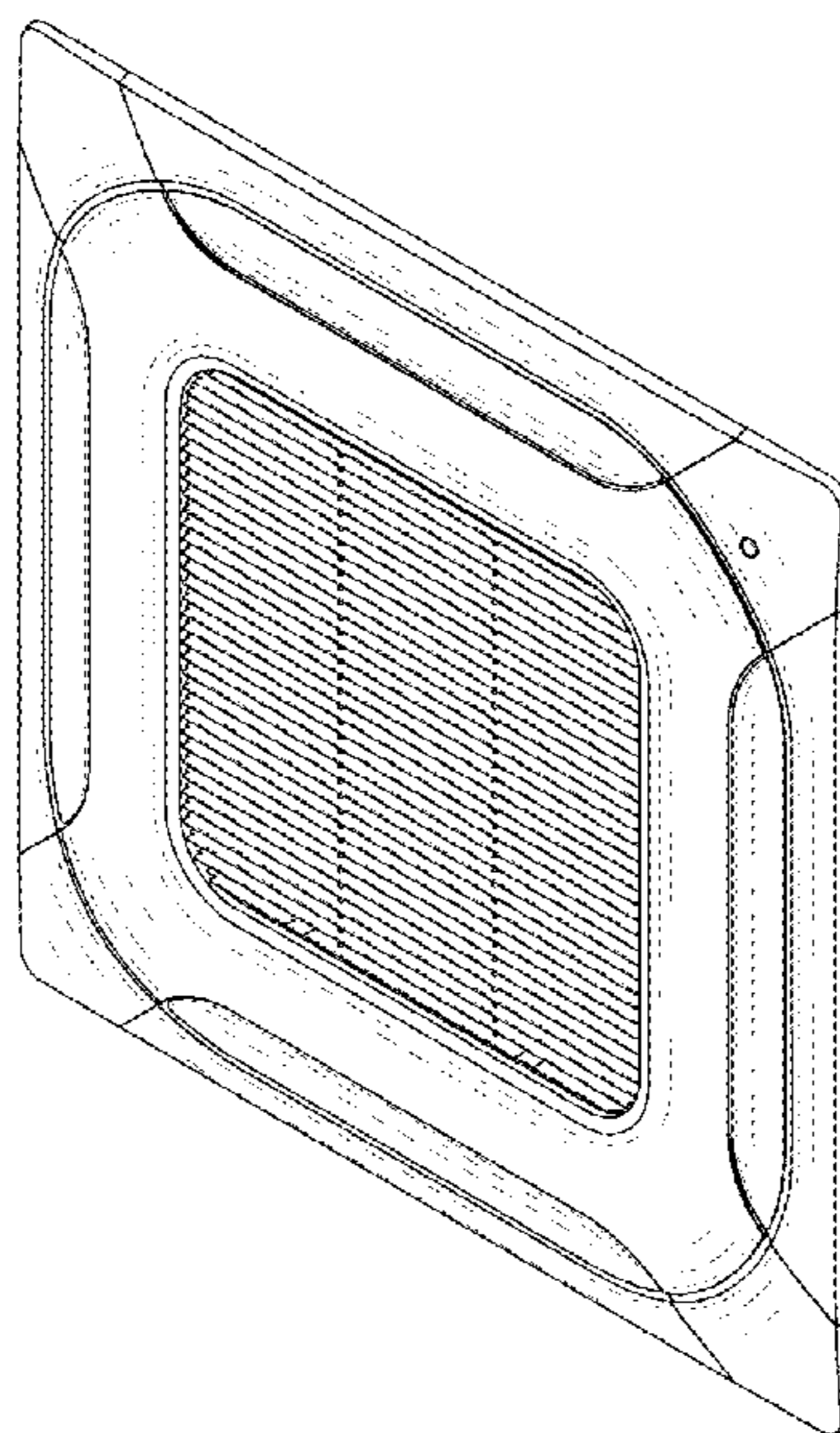


FIG. 1

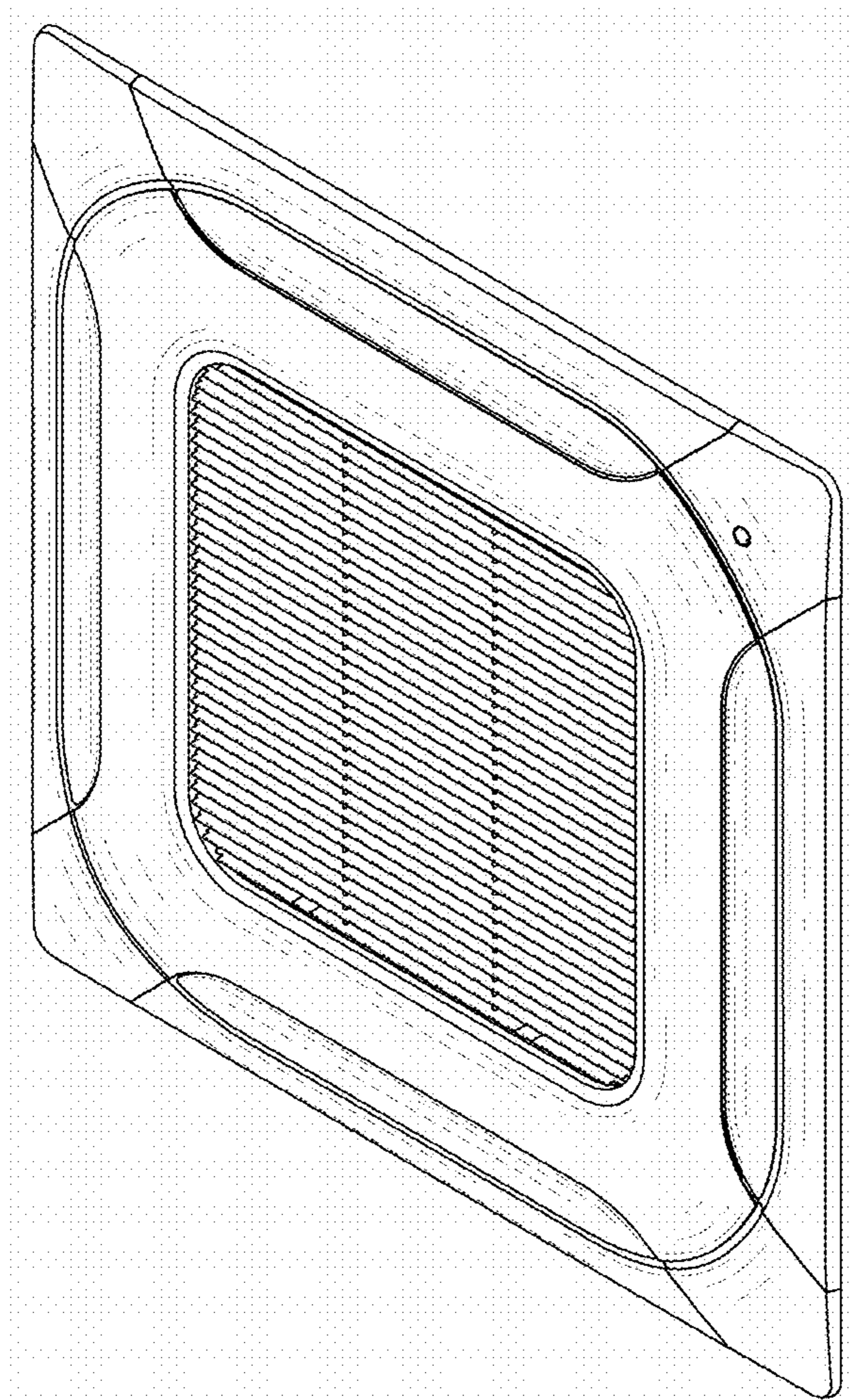


FIG. 2

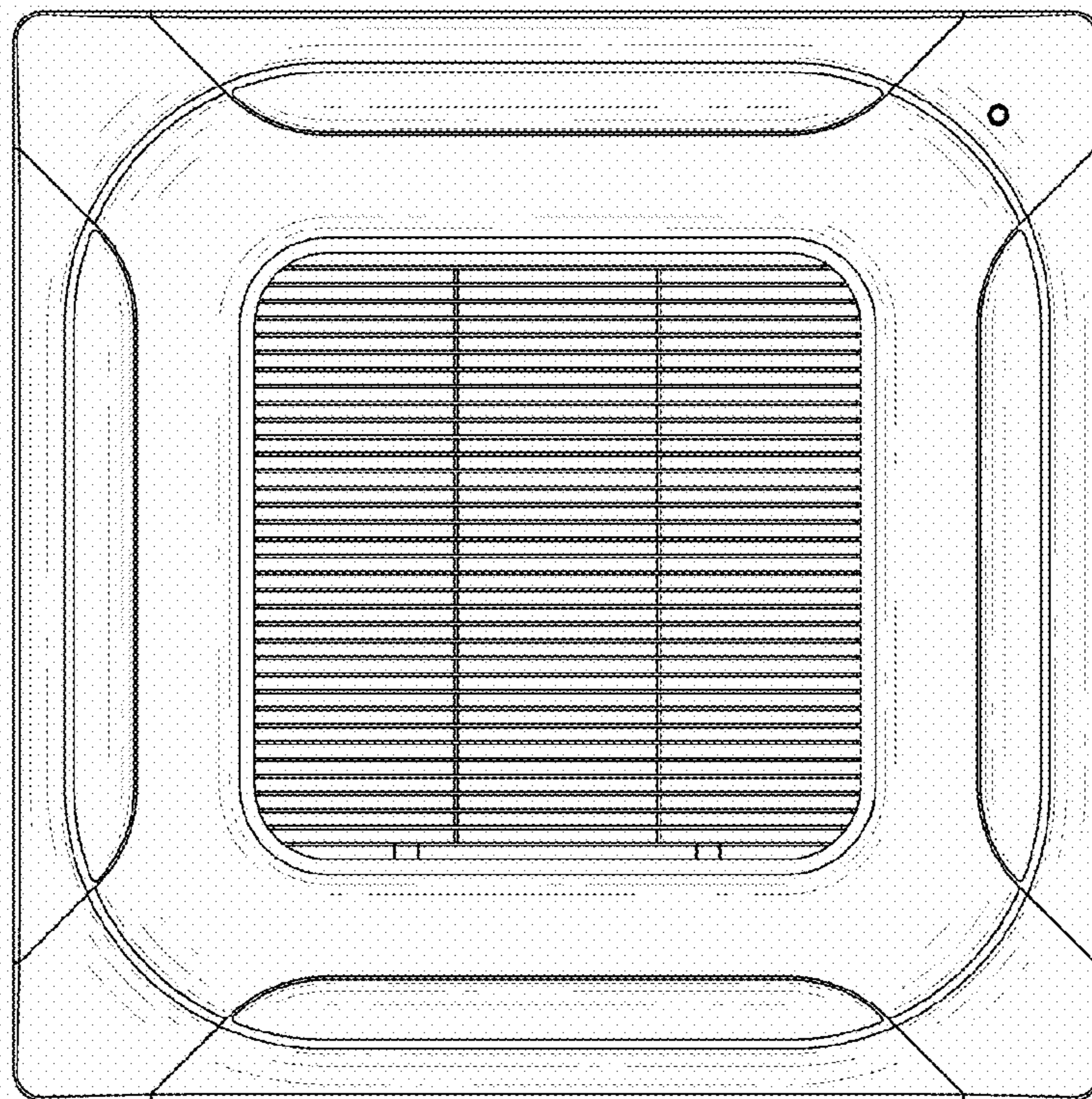


FIG. 3

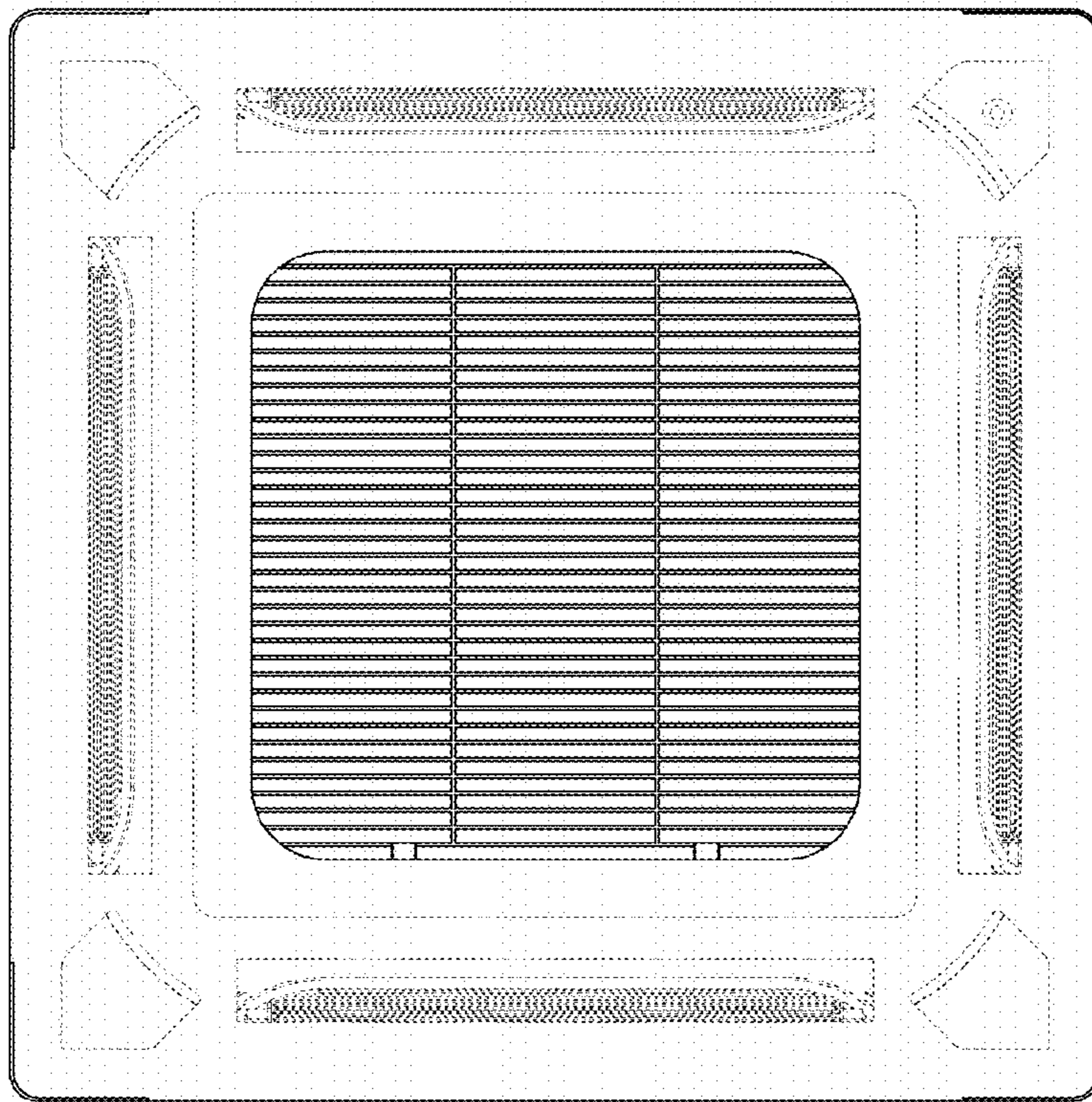


FIG. 4

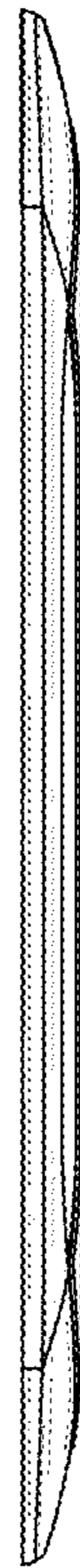


FIG. 5

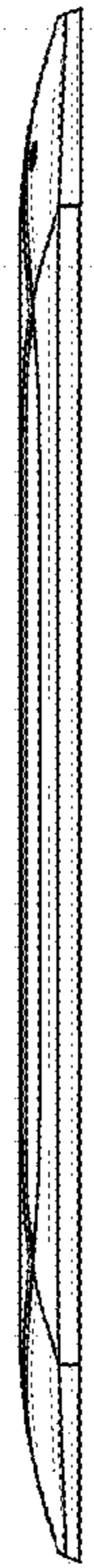


FIG. 6

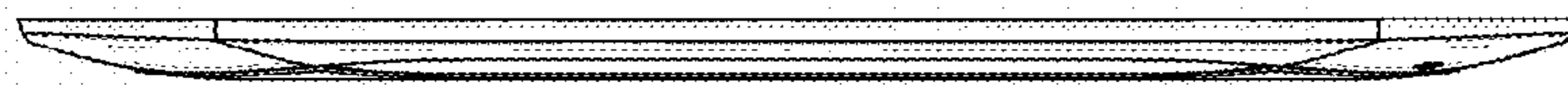


FIG. 7

