



US00D768270S

(12) **United States Design Patent**
Yamamoto et al.

(10) **Patent No.:** **US D768,270 S**

(45) **Date of Patent:** **** Oct. 4, 2016**

(54) **DRAIN PAN FOR HEAT EXCHANGER**

D720,447 S * 12/2014 Korda D23/386
D742,488 S * 11/2015 Iinuma D23/323
2005/0109053 A1* 5/2005 Eom F24F 1/0007
62/285

(71) Applicant: **mitsubishi electric corporation**, Tokyo (JP)

(Continued)

(72) Inventors: **Keiichi Yamamoto**, Tokyo (JP);
Tomoki Hayashi, Tokyo (JP); **Hiroyuki Masuda**, Tokyo (JP)

Primary Examiner — T. Chase Nelson

Assistant Examiner — Ania Aman

(73) Assignee: **Mitsubishi Electric Corporation**, Tokyo (JP)

(74) *Attorney, Agent, or Firm* — Stuebaker & Brackett PC

(**) Term: **14 Years**

(57) **CLAIM**

The ornamental design for a drain pan for heat exchanger, as shown and described.

(21) Appl. No.: **29/524,791**

DESCRIPTION

(22) Filed: **Apr. 23, 2015**

FIG. 1. is a front perspective view of the front, left, and bottom sides of a drain pan for heat exchanger showing a first embodiment of our new design;

(30) **Foreign Application Priority Data**

Nov. 19, 2014 (JP) 2014-025858
Nov. 19, 2014 (JP) 2014-025860

FIG. 2. is a front perspective view of the front, right, and top sides thereof;

(51) **LOC (10) Cl.** **23-03**

FIG. 3. is a front view thereof;

(52) **U.S. Cl.**
USPC **D23/323**

FIG. 4. is a rear view thereof;

(58) **Field of Classification Search**
USPC D23/323, 385-395, 397, 370-373, 365,
D23/351, 354, 399-403, 421, 499, 259, 200,
D23/314, 341, 333; 62/291

FIG. 5. is a left side view thereof;

CPC .. F24F 13/222; F24F 2013/227; F24F 13/32;
F25D 21/14

FIG. 6. is a right side view thereof;

See application file for complete search history.

FIG. 7. is a top plan view thereof;

FIG. 8. is a bottom view thereof;

FIG. 9. is a reference view of usage;

FIG. 10. is a front perspective view of the front, left, and bottom sides of a drain pan for heat exchanger showing a second embodiment of our new design;

FIG. 11. is a front perspective view of the front, right, and top sides thereof;

(56) **References Cited**

U.S. PATENT DOCUMENTS

5,284,027 A * 2/1994 Martin, Sr. F24F 13/30
165/126
5,715,697 A * 2/1998 Rust, Jr. F24F 1/0007
62/286
5,904,053 A * 5/1999 Polk F24F 13/22
62/285
5,987,909 A * 11/1999 Martin, Sr. F24F 13/222
62/288
6,868,689 B1 * 3/2005 McNeil F24F 13/222
62/285

FIG. 12. is a front view thereof;

FIG. 13. is a rear view thereof;

FIG. 14. is a left side view thereof;

FIG. 15. is a right side view thereof;

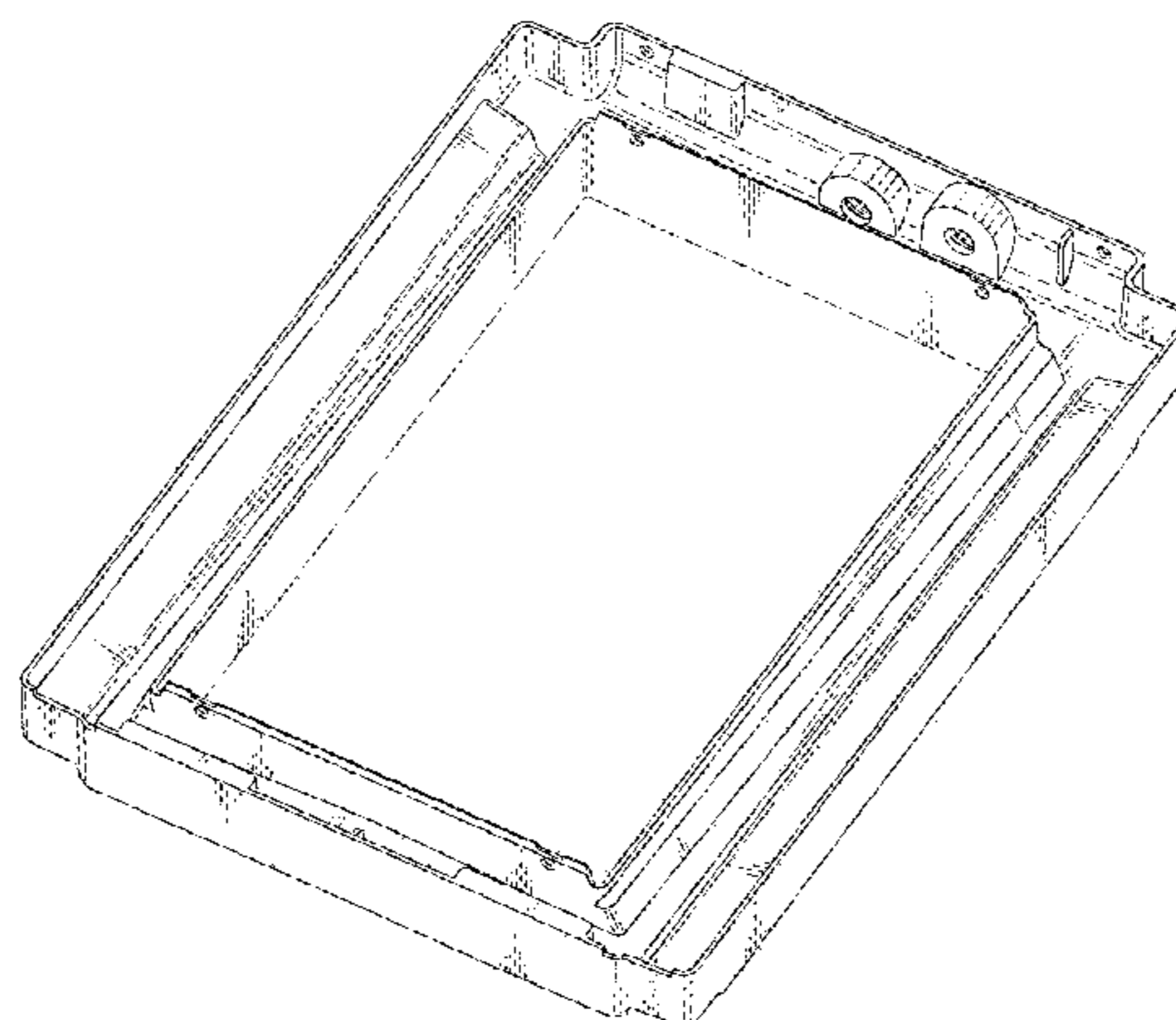
FIG. 16. is a top plan view thereof;

FIG. 17. is a bottom view thereof; and,

FIG. 18. is a reference view of usage.

The broken lines shown represent unclaimed subject matter of the drain pan for heat exchanger and form no part of the claimed design.

1 Claim, 14 Drawing Sheets



US D768,270 S

Page 2

(56)

References Cited

U.S. PATENT DOCUMENTS

2005/0109055 A1*	5/2005	Goetzinger	F24F 13/222 62/291	2007/0169498 A1*	7/2007	Rios	F24F 13/222 62/285
2007/0169496 A1*	7/2007	Rios	F24F 13/222 62/285	2015/0153064 A1*	6/2015	Mercer	F24F 1/0007 62/291
				2015/0153094 A1*	6/2015	Mercer	F25D 21/08 62/276

* cited by examiner

Fig. 1

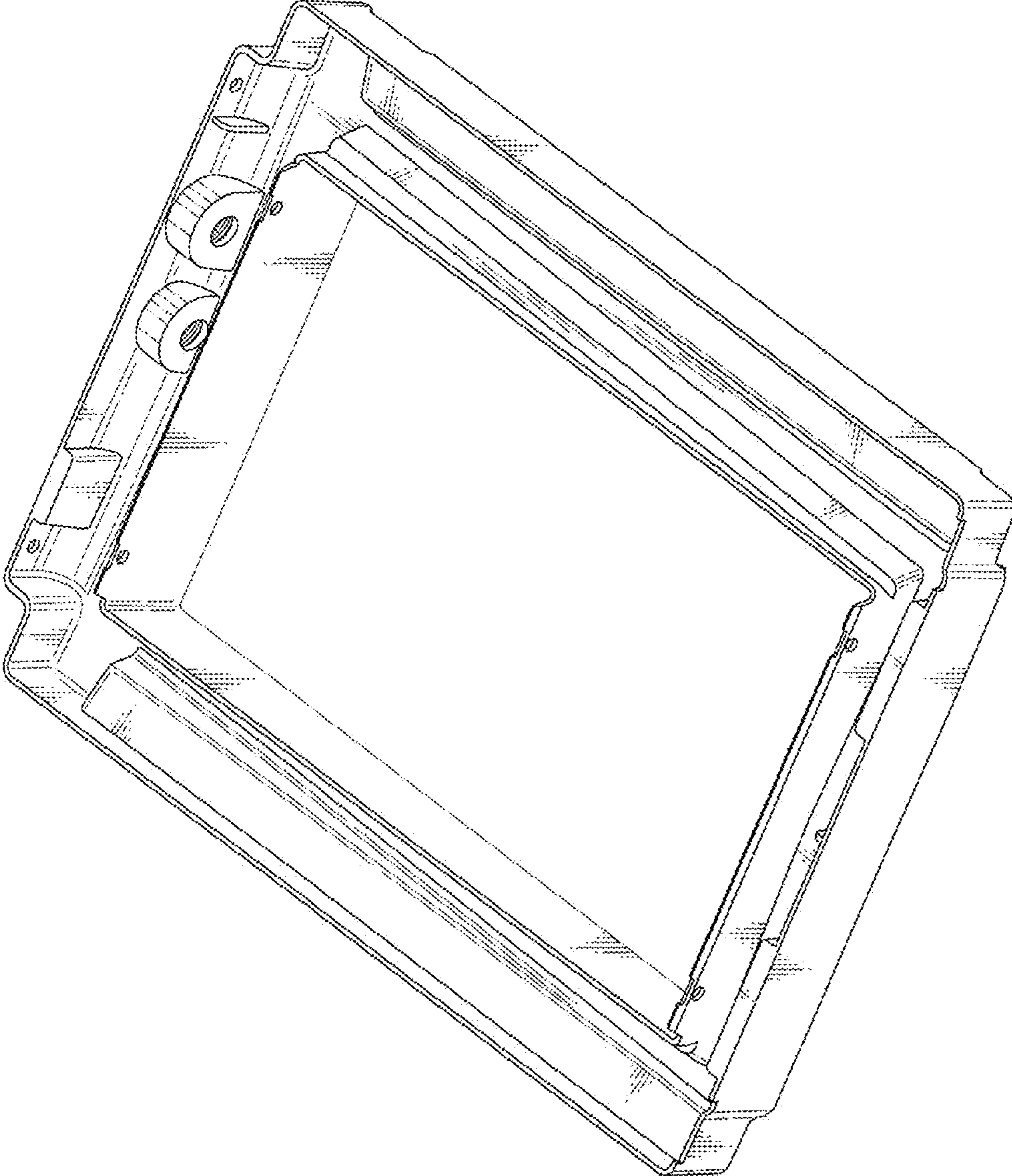


Fig. 2

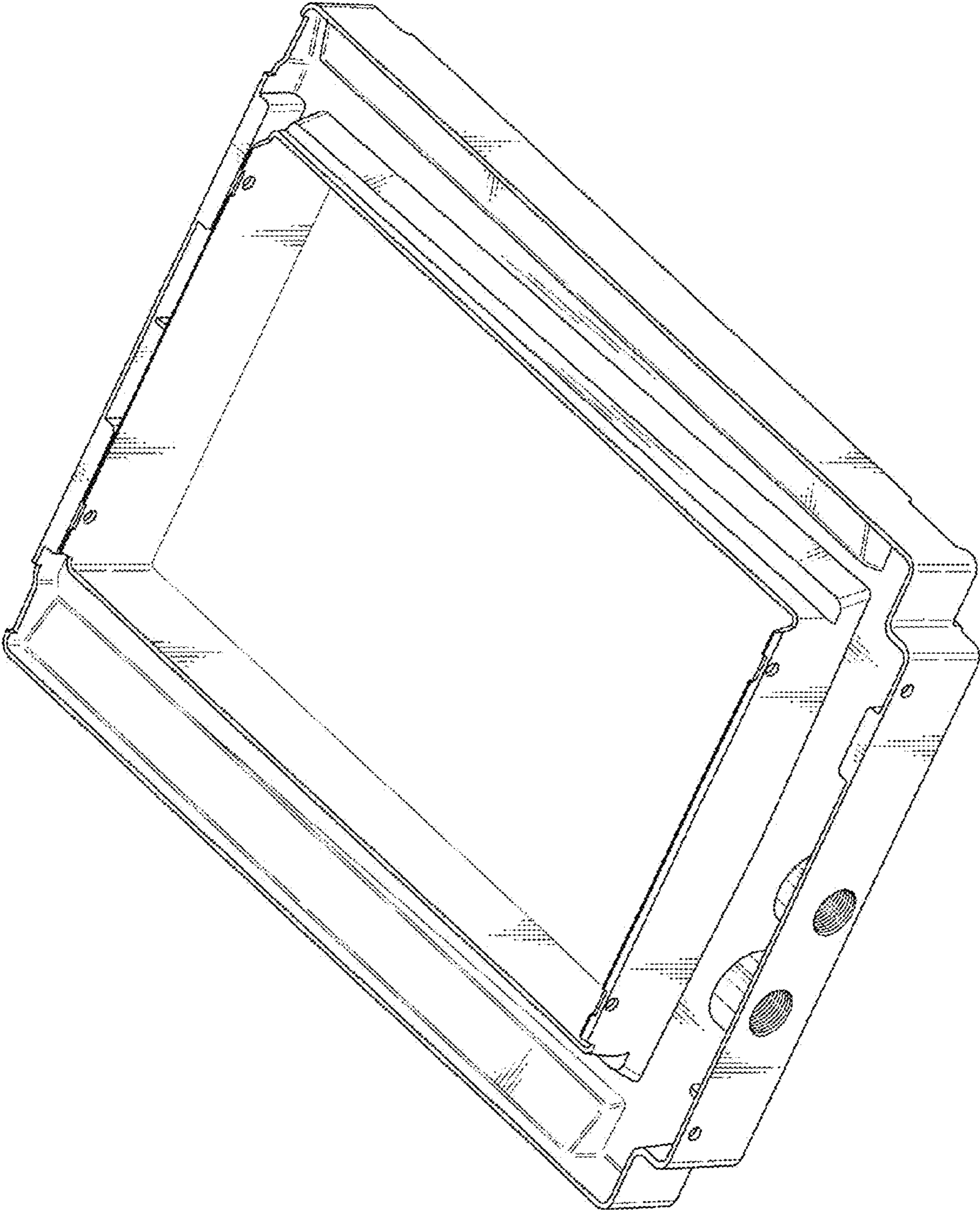


Fig. 3

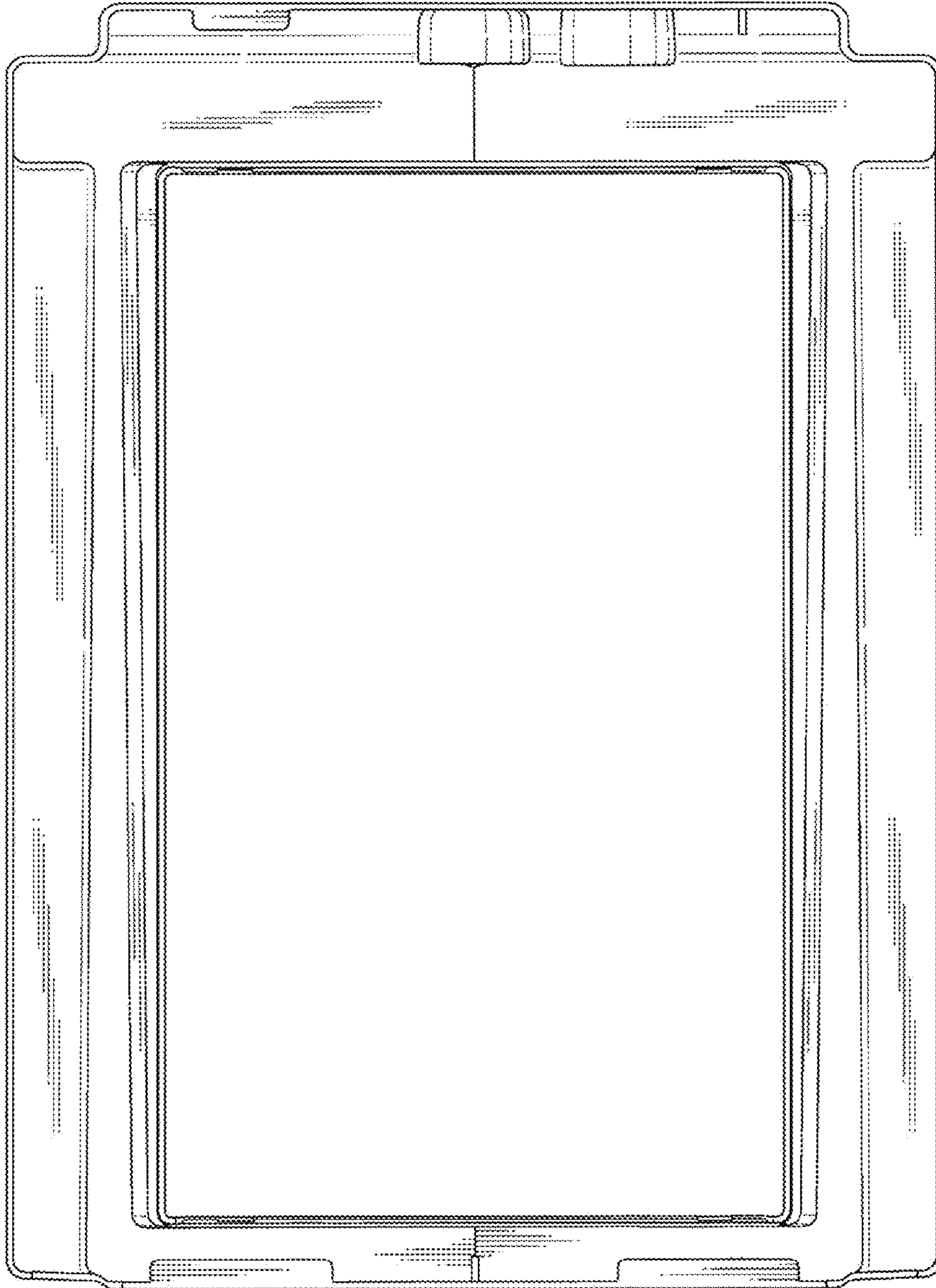


Fig. 4

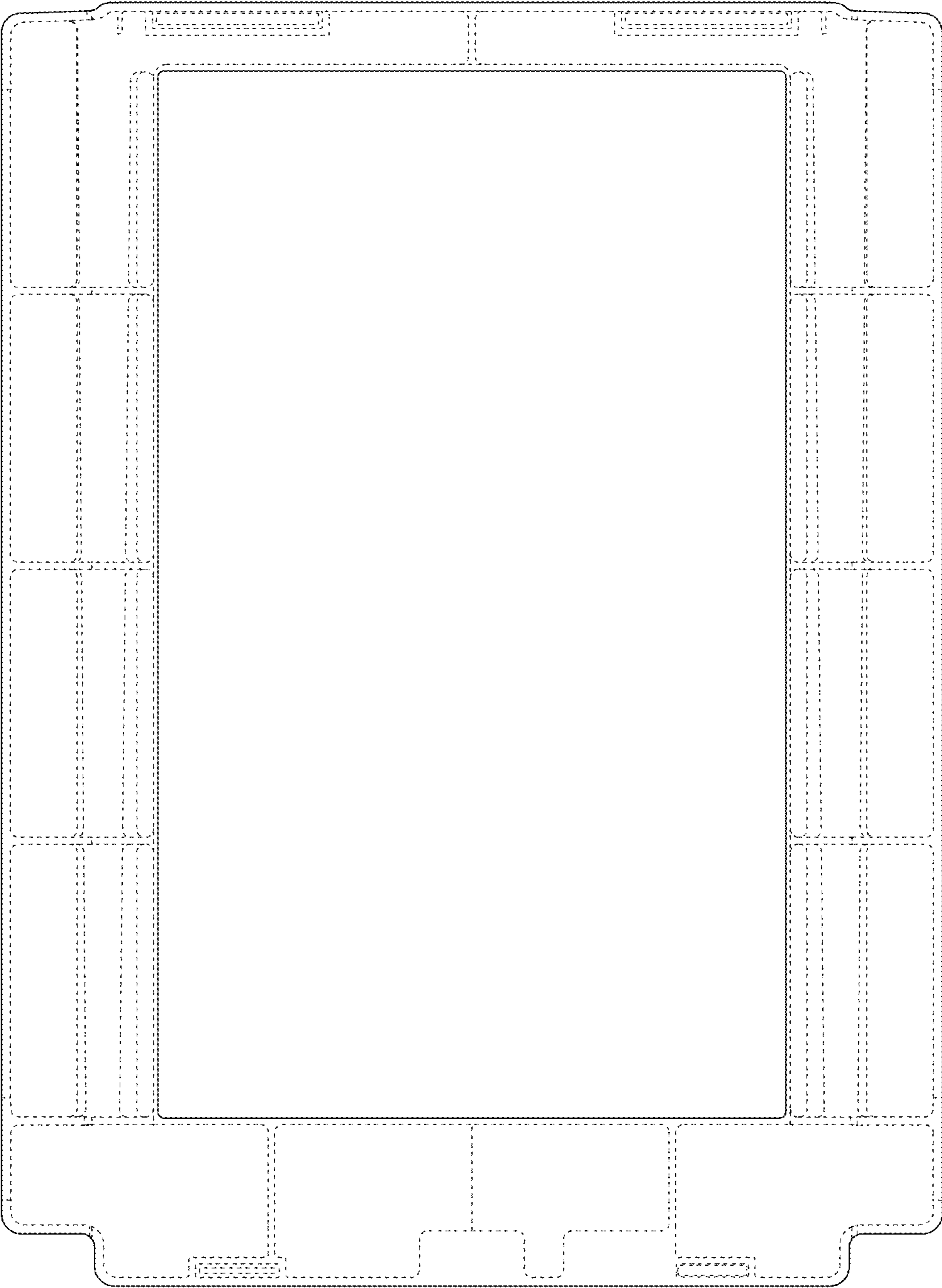


Fig. 6

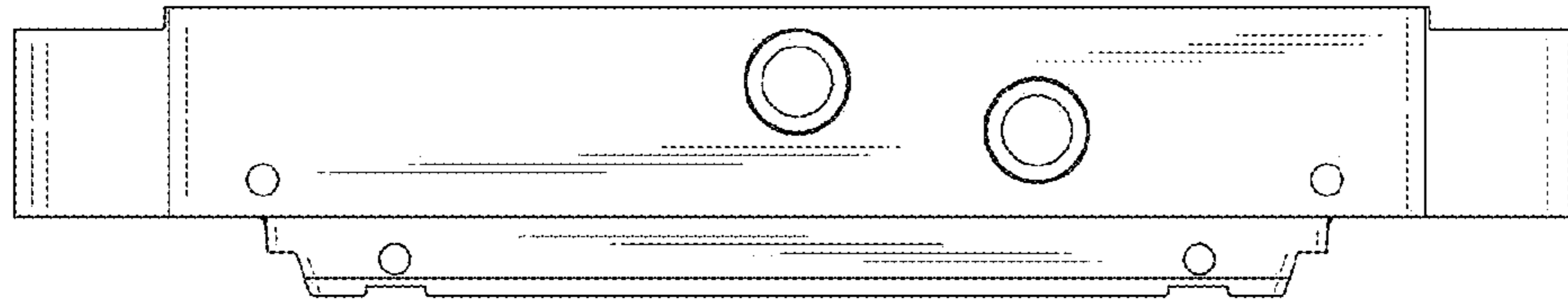


Fig. 5

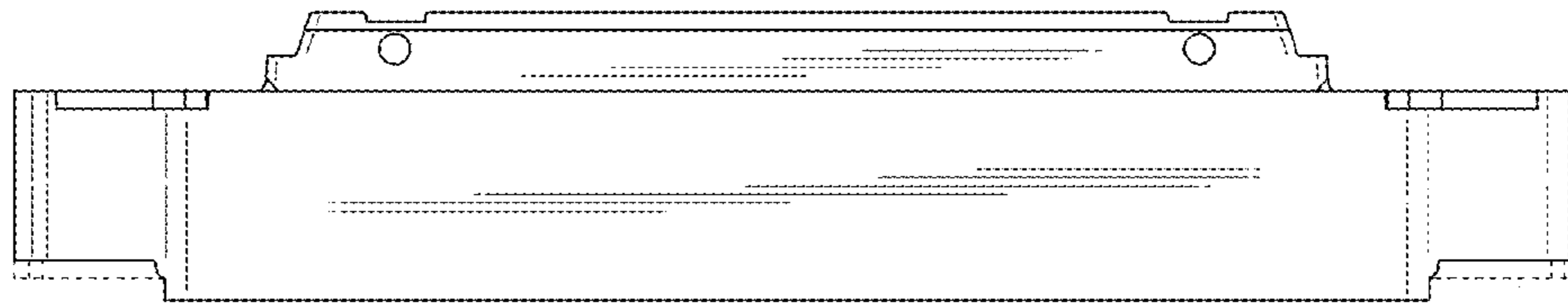


Fig. 7

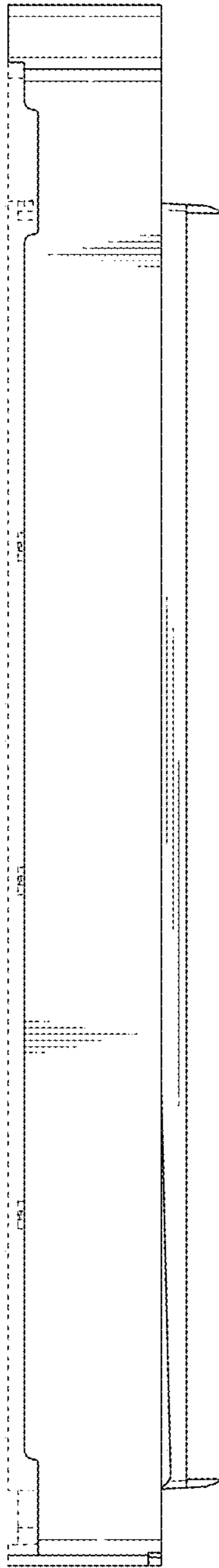


Fig. 8

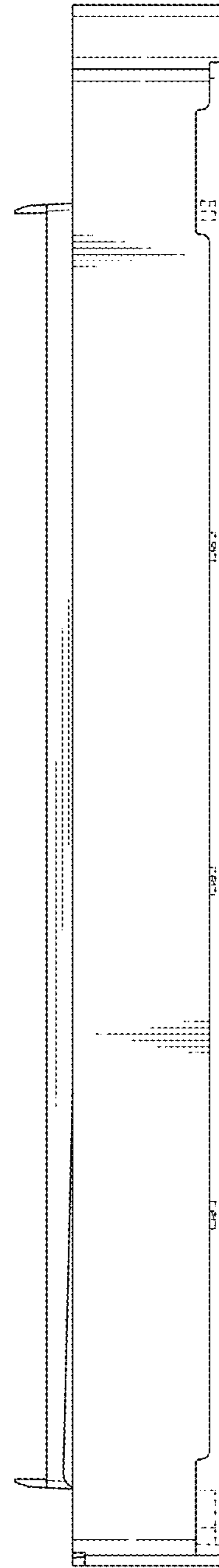


Fig. 9

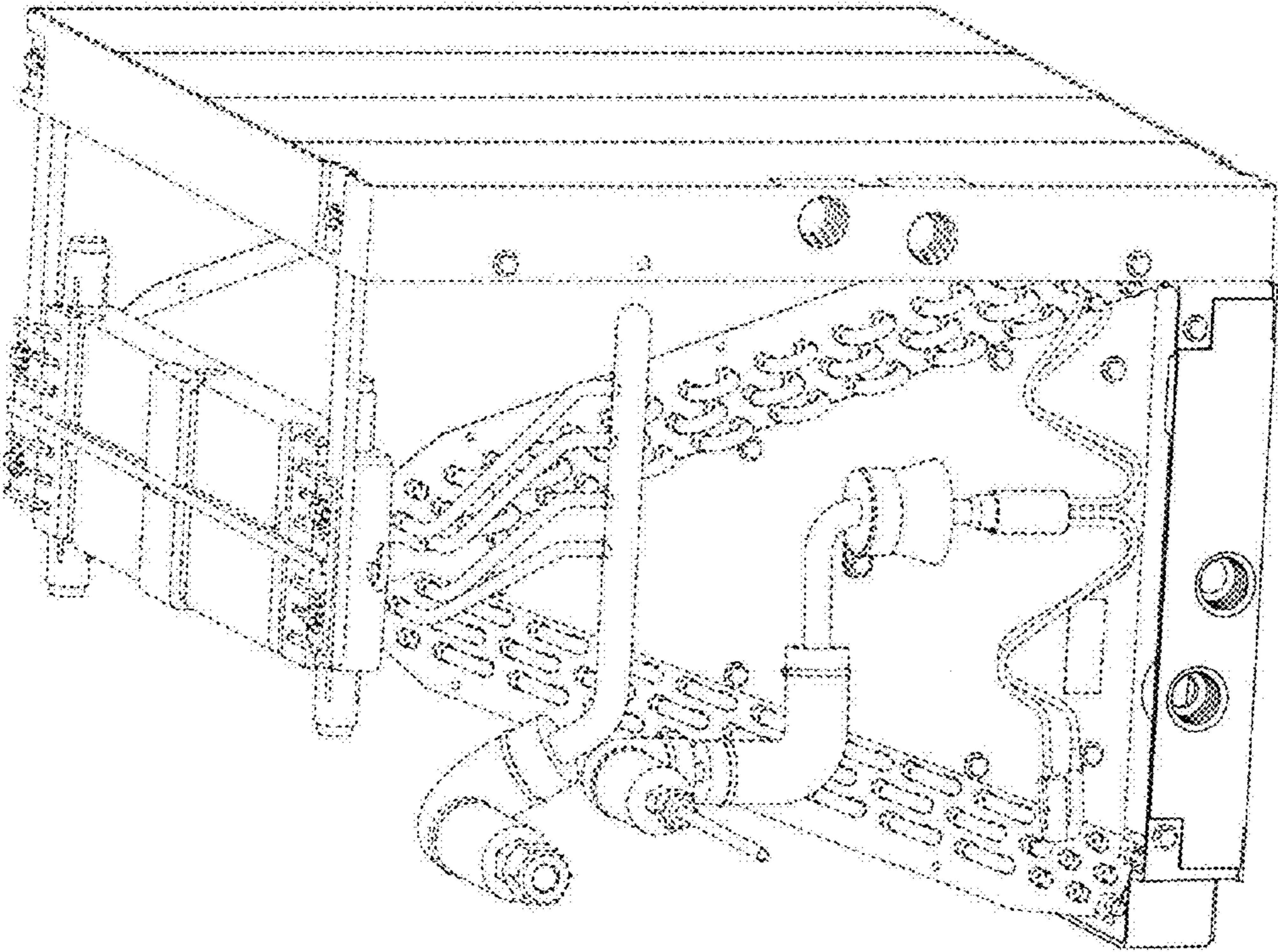


Fig. 10

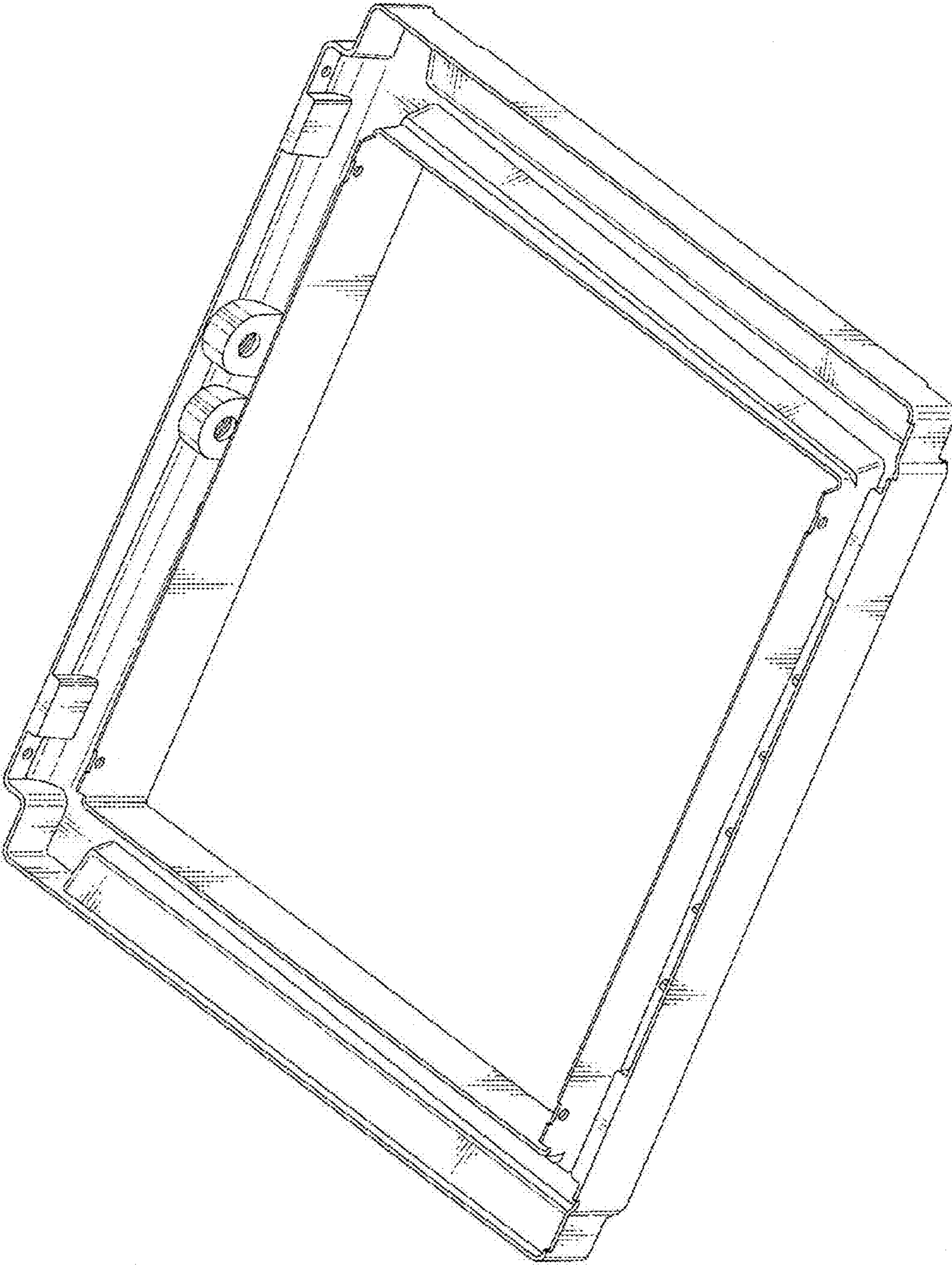


Fig. 11

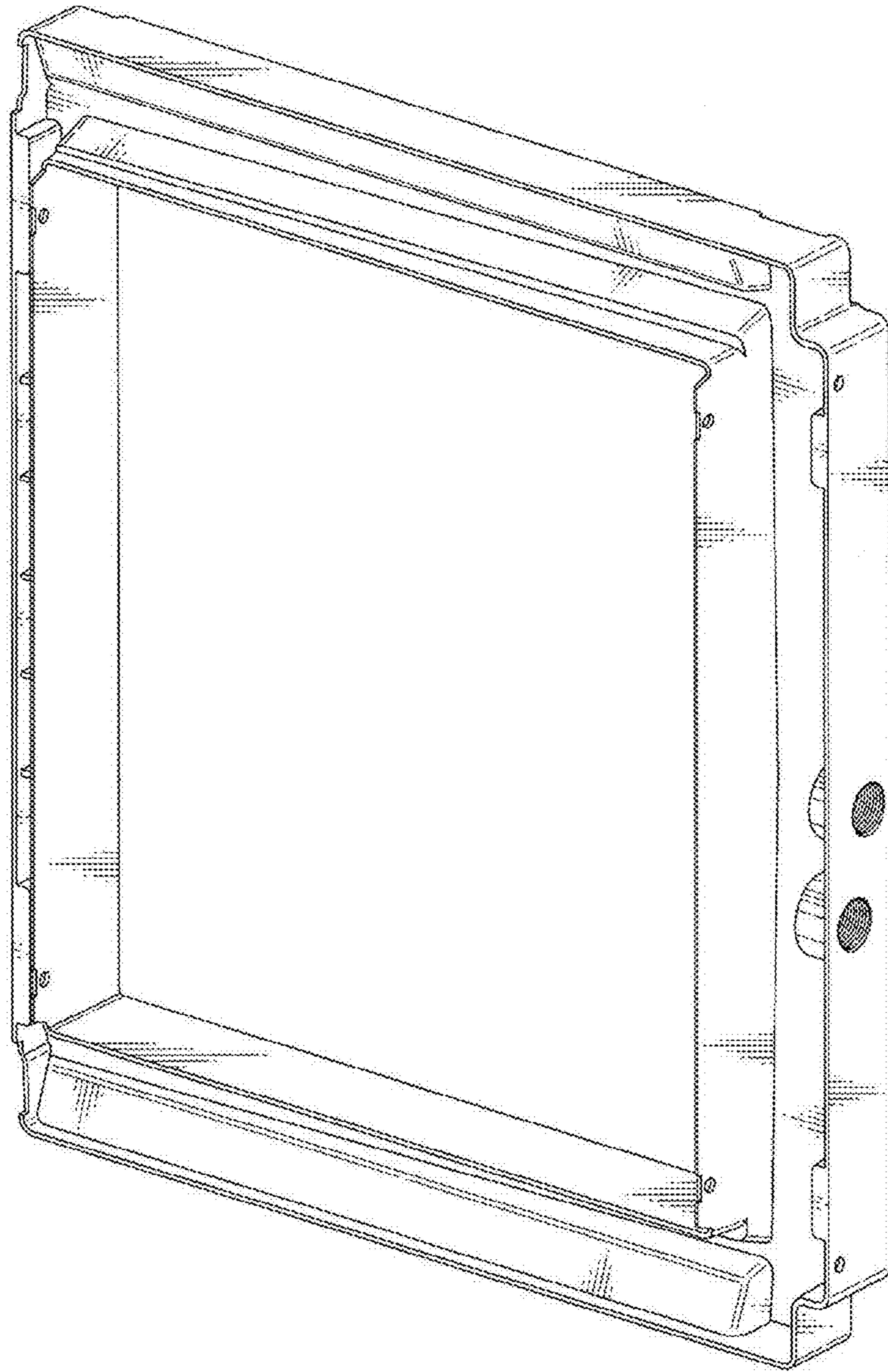


Fig. 12

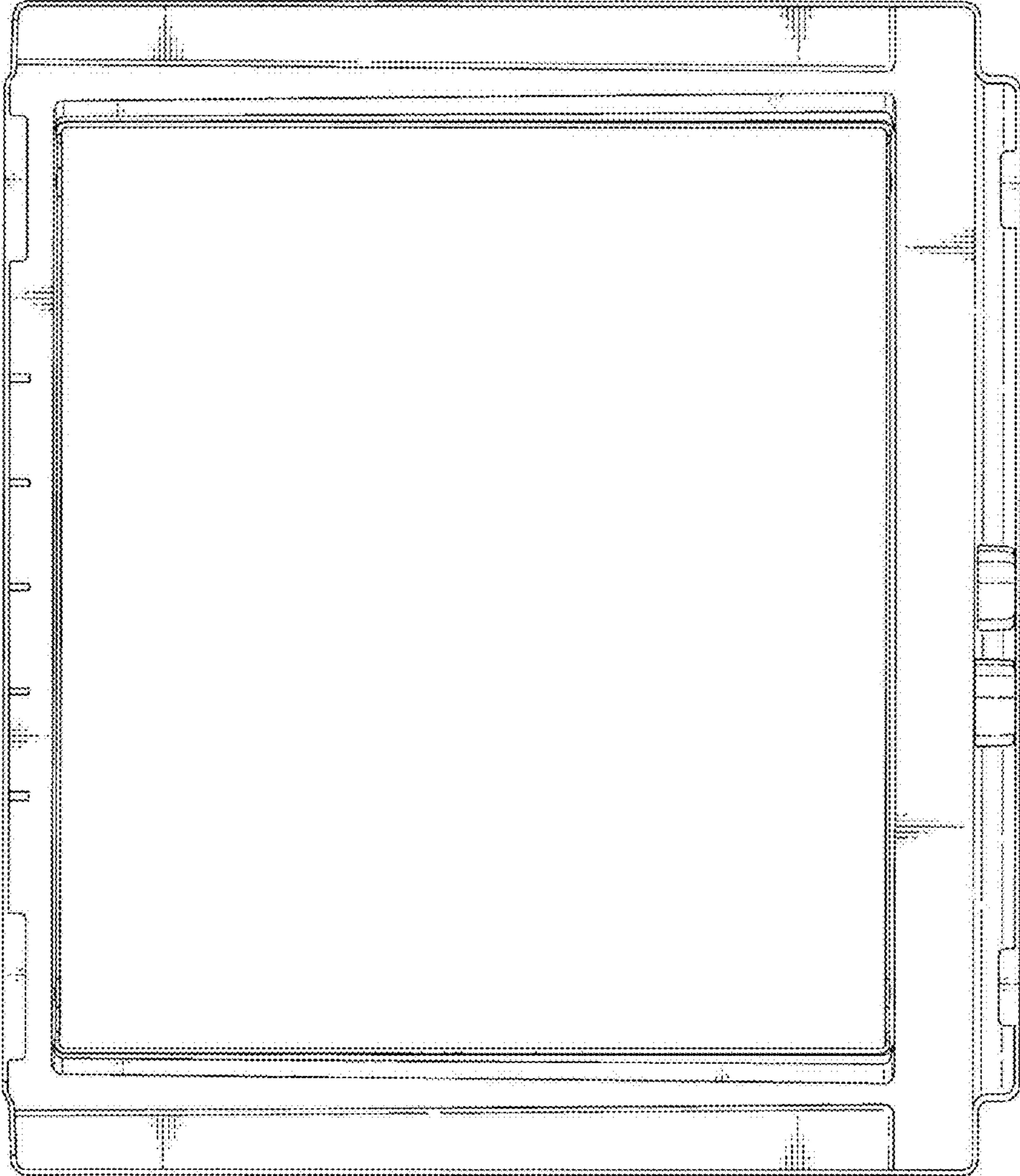


Fig. 13

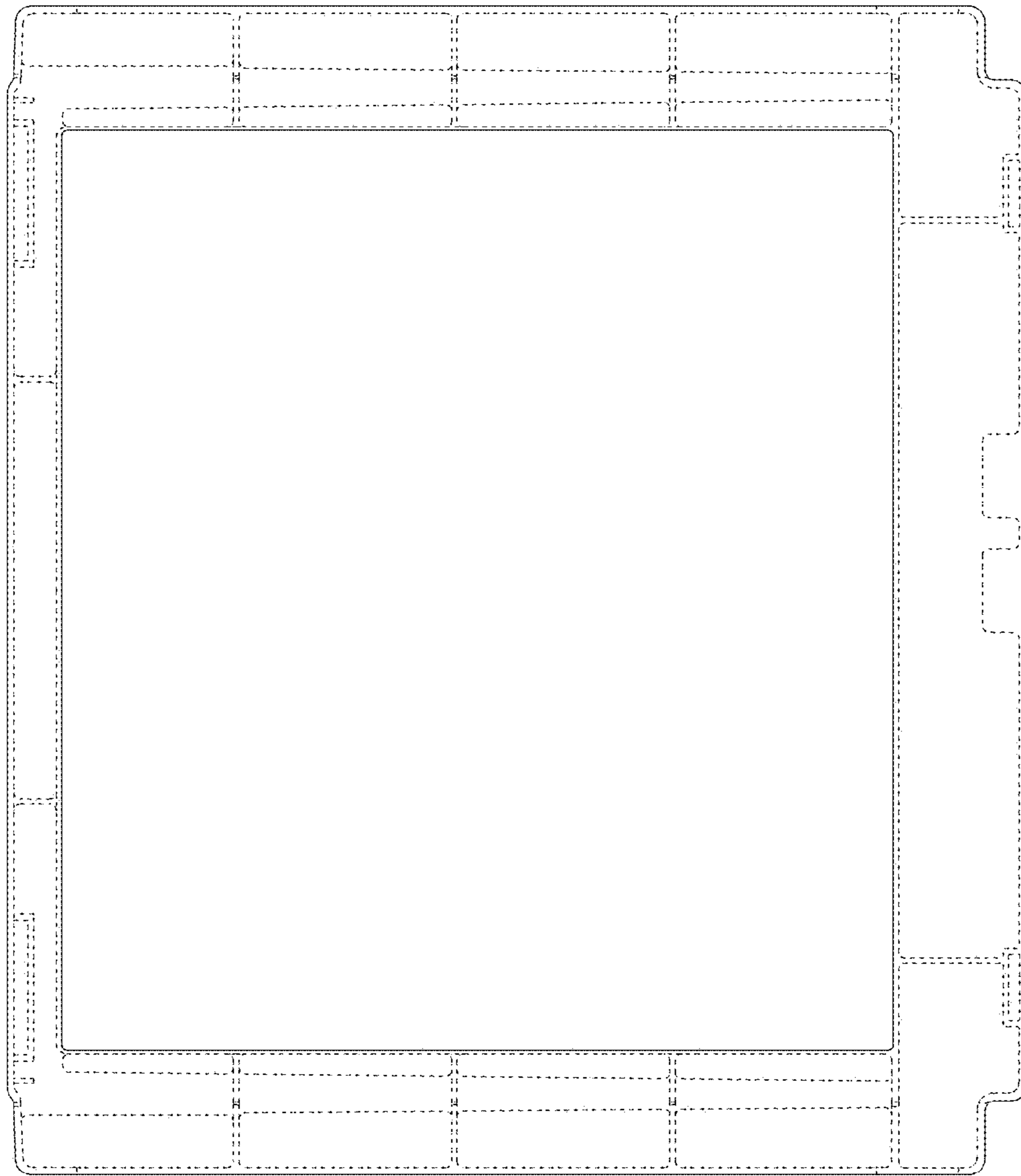


Fig. 15

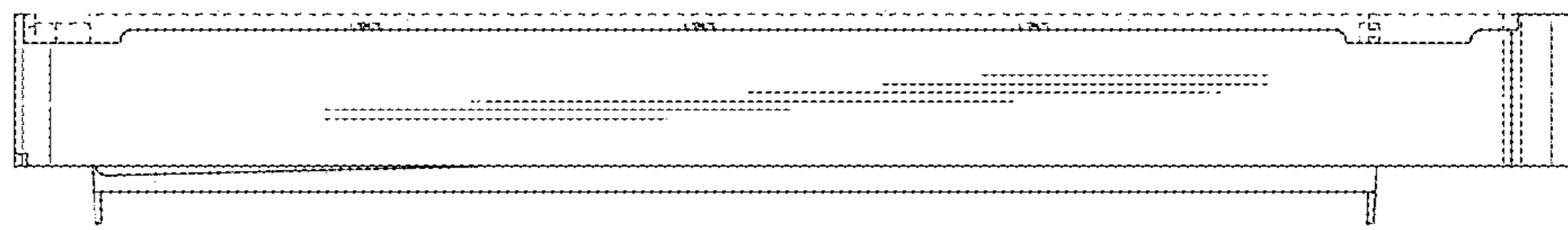


Fig. 14

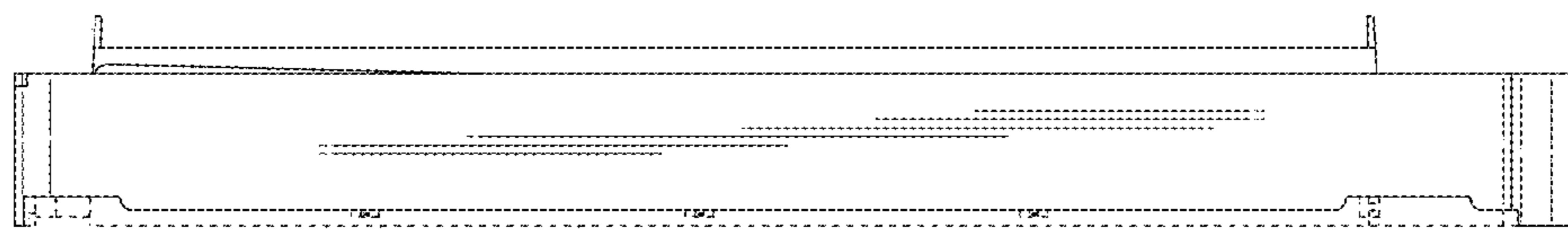


Fig. 16

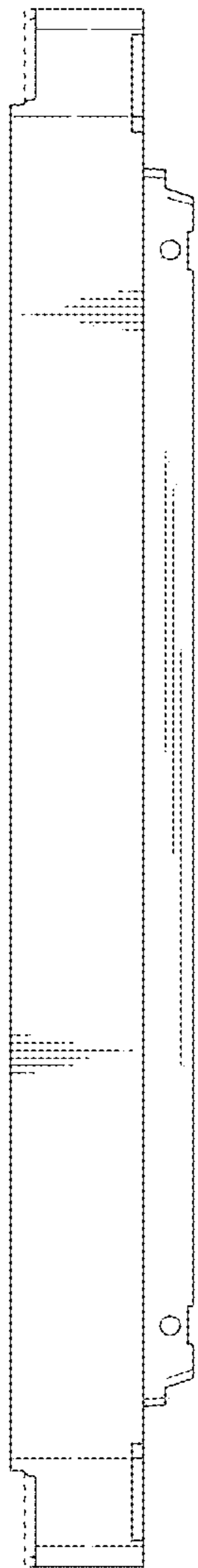


Fig. 17

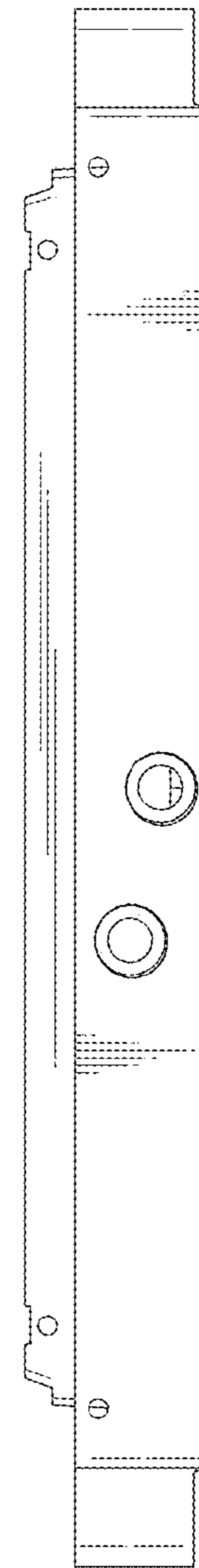


Fig. 18

