



US00D768269S

(12) **United States Design Patent**
Francesconi

(10) **Patent No.:** **US D768,269 S**
(45) **Date of Patent:** **** Oct. 4, 2016**

(54) **SINK**

(71) Applicant: **GALASSIA S.P.A.**, Corchiano (IT)

(72) Inventor: **Albo Francesconi**, Corchiano (IT)

(73) Assignee: **GALASSIA S.P.A.**, Corchiano (IT)

(**) Term: **15 Years**

(21) Appl. No.: **29/532,904**

(22) Filed: **Jul. 10, 2015**

(51) **LOC (10) Cl.** **23-02**

(52) **U.S. Cl.**
USPC **D23/284**

(58) **Field of Classification Search**
USPC D23/284, 286, 287, 288, 292, 293.1
CPC E03C 1/14; E03C 1/16; E03C 1/18;
A47K 1/20; A47L 17/02; A47L 19/02
See application file for complete search history.

(56) **References Cited**

U.S. PATENT DOCUMENTS

D492,983 S *	7/2004	Rachiele	D23/293.1
D494,665 S *	8/2004	Herbeau	D23/293.1
D624,635 S *	9/2010	Eckhaus	D23/308
D624,636 S *	9/2010	Eckhaus	D23/308
D627,449 S *	11/2010	Eckhaus	D23/308
D685,069 S *	6/2013	Eckhaus	D23/308
D685,458 S *	7/2013	Eckhaus	D23/308

OTHER PUBLICATIONS

“Farmer Sinks Collection” (Oct. 2014) *Galassia S.P.A. Italy*, p. 1-32.

* cited by examiner

Primary Examiner — Robert Delehanty

(74) *Attorney, Agent, or Firm* — Steinfl & Bruno, LLP

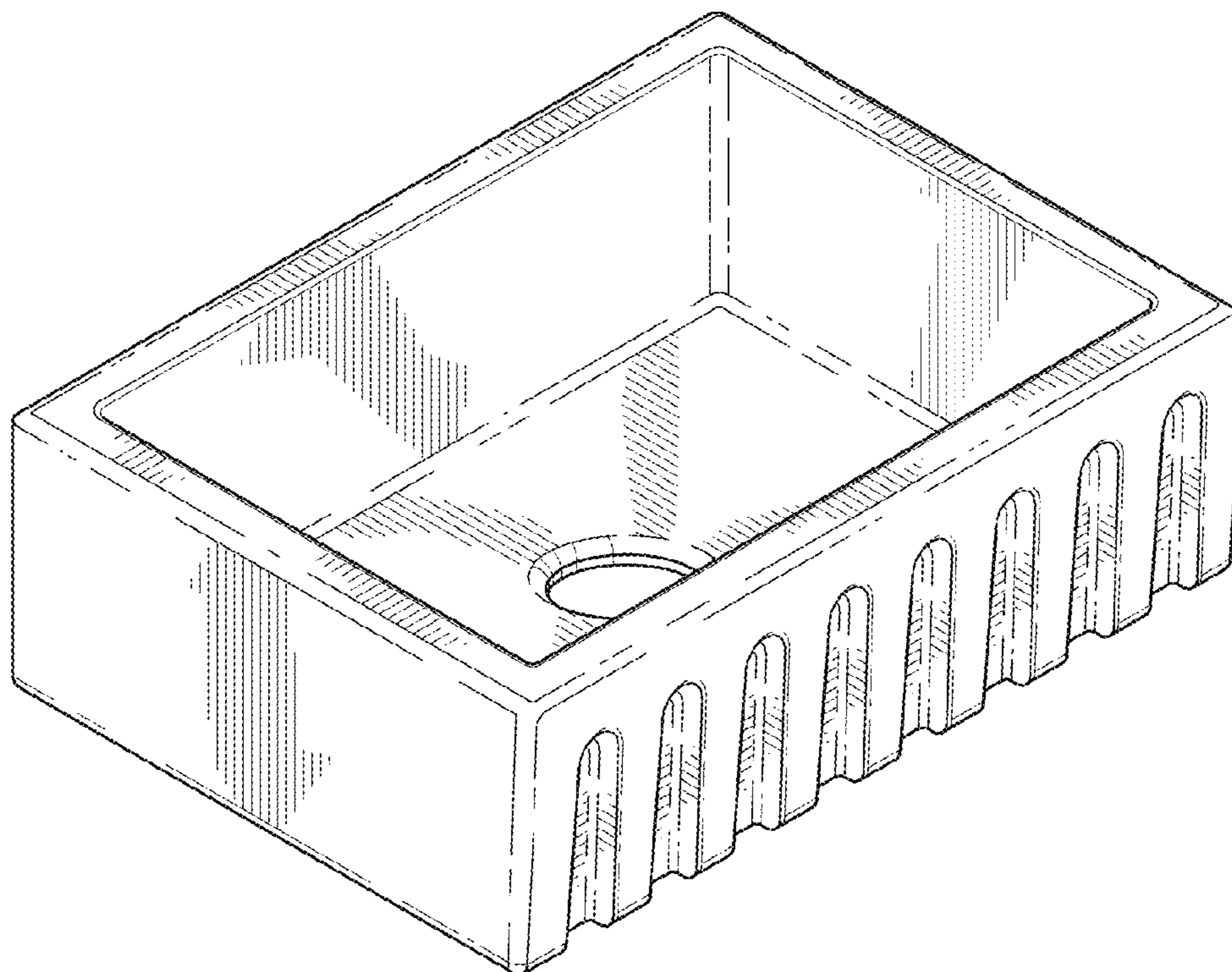
(57) **CLAIM**

The ornamental design for a sink, as shown and described.

DESCRIPTION

FIG. 1 is a perspective view of the sink.
 FIG. 2 is a front view of the sink.
 FIG. 3 is a rear view of the sink.
 FIG. 4 is a top view of the sink.
 FIG. 5 is a bottom view of the sink.
 FIG. 6 is a left exterior side view of the sink.
 FIG. 7 is a right exterior side view of the sink.
 FIG. 8 is a sectional view of the sink from the front, as indicated in FIG. 4; and,
 FIG. 9 is a sectional view of the sink from the left, as indicated in FIG. 5 (inverted).
 The arrows and corresponding lines in FIGS. 4 and 5 indicate the sectional views for FIGS. 8 and 9 respectively (with FIG. 9 inverted to be right-side-up).

1 Claim, 4 Drawing Sheets



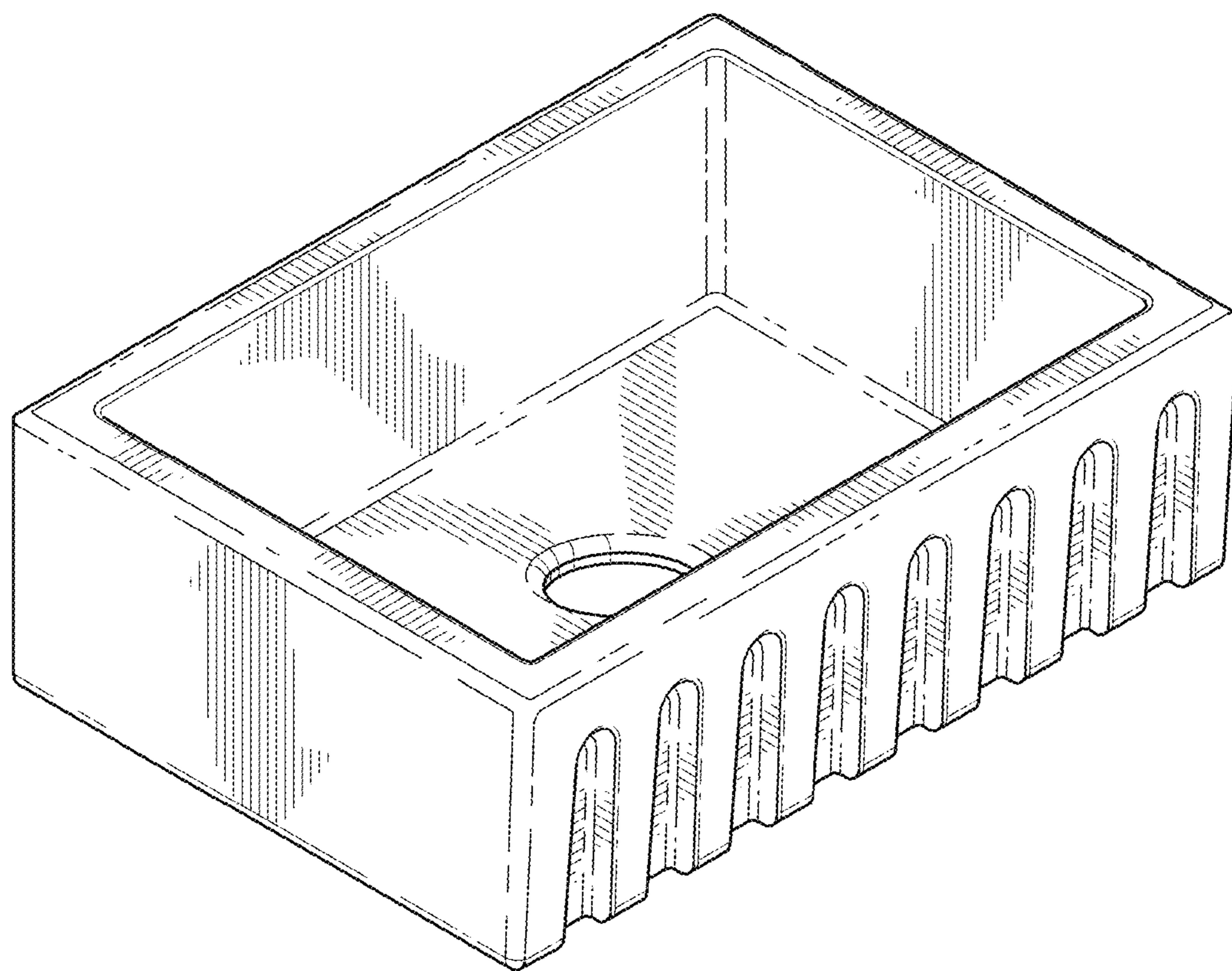


FIG. 1

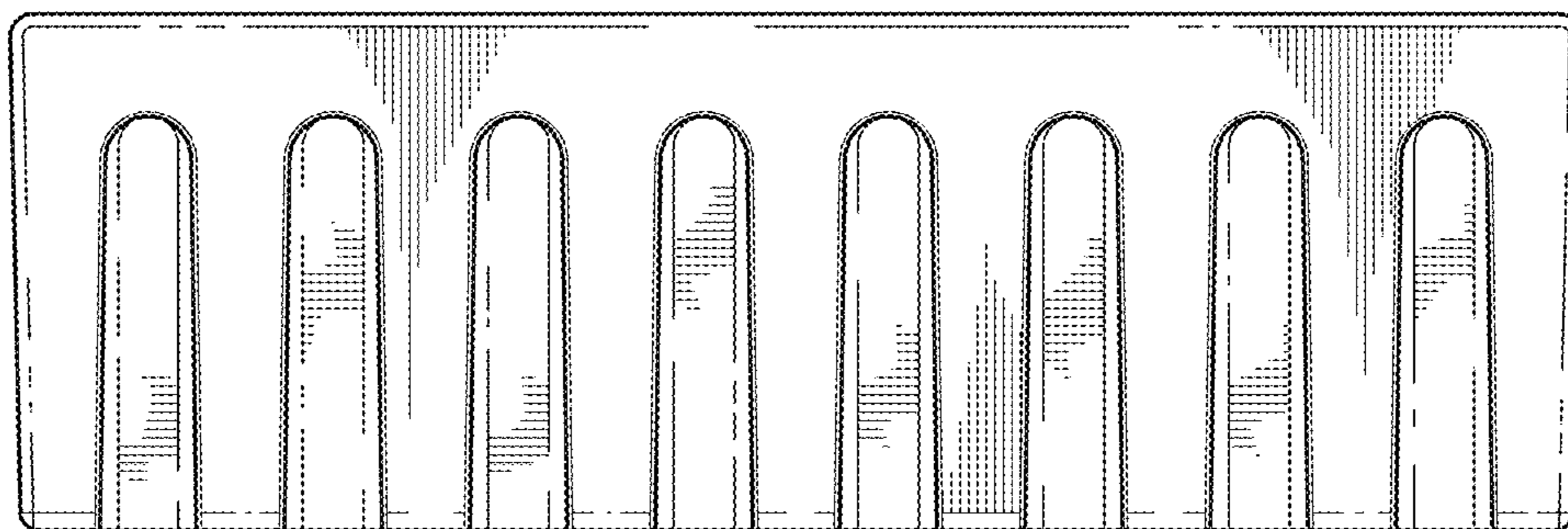


FIG. 2

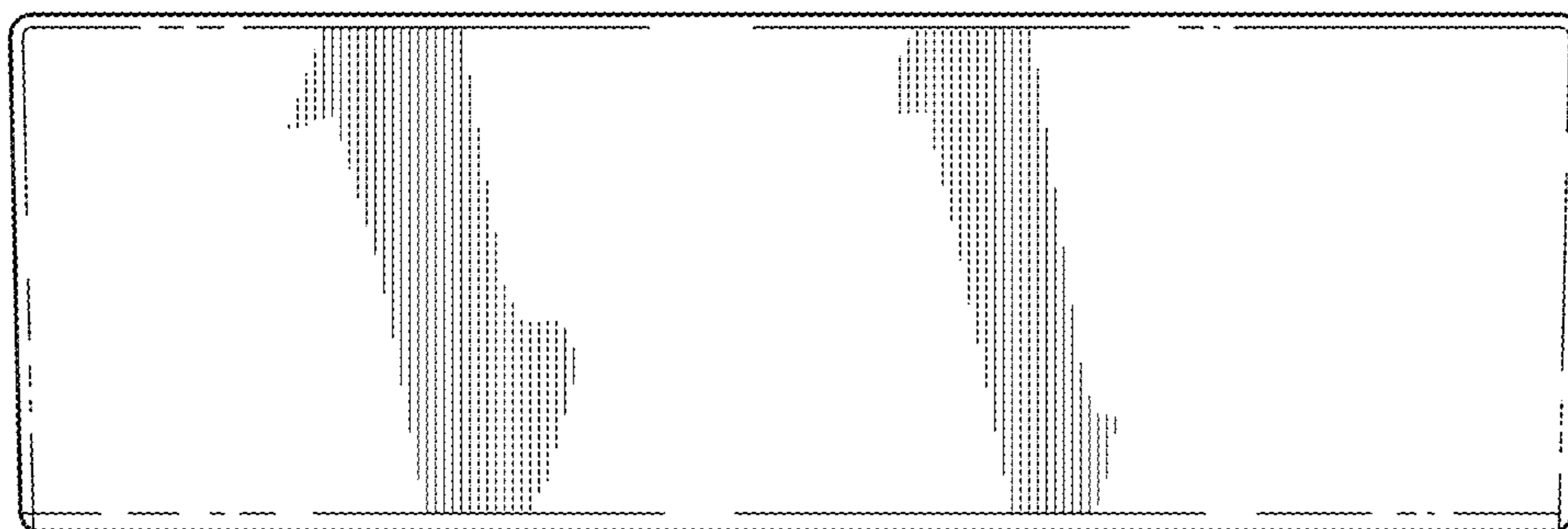


FIG. 3

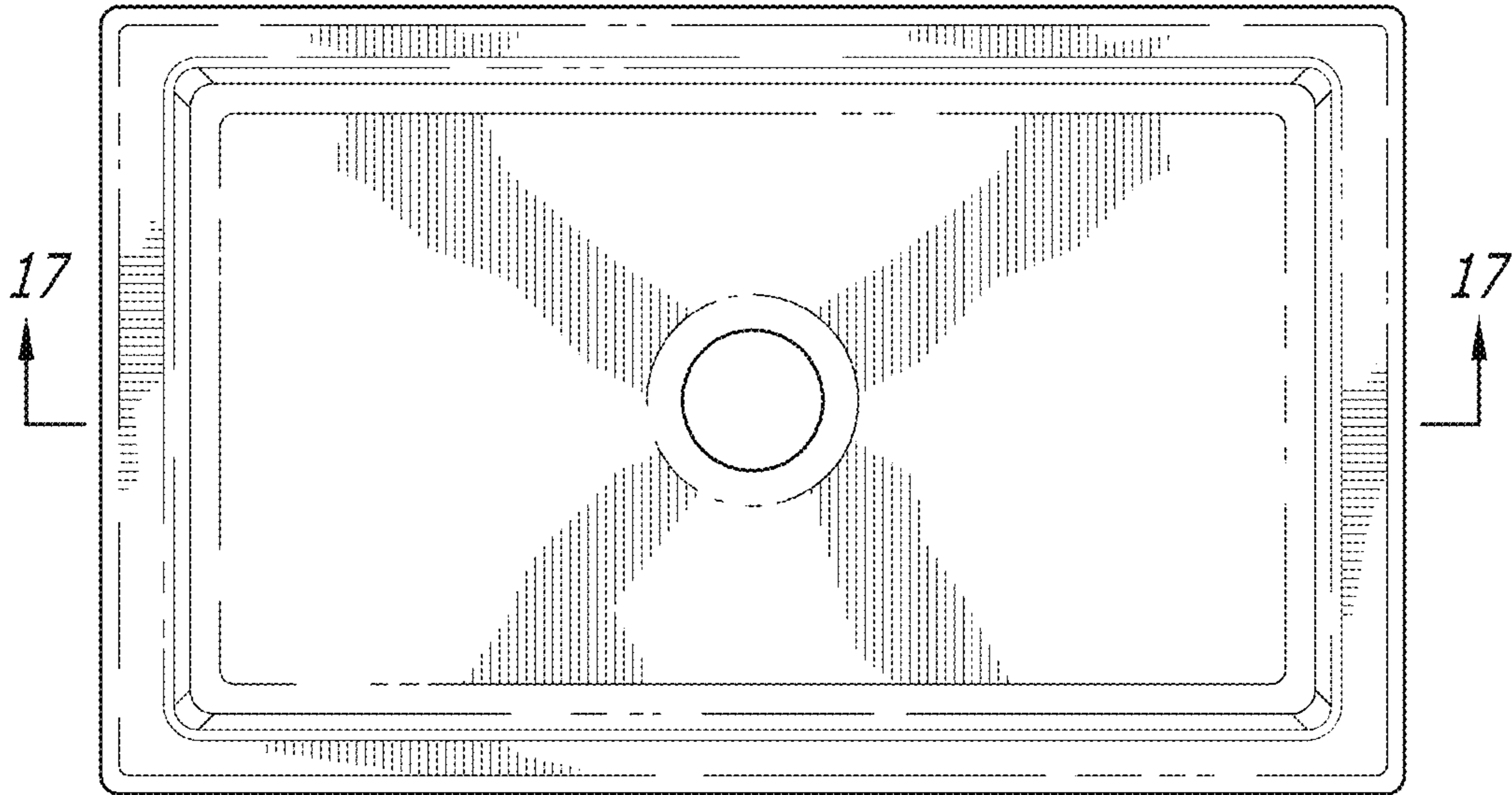


FIG. 4

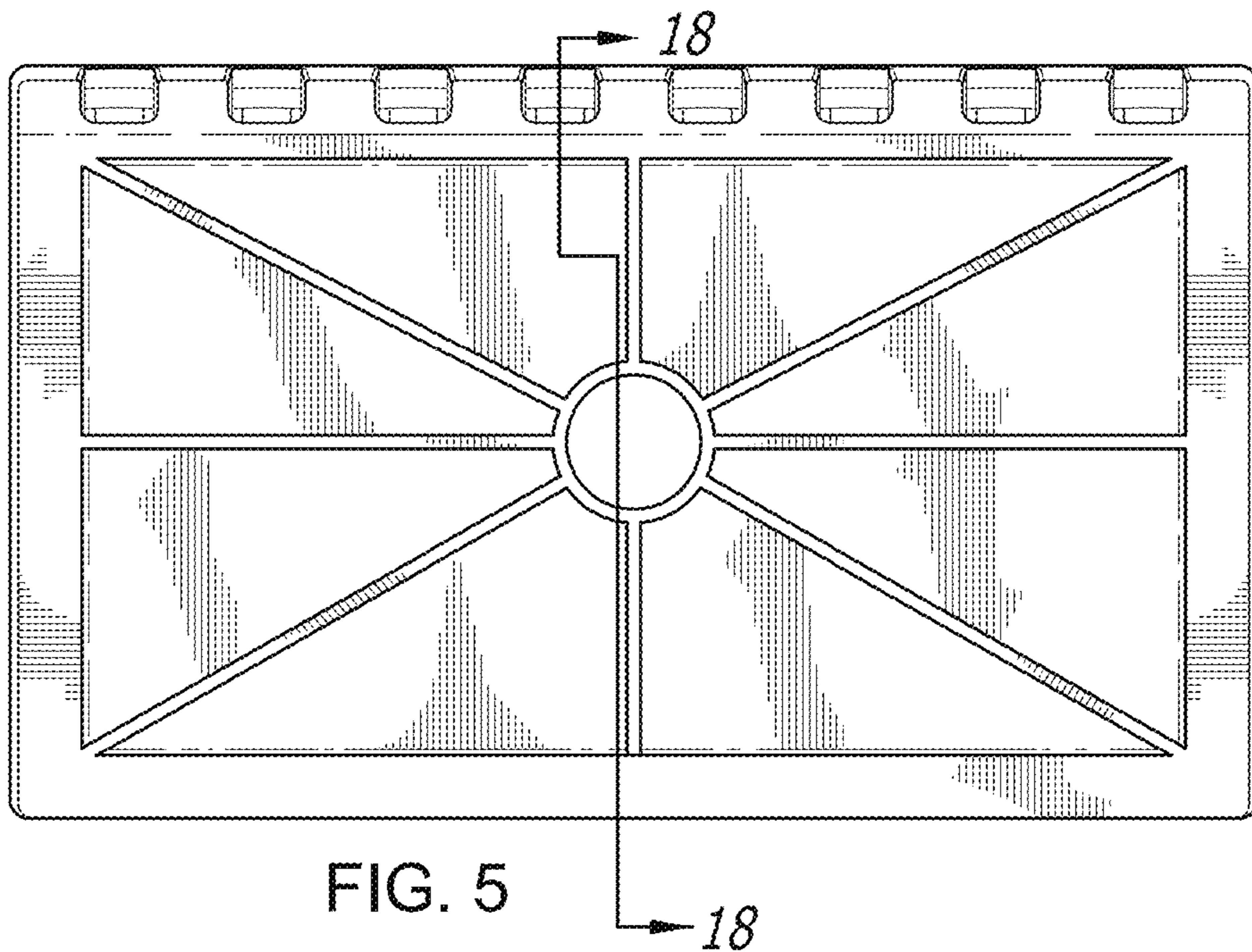


FIG. 5

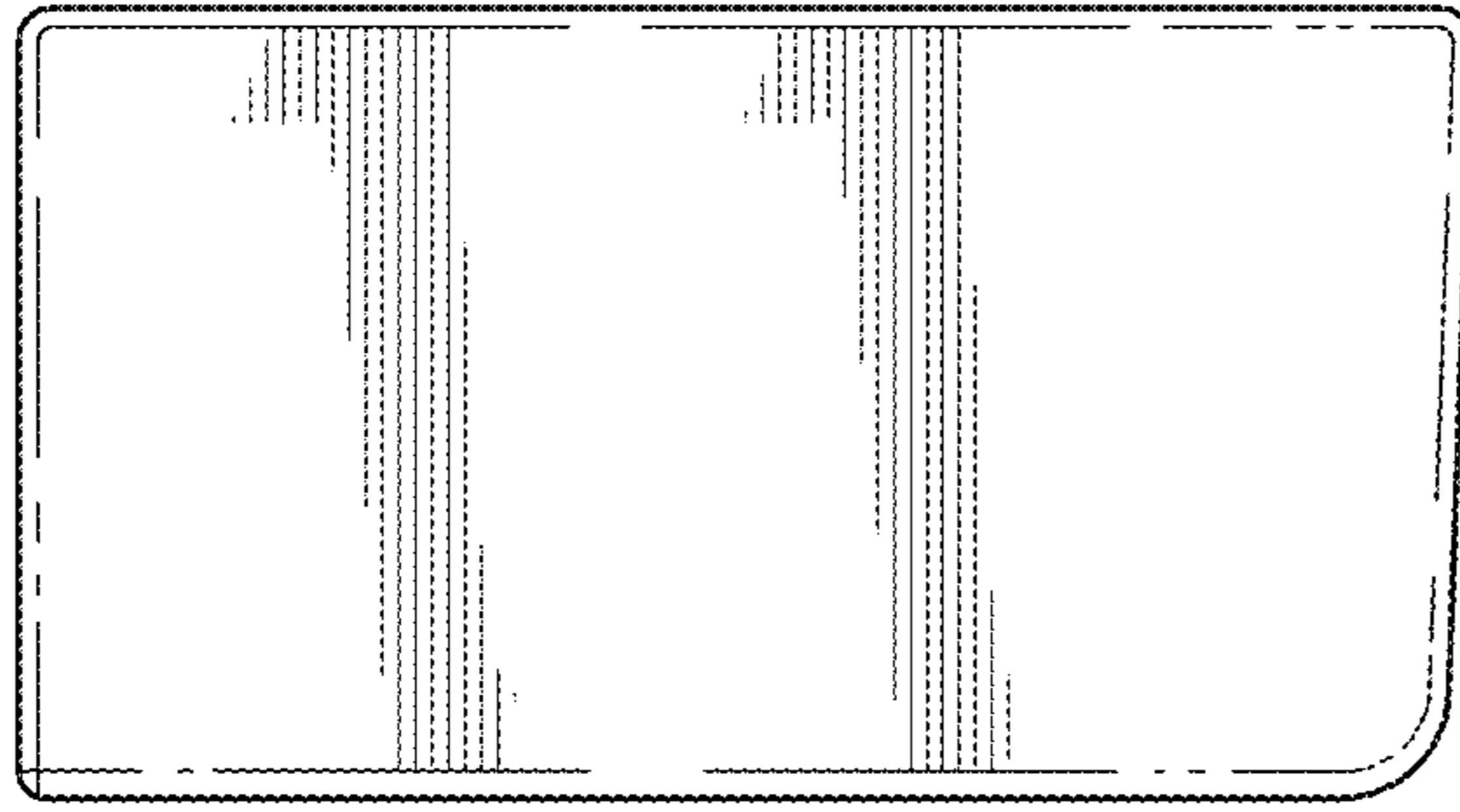


FIG. 6

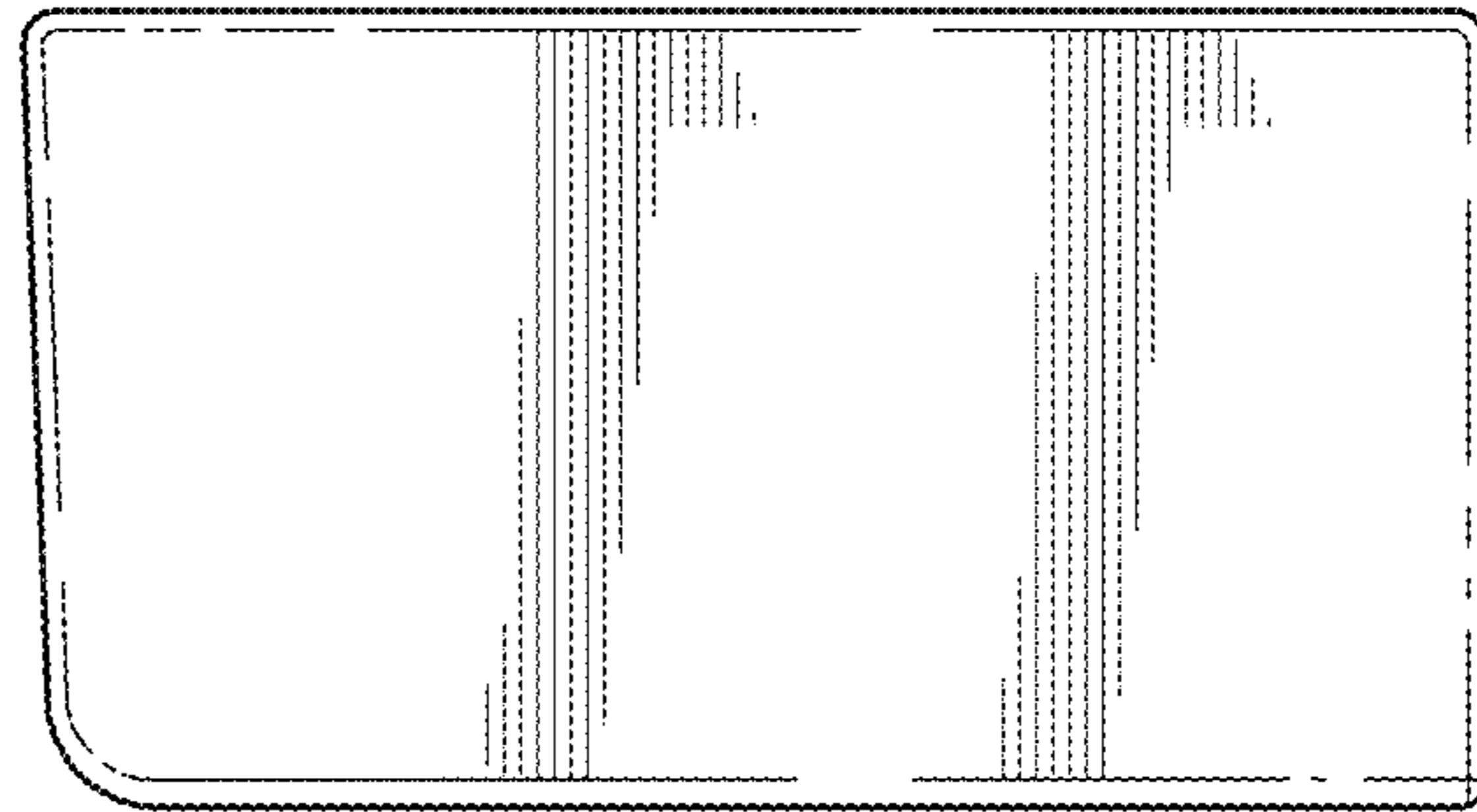


FIG. 7

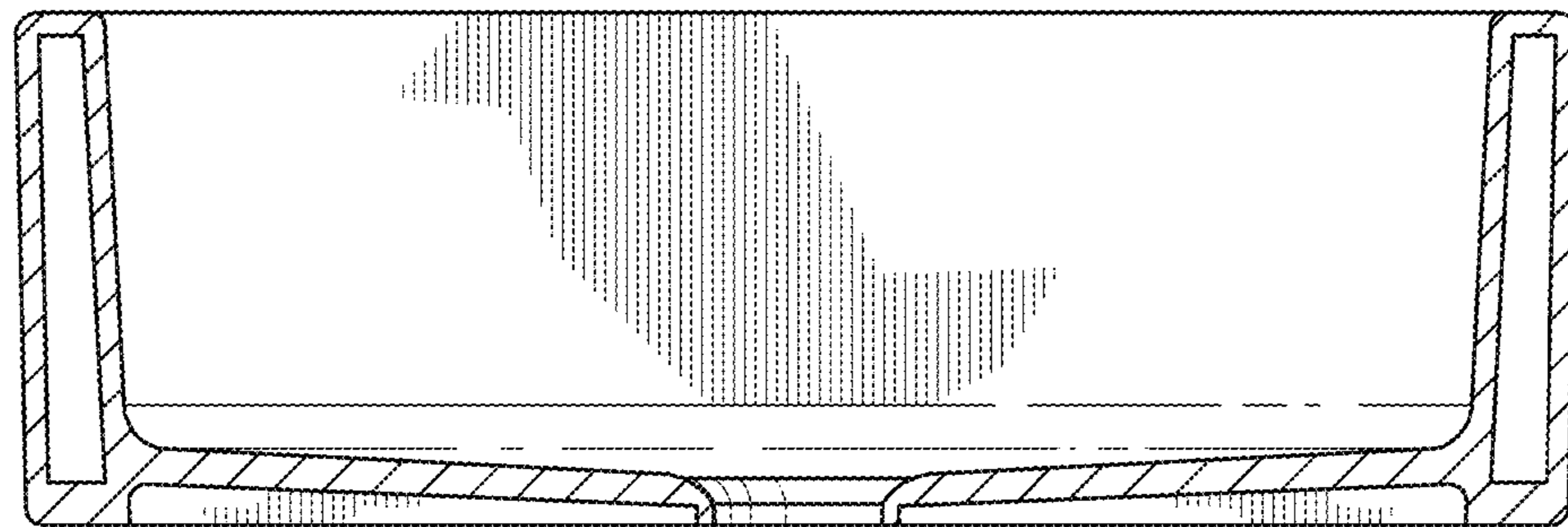


FIG. 8

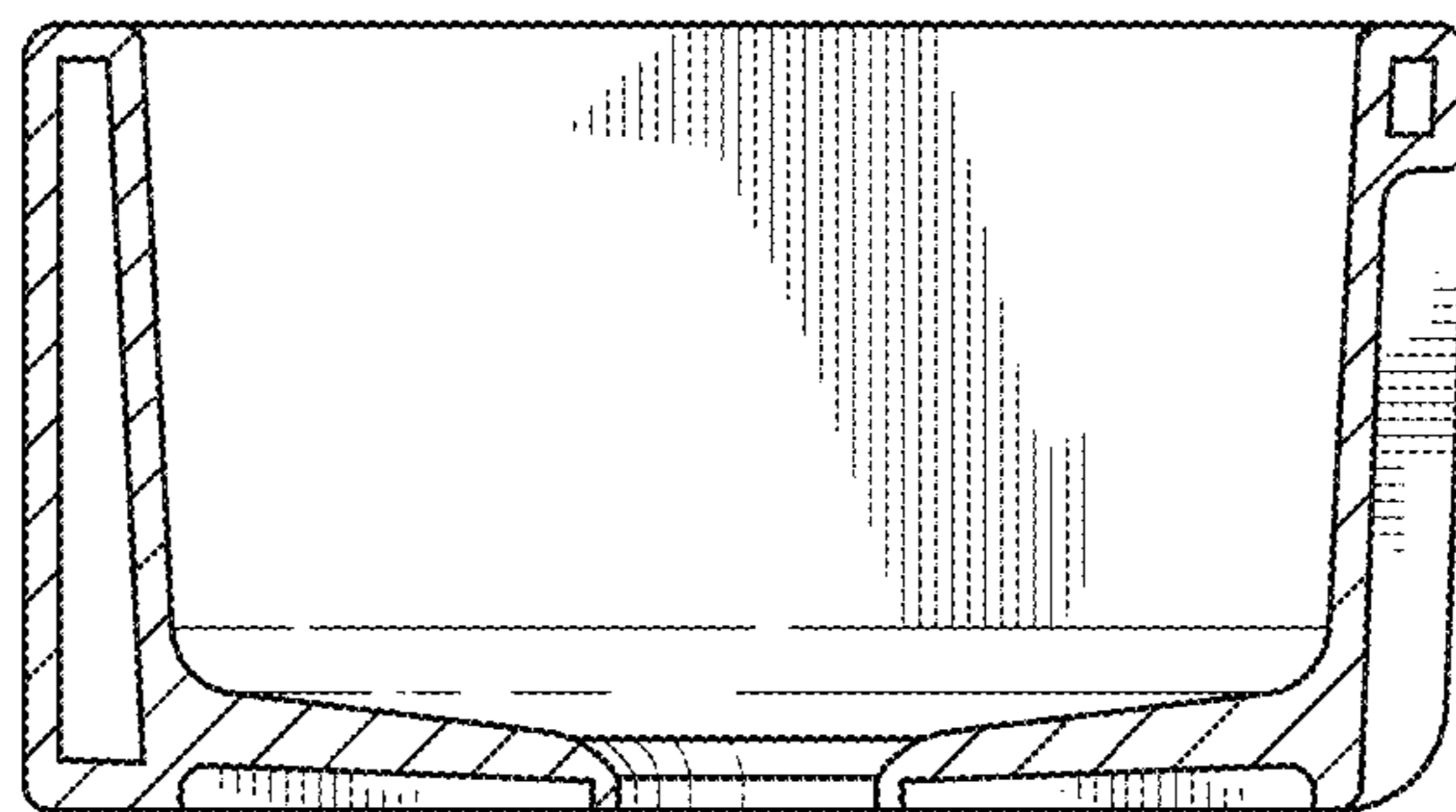


FIG. 9