



US00D768268S

(12) **United States Design Patent**
Lammel

(10) **Patent No.:** **US D768,268 S**
(45) **Date of Patent:** **** Oct. 4, 2016**

(54) **FAUCET**

D318,320 S * 7/1991 Zerlia D23/241
D319,293 S * 8/1991 Rosenbaum D23/238
D351,217 S * 10/1994 Lu D23/241

(71) Applicant: **Franke Water Systems AG**, Unterkulm
(CH)

FOREIGN PATENT DOCUMENTS

(72) Inventor: **Michael Lammel**, Aachen (DE)

TW 127665 3/2009
TW 134409 4/2010
TW 136796 9/2010
TW 141233 6/2011

(73) Assignee: **Franke Water Systems AG**, Unterkulm
(CH)

(**) Term: **15 Years**

OTHER PUBLICATIONS

(21) Appl. No.: **29/534,537**

U.S. Appl. No. 29/534,525, filed Jul. 29, 2015, Lammel.
Search Report issued Apr. 15, 2016 in Taiwan Design Patent
Application No. 104304060 with English Translation of Categories.

(22) Filed: **Jul. 29, 2015**

* cited by examiner

(30) **Foreign Application Priority Data**

Feb. 11, 2015 (WO) 872290501

(51) **LOC (10) Cl.** **23-02**

(52) **U.S. Cl.**
USPC **D23/238**

(58) **Field of Classification Search**
USPC D23/238, 241–243, 249, 250, 252
CPC E03C 1/04; E03C 1/0401; E03C 1/0402;
E03C 1/0404
See application file for complete search history.

Primary Examiner — Robert Delehanty
(74) *Attorney, Agent, or Firm* — Oblon, McClelland,
Maier & Neustadt, L.L.P.

(57) **CLAIM**
The ornamental design for a faucet, as shown and described.

DESCRIPTION

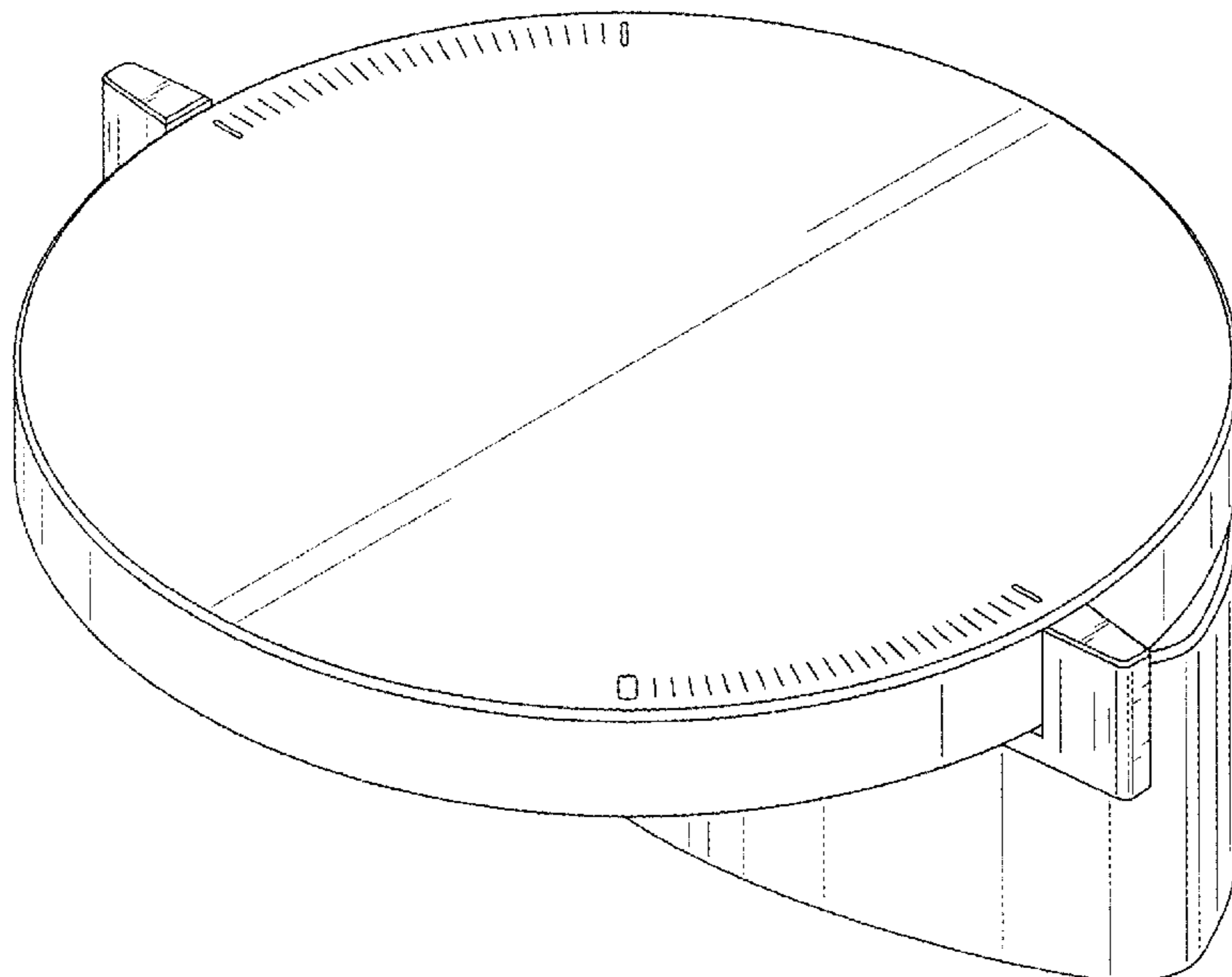
FIG. 1 is a front, top, and right side perspective view of a faucet;
FIG. 2 is a front elevational view thereof;
FIG. 3 is a rear elevational view thereof;
FIG. 4 is a right side elevational view thereof;
FIG. 5 is a left side elevational view thereof;
FIG. 6 is a top plan view thereof; and,
FIG. 7 is a bottom plan view thereof.

1 Claim, 7 Drawing Sheets

(56) **References Cited**

U.S. PATENT DOCUMENTS

D92,687 S * 7/1934 Tjaarda D23/243
D224,403 S * 7/1972 Jenner D23/238
D310,859 S * 9/1990 Strignano D23/241



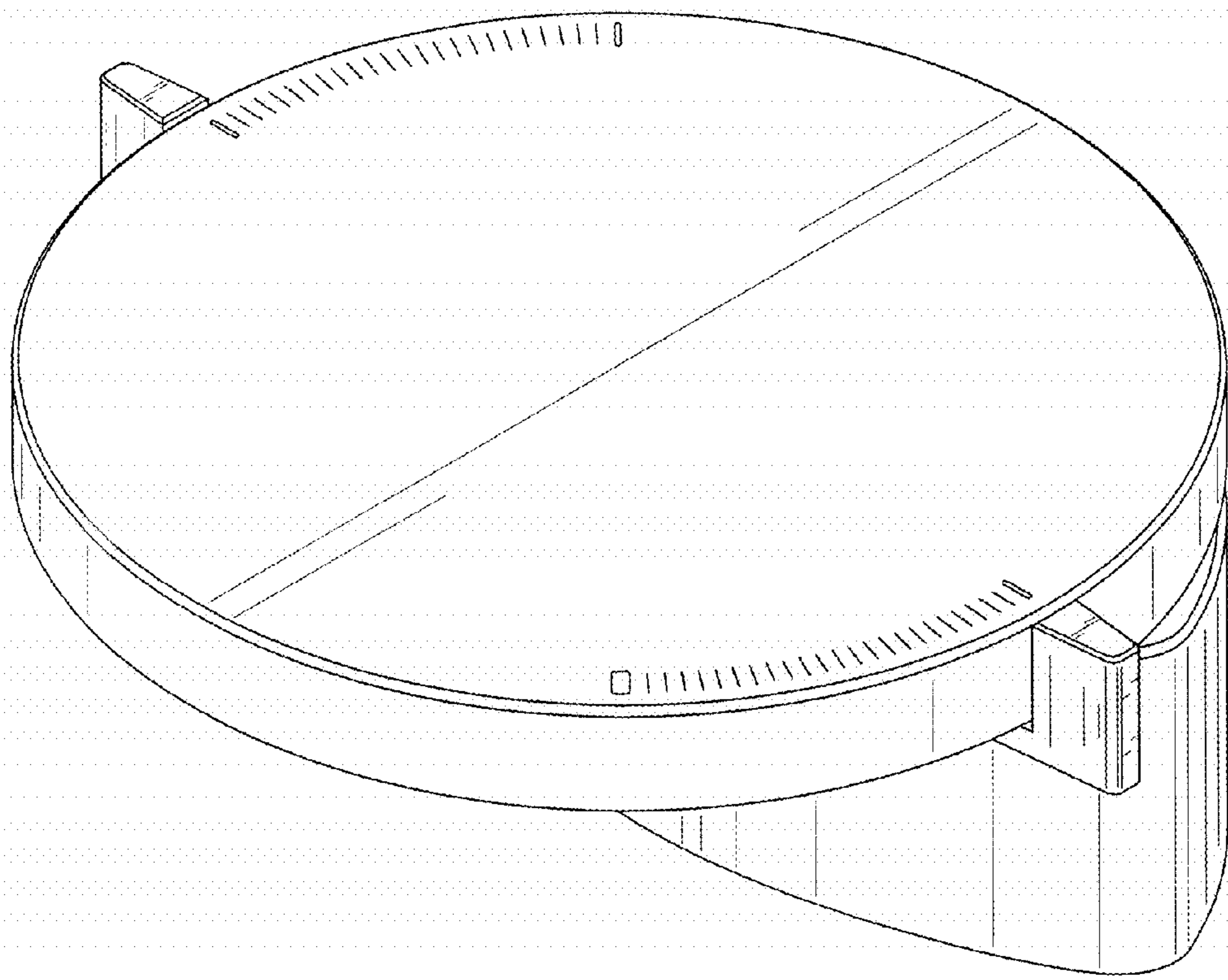


FIG. 1

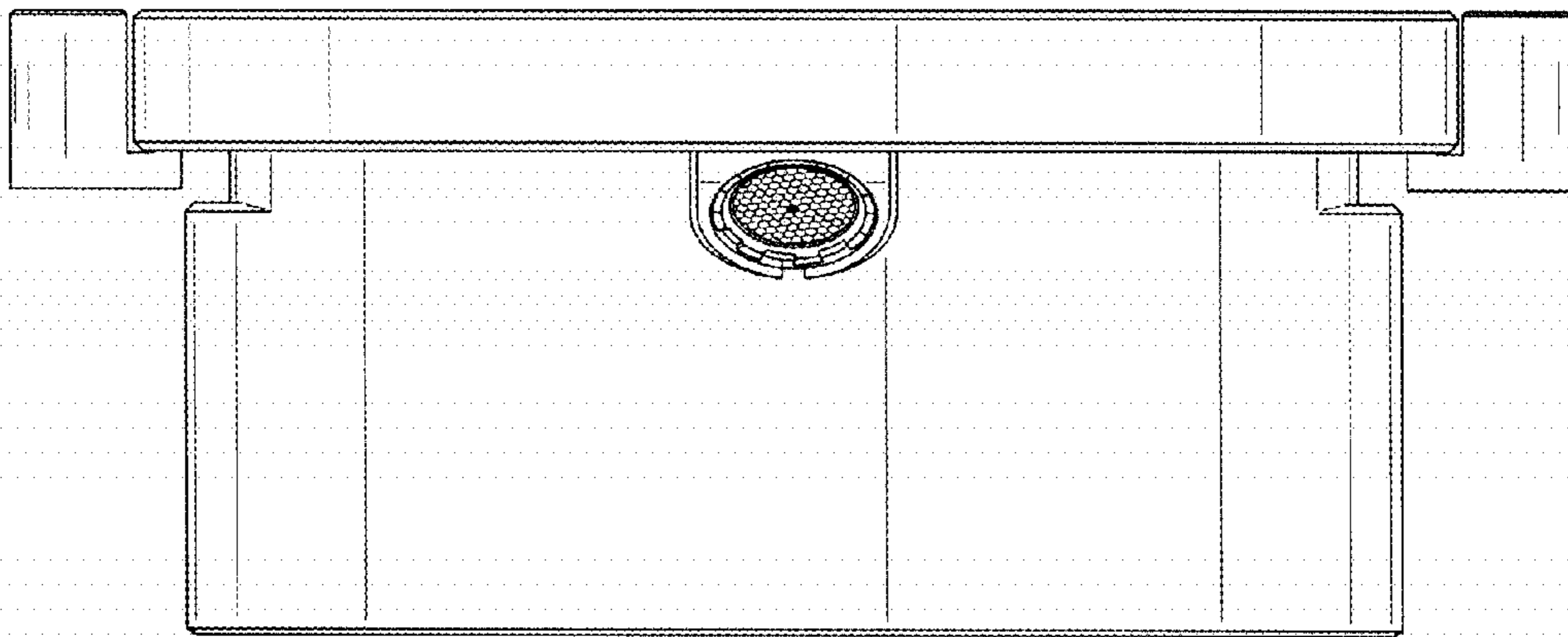


FIG. 2

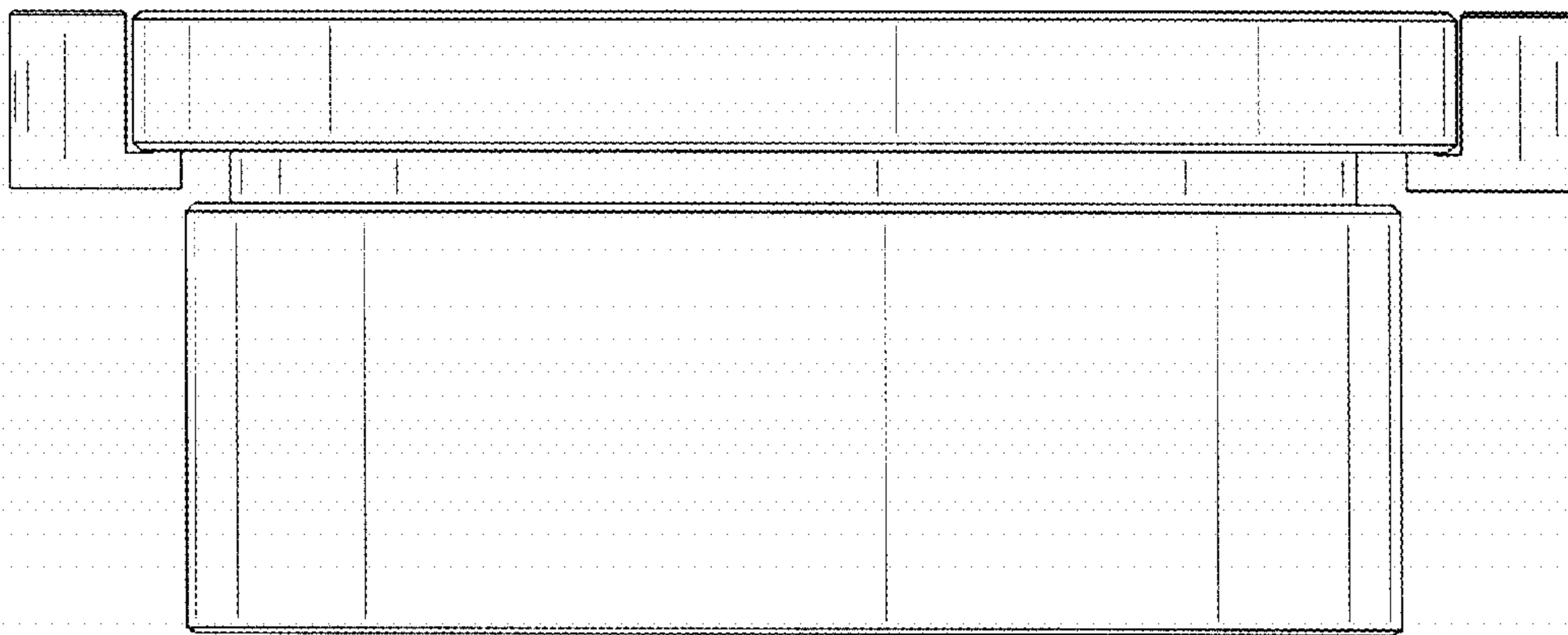


FIG. 3

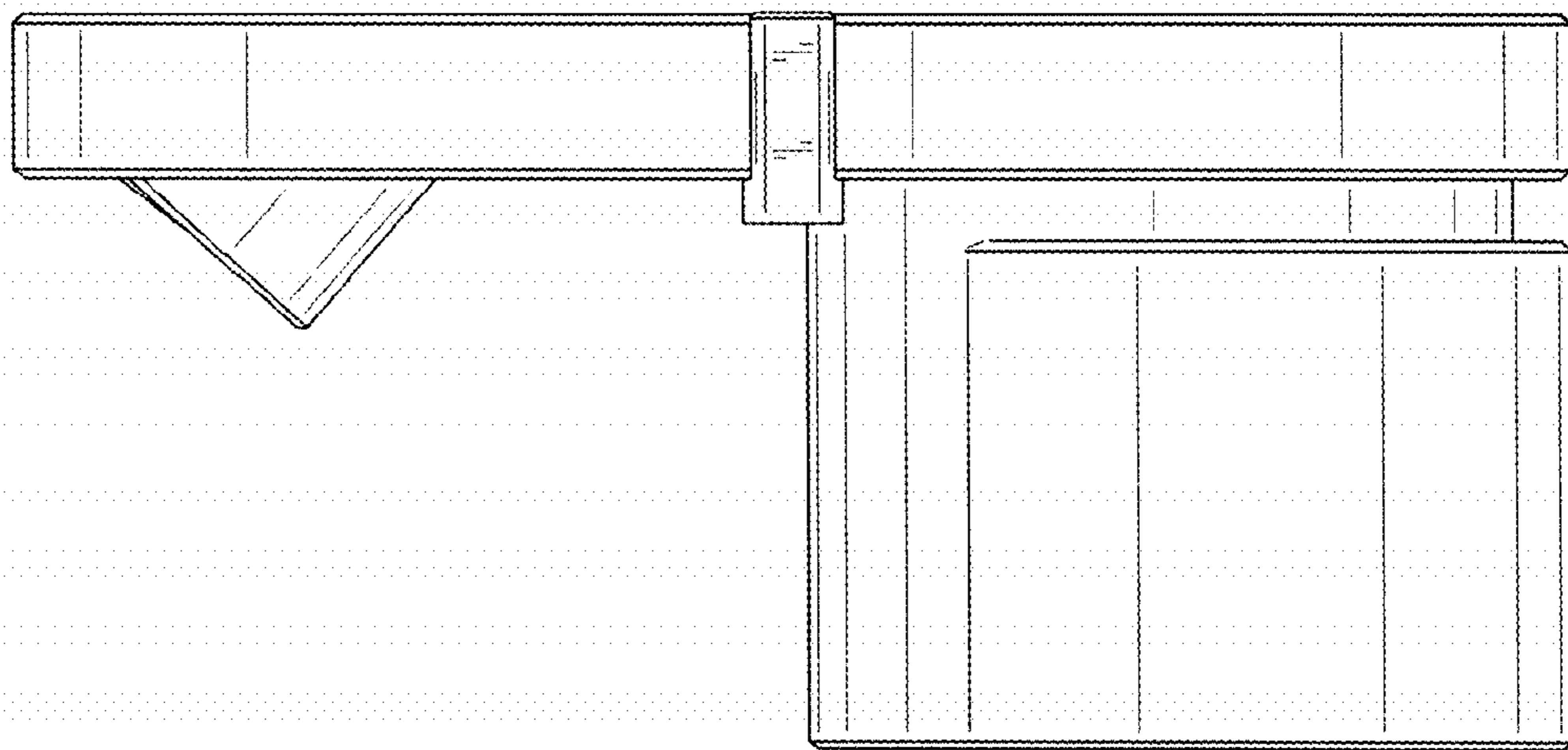


FIG. 4

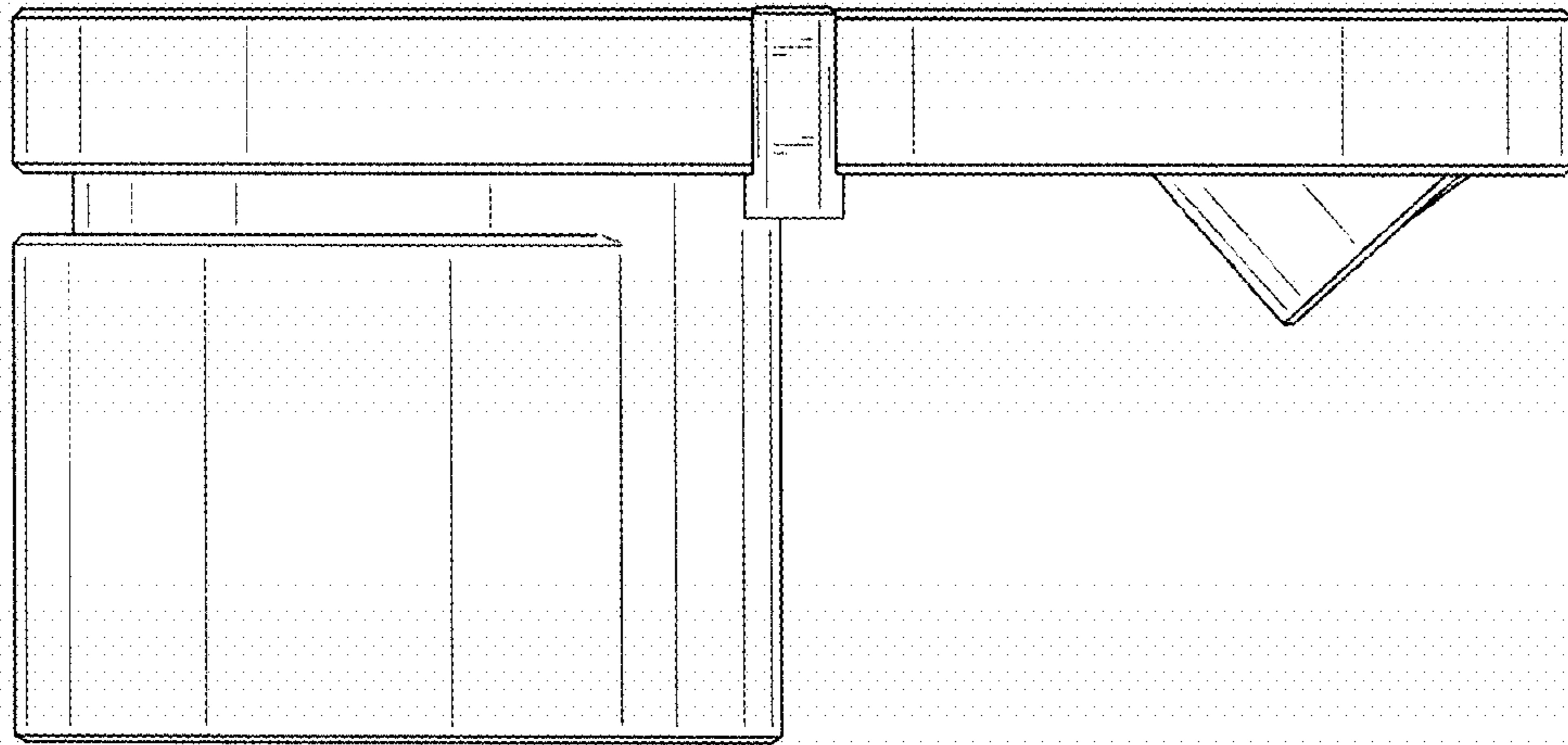


FIG. 5

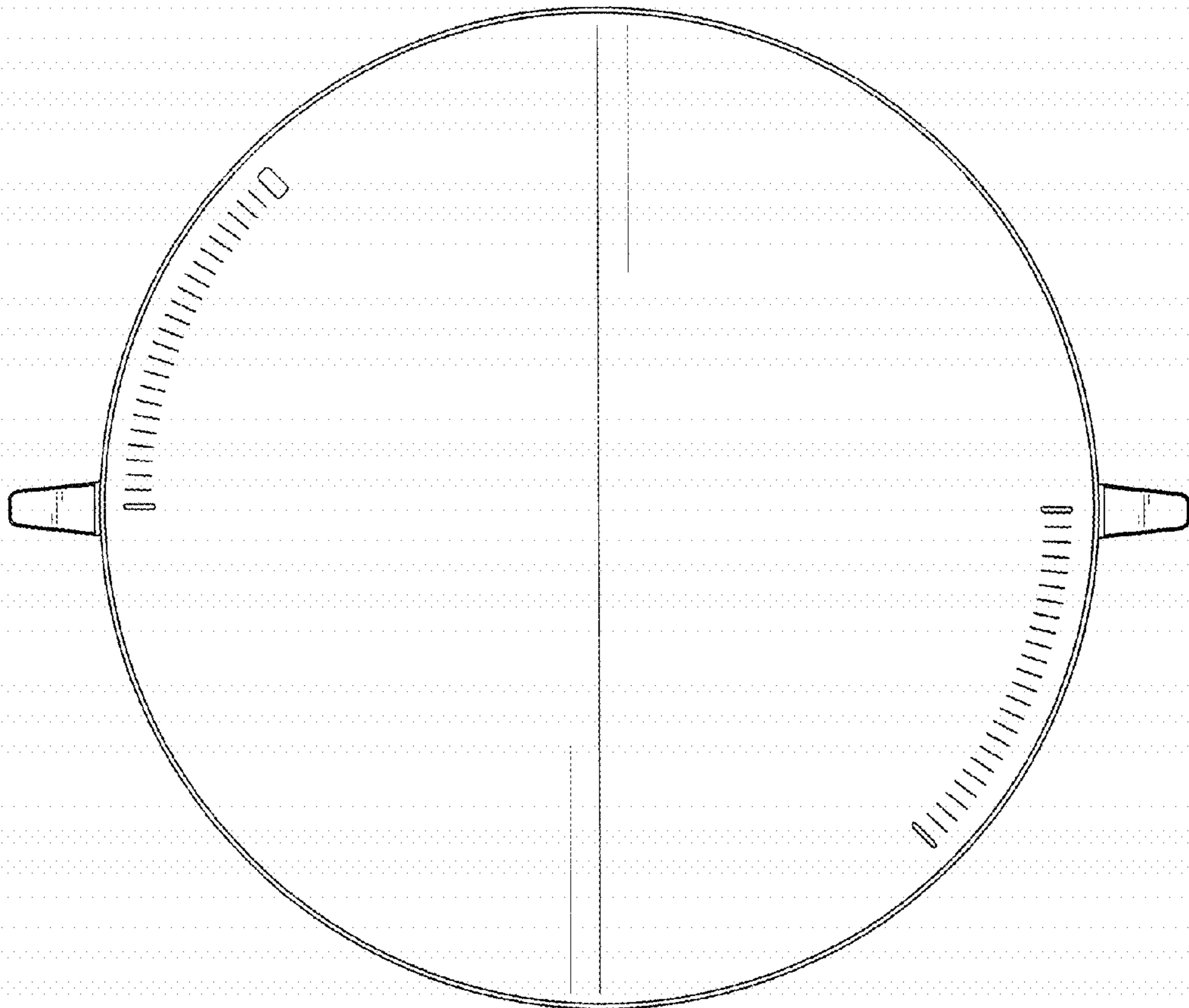


FIG. 6

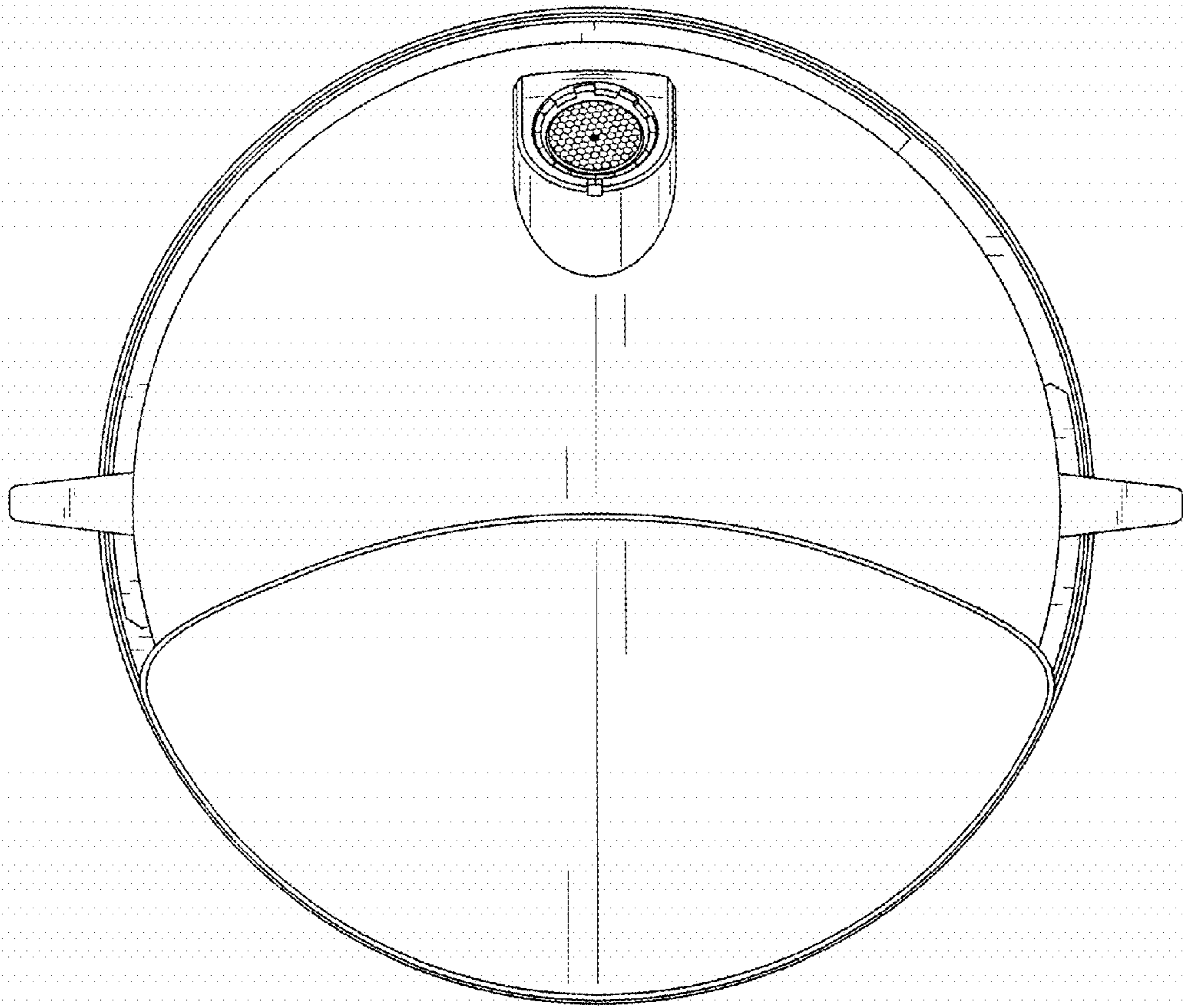


FIG. 7