



US00D768267S

(12) **United States Design Patent**
Murray et al.

(10) **Patent No.:** **US D768,267 S**

(45) **Date of Patent:** **** Oct. 4, 2016**

- (54) **LAVATORY FIXTURES**
- (71) Applicant: **Bradley Corporation**, Menomonee Falls, WI (US)
- (72) Inventors: **Chris Murray**, Chicago, IL (US);
Trevis Kurz, Chicago, IL (US)
- (73) Assignee: **Bradley Fixtures Corporation**, Menomonee Falls, WI (US)
- (**) Term: **14 Years**
- (21) Appl. No.: **29/520,743**
- (22) Filed: **Mar. 17, 2015**
- (51) **LOC (10) Cl.** **23-01**
- (52) **U.S. Cl.**
USPC **D23/238**
- (58) **Field of Classification Search**
USPC D23/238-243, 249-250, 252, 255, 257
CPC E03C 1/04; E03C 1/0401; E03C 1/0402;
E03C 1/0404; F16K 31/602; F16K 31/605;
F16K 31/607
See application file for complete search history.

D327,118 S *	6/1992	Rodstein	D23/242
5,215,216 A *	6/1993	Van Marcke	E03C 1/046 222/1
D341,875 S *	11/1993	Allen	D23/238
D614,733 S *	4/2010	Pan	D23/238
D617,422 S *	6/2010	Suzuki	D23/238
D634,403 S *	3/2011	Thornton	D23/238
D634,404 S *	3/2011	Thornton	D23/238
D708,711 S *	7/2014	Yu	D23/238

* cited by examiner

Primary Examiner — Robert Delehanty

(74) *Attorney, Agent, or Firm* — Boyle Fredrickson, S.C.

(57) **CLAIM**

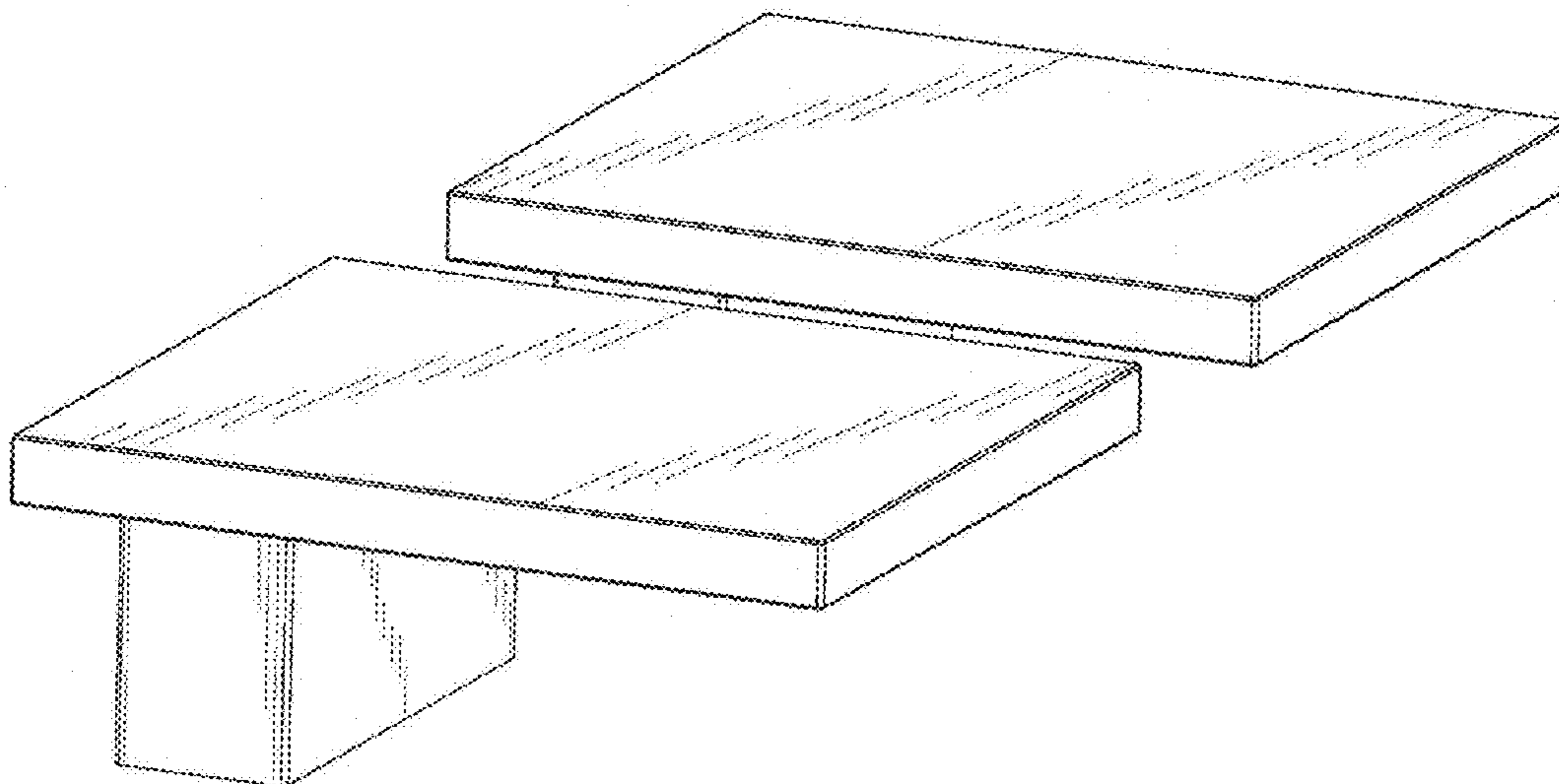
The ornamental design for lavatory fixtures, substantially as shown and described.

DESCRIPTION

FIG. 1 is a raised perspective view of a third embodiment of lavatory fixtures showing a faucet and soap dispenser in one fixture and a hand dryer in the other fixture;
 FIG. 2 is a raised perspective view of the third embodiment of the lavatory fixtures according to FIG. 1;
 FIG. 3 is a top view of the third embodiment of the lavatory fixtures according to FIG. 1;
 FIG. 4 is a right-side view of the third embodiment of the lavatory fixtures according to FIG. 1;
 FIG. 5 is a left-side view of the third embodiment of the lavatory fixtures according to FIG. 1;
 FIG. 6 is a front view of the third embodiment of the lavatory fixtures according to FIG. 1; and,
 FIG. 7 is a bottom view of the third embodiment of the lavatory fixtures according to FIG. 1.
 Any broken lines represent environmental structure and form no part of the claimed design.

1 Claim, 6 Drawing Sheets

- (56) **References Cited**
U.S. PATENT DOCUMENTS
- D224,402 S * 7/1972 Jenner D23/241
- D289,916 S * 5/1987 Delepine D23/255
- D291,115 S * 7/1987 Delepine D23/255
- D296,233 S * 6/1988 Enthoven D23/241
- D310,866 S * 9/1990 Strignano D23/241
- D312,496 S * 11/1990 Strignano D23/242
- D318,100 S * 7/1991 Rodstein D23/255
- D318,320 S * 7/1991 Zerlia D23/241
- D322,840 S * 12/1991 Rodstein D23/255



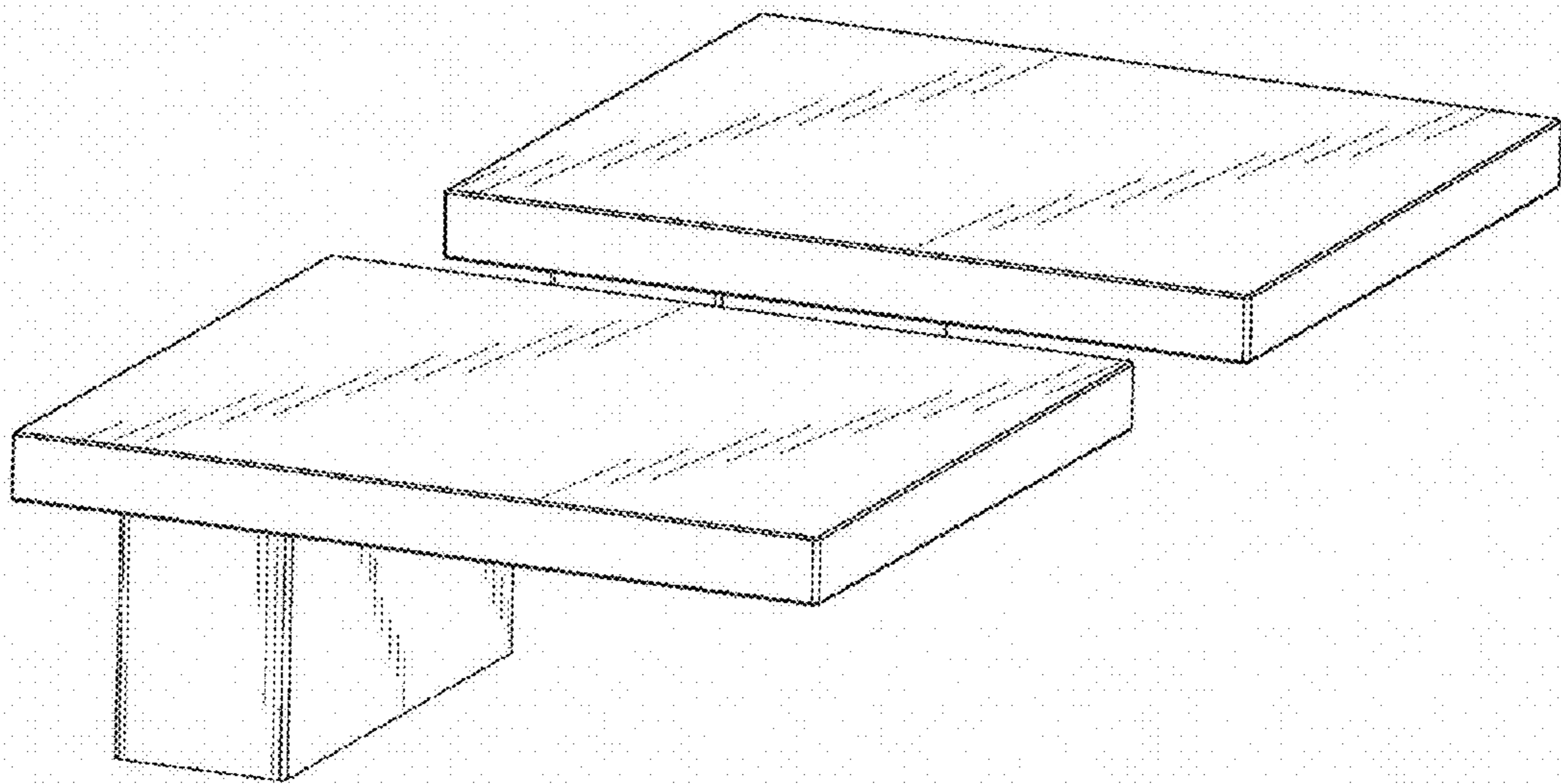
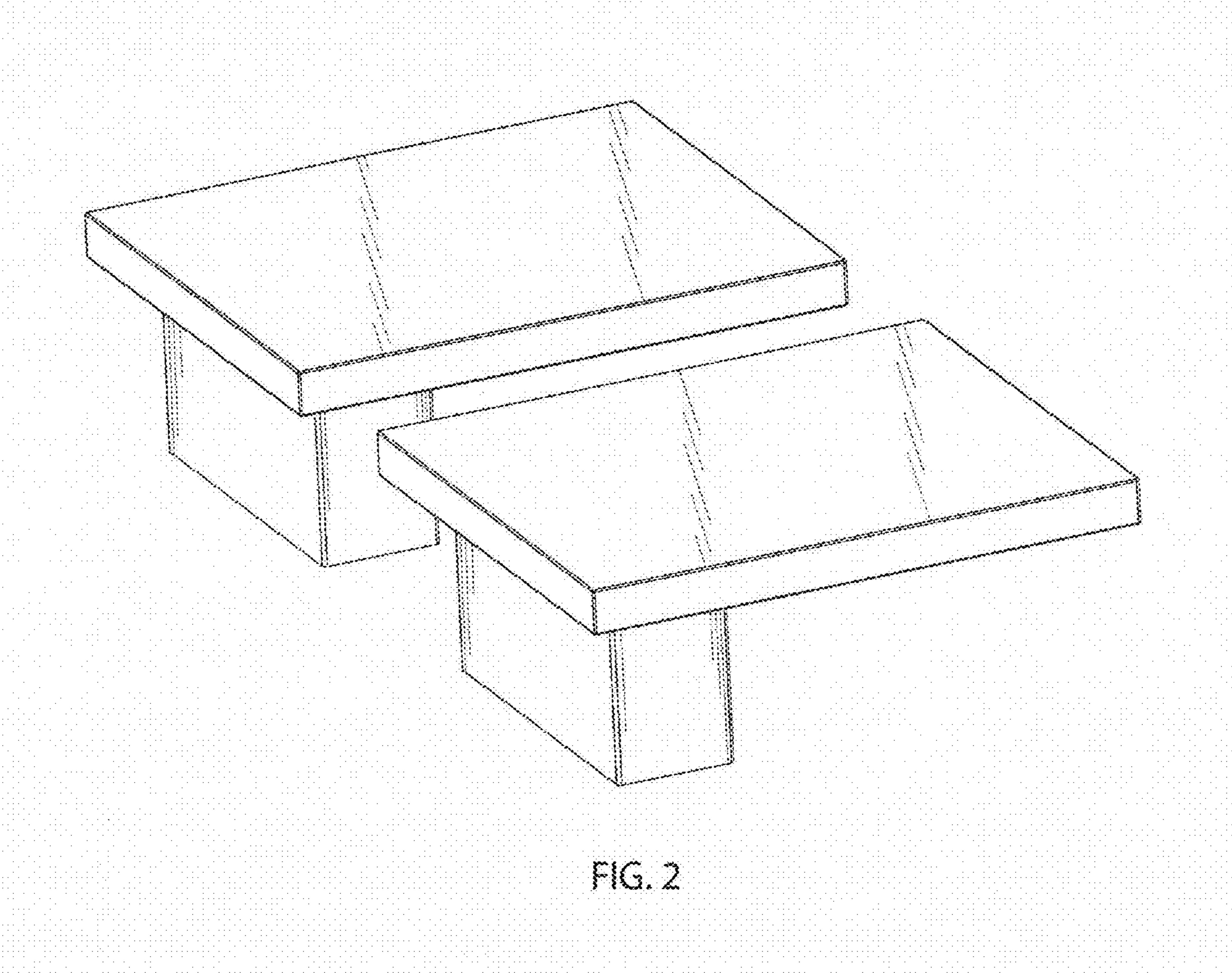


FIG. 1



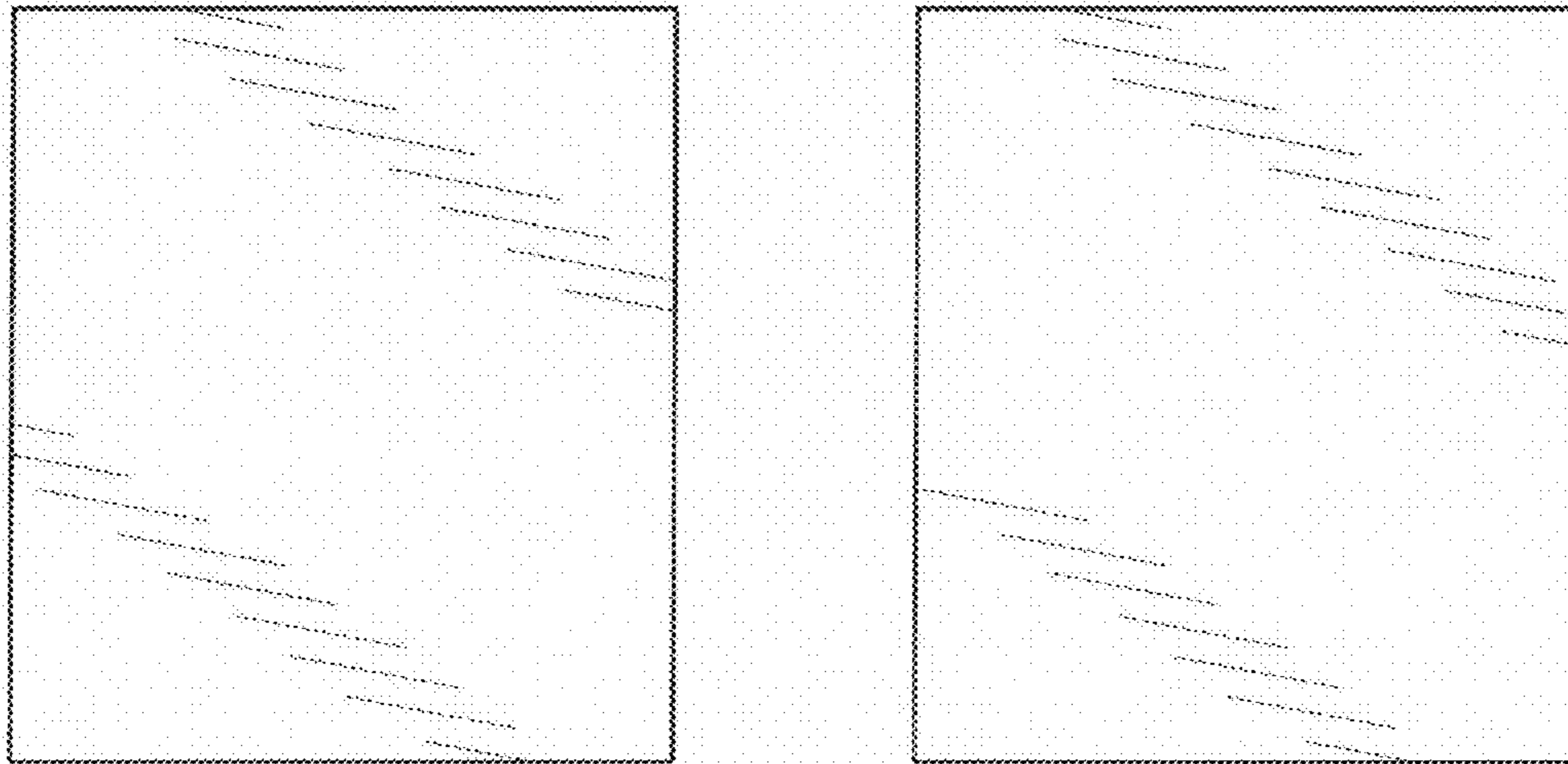


FIG. 3

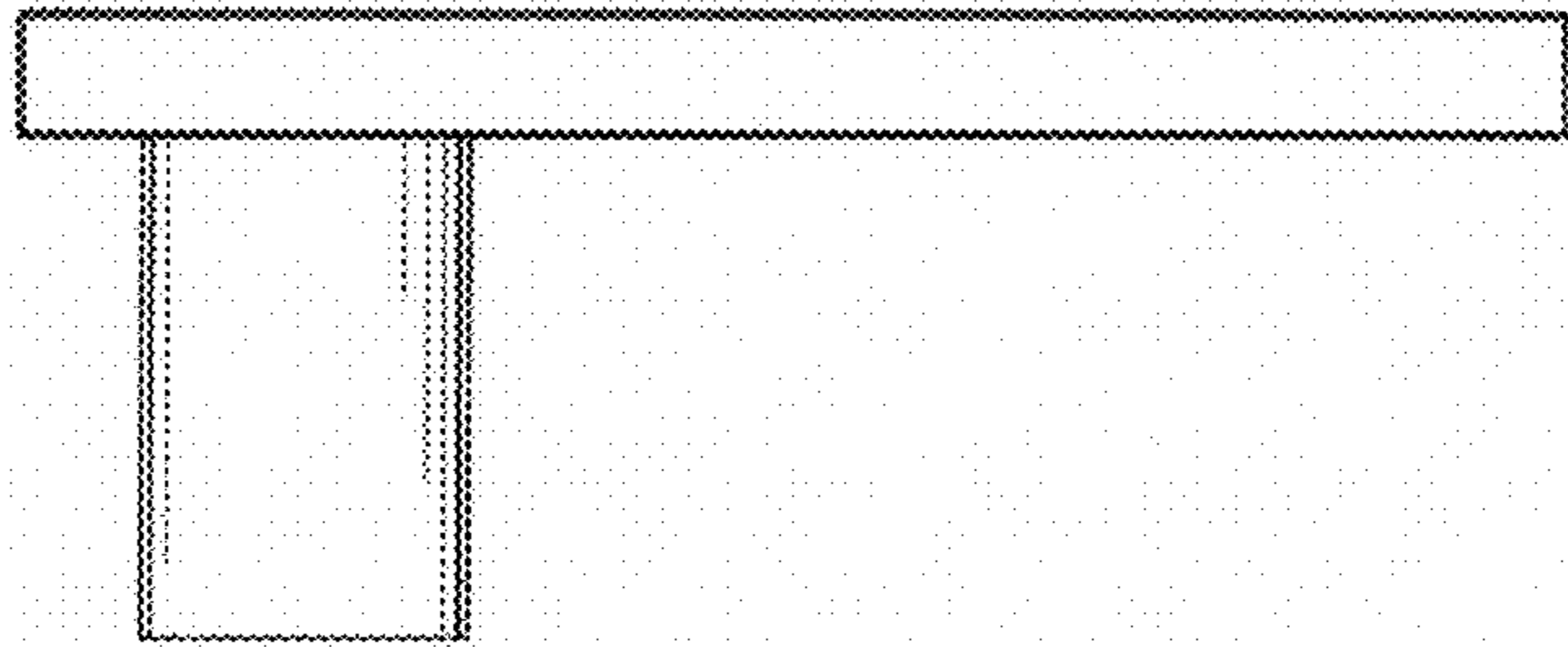


FIG. 4

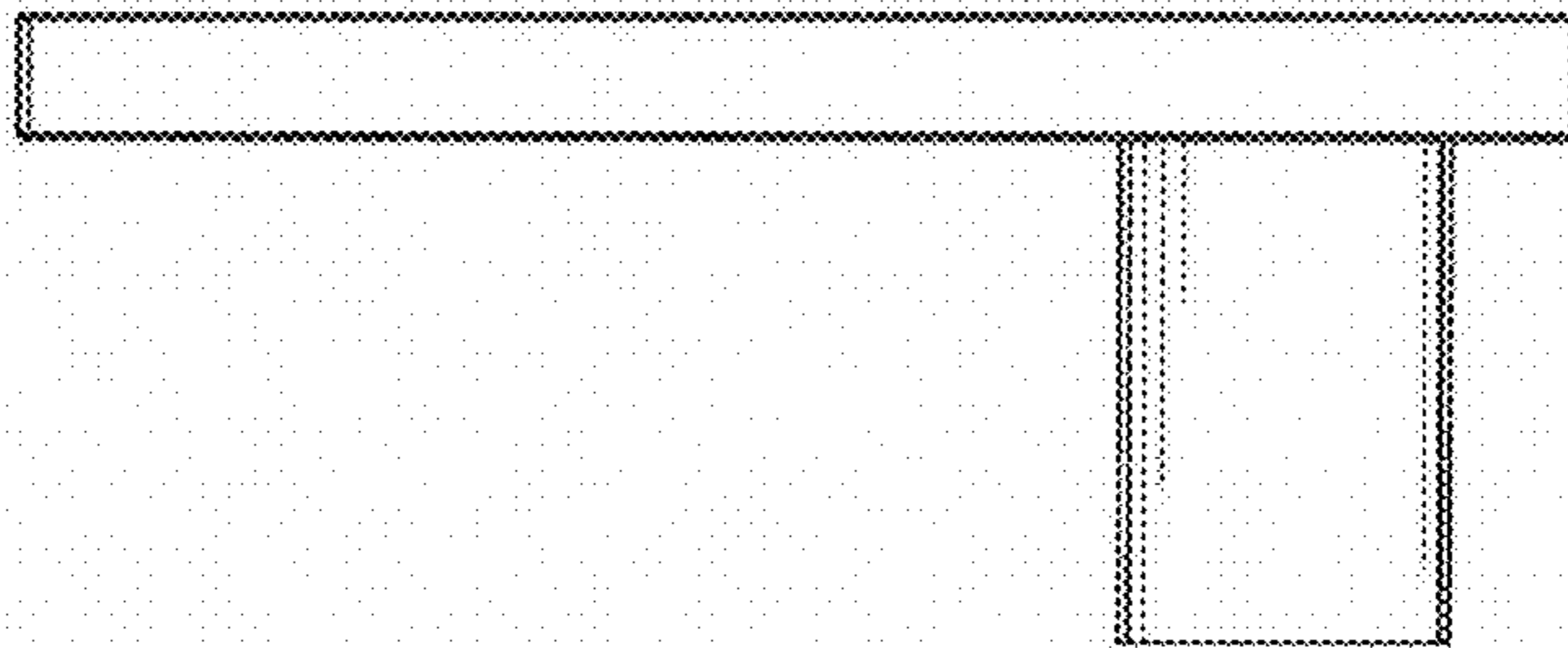


FIG. 5

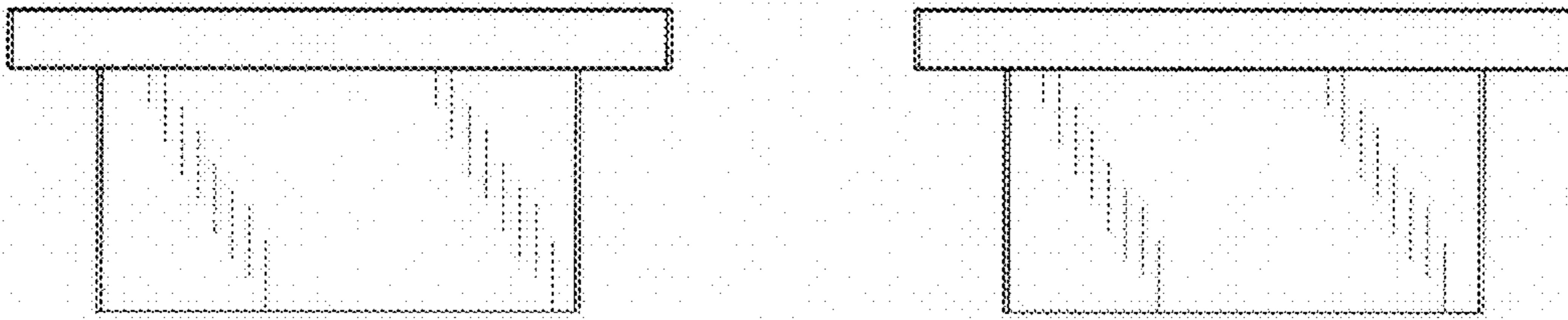


FIG. 6

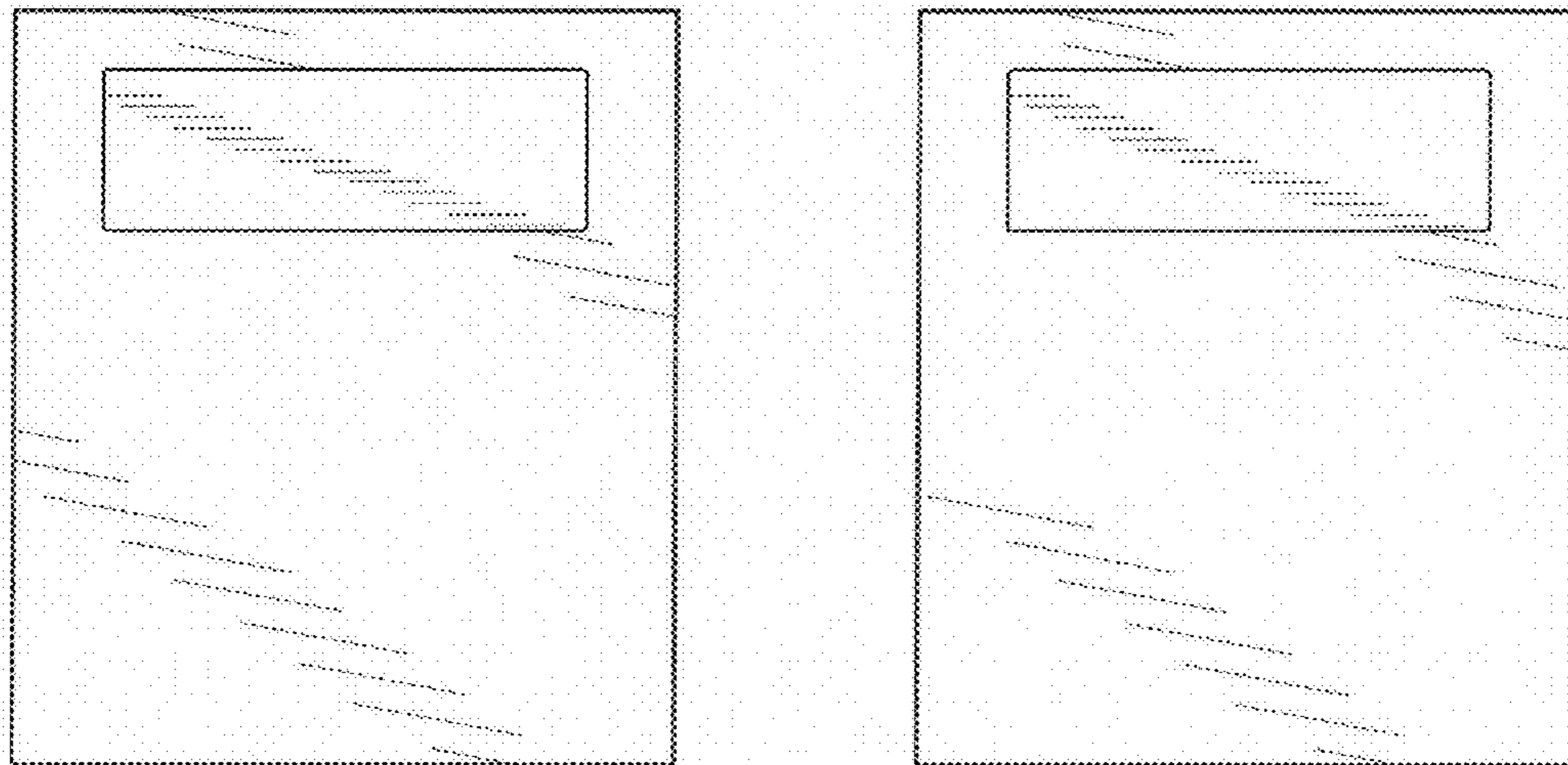


FIG. 7