



US00D768266S

(12) **United States Design Patent** (10) **Patent No.:** **US D768,266 S**
Pareek et al. (45) **Date of Patent:** **** Oct. 4, 2016**

(54) **COMBINED HOUSING AND LEVER FOR A GAS CYLINDER VALVE**

(56) **References Cited**

U.S. PATENT DOCUMENTS

(71) Applicants: **Mayank Pareek**, Tonawanda, NY (US); **Serge M. Campeau**, Orchard park, NY (US); **Ashwini K. Sinha**, East Amherst, NY (US); **John T. Schuhle**, Pittsburgh, PA (US); **Nicholas A. Green**, Pittsburgh, PA (US); **Christopher Scott Daniels**, Columbus, OH (US); **Shannon Douglas Staats**, Ostrander, OH (US); **Mark Edward Mnich**, Westerville, OH (US)

D322,657 S *	12/1991	Aarthun	D23/233
D358,200 S *	5/1995	Cerola	D23/252
D363,761 S *	10/1995	Eggleston	D23/233
D494,659 S *	8/2004	Marinoni	D15/143
D504,713 S *	5/2005	Py	D23/213
D521,599 S *	5/2006	Bates	D23/233
D541,378 S *	4/2007	Sinvani	D23/233
D686,298 S *	7/2013	Ching	D23/233
D711,509 S *	8/2014	Sisk	D23/233
D724,181 S *	3/2015	Condon	D23/233
D736,896 S *	8/2015	Nishimura	D23/233
D738,465 S *	9/2015	Yoshida	D23/233

(72) Inventors: **Mayank Pareek**, Tonawanda, NY (US); **Serge M. Campeau**, Orchard park, NY (US); **Ashwini K. Sinha**, East Amherst, NY (US); **John T. Schuhle**, Pittsburgh, PA (US); **Nicholas A. Green**, Pittsburgh, PA (US); **Christopher Scott Daniels**, Columbus, OH (US); **Shannon Douglas Staats**, Ostrander, OH (US); **Mark Edward Mnich**, Westerville, OH (US)

* cited by examiner

Primary Examiner — Cynthia Ramirez

(74) *Attorney, Agent, or Firm* — Donald T. Black

(73) Assignee: **PRAXAIR TECHNOLOGY, INC.**, Danbury, CT (US)

(57) **CLAIM**

The ornamental design for a combined housing and lever for a gas cylinder valve, as shown and described.

(**) Term: **14 Years**

DESCRIPTION

(21) Appl. No.: **29/508,376**

(22) Filed: **Nov. 5, 2014**

(51) **LOC (10) Cl.** **23-01**

(52) **U.S. Cl.**
USPC **D23/233**

(58) **Field of Classification Search**
USPC D23/233-237, 244-249, 213, 252;
137/554, 556, 315.35; 251/63.5, 58,
251/331

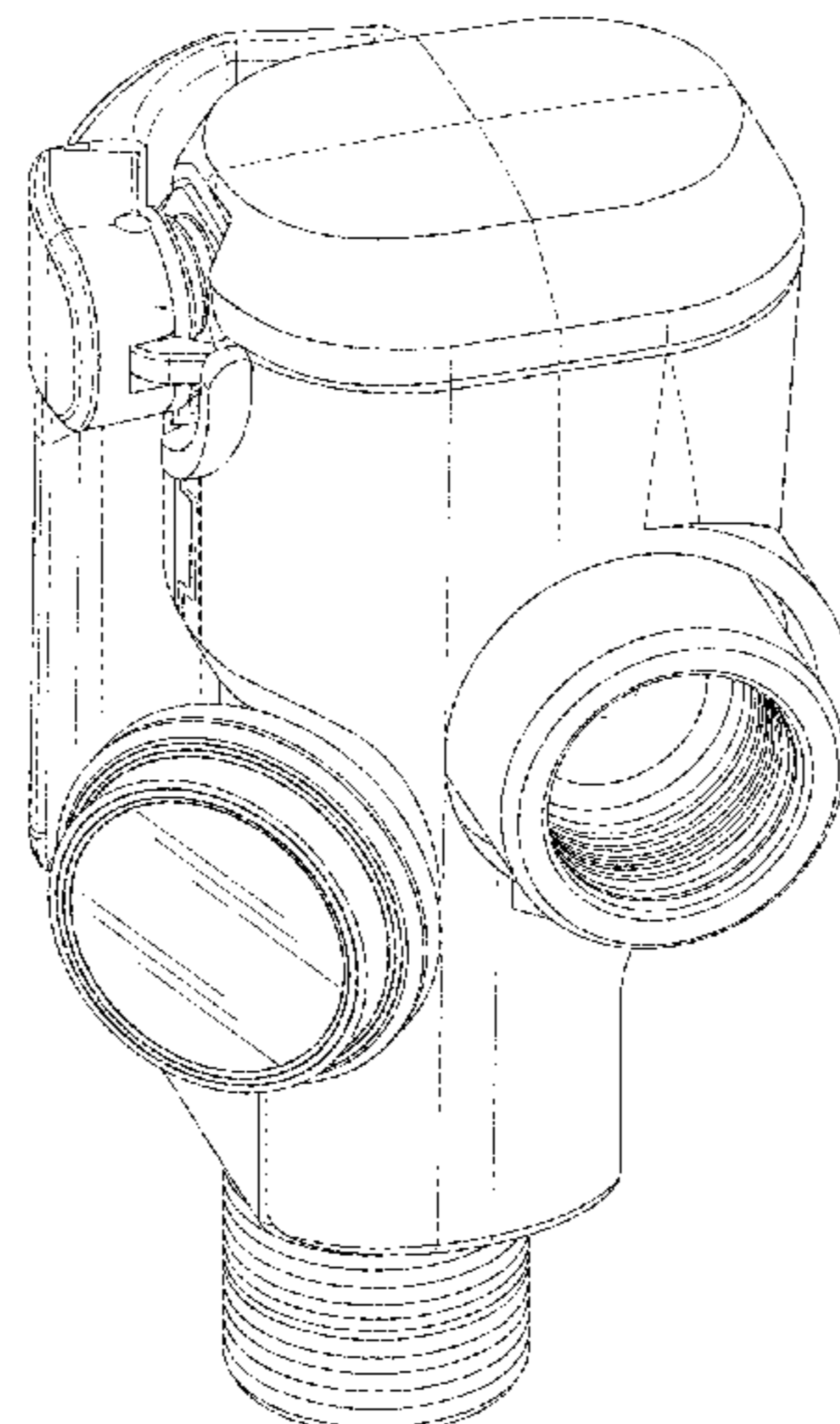
CPC F16K 47/08; F16K 15/188; F16K 31/12;
F16K 5/10; F16K 11/0716; F16K 11/0853

See application file for complete search history.

FIG. 1 is a top, front and left side perspective view of a combined housing and lever for a gas cylinder valve, showing our new design;
FIG. 2 is a top, left, rear perspective view thereof;
FIG. 3 is a rear perspective view thereof;
FIG. 4 is a top plan view thereof;
FIG. 5 is a right side elevational view thereof;
FIG. 6 is a left side elevational view thereof; and,
FIG. 7 is a front elevational view thereof.

The broken lines shown in the figures are included for the purpose of illustrating portions of the combined housing and lever for a gas cylinder and form no part of the claimed design.

1 Claim, 7 Drawing Sheets



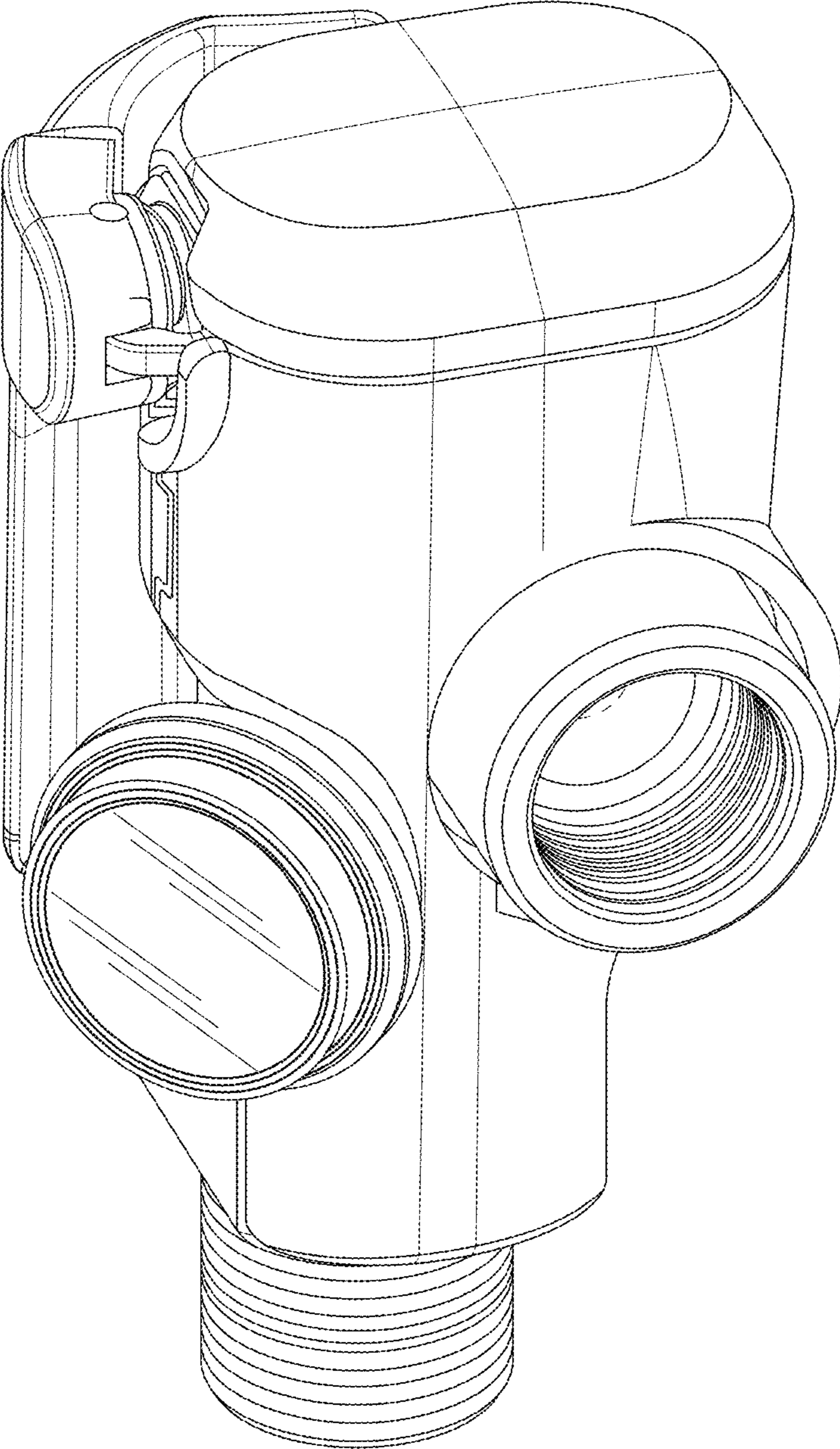


FIG. 1

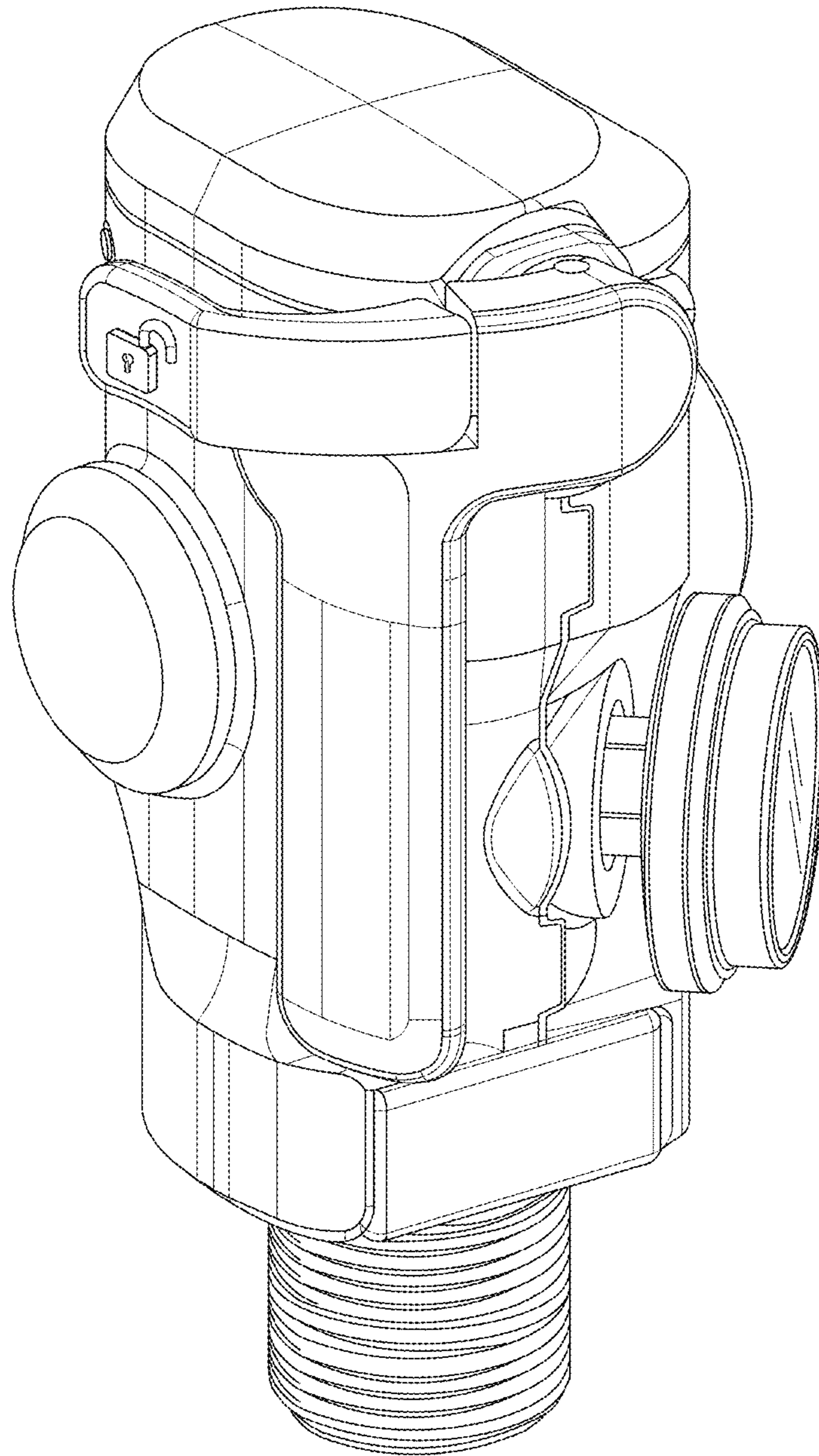


FIG. 2

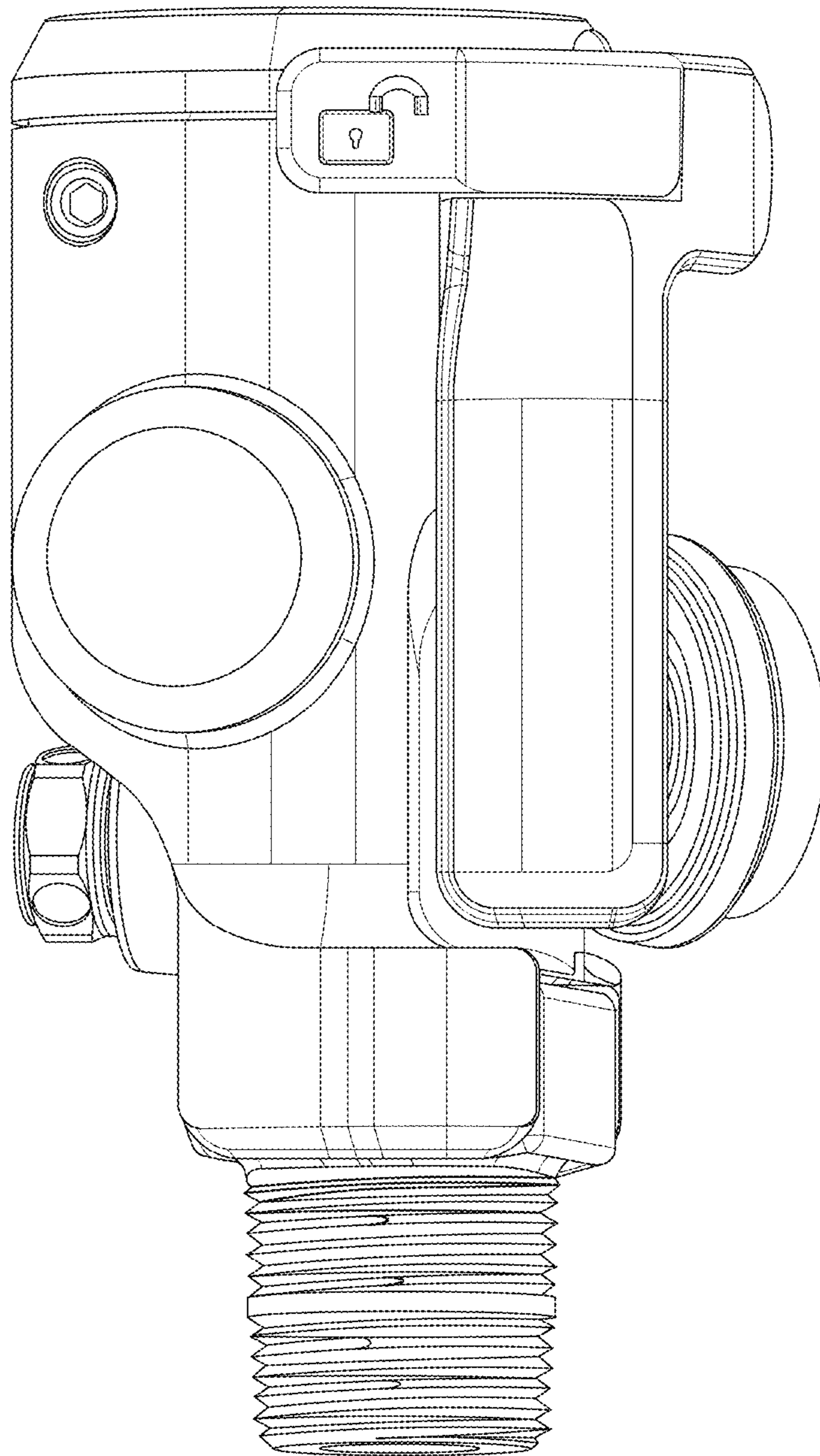


FIG. 3

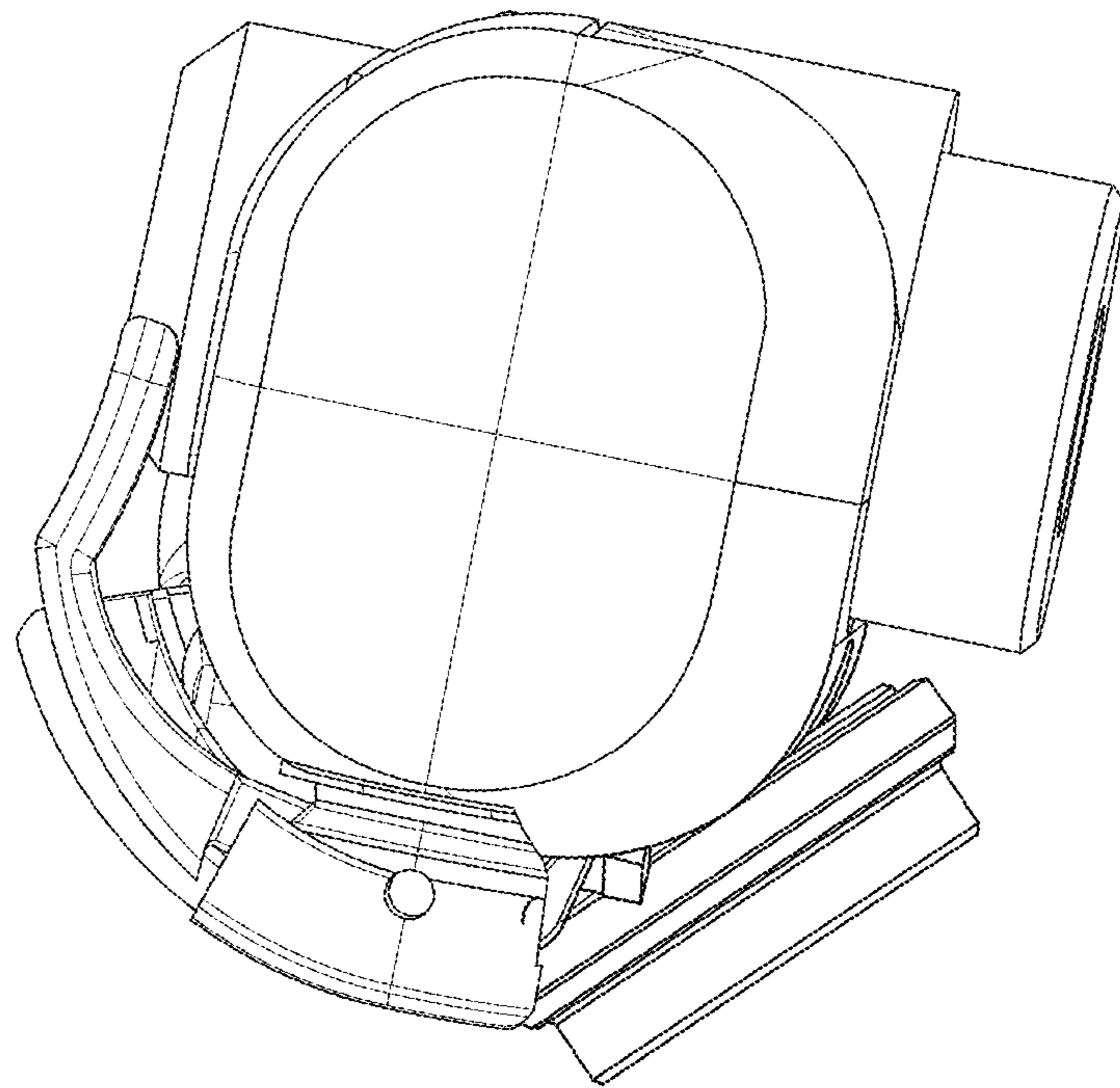


FIG. 4

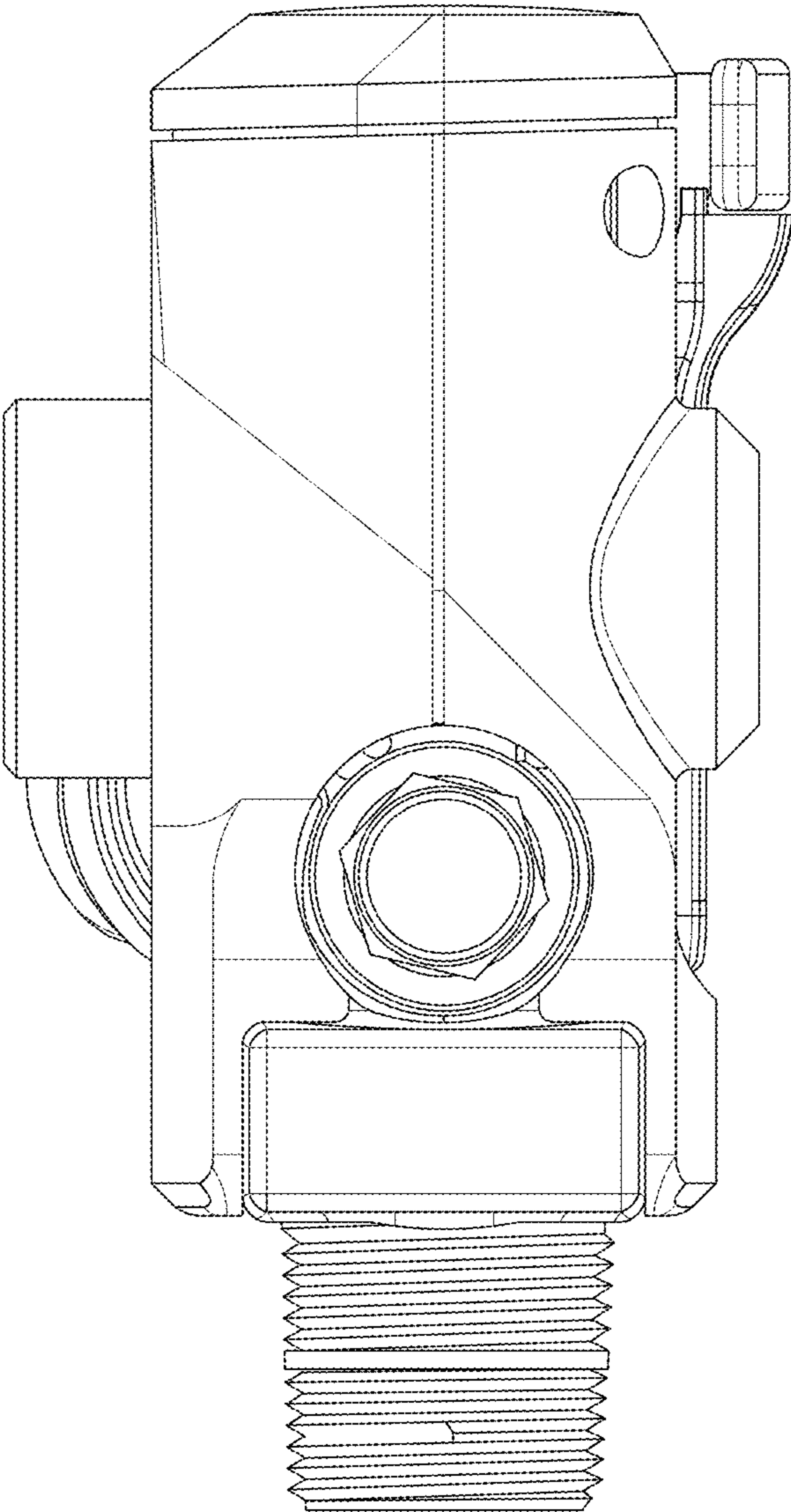


FIG. 5

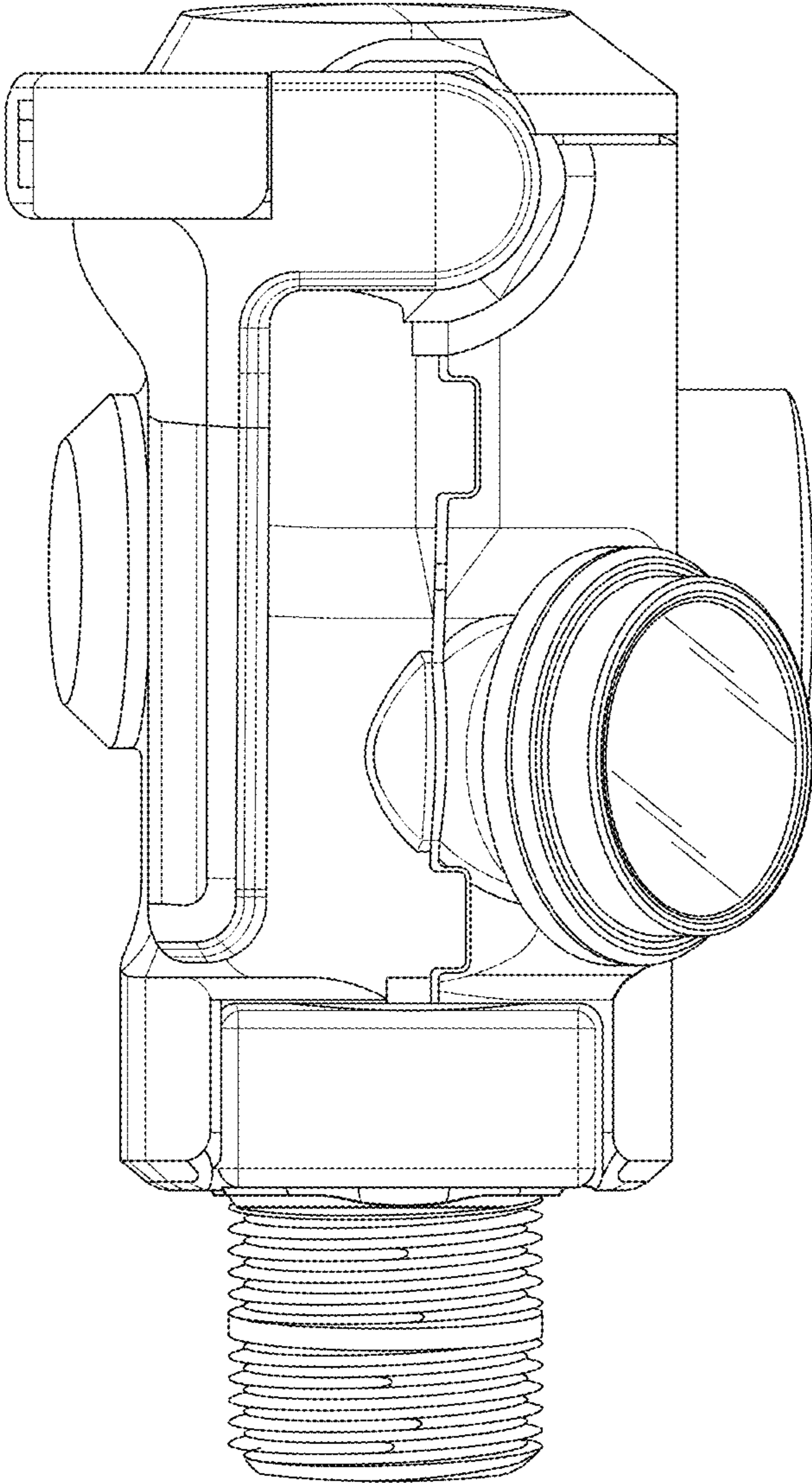


FIG. 6

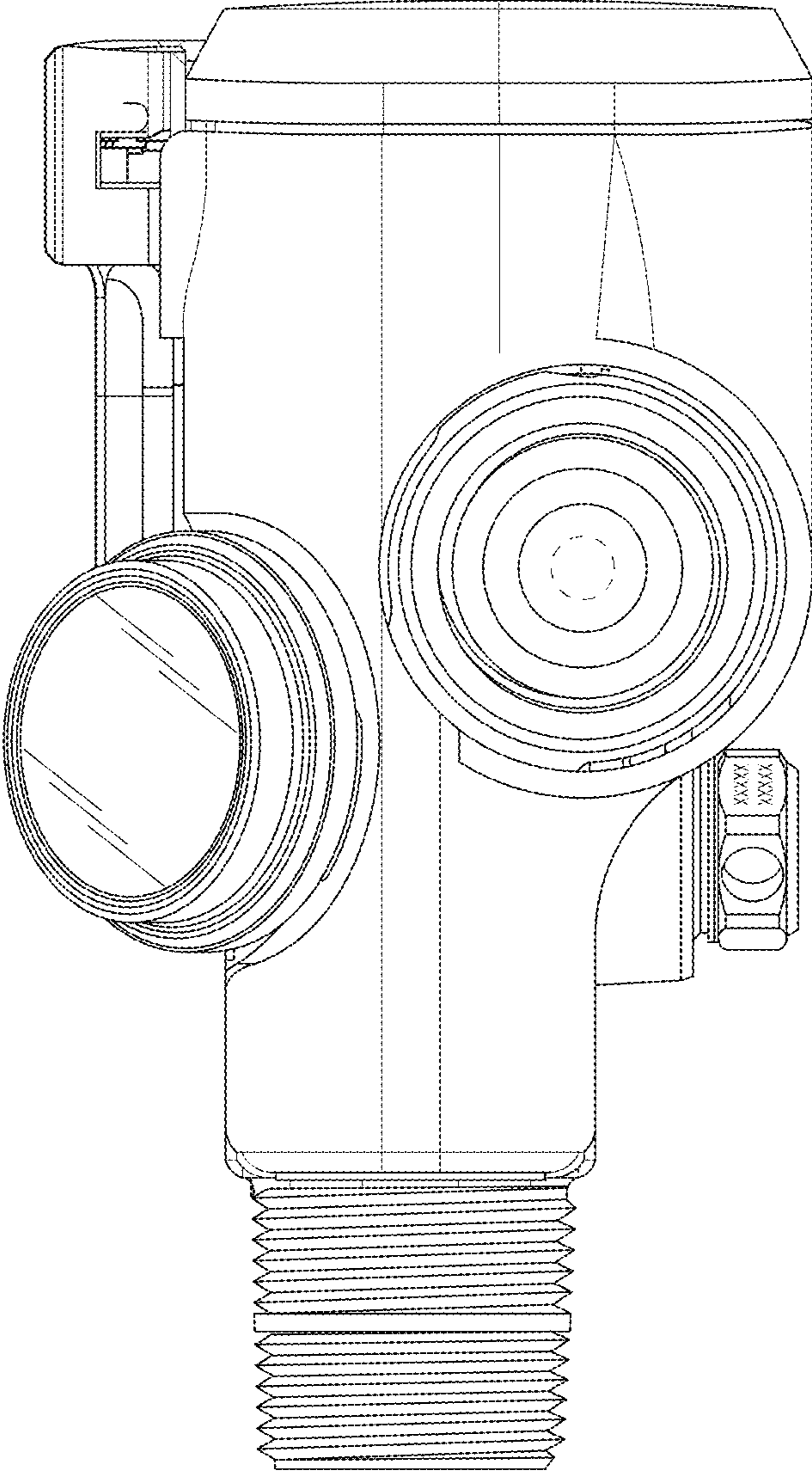


FIG. 7