



US00D768263S

(12) **United States Design Patent**  
**Laber**

(10) **Patent No.:** **US D768,263 S**

(45) **Date of Patent:** **\*\* Oct. 4, 2016**

(54) **SPRAY GUN**

(71) Applicant: **CHAPIN MANUFACTURING, INC.**,  
Batavia, NY (US)

(72) Inventor: **Michael R. Laber**, Hilton, NY (US)

(73) Assignee: **CHAPIN MANUFACTURING, INC.**,  
Batavia, NY (US)

(\*\*) Term: **15 Years**

(21) Appl. No.: **29/527,142**

(22) Filed: **May 15, 2015**

(51) **LOC (10) Cl.** ..... **23-01**

(52) **U.S. Cl.**  
USPC ..... **D23/226**

(58) **Field of Classification Search**  
USPC ..... D23/213, 223, 226; 239/526, 532  
CPC ..... B05B 9/01; B05B 15/061  
See application file for complete search history.

(56) **References Cited**

**U.S. PATENT DOCUMENTS**

1,961,481 A	6/1934	Downs	
3,814,329 A	6/1974	Clark	
4,083,474 A	4/1978	Waite et al.	
D291,113 S *	7/1987	Bauer	D23/226
4,834,293 A	5/1989	Lichfield	
5,931,508 A	8/1999	Spriegel	
5,975,432 A	11/1999	Han	
6,015,100 A	1/2000	Restive	
6,182,911 B1	2/2001	Hanks et al.	
6,345,776 B1	2/2002	Hurray et al.	
6,702,203 B2	3/2004	Jou	
6,929,198 B2	8/2005	Dexter	
D518,873 S	4/2006	Carpanese	
7,028,925 B2	4/2006	Guest et al.	
D547,422 S	7/2007	Carpanese	

D551,738 S	9/2007	Tanner	
D571,434 S *	6/2008	Renner	D23/223
D573,690 S *	7/2008	Meyer	D23/223
D574,927 S	8/2008	Larsen	
D582,513 S *	12/2008	Zingoni	D23/226
D592,277 S	5/2009	Yorns	
D600,778 S	9/2009	Meyer	
7,641,133 B2	1/2010	Wilfert	
7,661,609 B2	2/2010	Dexter et al.	
D615,157 S	5/2010	Chen	
D636,848 S	4/2011	Fontaine	

(Continued)

**OTHER PUBLICATIONS**

Chapin Industrial Sprayer Catalog, Chapin International, Inc., 2014.  
(Continued)

*Primary Examiner* — Robin V Webster

(74) *Attorney, Agent, or Firm* — Kenneth J. Lukacher  
Law Group

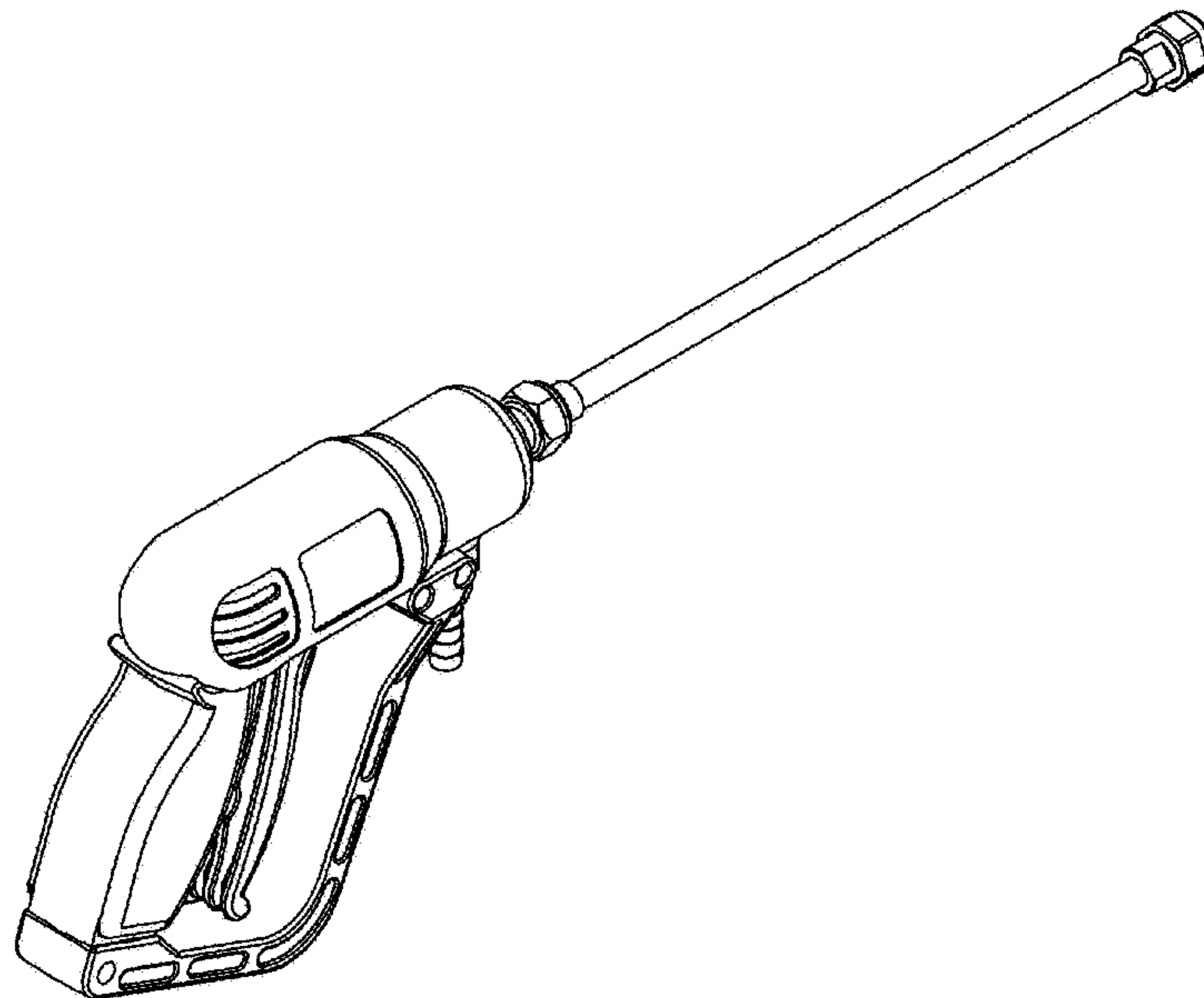
(57) **CLAIM**

The ornamental design for a spray gun, as shown and described.

**DESCRIPTION**

FIG. 1 is a perspective view looking downwardly from the right side of the rear of a spray gun in accordance with my design;  
FIG. 2 is a perspective view looking upwardly from the right side of the front thereof;  
FIG. 3 is a right side view thereof, the left side view thereof being a mirror image of the right side view;  
FIG. 4 is a top view thereof;  
FIG. 5 is a bottom view thereof;  
FIG. 6 is a front view thereof; and,  
FIG. 7 is a rear view thereof.

**1 Claim, 7 Drawing Sheets**



(56)

**References Cited**

U.S. PATENT DOCUMENTS

D656,220 S 3/2012 Delorme et al.  
8,939,387 B2 1/2015 Fontaine  
D753,265 S \* 4/2016 Burchard ..... D23/226  
2006/0151634 A1 7/2006 Pivovarov

OTHER PUBLICATIONS

NorthStar Trigger Spray Gun/Lance Combo, Northern Tool & Equipment, [www.northerntool.com](http://www.northerntool.com), printed May 7, 2015.  
Raptor Blast Deluxe 5000 PSI 10 GPM Pressure Washer Gun and 24" Wand, [www.amazon.com](http://www.amazon.com), printed May 7, 2015.

\* cited by examiner

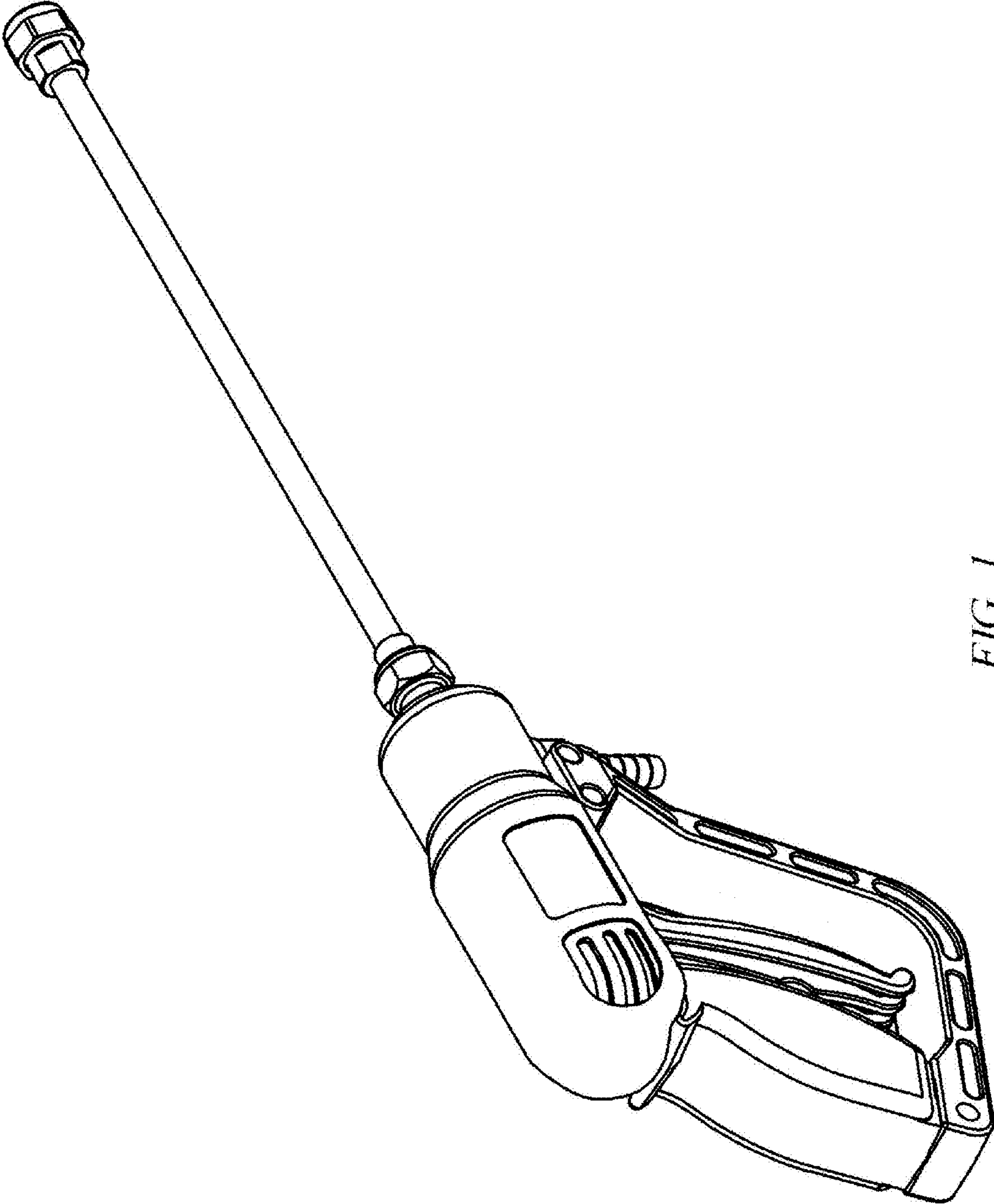


FIG. 1

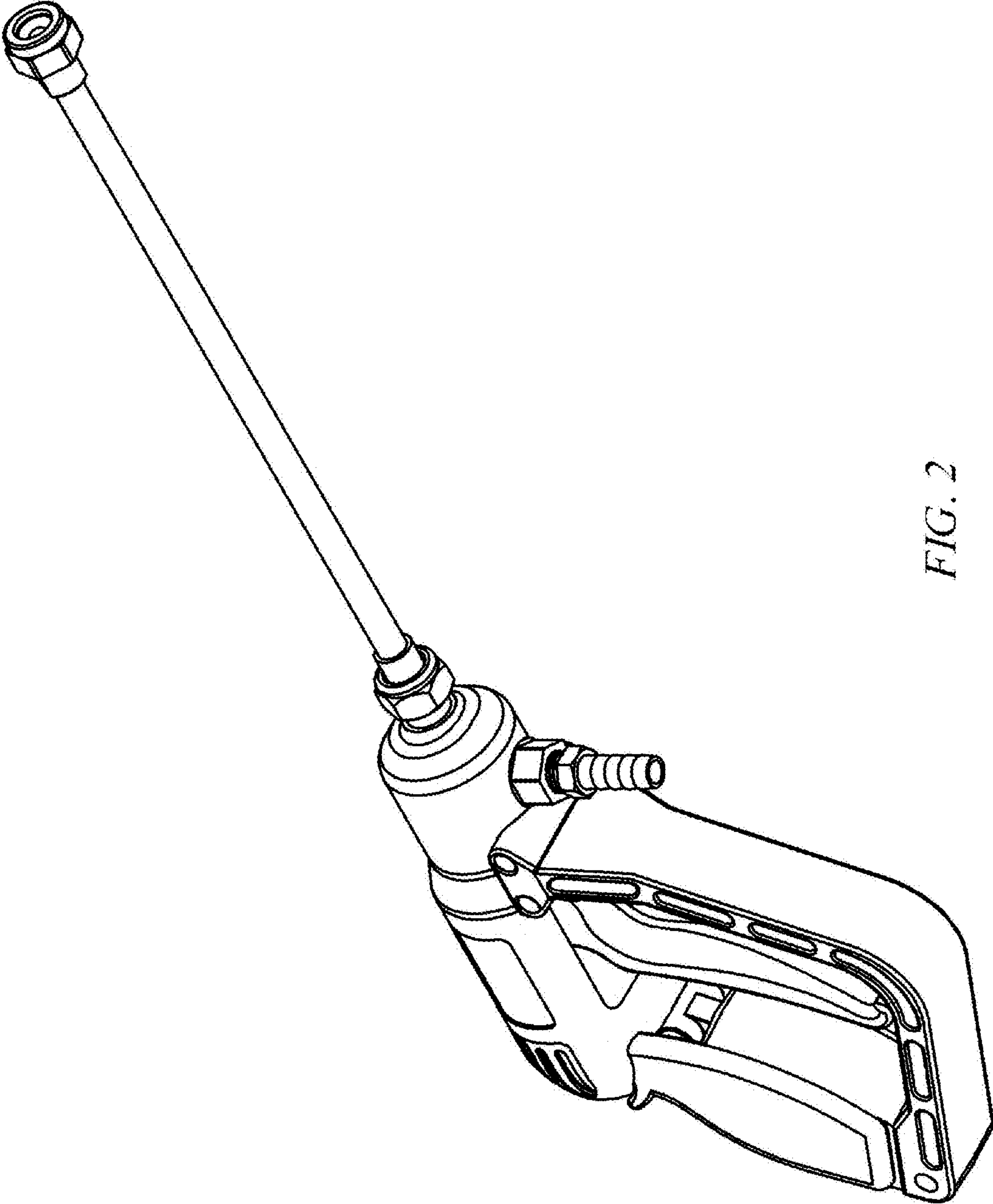


FIG. 2

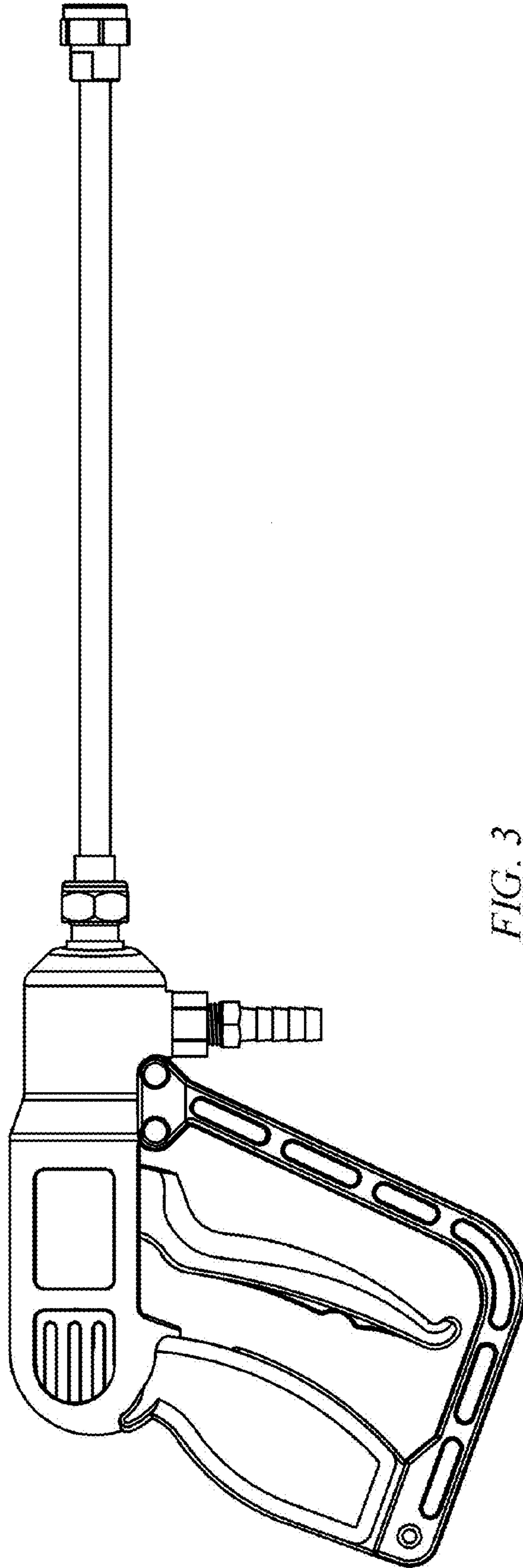


FIG. 3

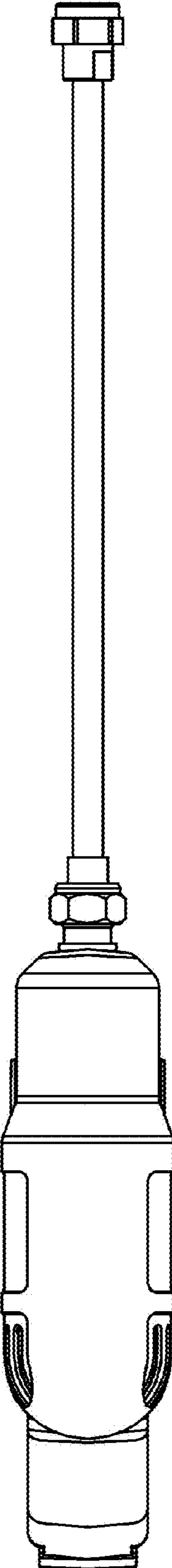


FIG. 4



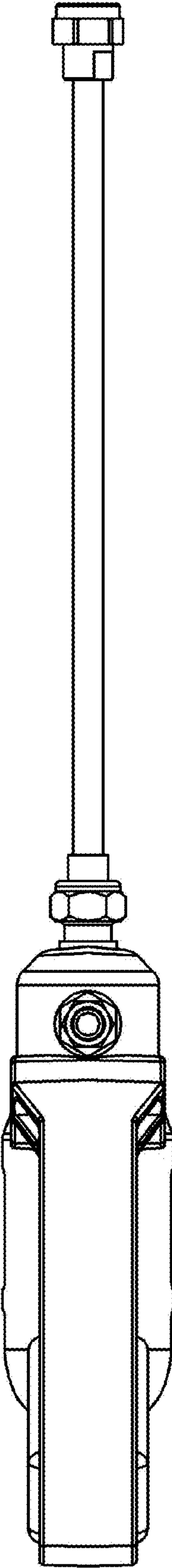


FIG. 5

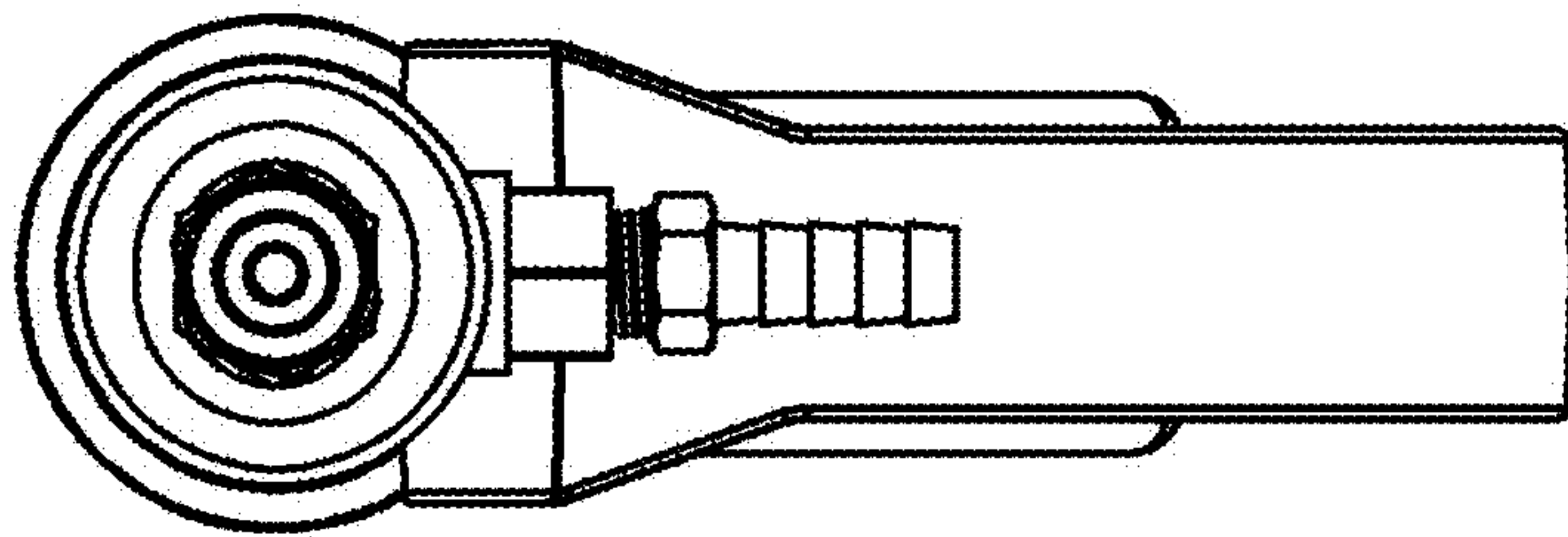


FIG. 6



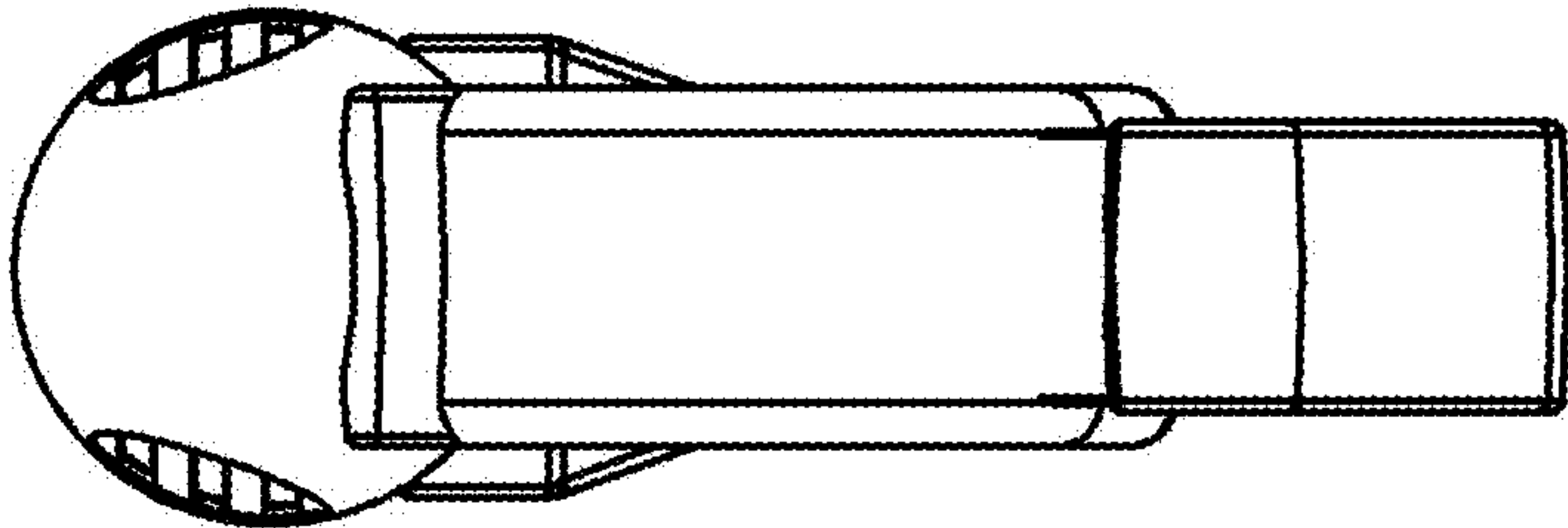


FIG. 7