



US00D768262S

(12) **United States Design Patent**
Kaneko et al.

(10) **Patent No.:** **US D768,262 S**
(45) **Date of Patent:** **** Oct. 4, 2016**

(54) **NOZZLE**

(71) Applicant: **Anest Iwata Corporation**, Yokohma, Kanagawa-ken (JP)

(72) Inventors: **Masaru Kaneko**, Fujisawa (JP);
Takayuki Hata, Yokohama (JP)

(73) Assignee: **Anest Iwata Corporation** (JP)

(**) Term: **15 Years**

(21) Appl. No.: **29/539,614**

(22) Filed: **Sep. 16, 2015**

(30) **Foreign Application Priority Data**

Mar. 17, 2015 (JP) 2015-005676

(51) **LOC (10) Cl.** **23-01**

(52) **U.S. Cl.**
USPC **D23/213**

(58) **Field of Classification Search**
USPC D23/213, 223, 226; 239/690, 690.1;
361/227, 228

CPC B05B 5/1691; B05B 5/043; B05B 5/0533
See application file for complete search history.

(56) **References Cited**

U.S. PATENT DOCUMENTS

2,780,496 A 2/1957 Asbeck et al.
3,482,781 A 12/1969 Sharpe
3,677,470 A * 7/1972 Probst B05B 5/0533
239/707
4,219,157 A 8/1980 Binoche

(Continued)

FOREIGN PATENT DOCUMENTS

DE 10031857 1/2002
DE 102009020194 11/2010

(Continued)

OTHER PUBLICATIONS

Brochure—Anest Iwata, “Spray Gun” (28 Pages); published about Mar. 2012.

Primary Examiner — Robin V Webster

(74) *Attorney, Agent, or Firm* — Flaster/Greenberg P.C.

(57) **CLAIM**

The ornamental design of a nozzle, as shown and described.

DESCRIPTION

FIG. 1 is a top perspective view of an embodiment of a nozzle showing a new design. The nozzle is attached to a spray gun, shown in broken lines, presenting a typical environment of the design.

FIG. 2 is a right side elevation view of the nozzle of the present design.

FIG. 3 is a left side elevation view, opposite of the view of FIG. 2, of the nozzle of the present design.

FIG. 4 is a top plan view of the nozzle of the present design.

FIG. 5 is a bottom plan view of the nozzle of the present design.

FIG. 6 is a front side elevation view of the nozzle of the present design.

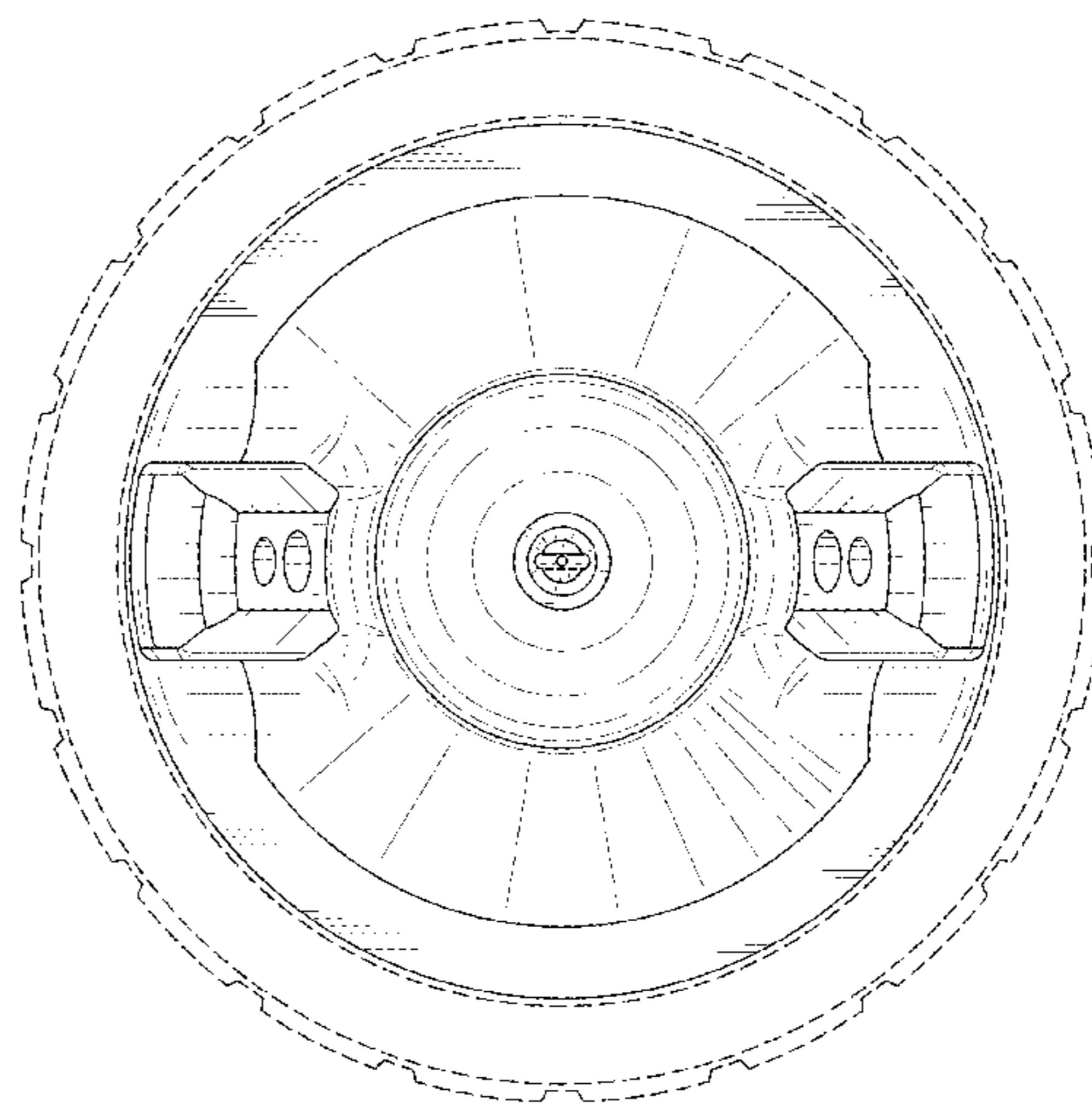
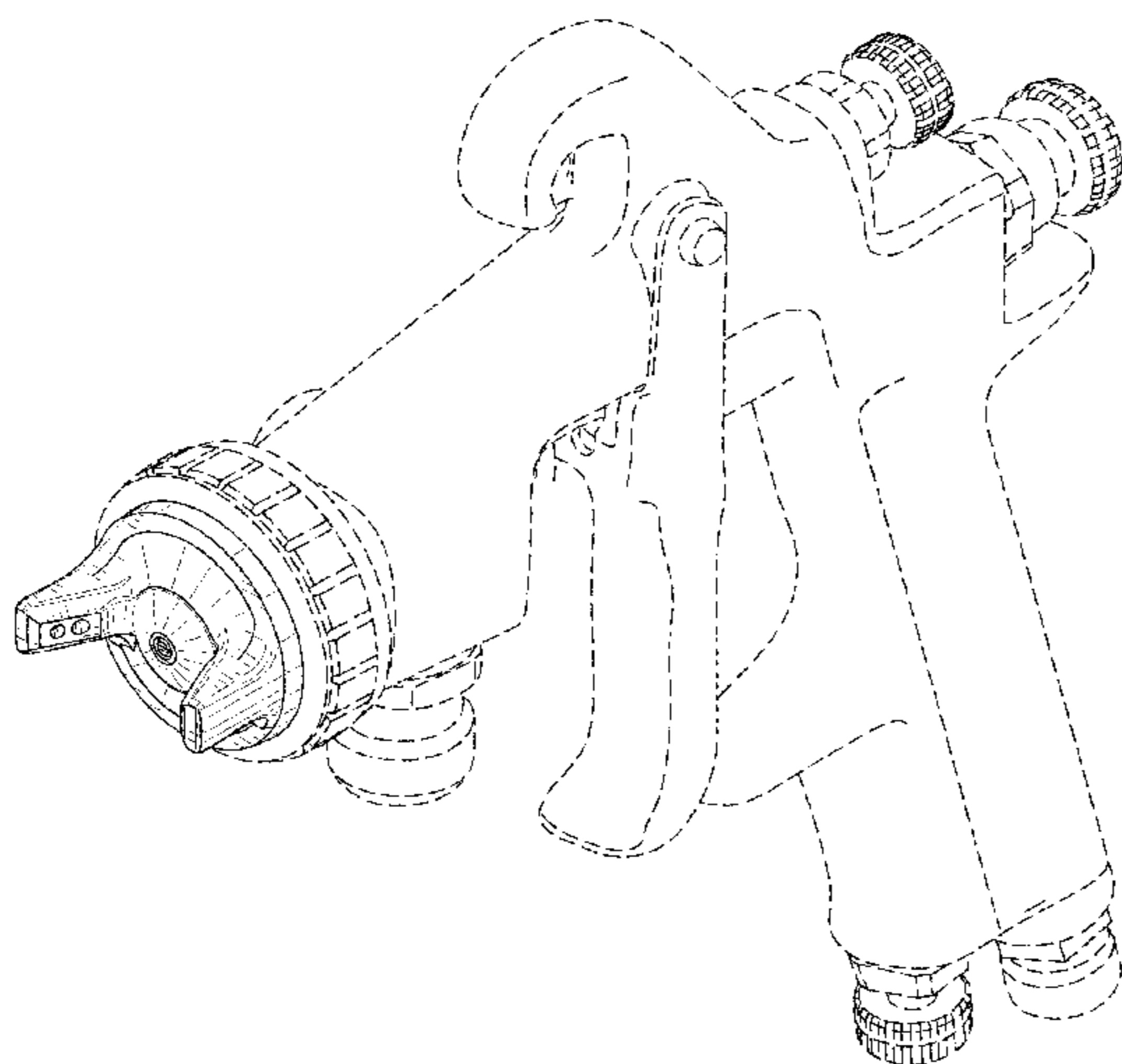
FIG. 7 is a rear side elevation view of the nozzle of the present design.

FIG. 8 is an enlarged front side elevation view of the nozzle of the present design, with portions of the spray gun being not show and with other portions shown in broken lines; and,

FIG. 9 is an enlarged front side elevation view of a further example of a nozzle of the present design, with portions of the spray gun being not show and with other portions shown in broken lines.

Broken lines in the present drawings are presented to show an example of the environment of the new design. The portions shown in broken lines form no part of the claimed design.

1 Claim, 7 Drawing Sheets



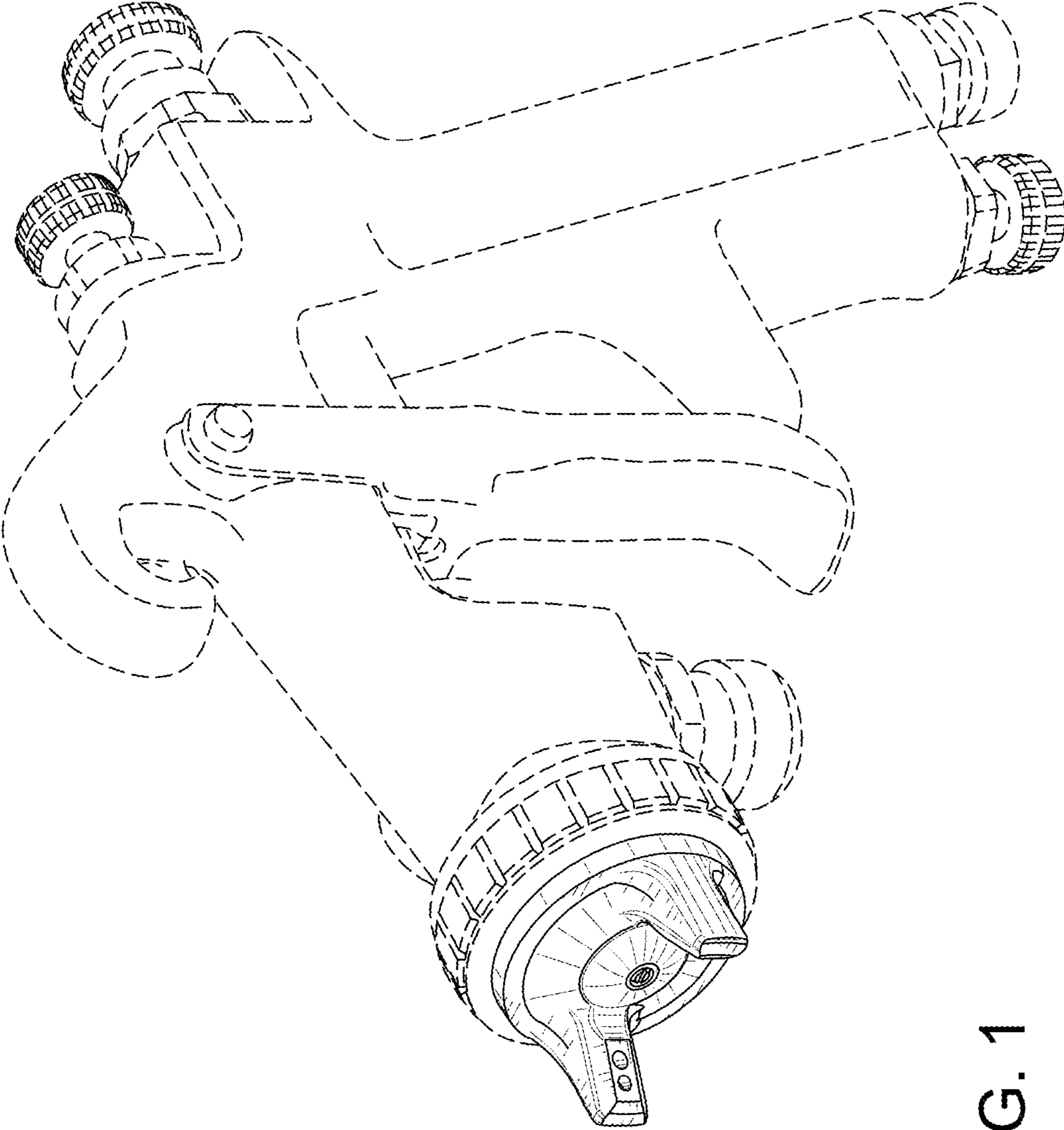


FIG. 1

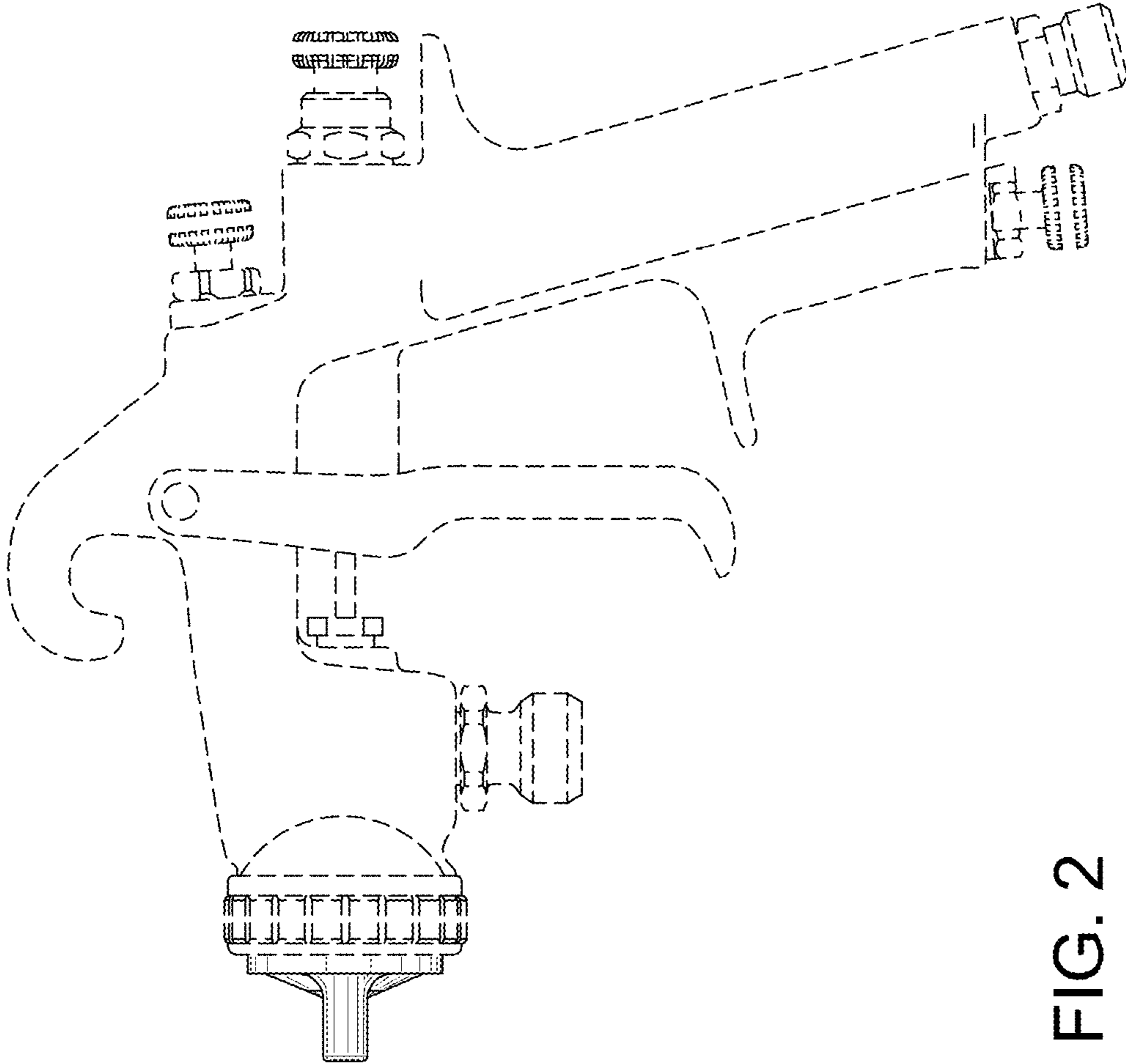


FIG. 2

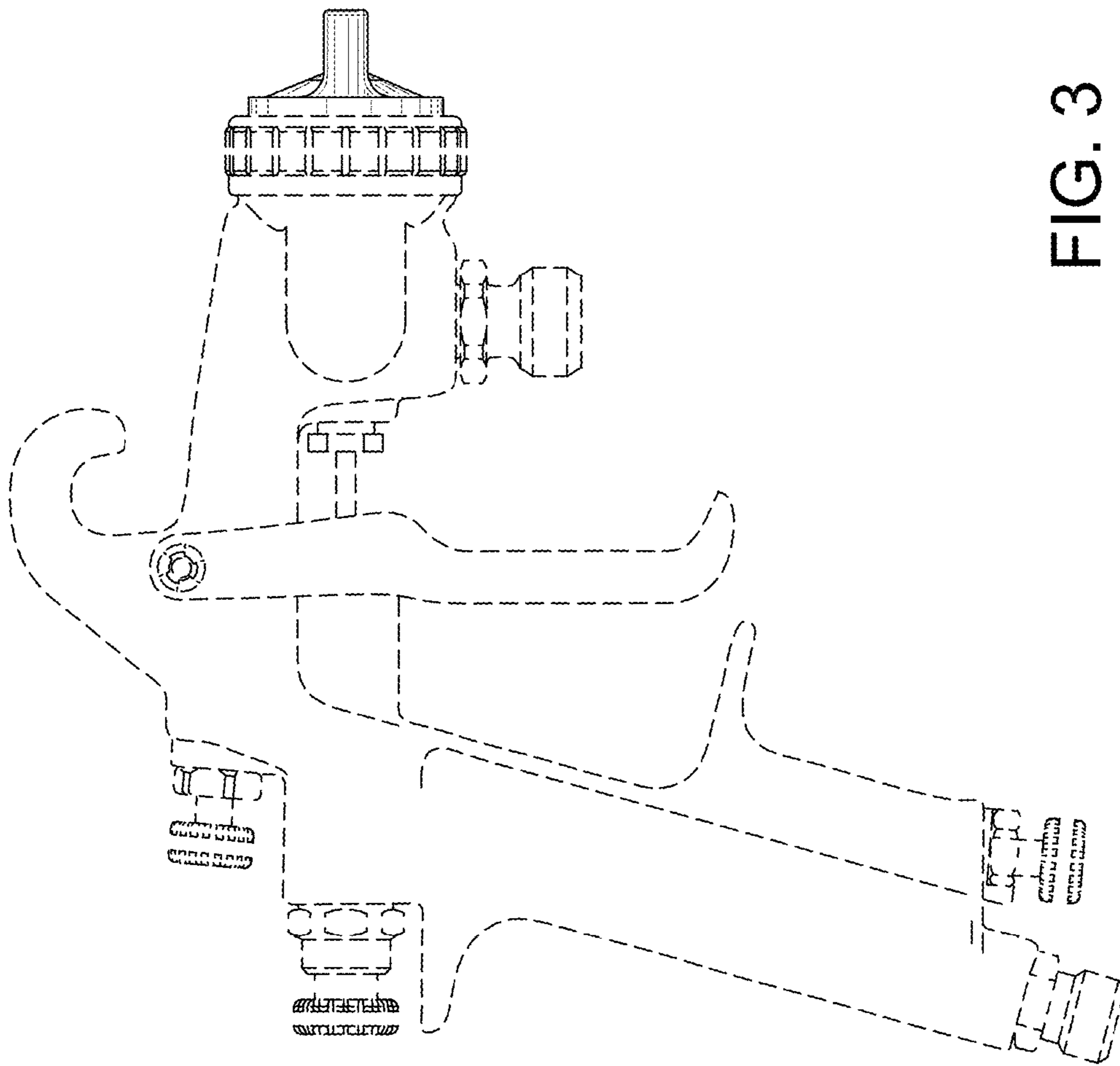


FIG. 3

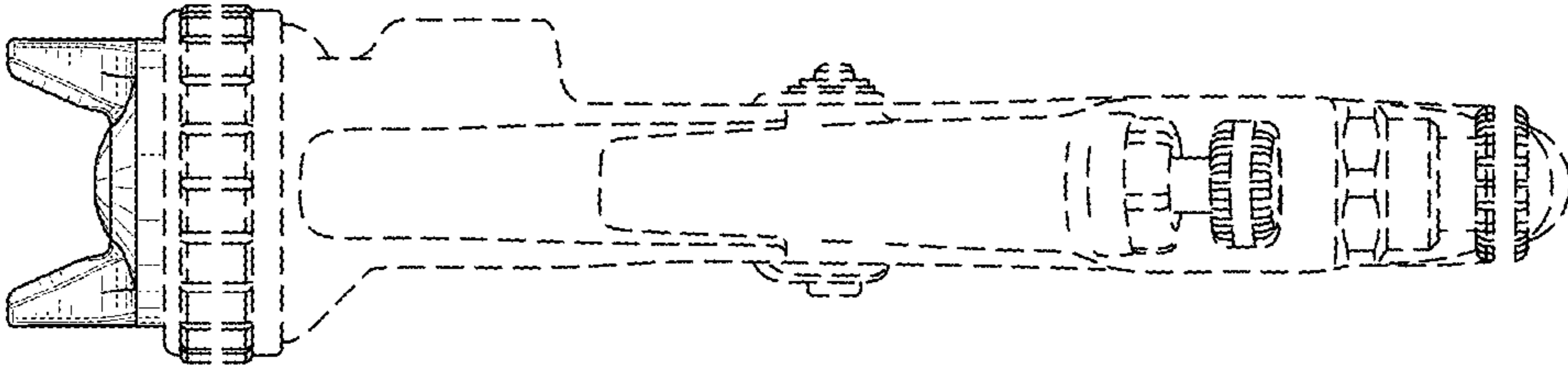


FIG. 4

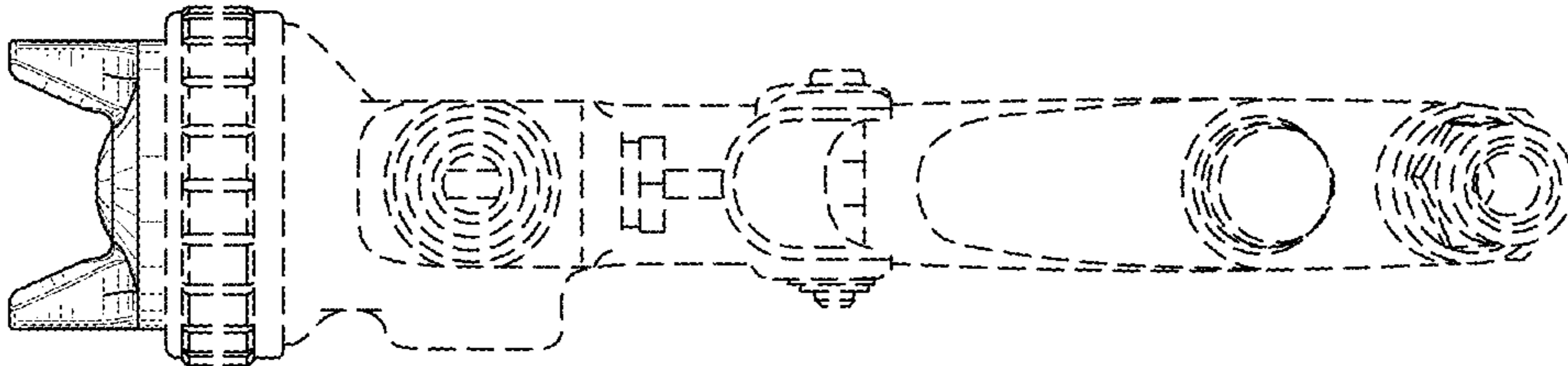


FIG. 5

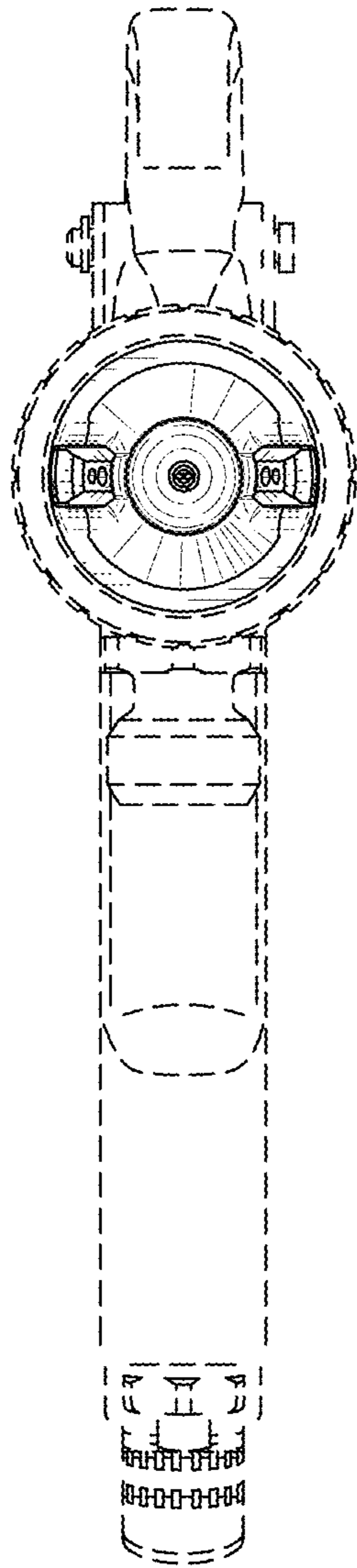


FIG. 6

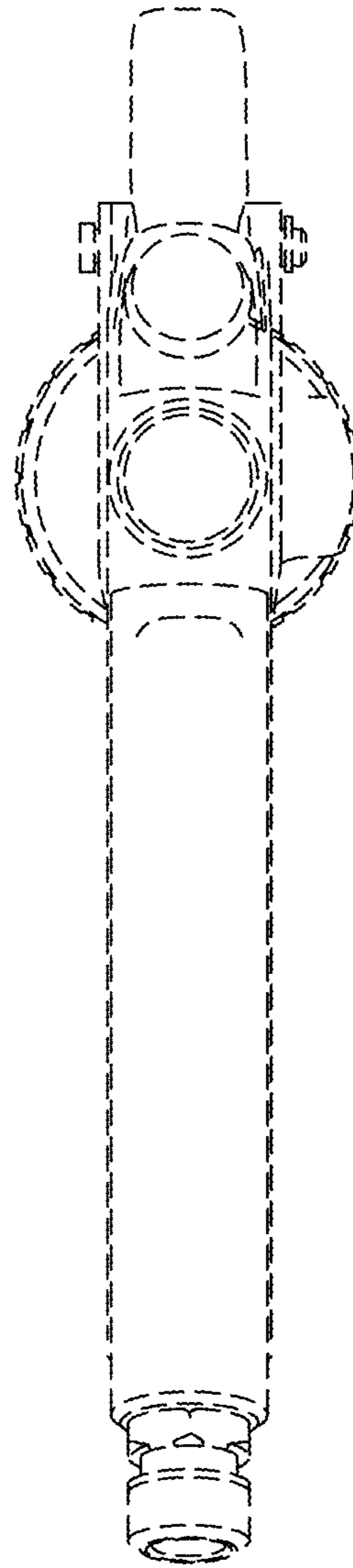


FIG. 7

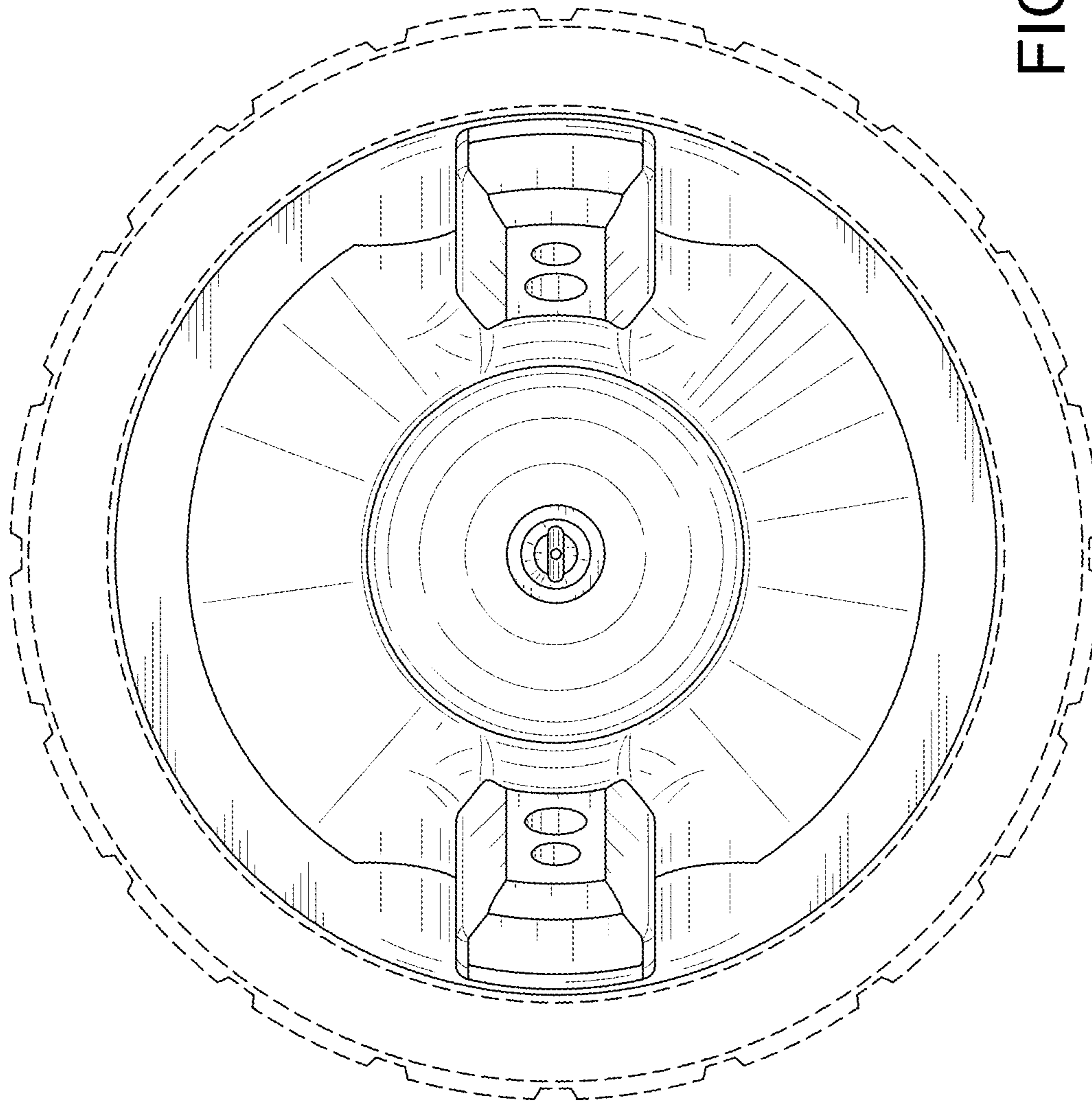


FIG. 8

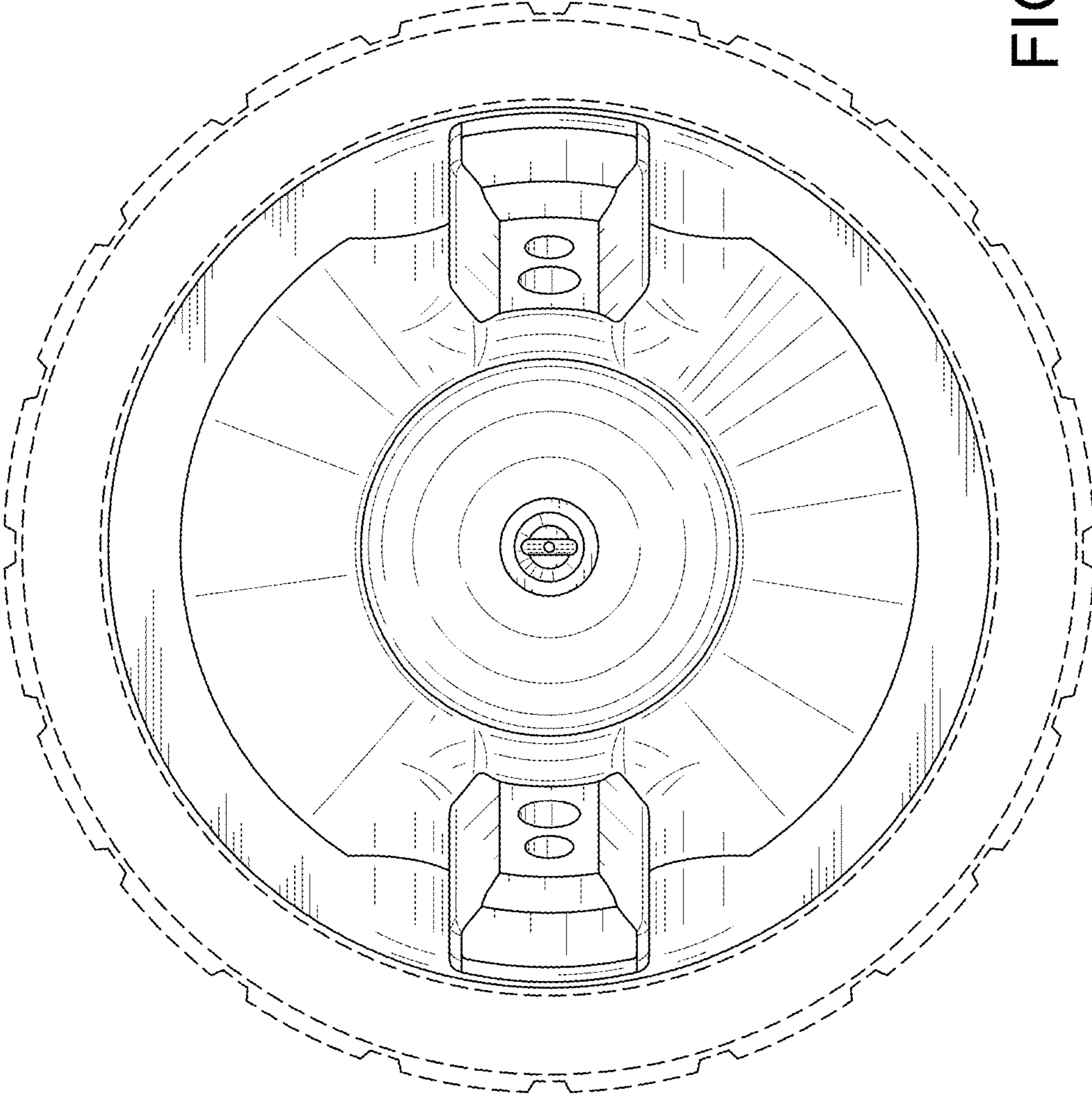


FIG. 9