



US00D768257S

(12) **United States Design Patent**
Boyd et al.

(10) **Patent No.:** **US D768,257 S**
(45) **Date of Patent:** **** Oct. 4, 2016**

- (54) **RIFLE SCOPE MOUNTING RING PART WITH MOVABLE ACCESSORY RAIL**
- (71) Applicant: **Nightforce Optics, Inc.**, Orofino, ID (US)
- (72) Inventors: **Pietro Boyd**, Orofino, ID (US); **Kris Wisdom**, Orofino, ID (US)
- (73) Assignee: **Lightforce USA, Inc.**, Orofino, ID (US)
- (**) Term: **14 Years**
- (21) Appl. No.: **29/513,084**
- (22) Filed: **Dec. 26, 2014**
- (51) **LOC (10) Cl.** **22-01**
- (52) **U.S. Cl.**
USPC **D22/109**
- (58) **Field of Classification Search**
USPC D22/108-109; D16/132, 130, 133, 330, D16/134
CPC .. F41G 11/001; F41G 11/003; F41G 11/004; F41G 1/00; F41G 1/38; F41G 11/005
See application file for complete search history.

D638,089 S *	5/2011	Ding	D22/109
D654,552 S	2/2012	Wu et al.		
D698,000 S *	1/2014	Beckett	D22/109
D713,921 S *	9/2014	Williams	D22/109
D715,393 S *	10/2014	Williams	D22/109
D732,631 S *	6/2015	Cheng	D22/109
2008/0034638 A1 *	2/2008	Spuhr	F41G 11/006 42/127
2009/0038198 A1	2/2009	Yu		
2012/0311909 A1	12/2012	Cheng		

* cited by examiner

Primary Examiner — Michael A Pratt

(74) *Attorney, Agent, or Firm* — Wood Herron & Evans LLP

(57) **CLAIM**

The ornamental design for a rifle scope mounting ring part with movable accessory rail, as shown and described.

DESCRIPTION

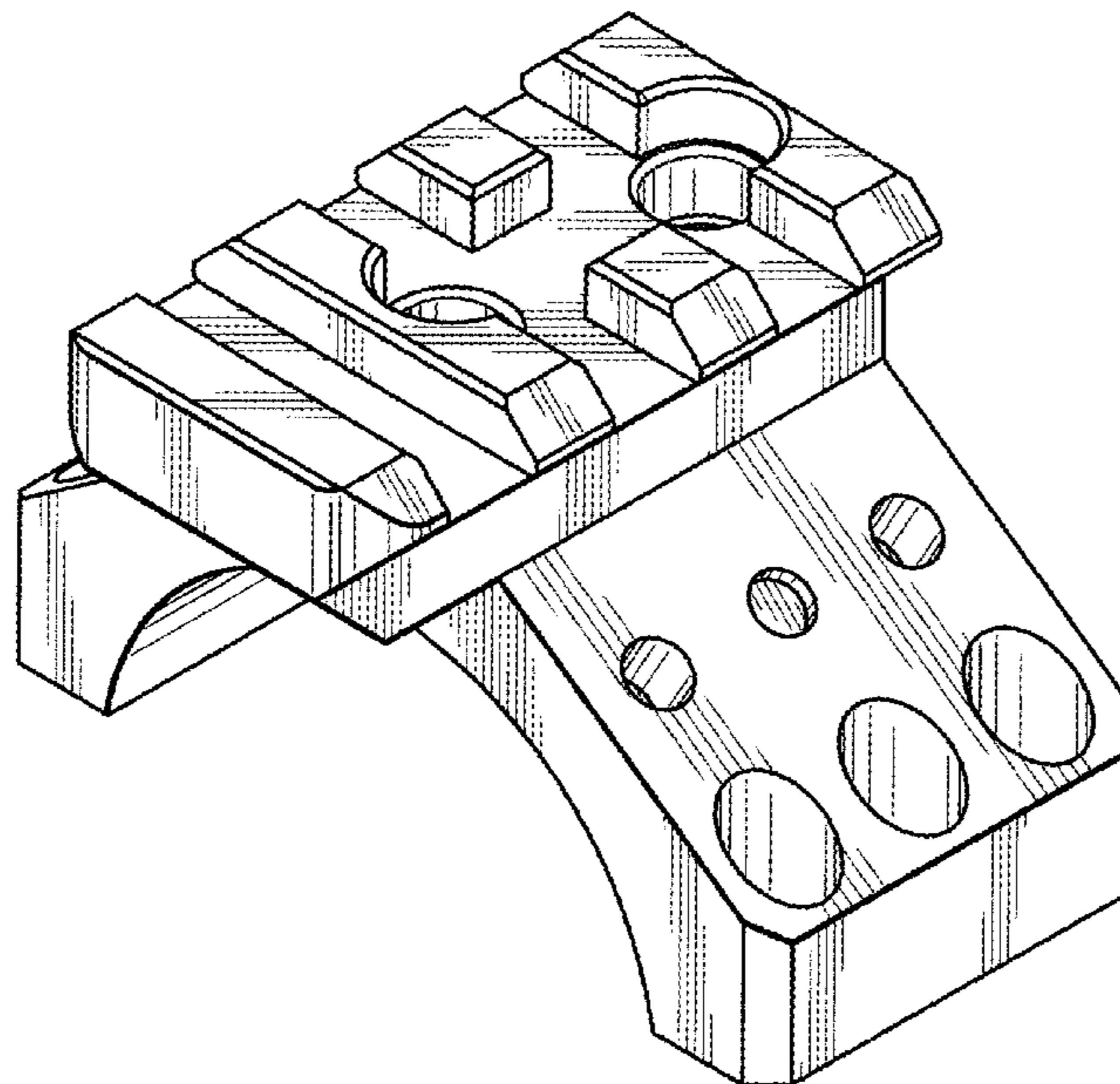
FIG. 1 is an isometric view of the rifle scope mounting ring part with movable accessory rail;
 FIG. 2 is a front plan view thereof;
 FIG. 3 is a rear plan view thereof;
 FIG. 4 is a top plan view thereof;
 FIG. 5 is a bottom plan view thereof;
 FIG. 6 is a right side plan view thereof;
 FIG. 7 is a left side plan view thereof;
 FIG. 8 is an isometric view with the movable accessory rail shown in an alternate position;
 FIG. 9 is a front plan view with the movable accessory rail shown in the alternate position; and,
 FIG. 10 is a top plan view with the movable accessory rail shown in the alternate position.

1 Claim, 5 Drawing Sheets

(56) **References Cited**

U.S. PATENT DOCUMENTS

D250,271 S *	11/1978	Williams	D22/110
4,216,600 A *	8/1980	Brueckner	F41G 11/005 42/127
D403,393 S *	12/1998	Weast	D22/108
D447,532 S	9/2001	Keng		
6,629,381 B1	10/2003	Keng		
7,908,784 B2	3/2011	Kim		



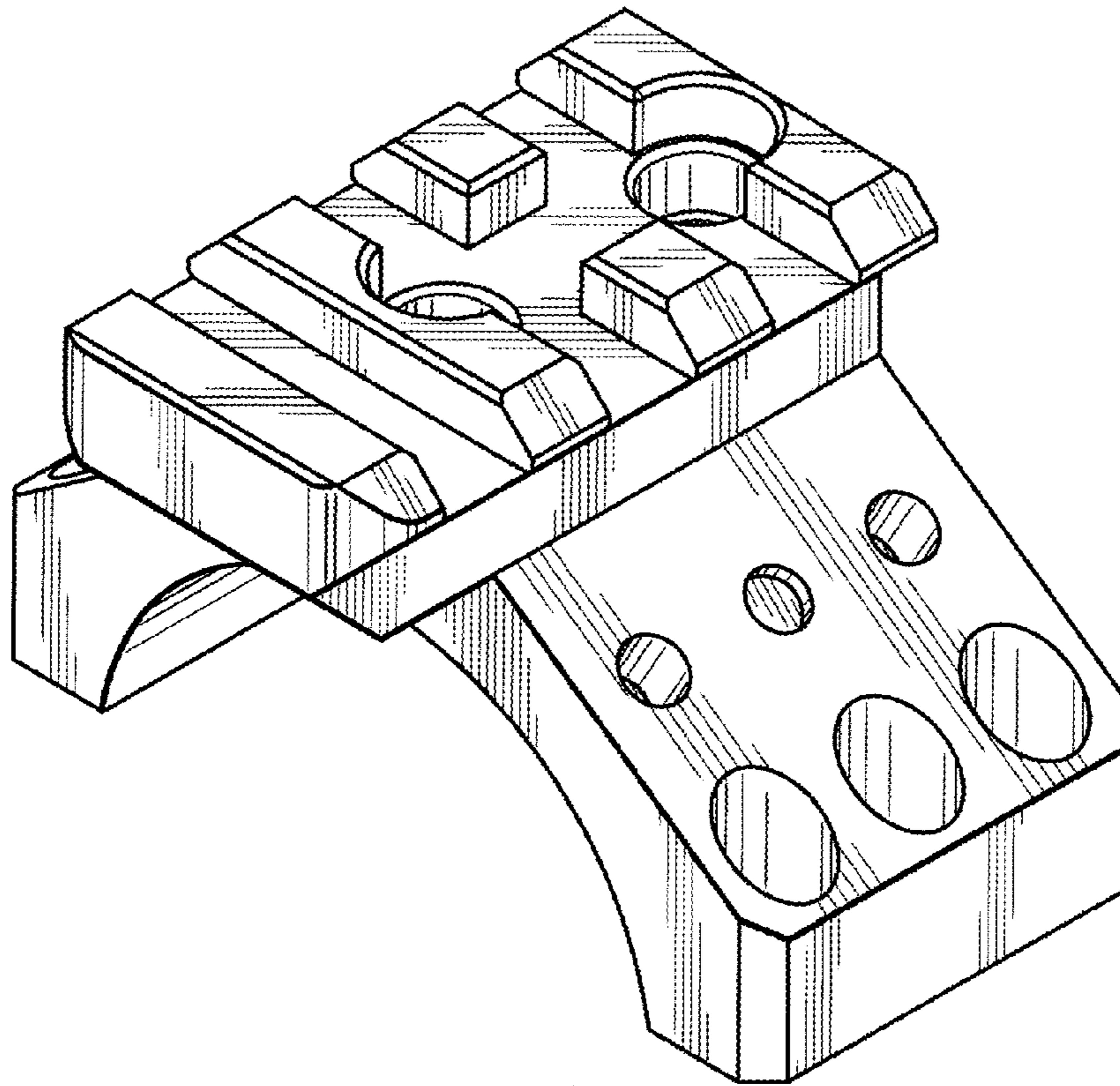


FIG. 1

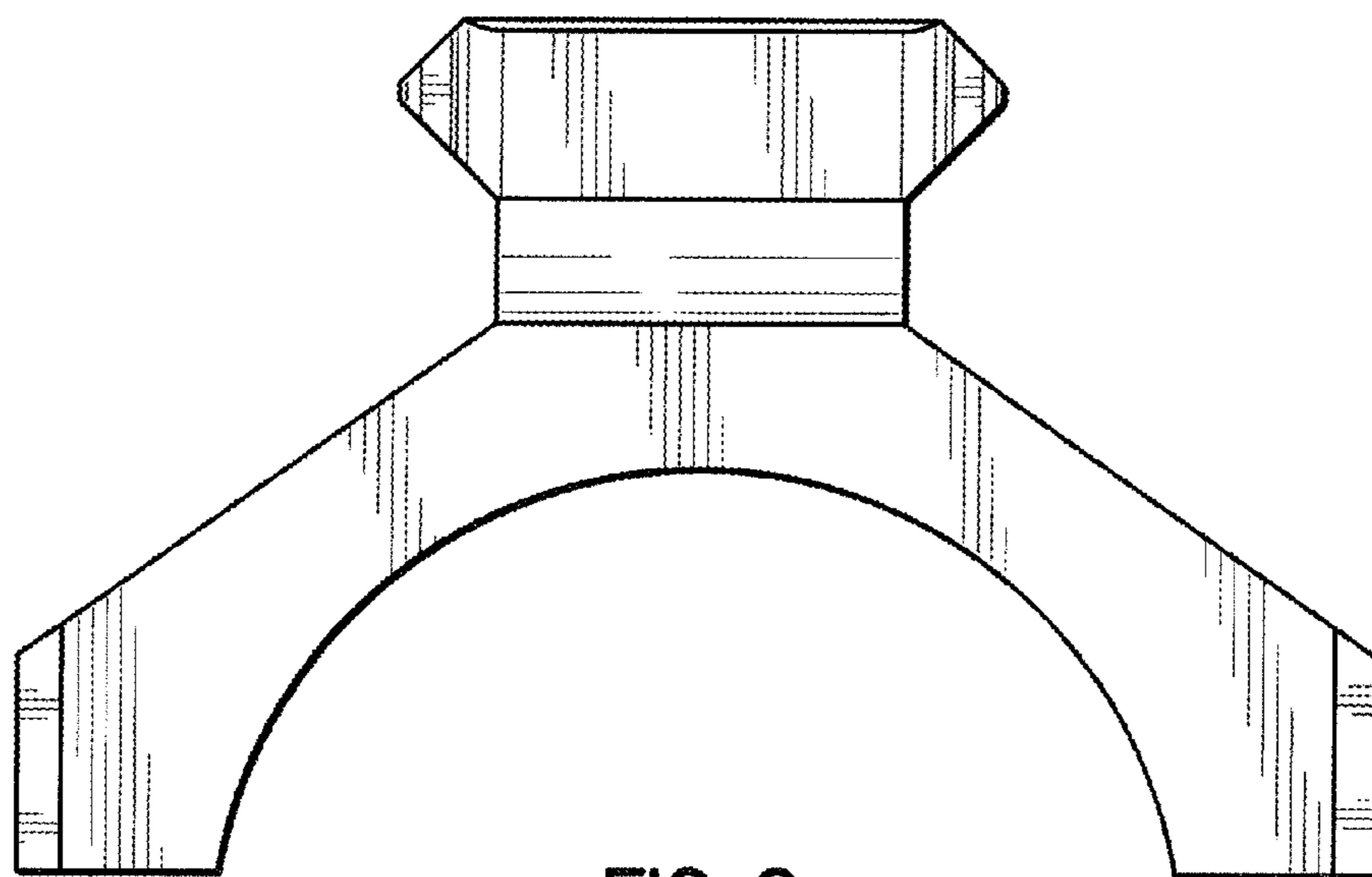


FIG. 2

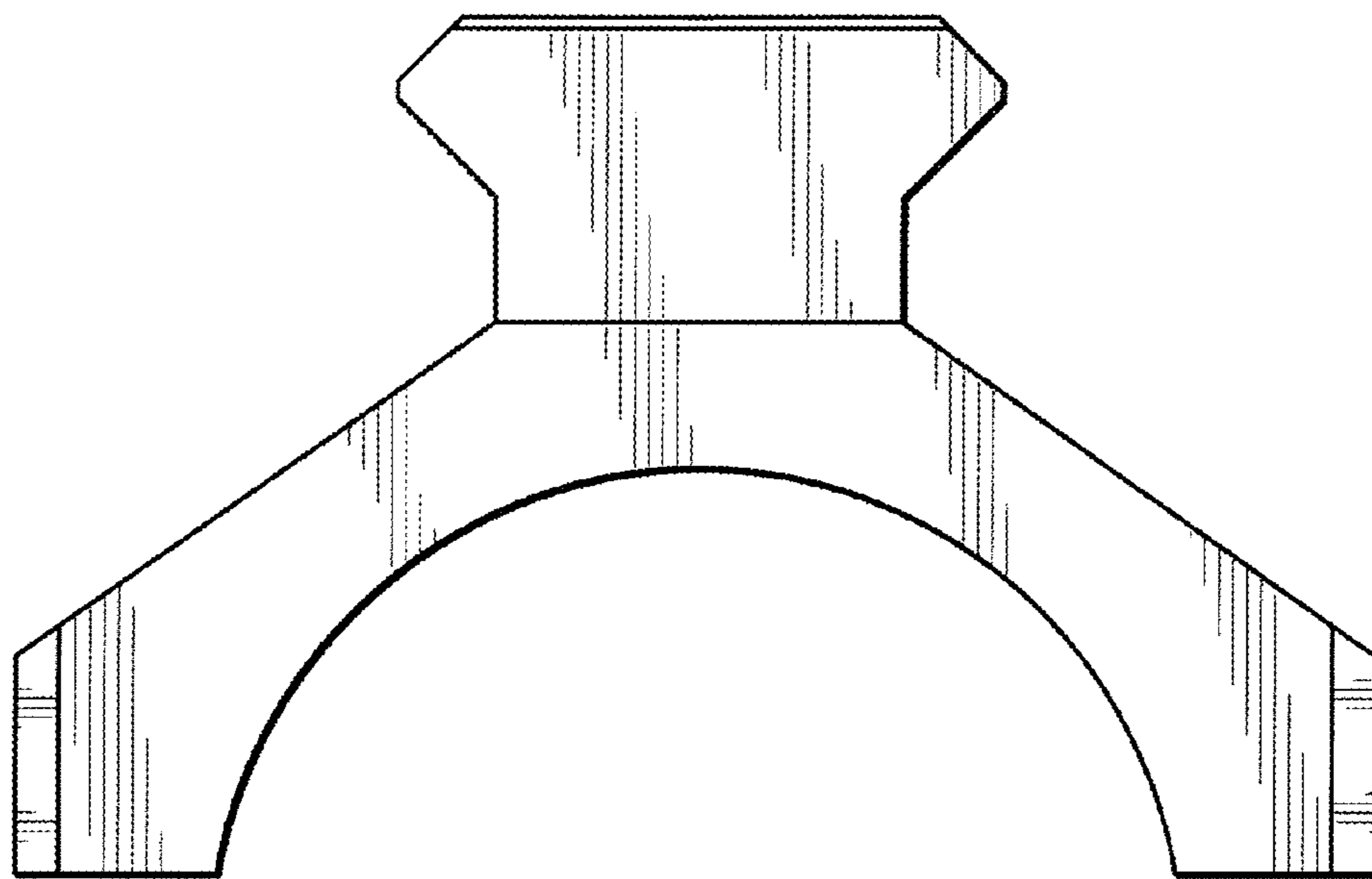


FIG. 3

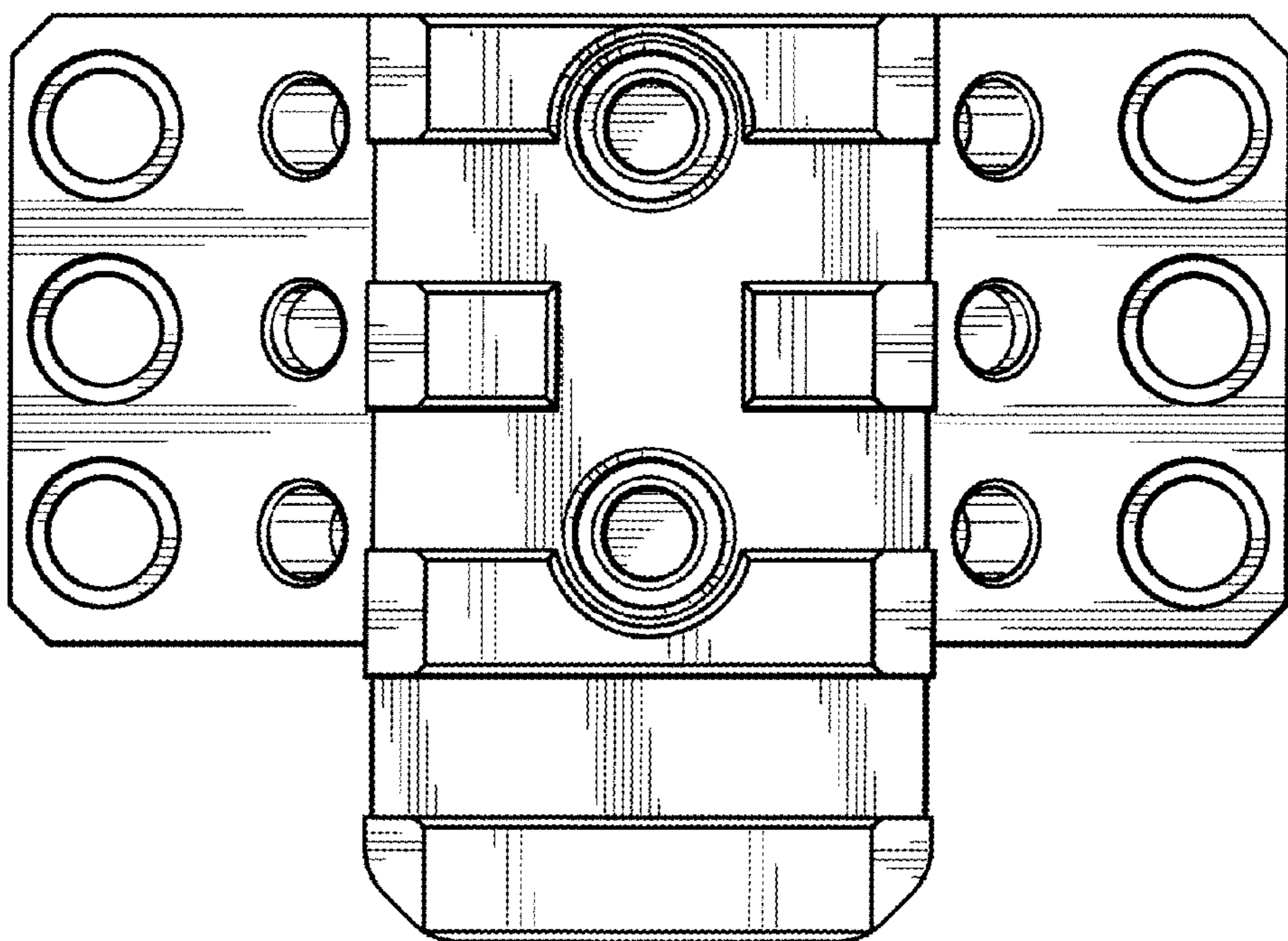


FIG. 4

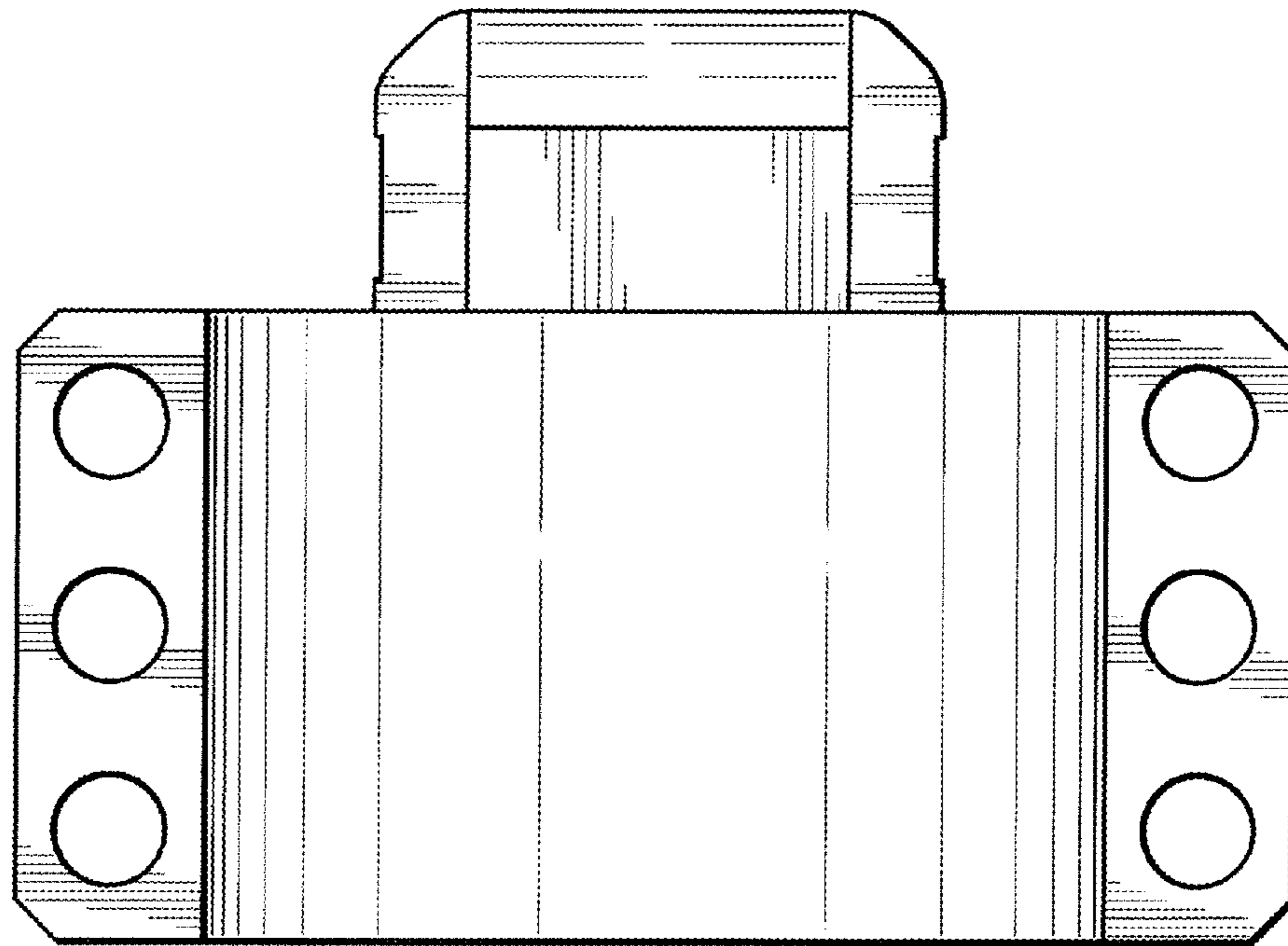


FIG. 5

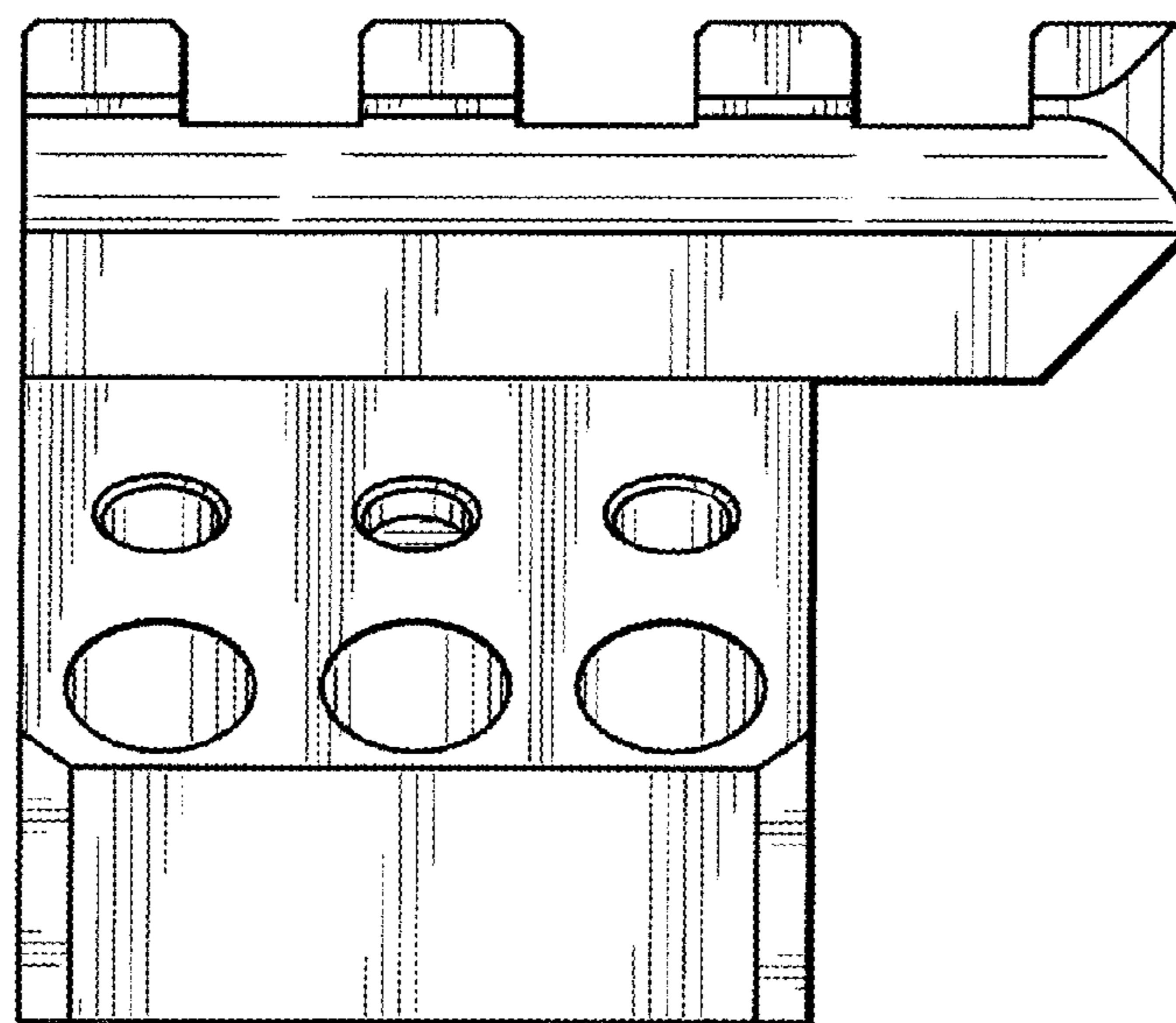


FIG. 6

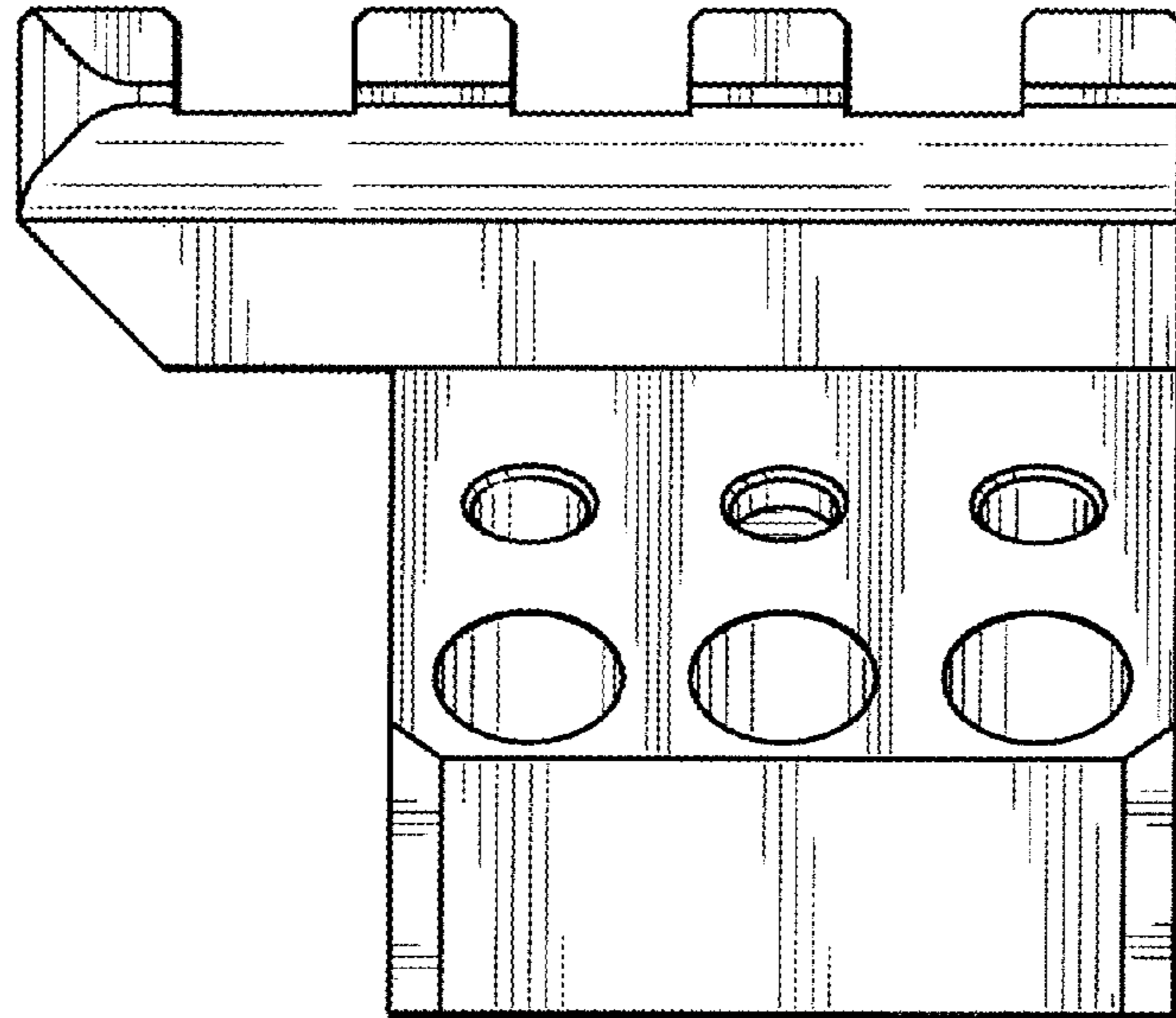


FIG. 7

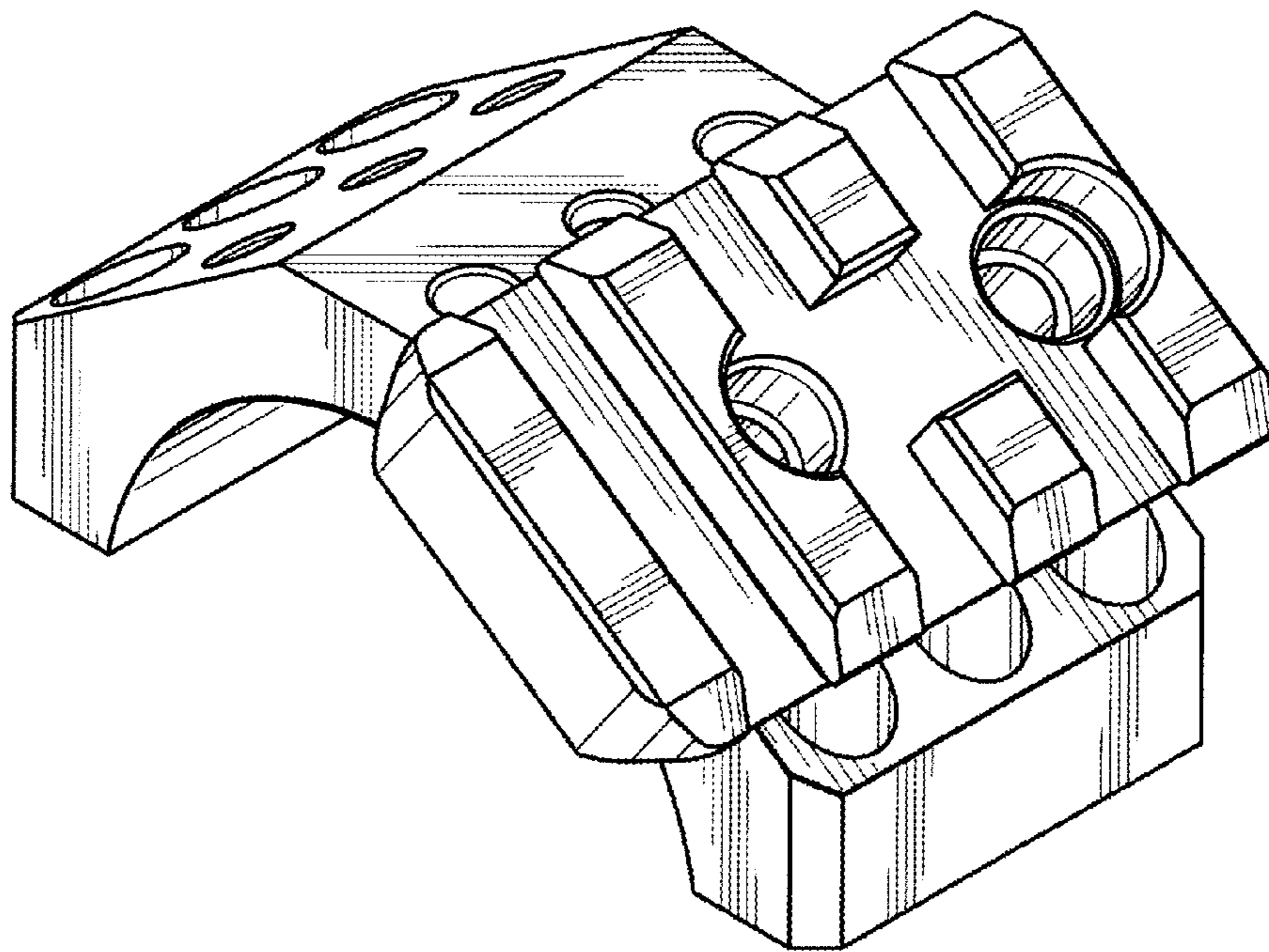


FIG. 8

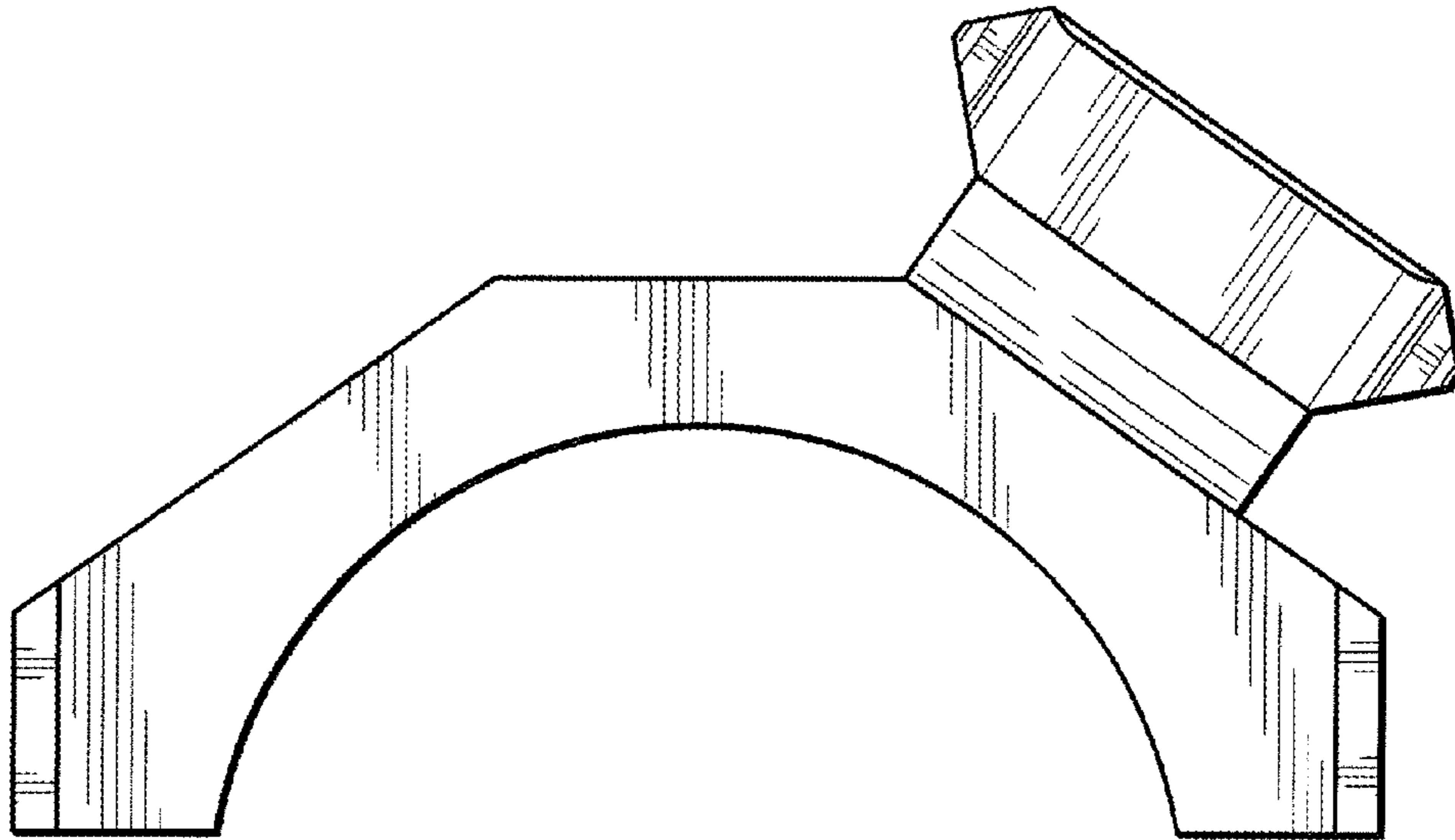


FIG. 9

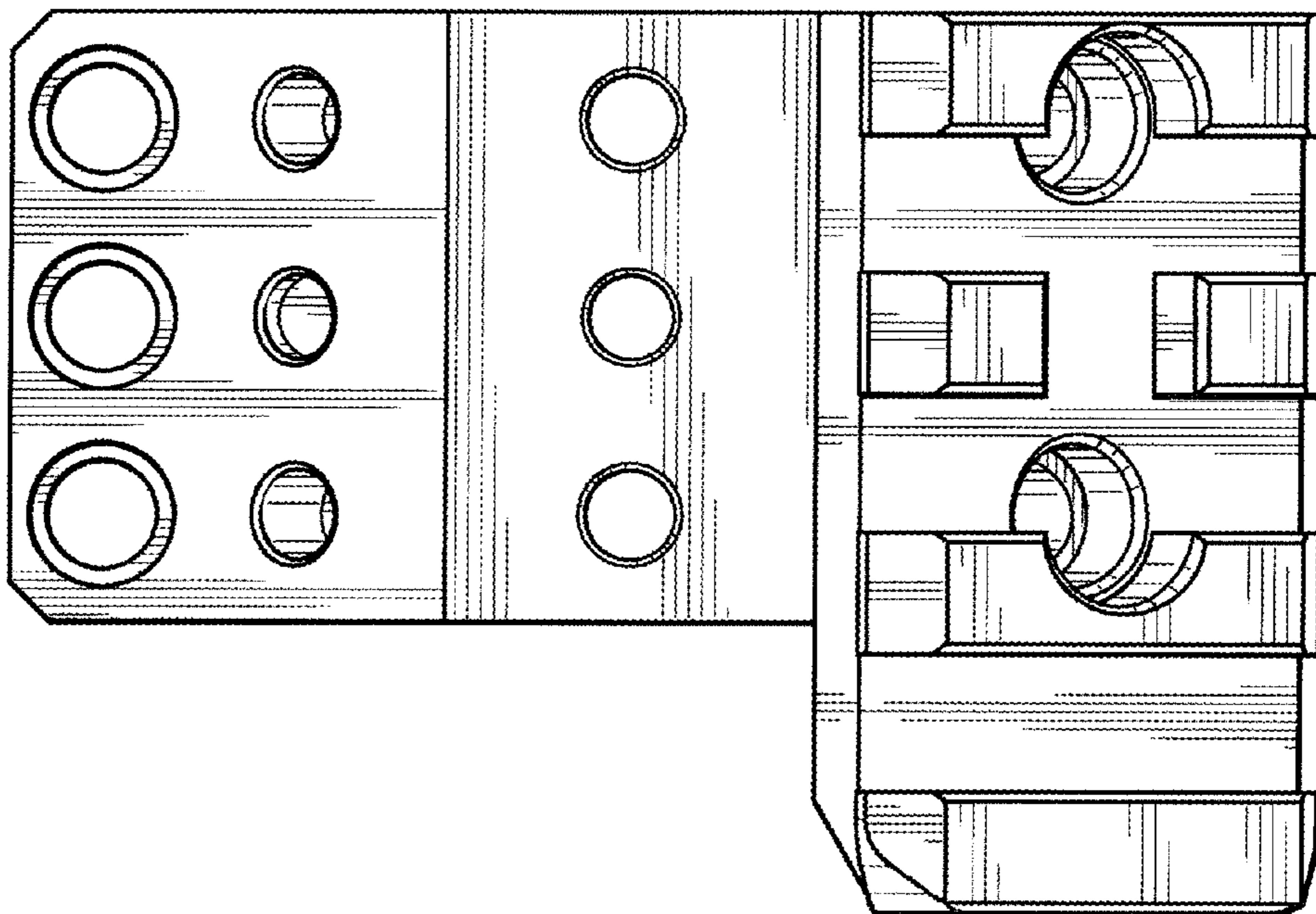


FIG. 10