



US00D768256S

(12) **United States Design Patent** (10) **Patent No.:** **US D768,256 S**
Bentley et al. (45) **Date of Patent:** **** Oct. 4, 2016**

(54) **FIREARM ACCESSORY RAIL**

(71) Applicant: **ADAPTIVE TACTICAL LLC**,
Nampa, ID (US)

(72) Inventors: **James K. Bentley**, Eagle, ID (US);
Grey Oliver Beaudry, Meridian, ID (US)

(73) Assignee: **ADAPTIVE TACTICAL LLC**,
Nampa, ID (US)

(**) Term: **14 Years**

(21) Appl. No.: **29/518,861**

(22) Filed: **Feb. 27, 2015**

(51) **LOC (10) Cl.** **22-01**

(52) **U.S. Cl.**
USPC **D22/108**

(58) **Field of Classification Search**
USPC D22/108
CPC F41A 35/02; F41C 23/16
See application file for complete search history.

(56) **References Cited**

U.S. PATENT DOCUMENTS

7,571,562 B2 * 8/2009 Sutherby F41G 11/003
42/71.01
D654,134 S * 2/2012 Edge D22/108
D705,885 S * 5/2014 Peterson D22/108
D725,223 S * 3/2015 Heidkamp D22/109
D726,864 S * 4/2015 Huang, Sr. D22/108

D737,923 S * 9/2015 Norberg D22/108
2007/0199225 A1 * 8/2007 Haugen F41G 11/003
42/85
2014/0047754 A1 * 2/2014 Compton F41C 27/00
42/84

* cited by examiner

Primary Examiner — Michael A Pratt

(74) *Attorney, Agent, or Firm* — Parsons Behle & Latimer

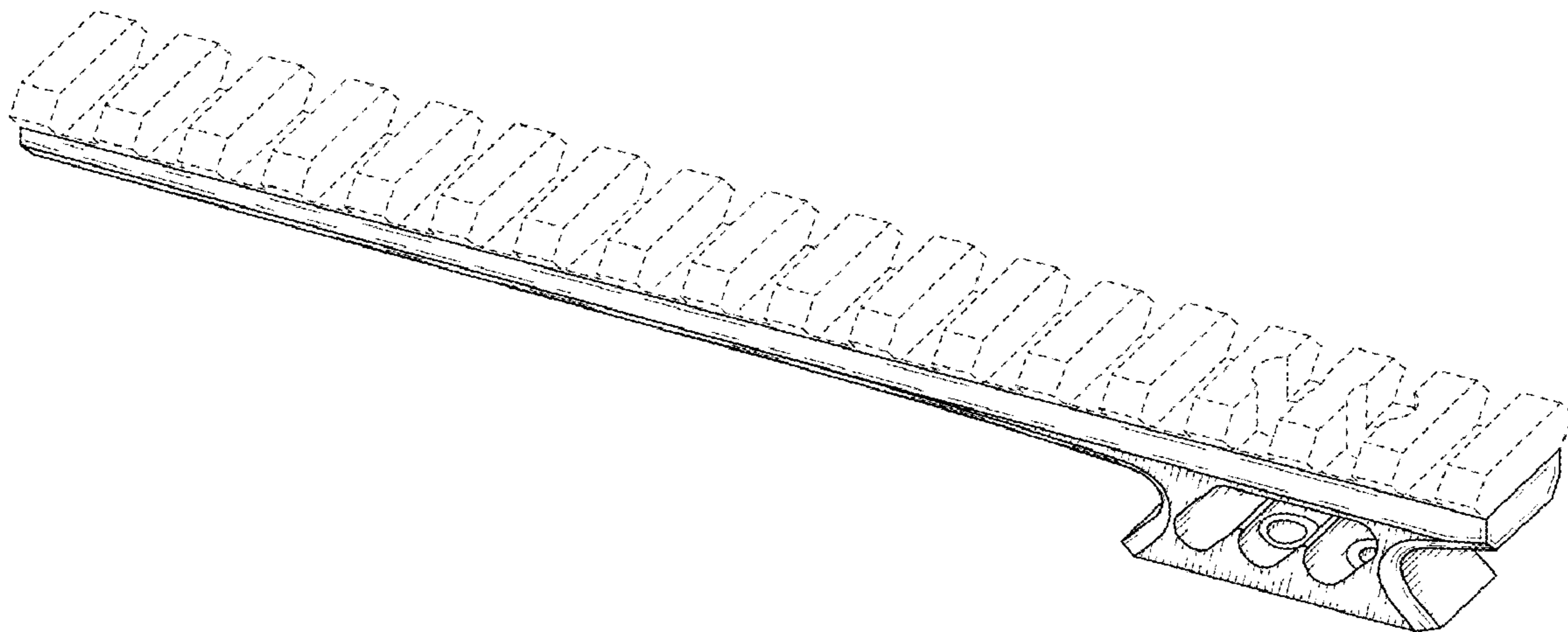
(57) **CLAIM**

The ornamental design for a firearm accessory rail, as shown and described.

DESCRIPTION

FIG. 1 is a perspective view of the firearm accessory rail of the present invention.
FIG. 2 is a bottom view of the firearm accessory rail of FIG. 1.
FIG. 3 is a top view of the firearm accessory rail of FIG. 1.
FIG. 4 is a right side view of the firearm accessory rail of FIG. 1.
FIG. 5 is a left side view of the firearm accessory rail of FIG. 1.
FIG. 6 is a front view of the firearm accessory rail of FIG. 1; and,
FIG. 7 is a rear view of the firearm accessory rail of FIG. 1.
The broken lines showing of portions of the firearm accessory rail form no part of the claimed design.

1 Claim, 2 Drawing Sheets



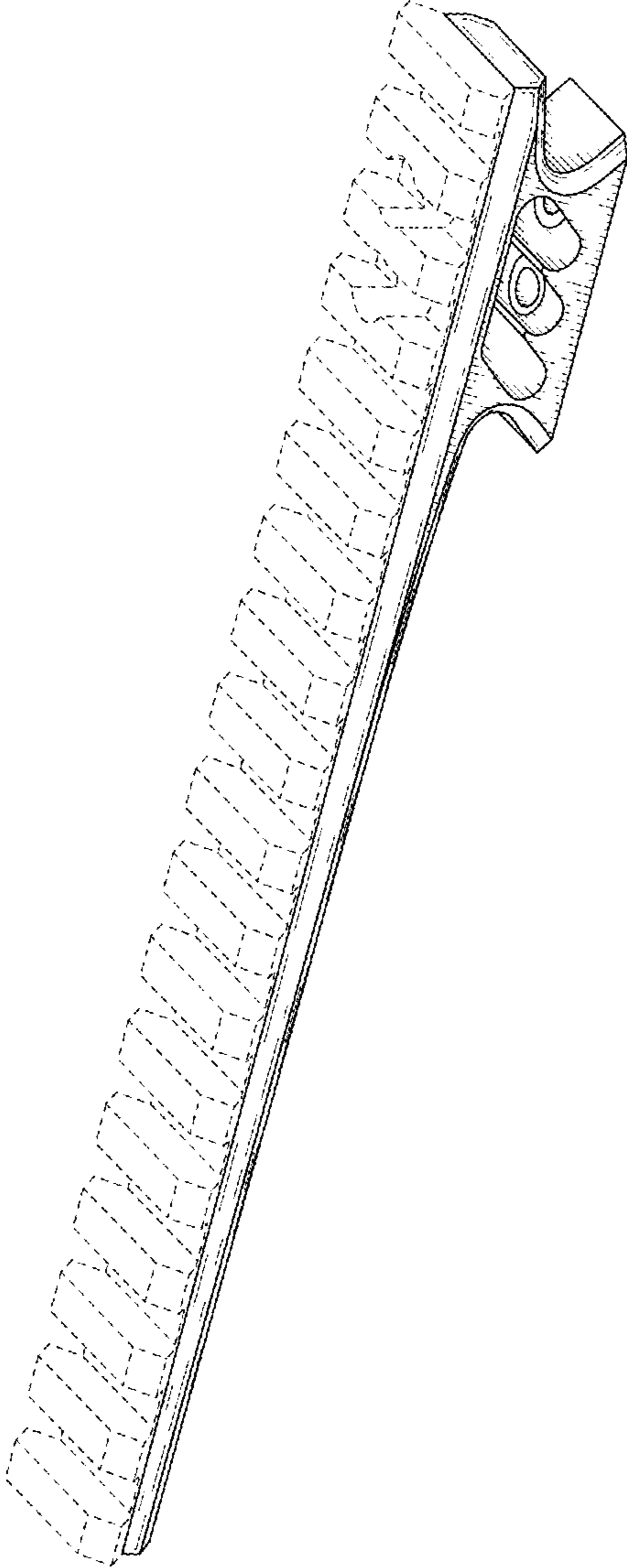


FIG. 1

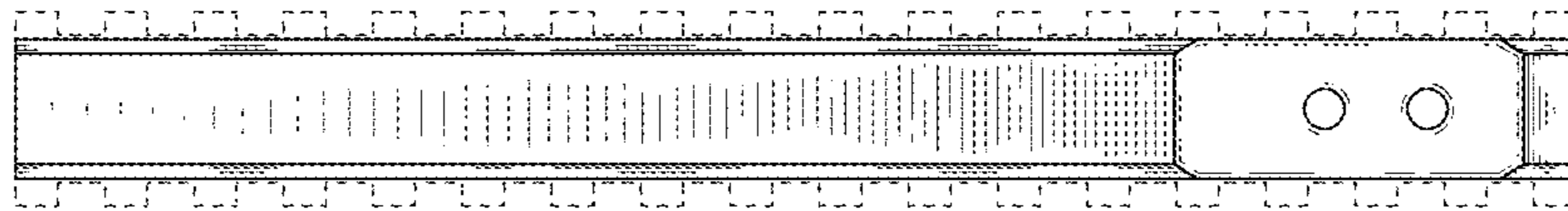


FIG. 2

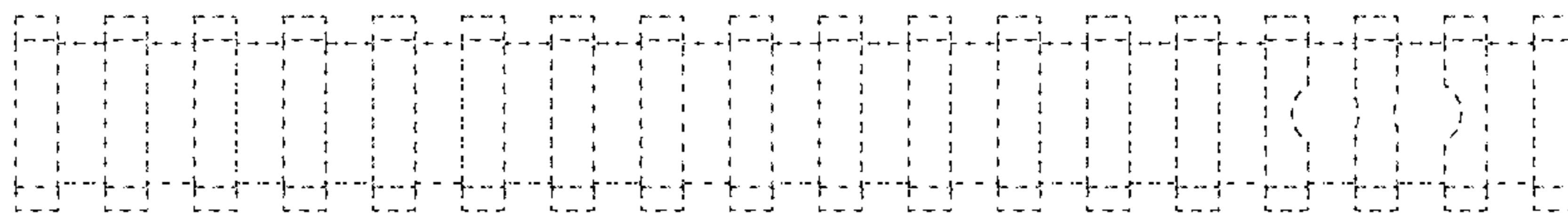


FIG. 3



FIG. 4

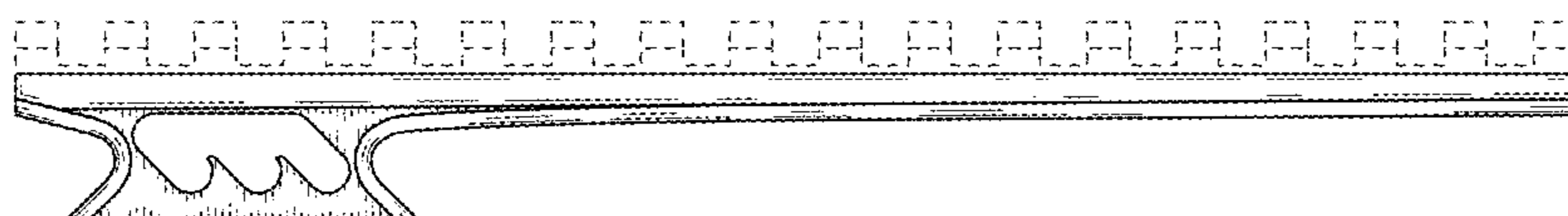


FIG. 5

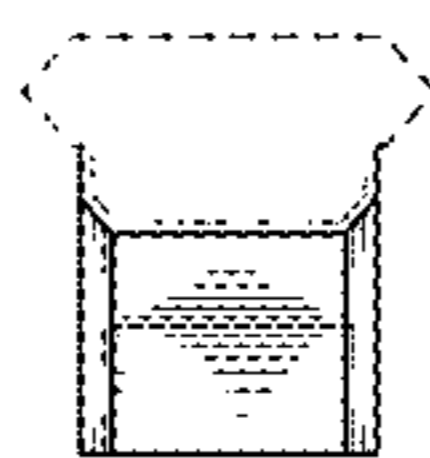


FIG. 6

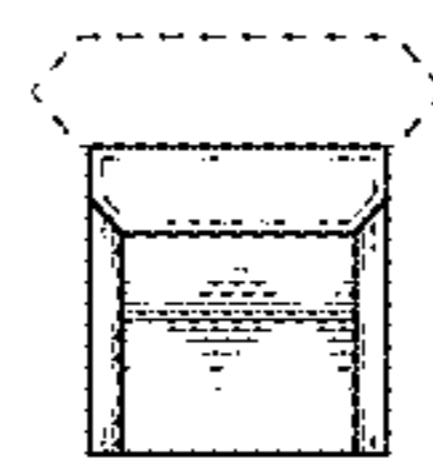


FIG. 7