



US00D768253S

(12) **United States Design Patent** (10) **Patent No.:** **US D768,253 S**
Bender (45) **Date of Patent:** **** Oct. 4, 2016**

(54) **FIRE CONTROL HOUSING** 2013/0227869 A1* 9/2013 Thordsen F41C 27/00
42/6
(71) Applicant: **Terrence Dwight Bender**, Minneapolis, MN (US) 2014/0230298 A1 8/2014 King, Jr.
2014/0237878 A1 8/2014 Lambert
2015/0000171 A1* 1/2015 Roberts F41A 3/66
42/75.03
(72) Inventor: **Terrence Dwight Bender**, Minneapolis, MN (US) 2015/0013201 A1* 1/2015 Hannan F41A 33/00
42/20
2015/0052793 A1* 2/2015 Cassady F41A 9/61
42/8
(73) Assignee: **In Ovation LLC**, Vadnais Heights, MN (US) 2015/0153125 A1* 6/2015 Lutton F41A 17/46
42/69.01
2015/0323273 A1* 11/2015 McGinty F41A 3/26
42/25
(**) Term: **14 Years** 2016/0018181 A1* 1/2016 Swadener et al. F41A 3/72
42/90
(21) Appl. No.: **29/510,365**

(22) Filed: **Nov. 26, 2014**
(51) **LOC (10) Cl.** **22-01**
(52) **U.S. Cl.**
USPC **D22/108**
(58) **Field of Classification Search**
USPC D22/108
CPC F41C 23/10; F41C 23/14; F41C 23/16;
F41C 23/18; F41C 23/00; F41C 27/00;
F41C 27/06; F41A 5/18; F41A 5/24; F41A
21/28
See application file for complete search history.

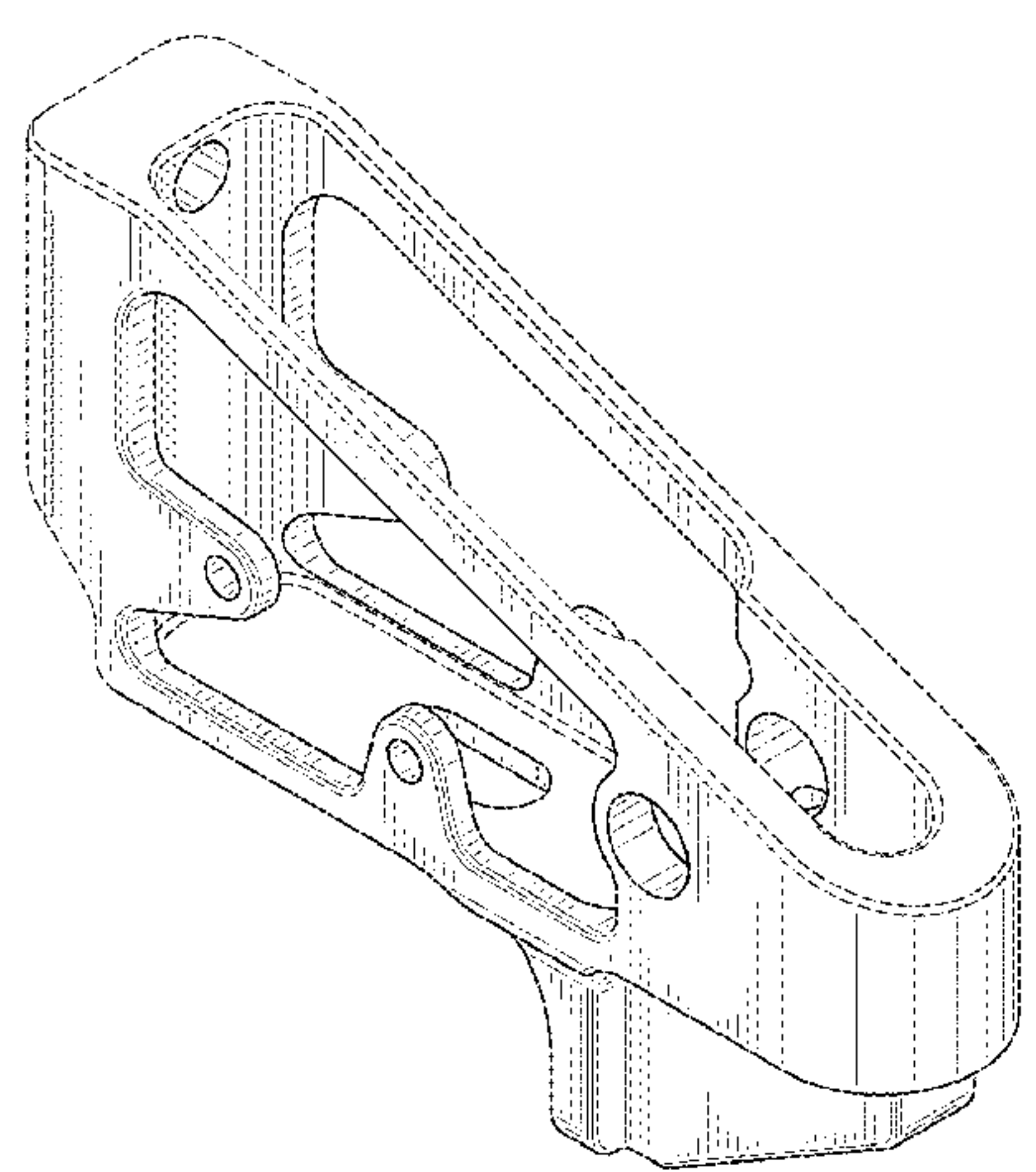
(56) **References Cited**
U.S. PATENT DOCUMENTS
2,568,198 A * 9/1951 Loomis F41A 17/38
89/140
5,697,178 A * 12/1997 Haskell F41A 17/58
42/70.04
6,722,072 B1* 4/2004 McCormick F41A 19/10
42/69.03
8,789,305 B1 7/2014 DiChario
9,121,652 B1* 9/2015 Mangiameli F41A 9/64
2005/0183310 A1* 8/2005 Finn F41A 17/38
42/49.01
2005/0183311 A1* 8/2005 Diaz F41A 19/16
42/69.01
2010/0236394 A1* 9/2010 Gomez F41A 17/42
89/138
2012/0297656 A1* 11/2012 Langevin F41A 3/66
42/16

OTHER PUBLICATIONS
Hipertouch® AR15 Demo for Dealers and Customers; <http://www.hiperfire.com/hipertouch-demo.html>; Mar. 20, 2015.
* cited by examiner
Primary Examiner — Michael A Pratt
(74) *Attorney, Agent, or Firm* — Vidas, Arrett & Steinkraus

(57) **CLAIM**
The ornamental design for a fire control housing, as shown and described.

DESCRIPTION
FIG. 1 is a rear angled isometric view of the fire control housing;
FIG. 2 is a left side view of the of the fire control housing;
FIG. 3 is a right side view of the fire control housing;
FIG. 4 is a front view of the fire control housing;
FIG. 5 is a back view of the fire control housing;
FIG. 6 is a top view of the fire control housing; and,
FIG. 7 is a bottom view of the fire control housing.
Broken lines in the Figures show boundaries or environmental structure. The broken lines are not part of the claimed design.

1 Claim, 4 Drawing Sheets



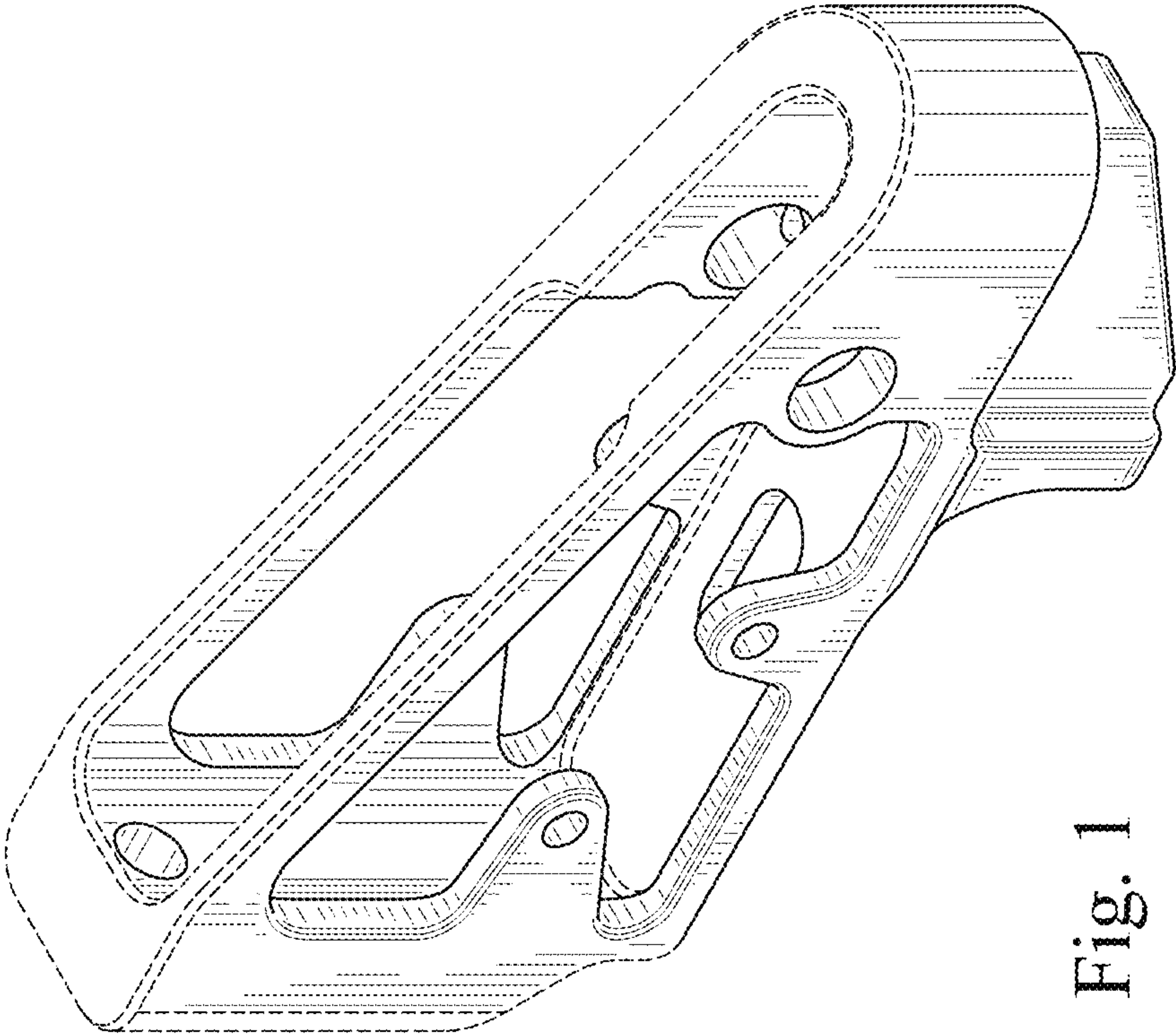


Fig. 1

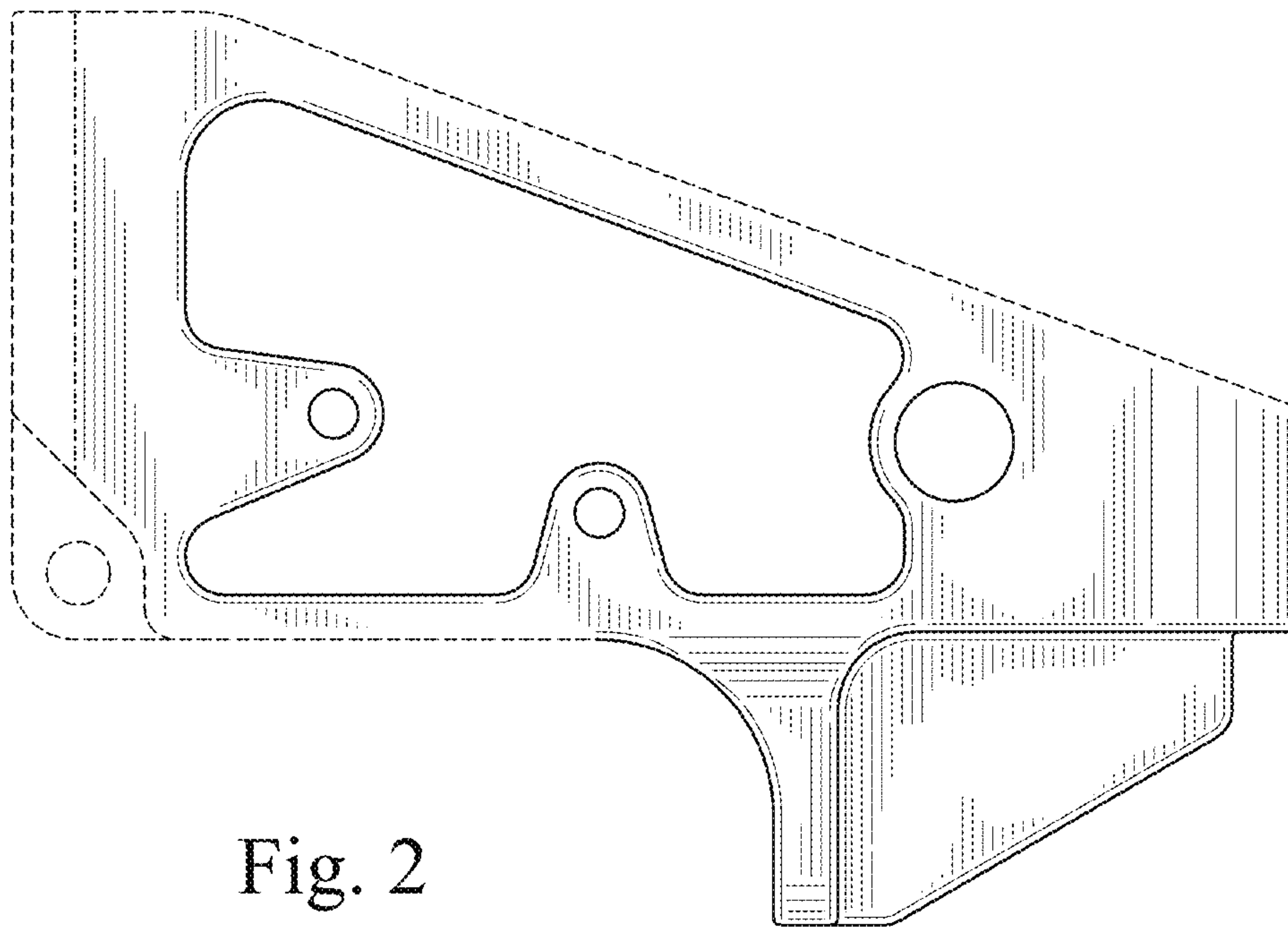


Fig. 2

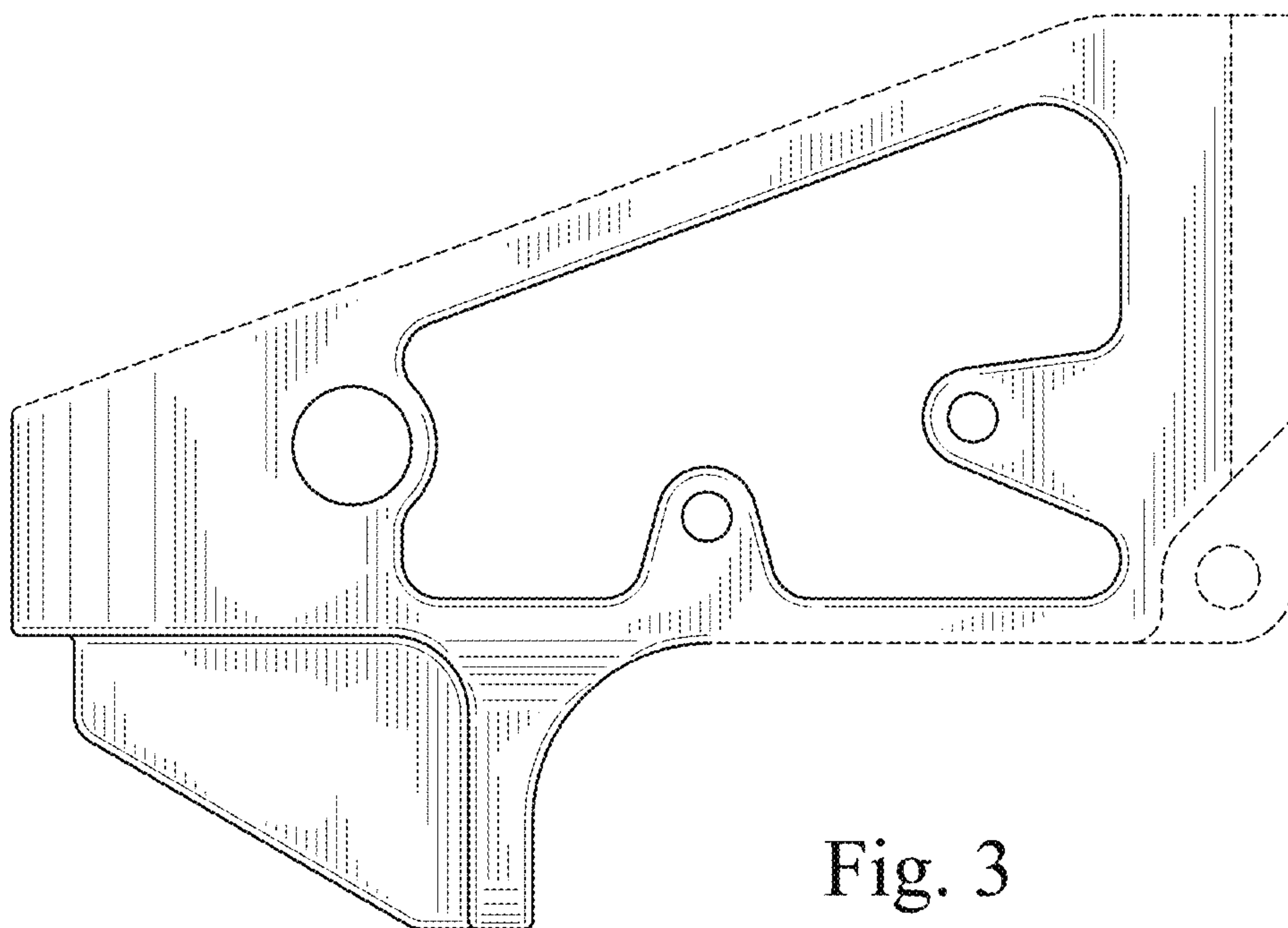


Fig. 3

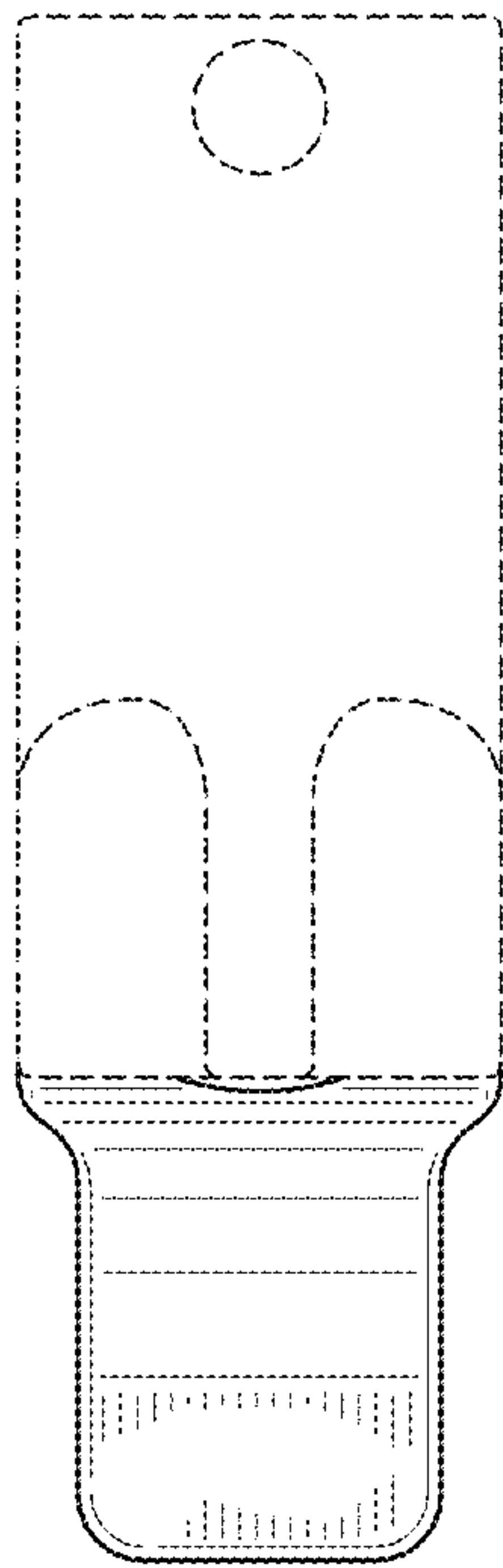


Fig. 4

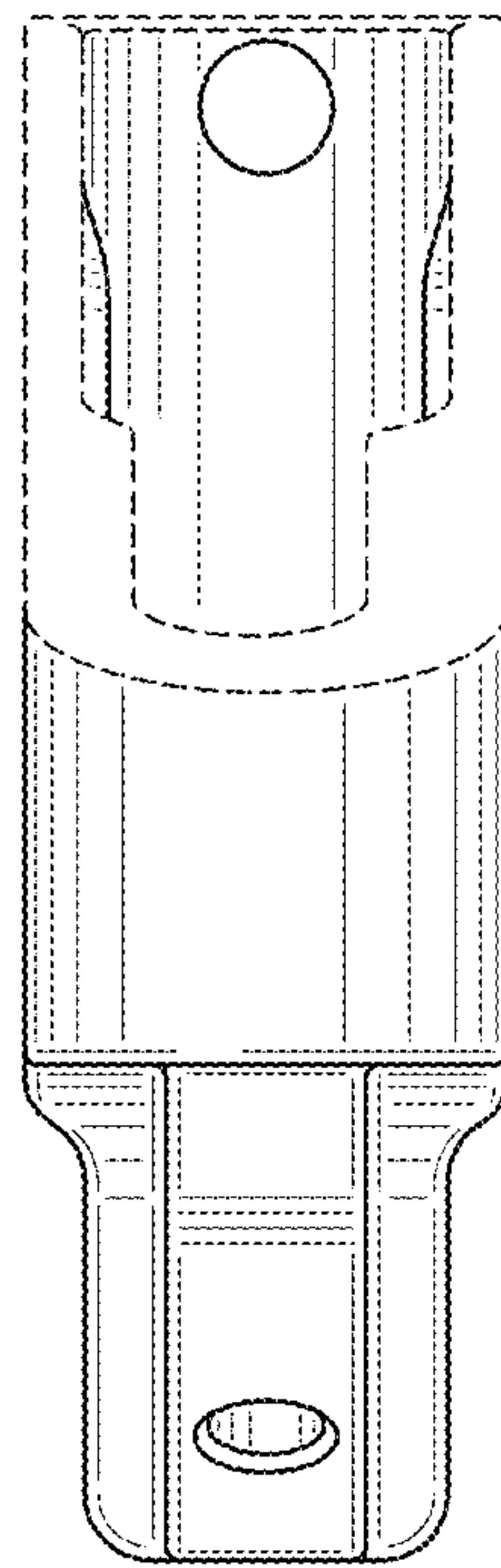


Fig. 5

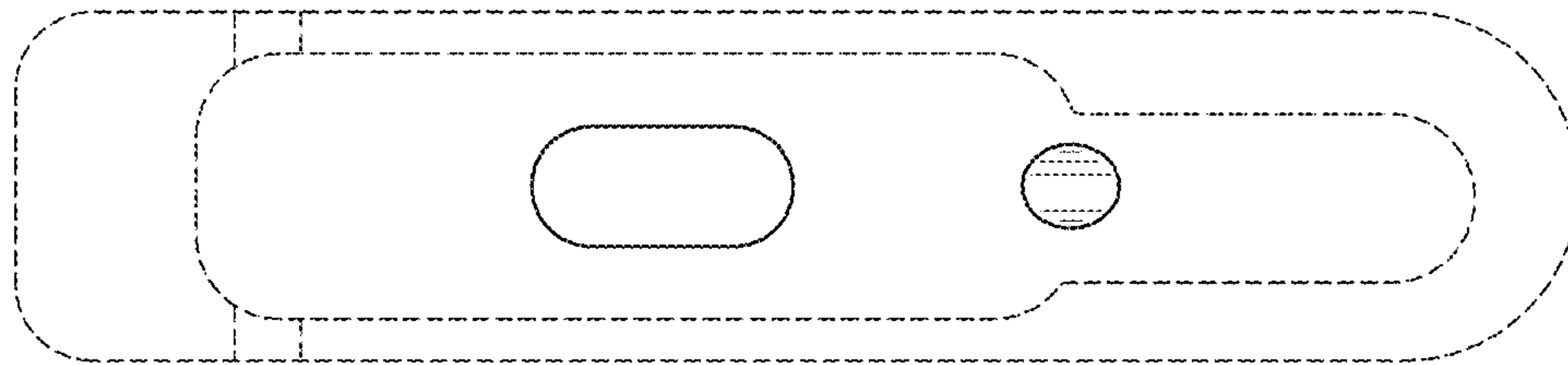


Fig. 6

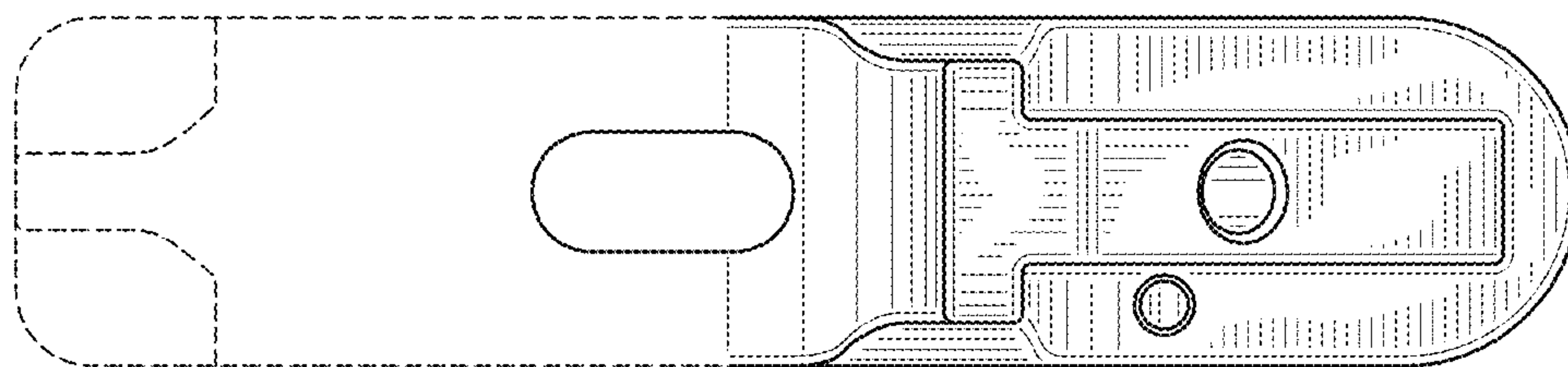


Fig. 7