



US00D768252S

(12) **United States Design Patent** (10) **Patent No.:** **US D768,252 S**
Bigler (45) **Date of Patent:** **** Oct. 4, 2016**

(54) **PITCH-PROPELLED VEHICLE**
(71) Applicant: **Equalia LLC**, Mountain View, CA (US)
(72) Inventor: **Robert A. Bigler**, Cupertino, CA (US)
(73) Assignee: **EQUALIA LLC**, Mountain View, CA (US)
(**) Term: **15 Years**
(21) Appl. No.: **29/555,955**
(22) Filed: **Feb. 25, 2016**
(51) **LOC (10) Cl.** **21-02**
(52) **U.S. Cl.**
USPC **D21/765; D21/760**
(58) **Field of Classification Search**
USPC D21/419, 421, 423, 426, 662, 760, 765, D21/766, 769, 771, 776, 803; D12/1; 280/7.14, 11.115, 11.19, 11.27, 11.28, 280/14.21, 79.11, 79.2, 87.01, 87.021, 280/87.03, 87.041, 87.042, 607, 608, 609, 280/809; 180/180, 181; 434/247, 253, 258; D34/23, 28
CPC .. A63C 17/01; A63C 17/011; A63C 17/012; A63C 17/014; A63C 17/015; A63C 17/02; A63C 17/26; A63C 5/003; B60Q 1/326; B62K 3/001
See application file for complete search history.

5,839,737 A 11/1998 Kruczek
5,971,091 A 10/1999 Kamen et al.
6,017,297 A 1/2000 Collins
6,050,357 A 4/2000 Staelin et al.
6,302,230 B1 10/2001 Kamen et al.
6,311,795 B1 11/2001 Skotnikov et al.
6,367,817 B1 4/2002 Kamen et al.
6,408,240 B1 6/2002 Morrell et al.
6,581,714 B1 6/2003 Kamen et al.
6,651,763 B1 11/2003 Kamen et al.
6,651,766 B2 11/2003 Kamen et al.
6,796,394 B1 9/2004 Lin
6,796,396 B2 9/2004 Kamen et al.
6,827,163 B2 12/2004 Amsbury et al.
6,848,527 B2 2/2005 Nelson
6,866,107 B2 3/2005 Heinzmann et al.
6,874,591 B2 4/2005 Morrell et al.
D505,468 S 5/2005 Mejia
D505,469 S 5/2005 Joung et al.
7,172,044 B2 2/2007 Bouvet

(Continued)

FOREIGN PATENT DOCUMENTS

WO 2012113011 A1 8/2012

Primary Examiner — Cynthia M Chin

(74) *Attorney, Agent, or Firm* — Haverstock & Owens LLP

(57) **CLAIM**

I claim the ornamental design for a pitch-propelled vehicle, as shown and described.

DESCRIPTION

FIG. 1 illustrates a top perspective view of a pitch propelled vehicle.

FIG. 2 illustrates a bottom perspective view of a pitch propelled vehicle.

FIG. 3 illustrates a side view of a pitch propelled vehicle.

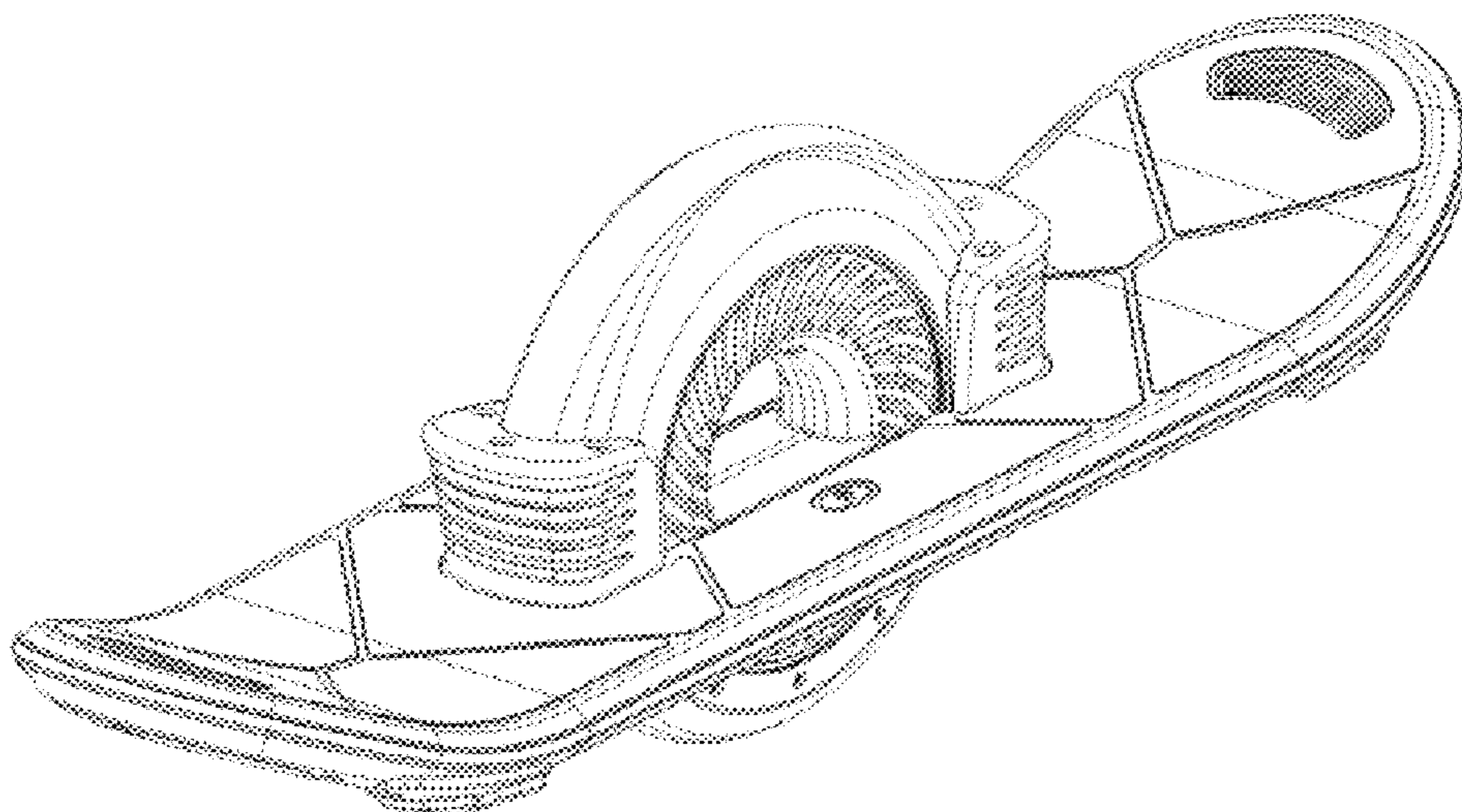
FIG. 4 illustrates a top view of a pitch propelled vehicle; and,

FIG. 5 illustrates a bottom view of a pitch propelled vehicle.

1 Claim, 5 Drawing Sheets

(56) **References Cited**
U.S. PATENT DOCUMENTS

3,512,798 A 5/1970 Siegel
4,073,356 A 2/1978 Schlicht
4,106,786 A 8/1978 Talbott
4,795,181 A 1/1989 Armstrong
D355,945 S 2/1995 Homma
5,701,965 A 12/1997 Kamen et al.
5,791,425 A 8/1998 Kamen et al.



(56)

References Cited

U.S. PATENT DOCUMENTS

7,370,713 B1	5/2008	Kamen	D704,786 S	5/2014	Tang
D580,132 S	11/2008	Lin	8,731,865 B2	5/2014	Vock et al.
7,467,681 B2	12/2008	Hiramatsu	D709,154 S	7/2014	Brotherson
7,479,097 B2	1/2009	Rosborough et al.	9,101,817 B2 *	8/2015	Doerksen A63C 17/12
7,481,291 B2	1/2009	Nishikawa	9,211,470 B2	12/2015	Bigler
7,739,076 B1	6/2010	Vock et al.	D746,928 S *	1/2016	Doerksen D21/765
7,811,217 B2	10/2010	Odien	2004/0065494 A1	4/2004	Nelson
7,840,378 B2	11/2010	Vock et al.	2006/0012141 A1	1/2006	Bouvet
D647,991 S	11/2011	Sramek	2007/0254789 A1 *	11/2007	Odien A63B 21/0058 482/146
8,170,780 B2	5/2012	Field et al.	2007/0273118 A1	11/2007	Conrad
8,256,545 B2	9/2012	Oikawa	2010/0330876 A1 *	12/2010	Carlson A63H 29/20 446/462
8,467,941 B2	6/2013	Field et al.	2011/0006497 A1	1/2011	Chen et al.
8,469,376 B2	6/2013	Kristiansen	2011/0295454 A1	12/2011	Meyers
8,562,386 B2	10/2013	Carlson et al.	2012/0007331 A1	1/2012	Hsieh
8,616,313 B2	12/2013	Simeray et al.	2012/0187648 A1	7/2012	Chen
			2013/0049317 A1	2/2013	Cheek

* cited by examiner

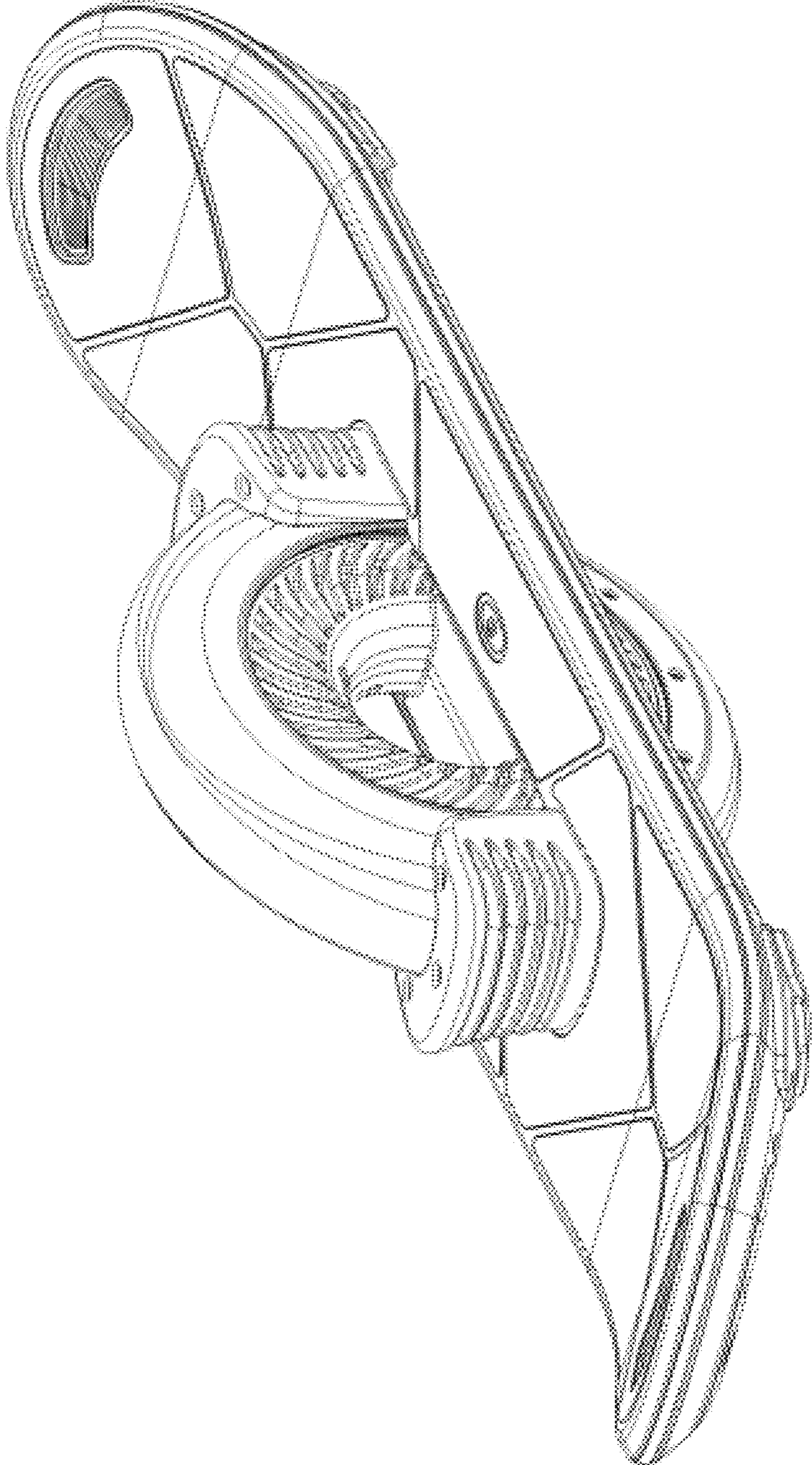


Fig. 1

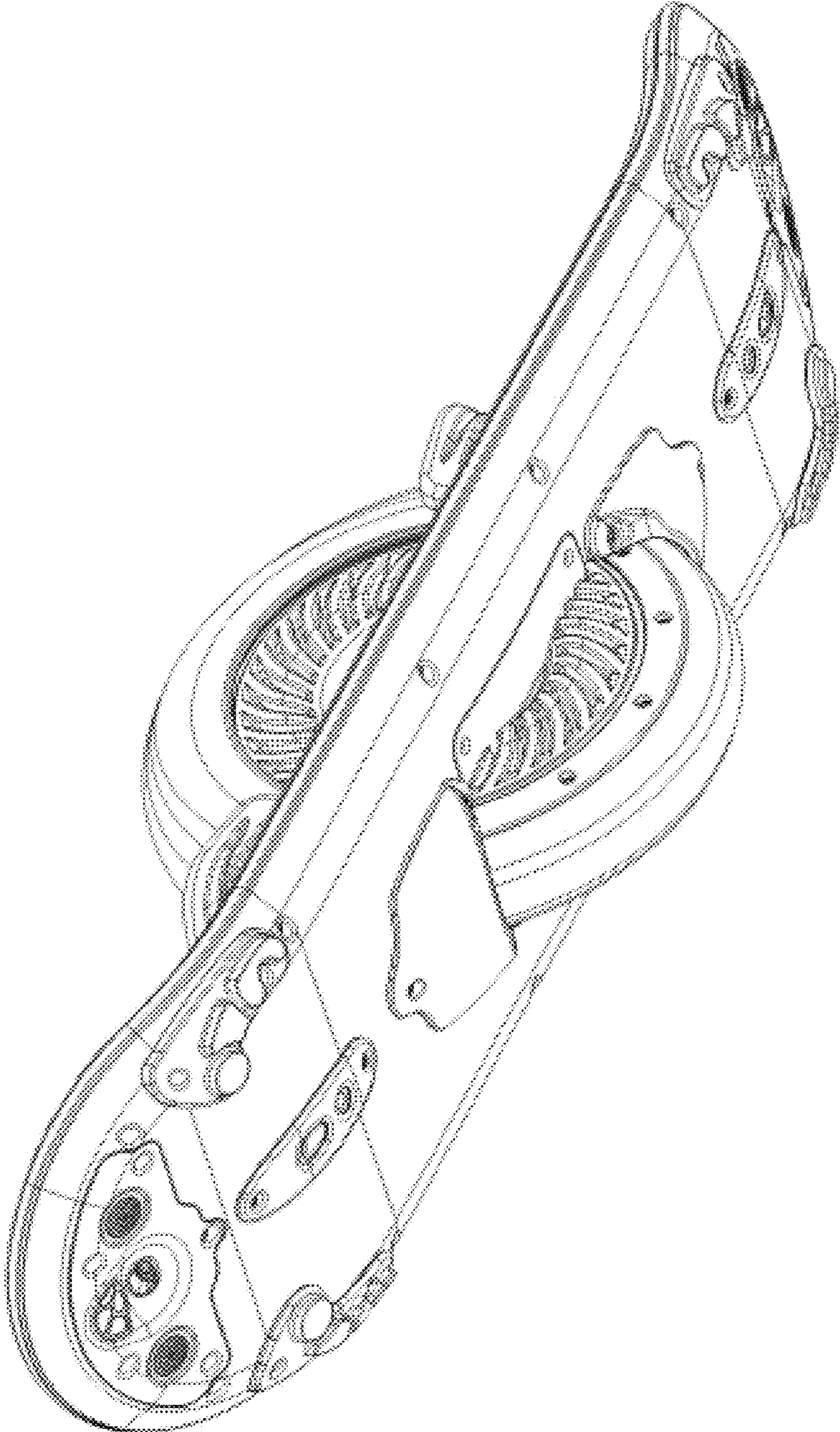


Fig. 2

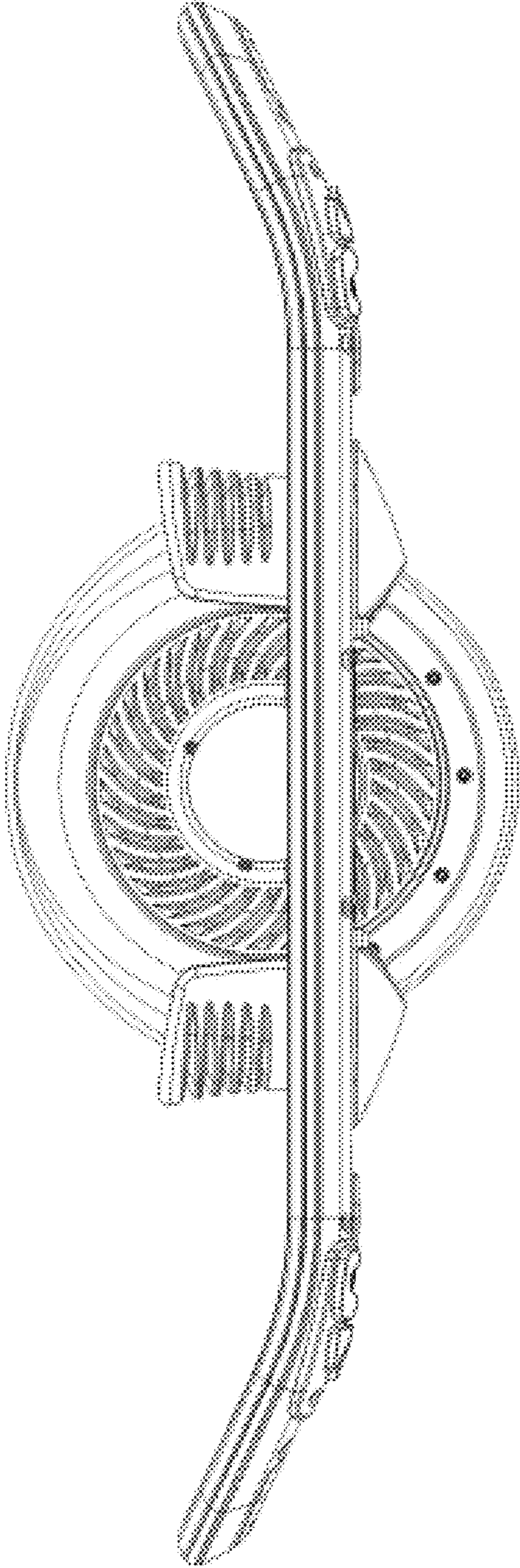


Fig. 3

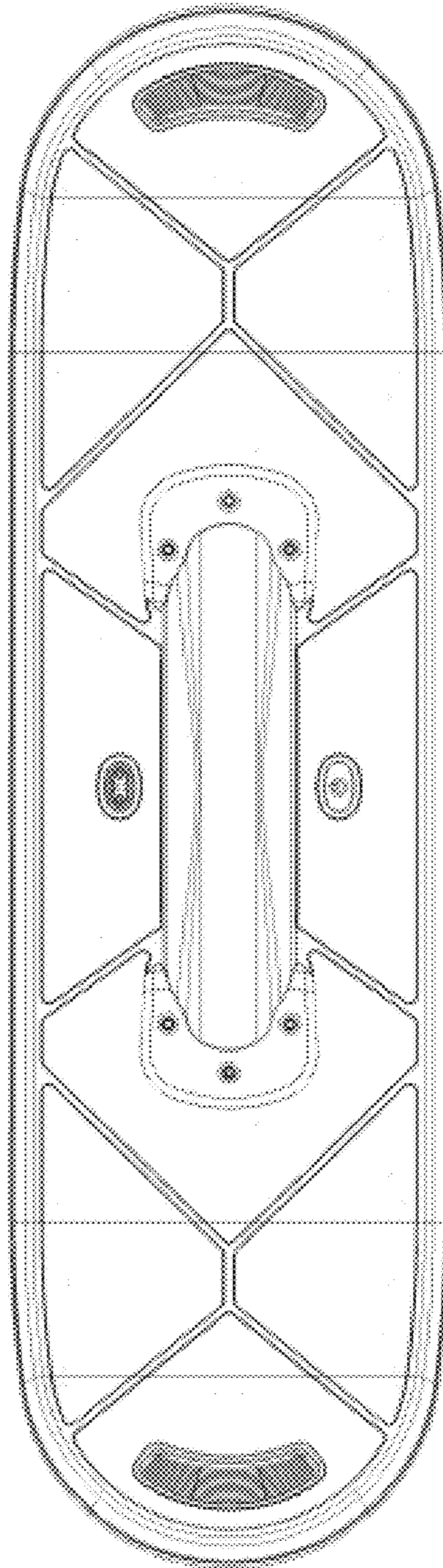


Fig. 4

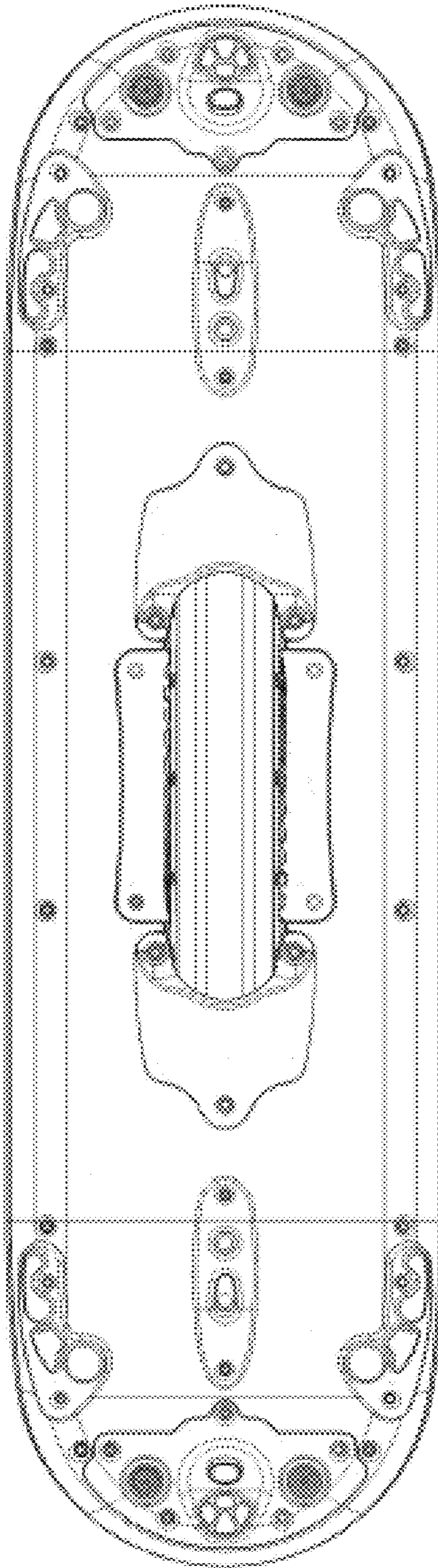


Fig. 5