



US00D768248S

(12) **United States Design Patent** (10) **Patent No.:** **US D768,248 S**
Rollinson (45) **Date of Patent:** **** Oct. 4, 2016**

- (54) **PUTTER HEAD**
- (71) Applicant: **CALLAWAY GOLF COMPANY**,
Carlsbad, CA (US)
- (72) Inventor: **Augustin W. Rollinson**, Carlsbad, CA
(US)
- (73) Assignee: **Callaway Golf Company**, Carlsbad,
CA (US)
- (**) Term: **15 Years**
- (21) Appl. No.: **29/537,675**
- (22) Filed: **Aug. 27, 2015**
- (51) **LOC (10) Cl.** **21-02**
- (52) **U.S. Cl.**
USPC **D21/744**
- (58) **Field of Classification Search**
USPC D21/736-746, 759
CPC A63B 53/00; A63B 53/065; A63B 53/0487;
A63B 53/007; A63B 53/04
See application file for complete search history.

D591,807 S *	5/2009	Rollinson	D21/744
D594,517 S *	6/2009	Tang	D21/736
D594,917 S *	6/2009	Stellander	D21/743
D595,373 S *	6/2009	Kim	D21/744
D604,787 S *	11/2009	Hopkins	D21/736
D619,666 S *	7/2010	DePaul	D21/743
D621,458 S *	8/2010	Serrano	D21/736
D636,829 S *	4/2011	Cardani	D21/759
D657,836 S *	4/2012	Oldknow	D21/759
D658,245 S *	4/2012	Oldknow	D21/736
8,303,434 B1 *	11/2012	DePaul A63B	53/0487
				473/255
D688,341 S *	8/2013	Rollinson	D21/746
D691,226 S *	10/2013	Hilton	D21/746
D699,308 S *	2/2014	Rollinson	D21/736
D715,388 S *	10/2014	Serrano	D21/743
D728,715 S *	5/2015	Cameron	D21/736
D730,464 S *	5/2015	Cameron	D21/743
D731,605 S *	6/2015	Rollinson	D21/736

* cited by examiner

Primary Examiner — Mitchell Siegel

(74) *Attorney, Agent, or Firm* — Rebecca Hanovice;
Michael Catania; Sonia Lari

(57) **CLAIM**

The ornamental design for a putter head, as shown and described.

DESCRIPTION

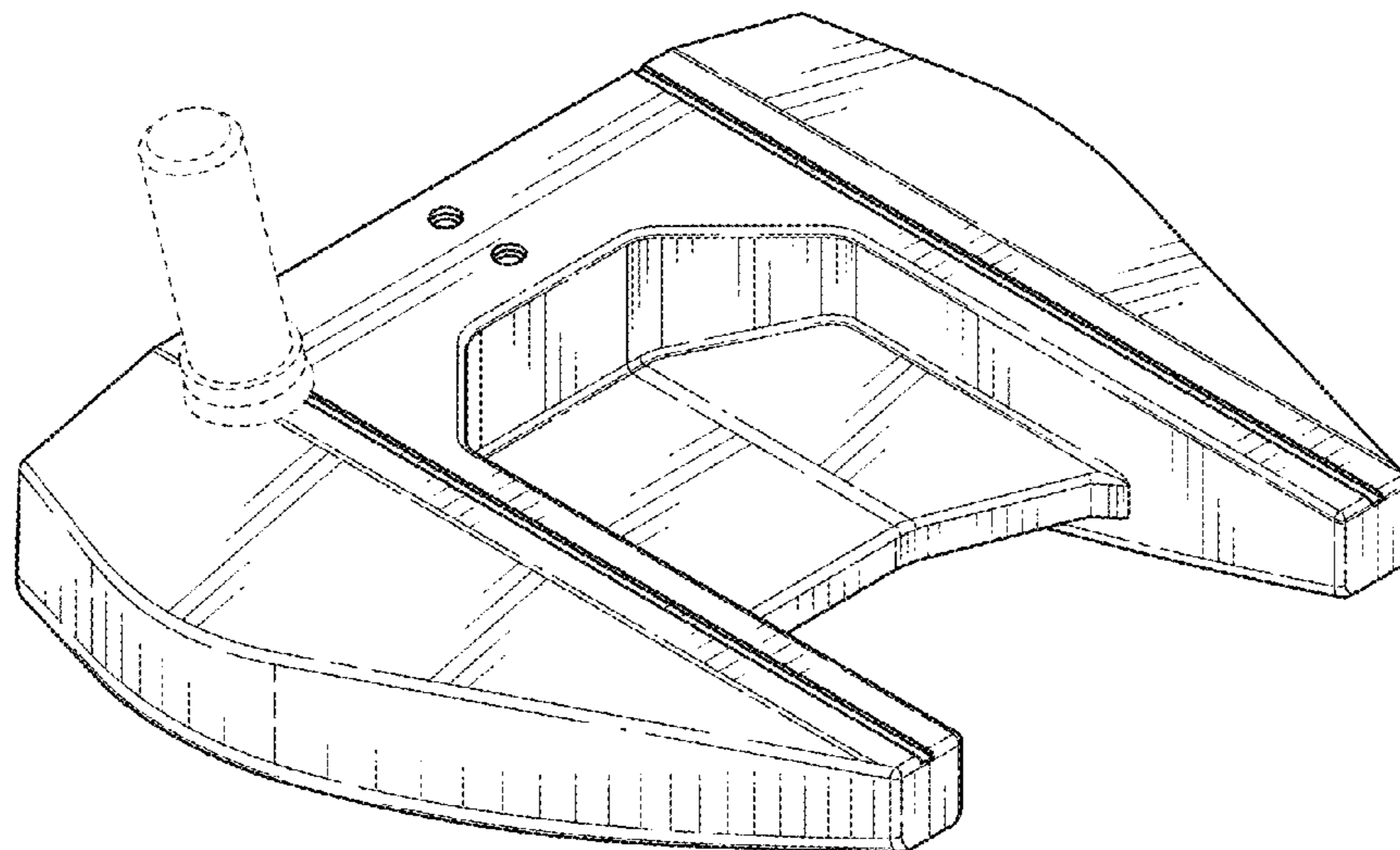
FIG. 1 is a rear perspective view of a the putter head as claimed herein;
 FIG. 2 is a rear elevational view thereof;
 FIG. 3 is a front elevational view thereof;
 FIG. 4 is a right side elevational view thereof;
 FIG. 5 is a left side elevational view thereof;
 FIG. 6 is a top plan view thereof; and,
 FIG. 7 is a bottom plan view thereof.
 The broken lines are included for the purpose of illustration and form no part of the claimed design.

1 Claim, 4 Drawing Sheets

(56) **References Cited**

U.S. PATENT DOCUMENTS

D323,867 S *	2/1992	Rizzotto	D21/740
D350,177 S *	8/1994	Ramirez	D21/745
D532,845 S *	11/2006	Rollinson	D21/736
D543,598 S *	5/2007	Kuan	D21/736
D564,607 S *	3/2008	Oldknow	D21/736
D568,954 S *	5/2008	Oldknow	D21/759
D573,673 S *	7/2008	Noyes	D21/721
D574,908 S *	8/2008	Hettinger	D21/743
D582,497 S *	12/2008	Rollinson	D21/744
D589,575 S *	3/2009	Kim	D21/744
D590,035 S *	4/2009	Hilton	D21/744
D590,461 S *	4/2009	Kim	D21/743
D591,372 S *	4/2009	Tang	D21/743



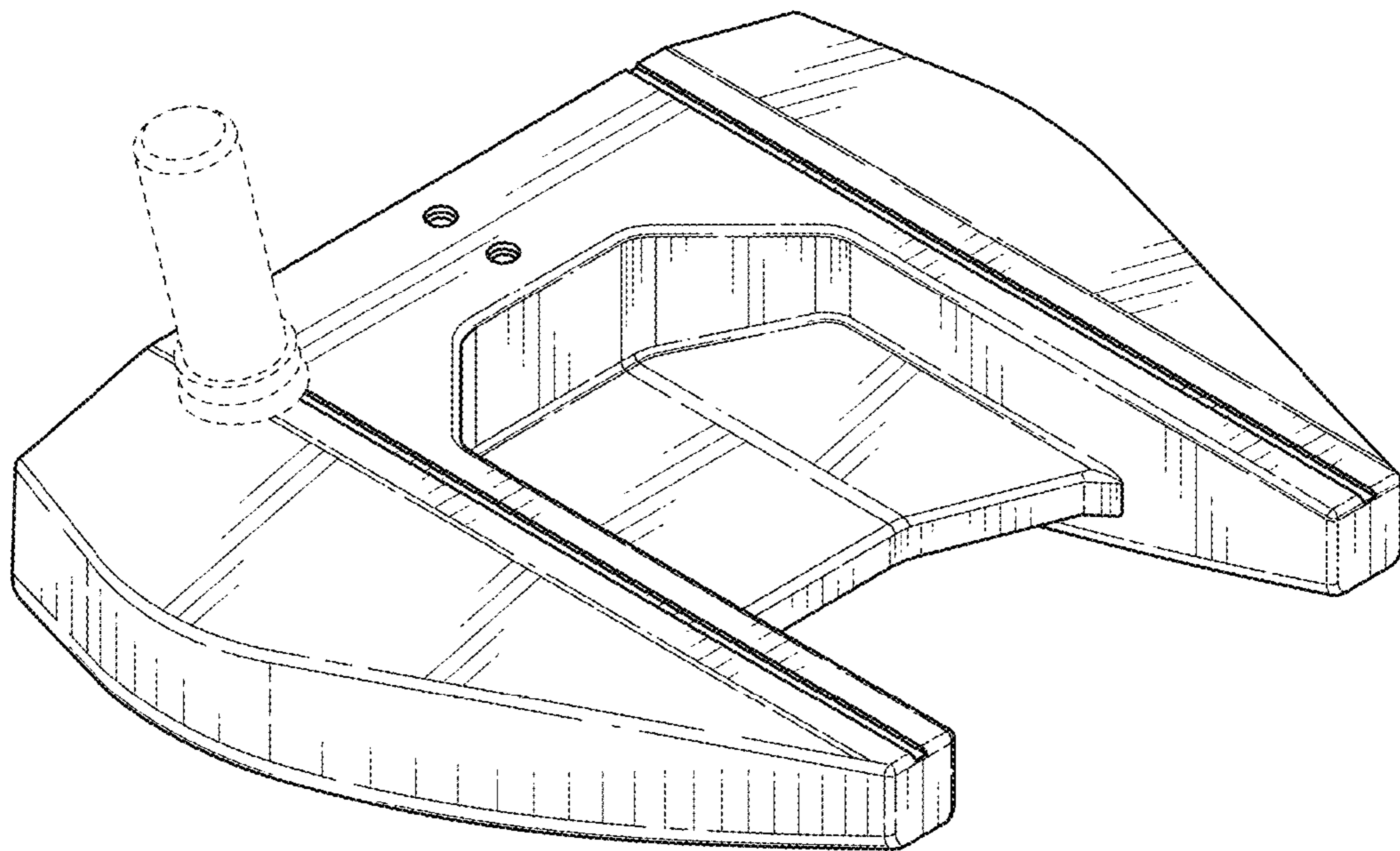


FIG. 1

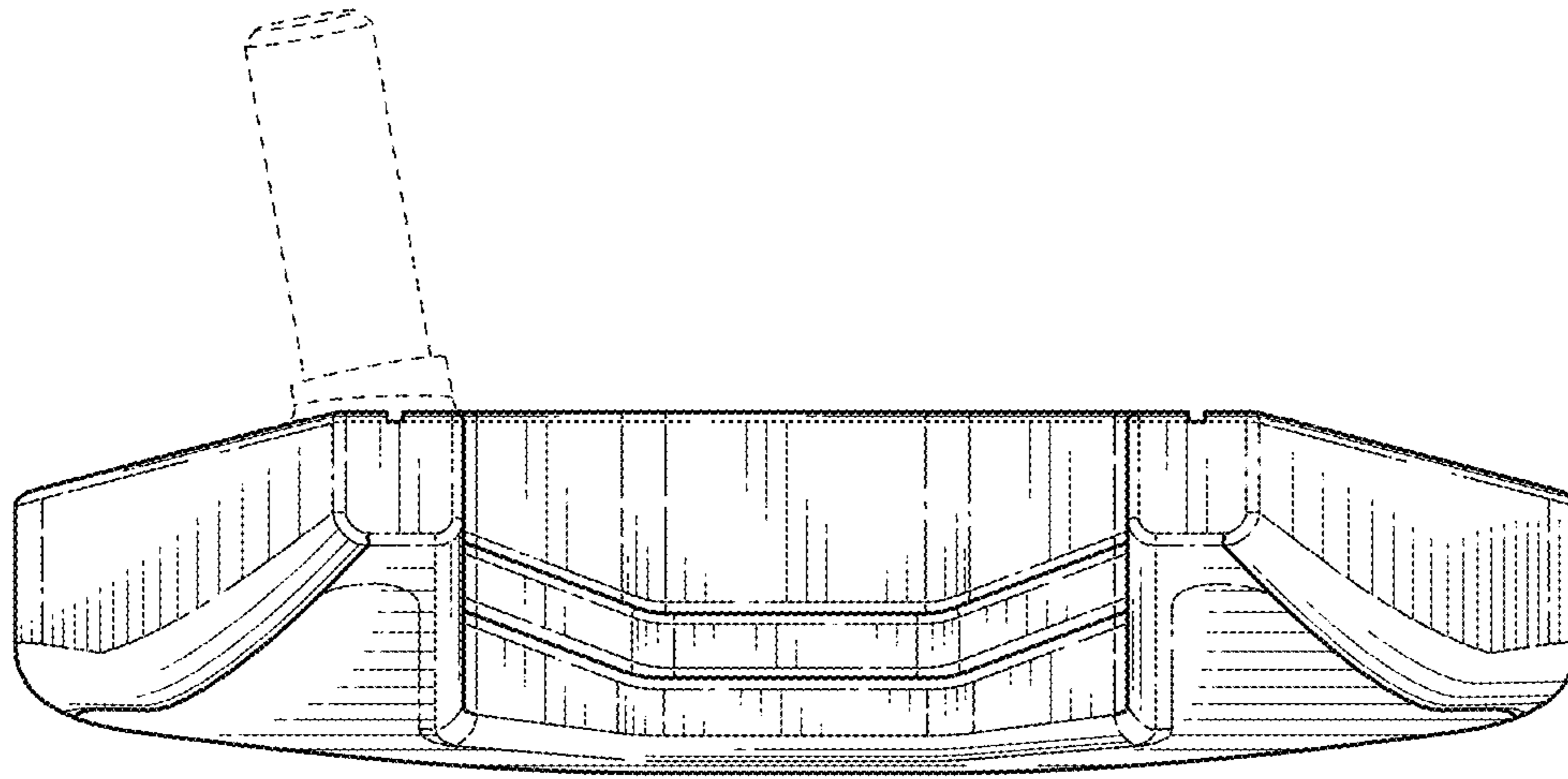


FIG. 2

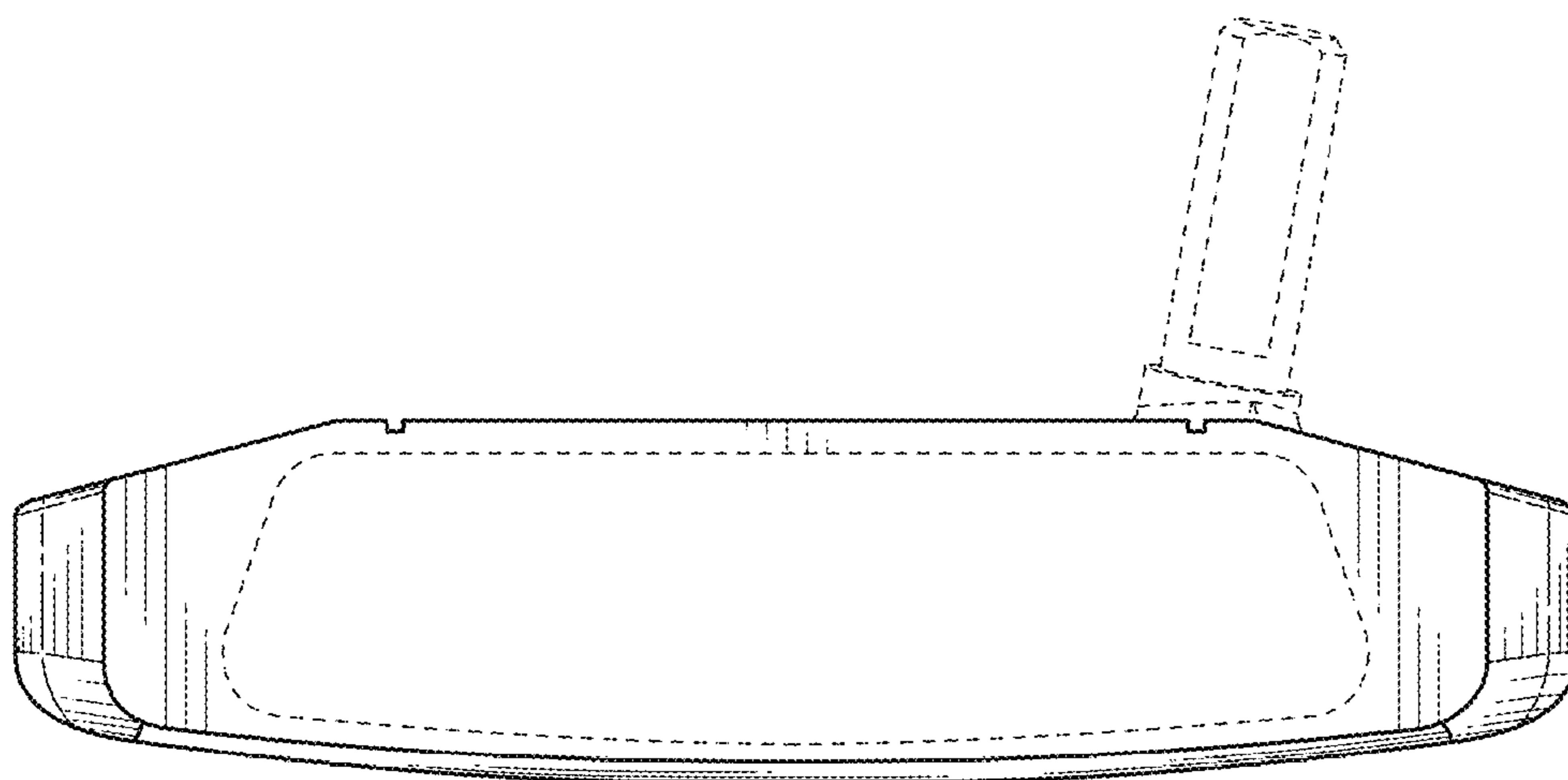


FIG. 3

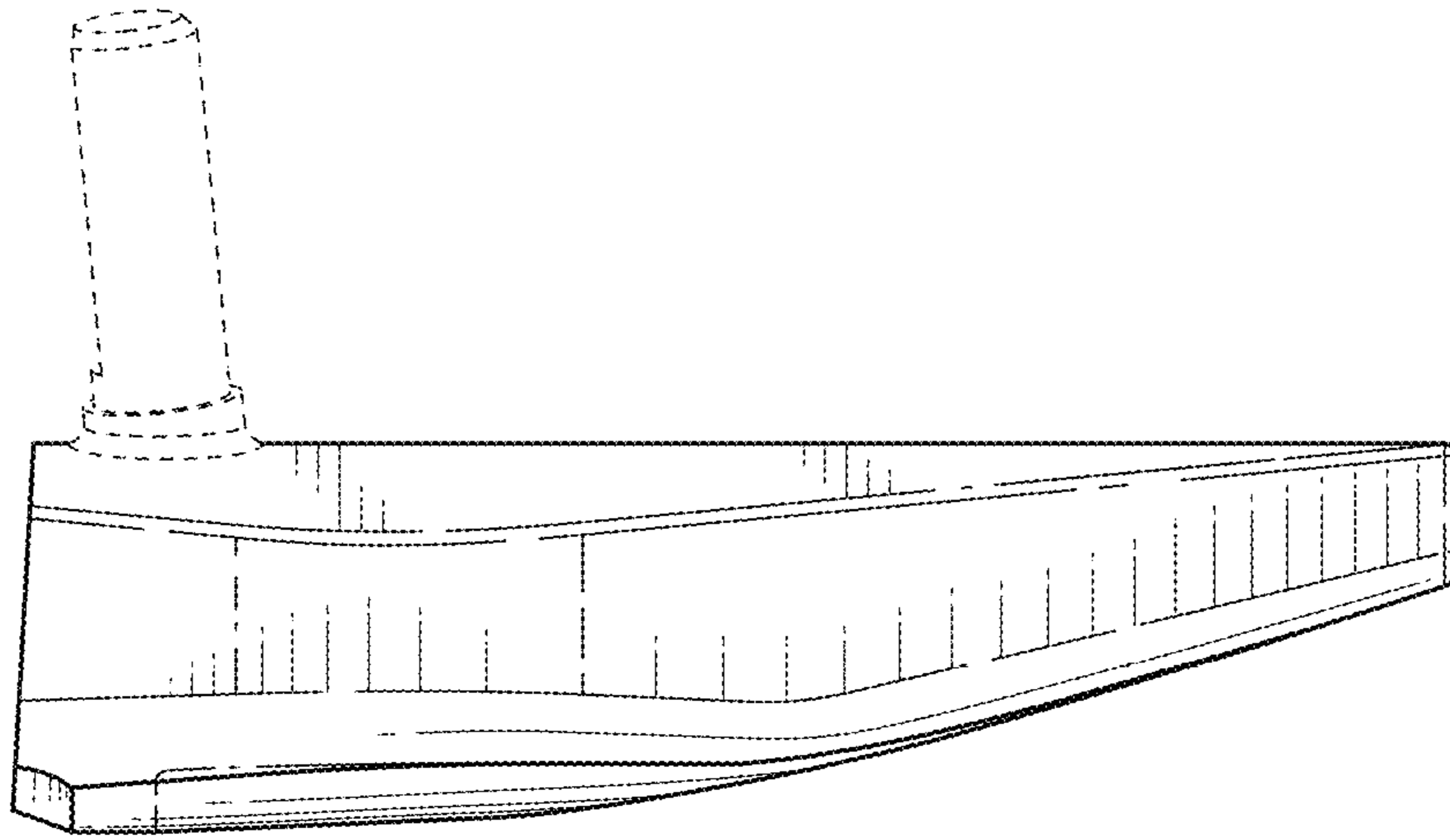


FIG. 4

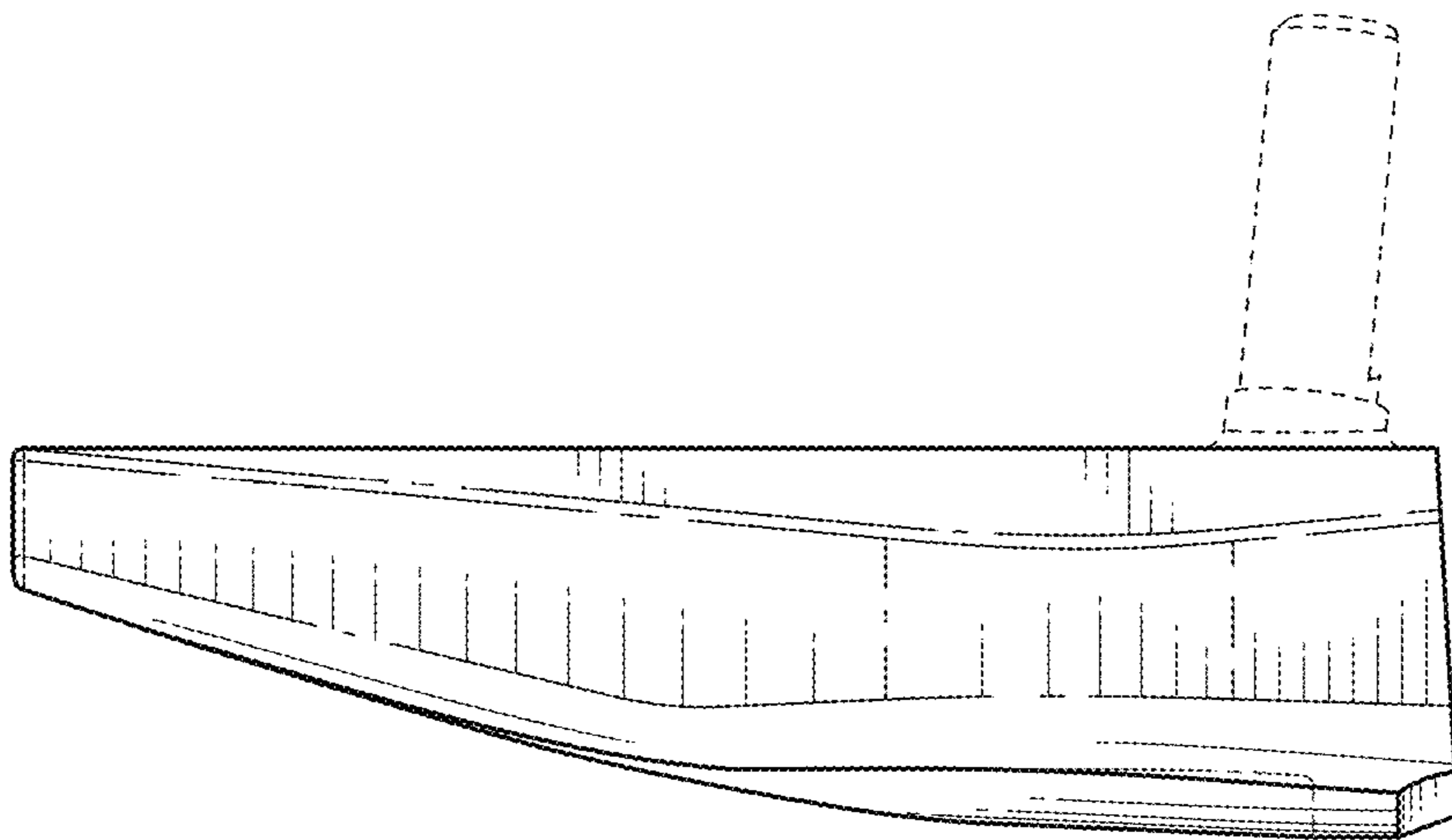


FIG. 5

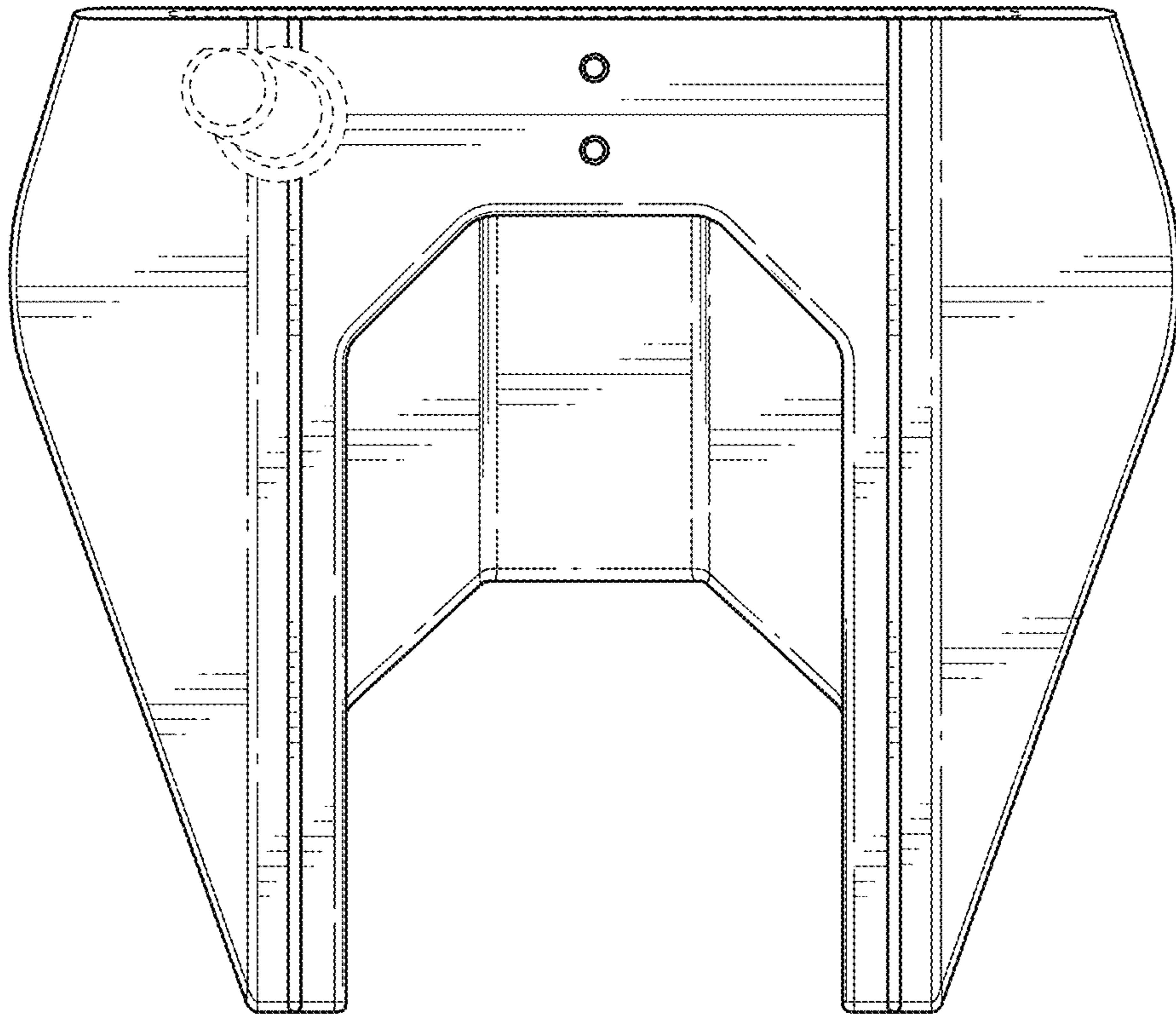


FIG. 6

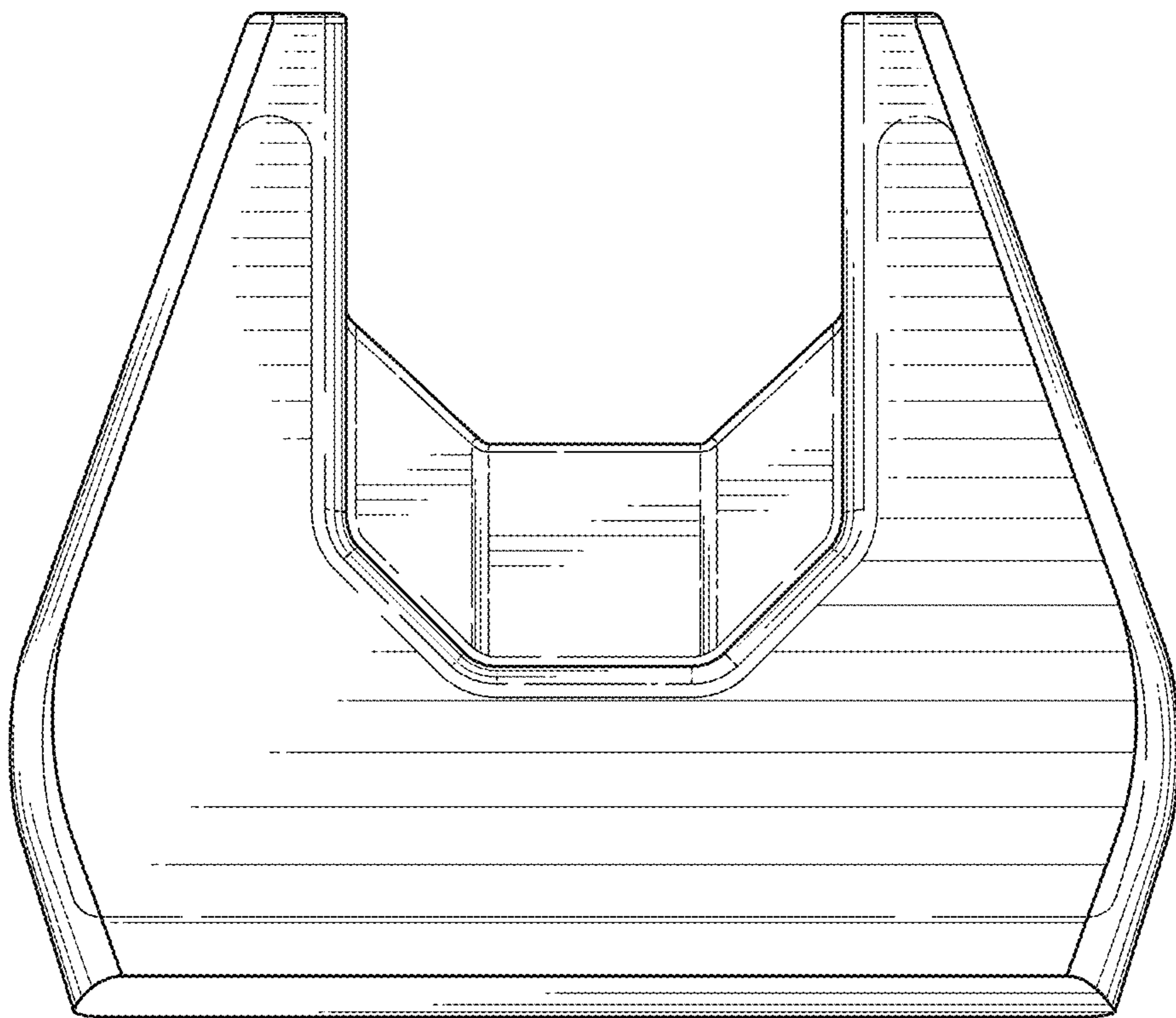


FIG. 7