



US00D768247S

(12) **United States Design Patent**  
**Rollinson et al.**

(10) **Patent No.:** **US D768,247 S**

(45) **Date of Patent:** **\*\* Oct. 4, 2016**

(54) **PUTTER HEAD**

(71) Applicant: **CALLAWAY GOLF COMPANY,**  
Carlsbad, CA (US)

(72) Inventors: **Augustin W. Rollinson,** Carlsbad, CA  
(US); **Jonathan A. Thompson,** New  
Smyrna Beach, FL (US)

(73) Assignee: **Callaway Golf Company,** Carlsbad,  
CA (US)

(\*\*) Term: **15 Years**

(21) Appl. No.: **29/537,673**

(22) Filed: **Aug. 27, 2015**

(51) **LOC (10) Cl.** ..... **21-02**

(52) **U.S. Cl.**  
USPC ..... **D21/744**

(58) **Field of Classification Search**  
USPC ..... D21/736-746, 759  
CPC A63B 53/00; A63B 53/065; A63B 53/0487;  
A63B 53/007; A63B 53/04  
See application file for complete search history.

(56) **References Cited**

**U.S. PATENT DOCUMENTS**

D255,373 S \* 6/1980 Solheim ..... D21/743  
D399,911 S \* 10/1998 Nicolette ..... D21/736  
D400,610 S \* 11/1998 Cameron ..... D21/742  
D407,445 S \* 3/1999 Rollinson ..... D21/743

D428,457 S \* 7/2000 Rollinson ..... D21/743  
6,273,831 B1 \* 8/2001 Dewanjee ..... A63B 53/04  
273/DIG. 8  
D635,625 S \* 4/2011 Rollinson ..... D21/743  
D644,703 S \* 9/2011 Serrano ..... D21/743  
D720,024 S \* 12/2014 Rollinson ..... D21/736  
D720,411 S \* 12/2014 Rollinson ..... D21/743  
D720,412 S \* 12/2014 Rollinson ..... D21/743  
D759,172 S \* 6/2016 Rollinson ..... D21/743  
D759,173 S \* 6/2016 Rollinson ..... D21/743  
2006/0223646 A1 \* 10/2006 Rife ..... A63B 53/0487  
473/251

\* cited by examiner

*Primary Examiner* — Mitchell Siegel

(74) *Attorney, Agent, or Firm* — Rebecca Hanovice;  
Michael Catania; Sonia Lari

(57) **CLAIM**

The ornamental design for a putter head, as shown and described.

**DESCRIPTION**

FIG. 1 is a rear perspective view of a the putter head as claimed herein;

FIG. 2 is a rear elevational view thereof;

FIG. 3 is a front elevational view thereof;

FIG. 4 is a right side elevational view thereof;

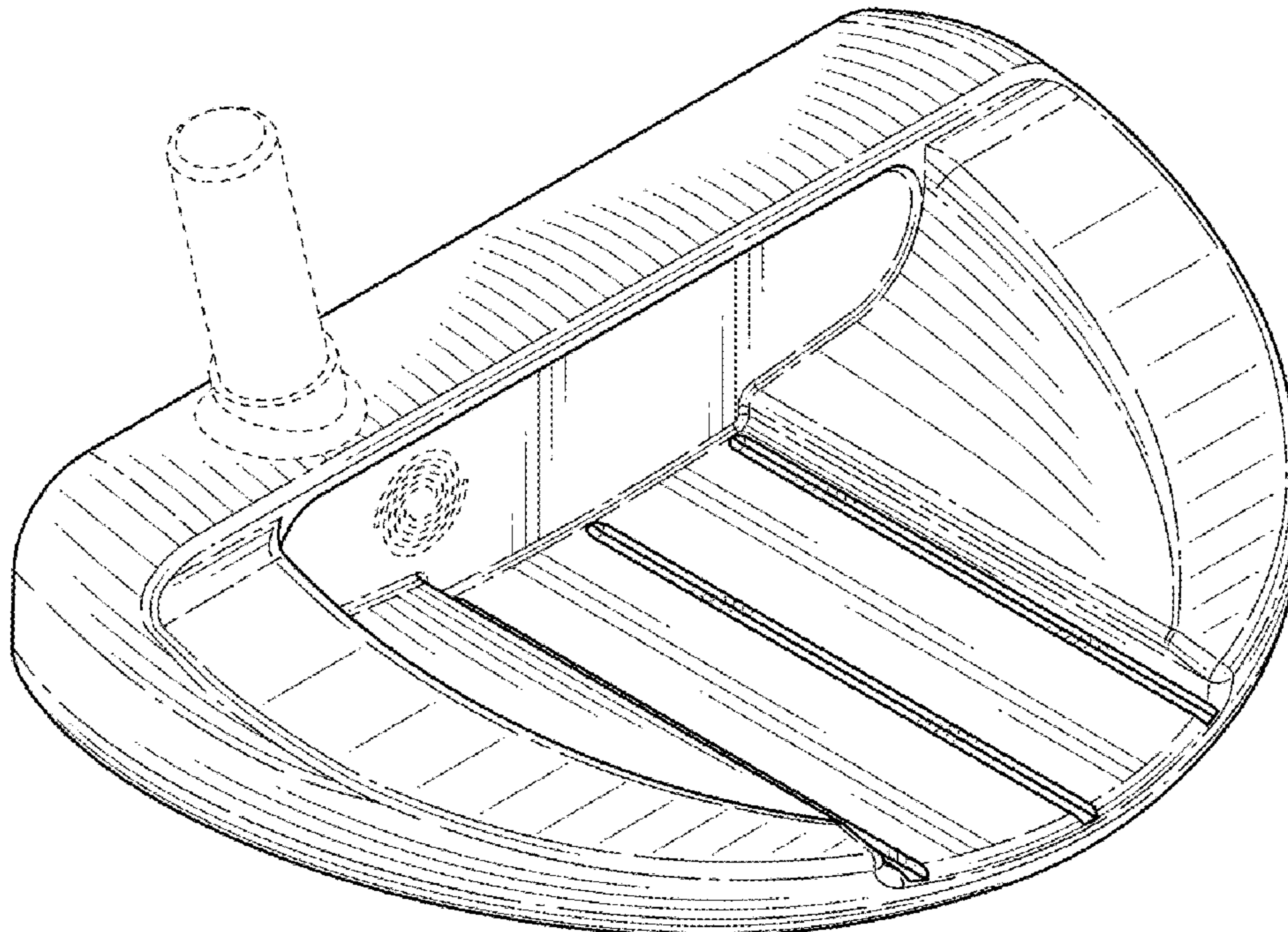
FIG. 5 is a left side elevational view thereof;

FIG. 6 is a top plan view thereof; and,

FIG. 7 is a bottom plan view thereof.

The broken lines are included for the purpose of illustration and form no part of the claimed design.

**1 Claim, 4 Drawing Sheets**



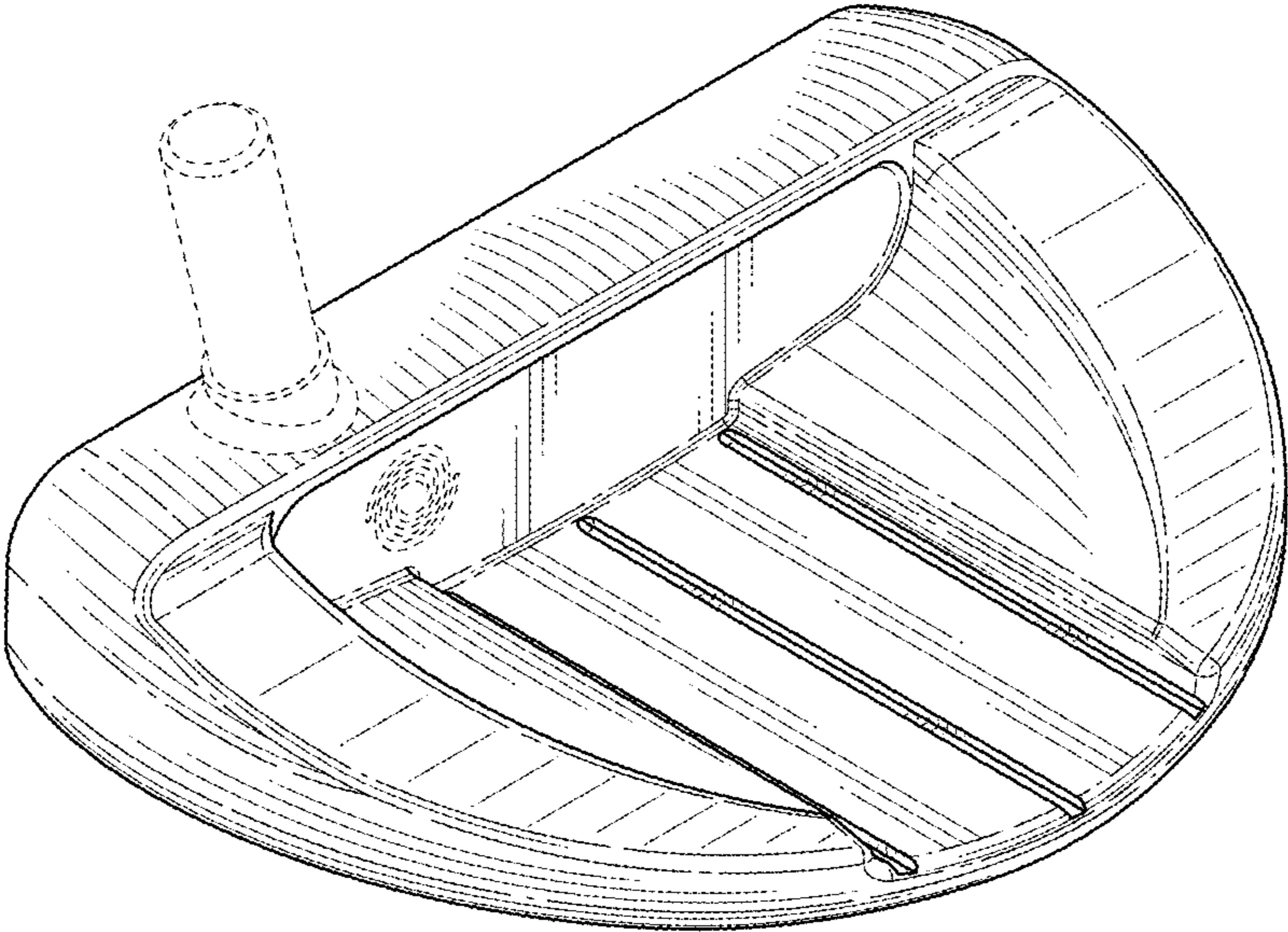


FIG. 1

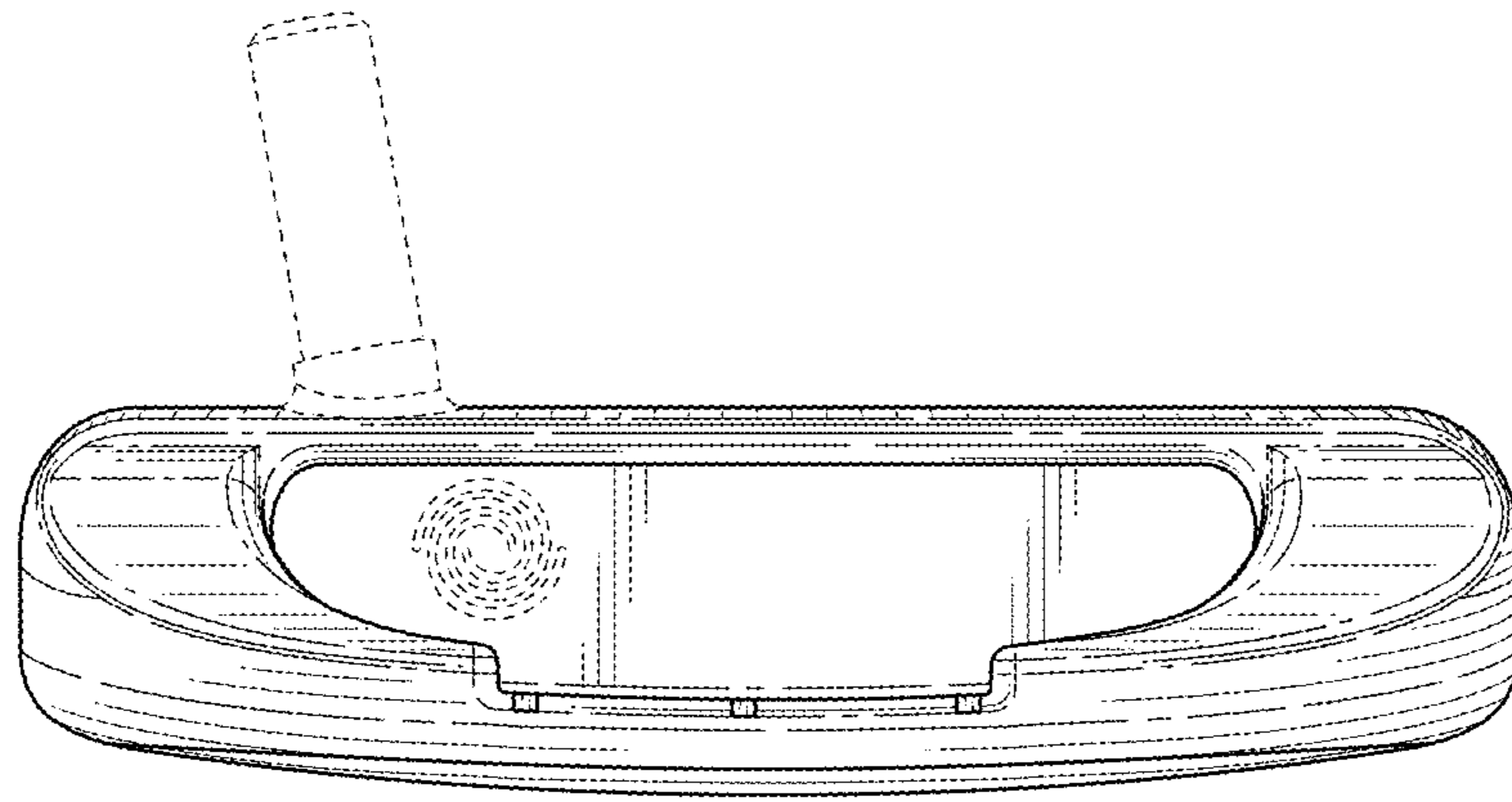


FIG. 2

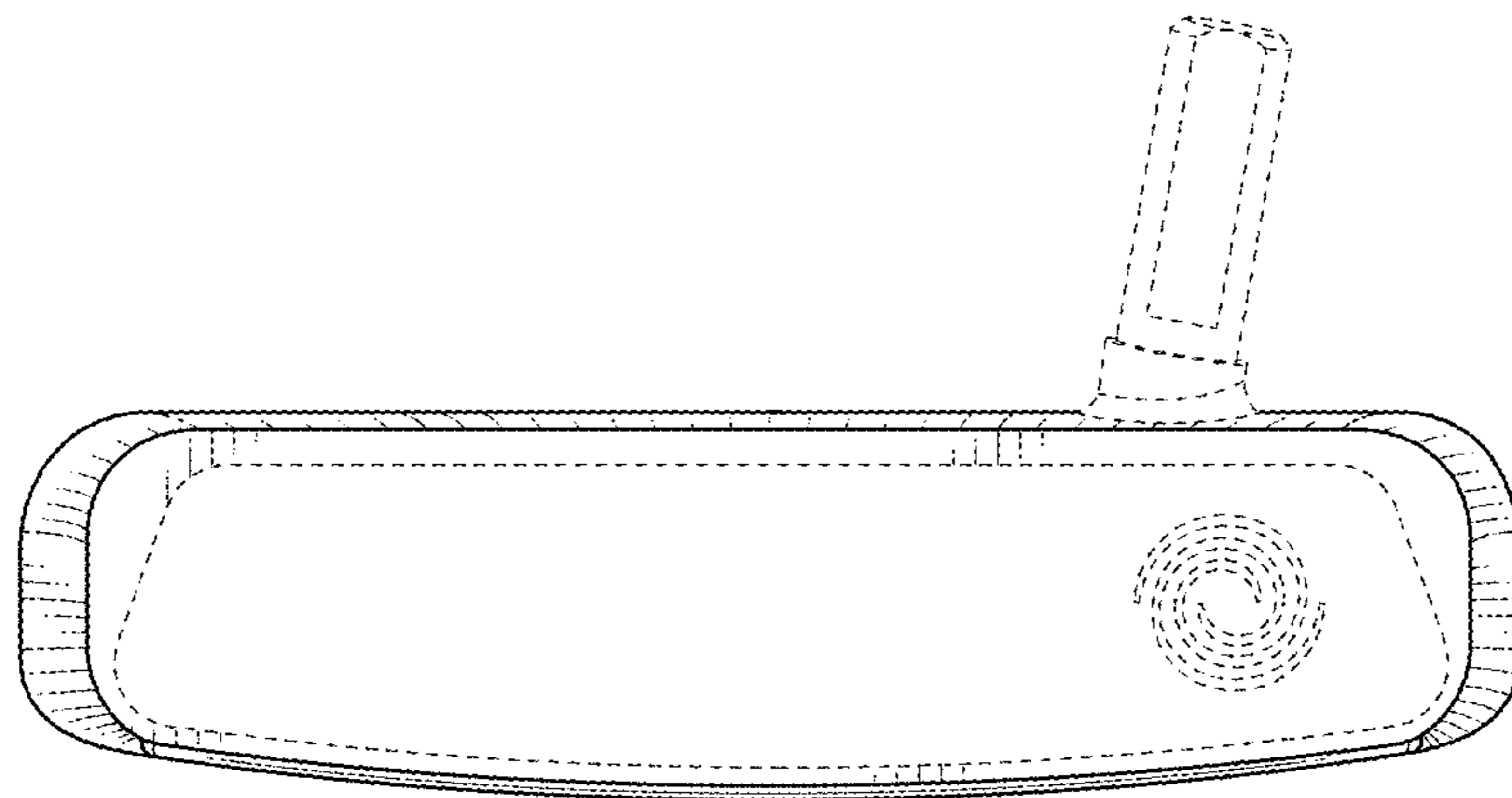


FIG. 3

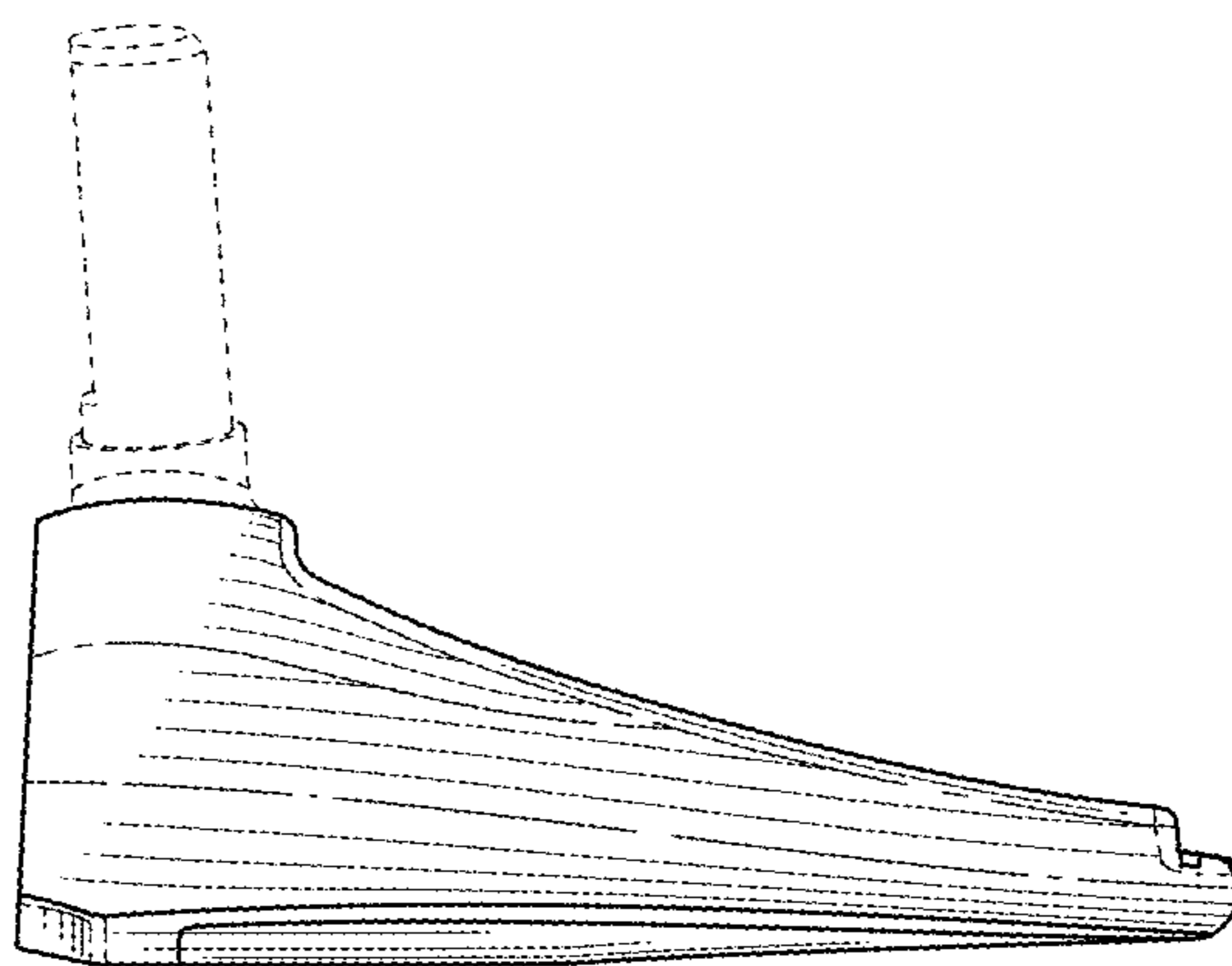


FIG. 4

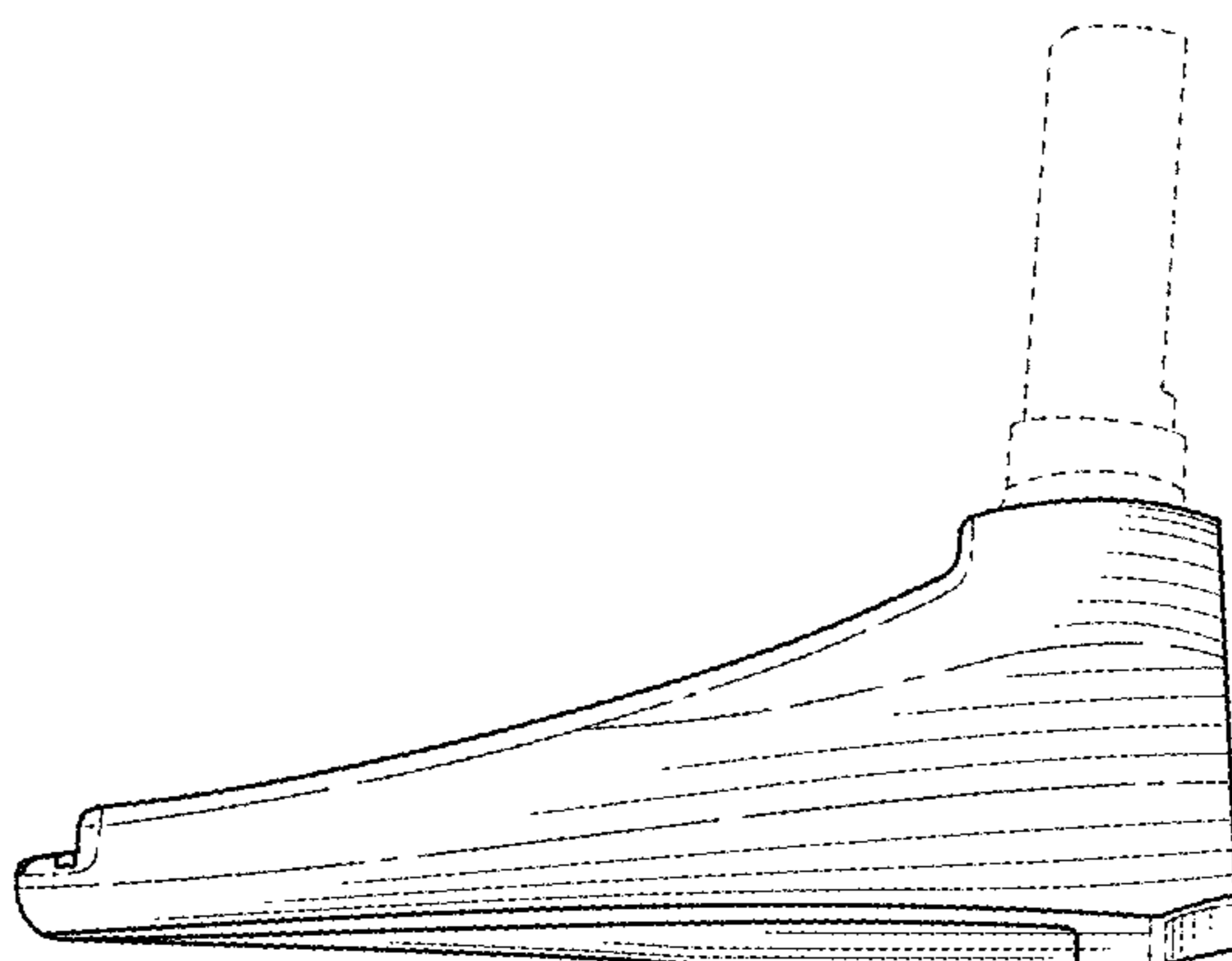


FIG. 5

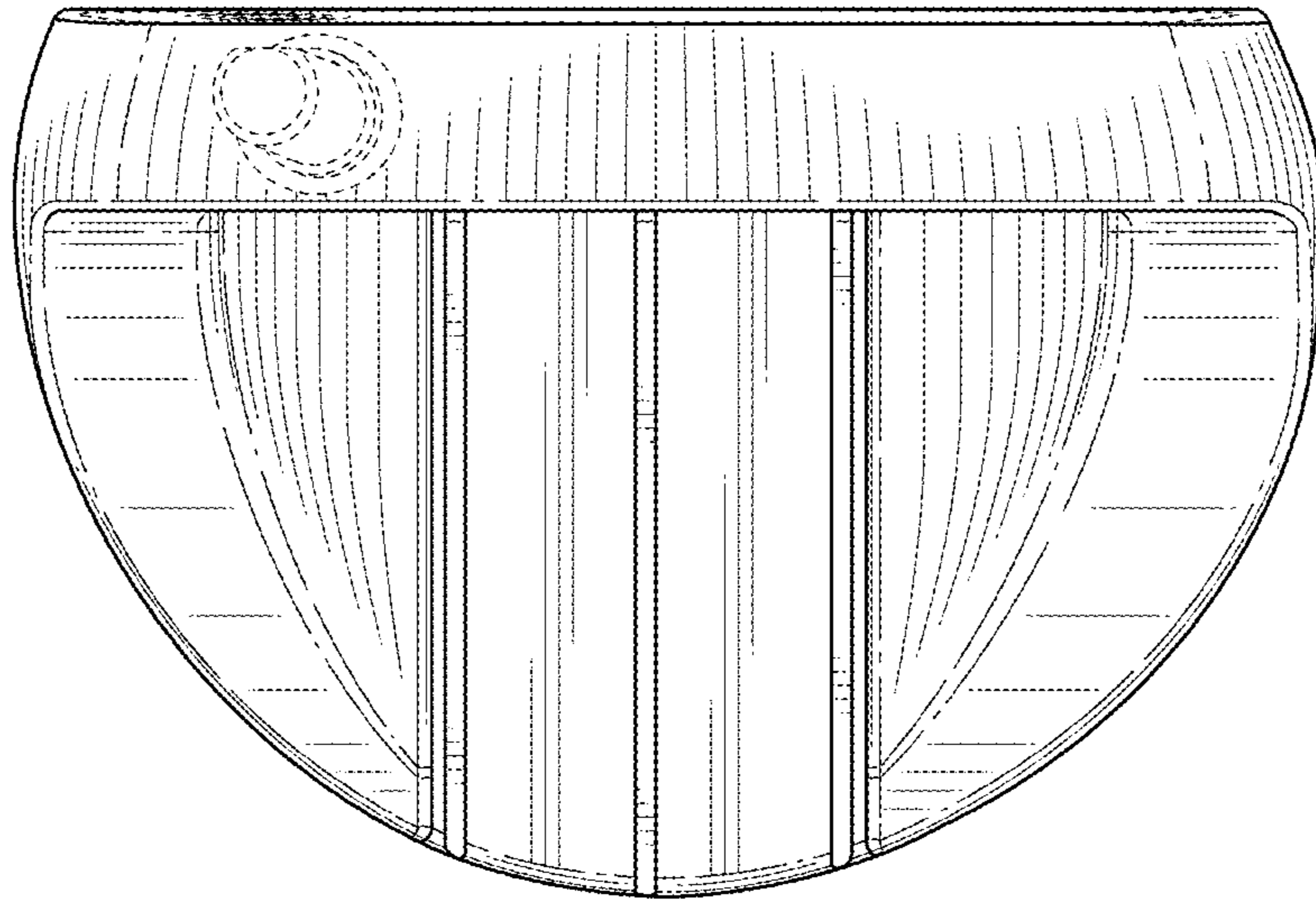


FIG. 6

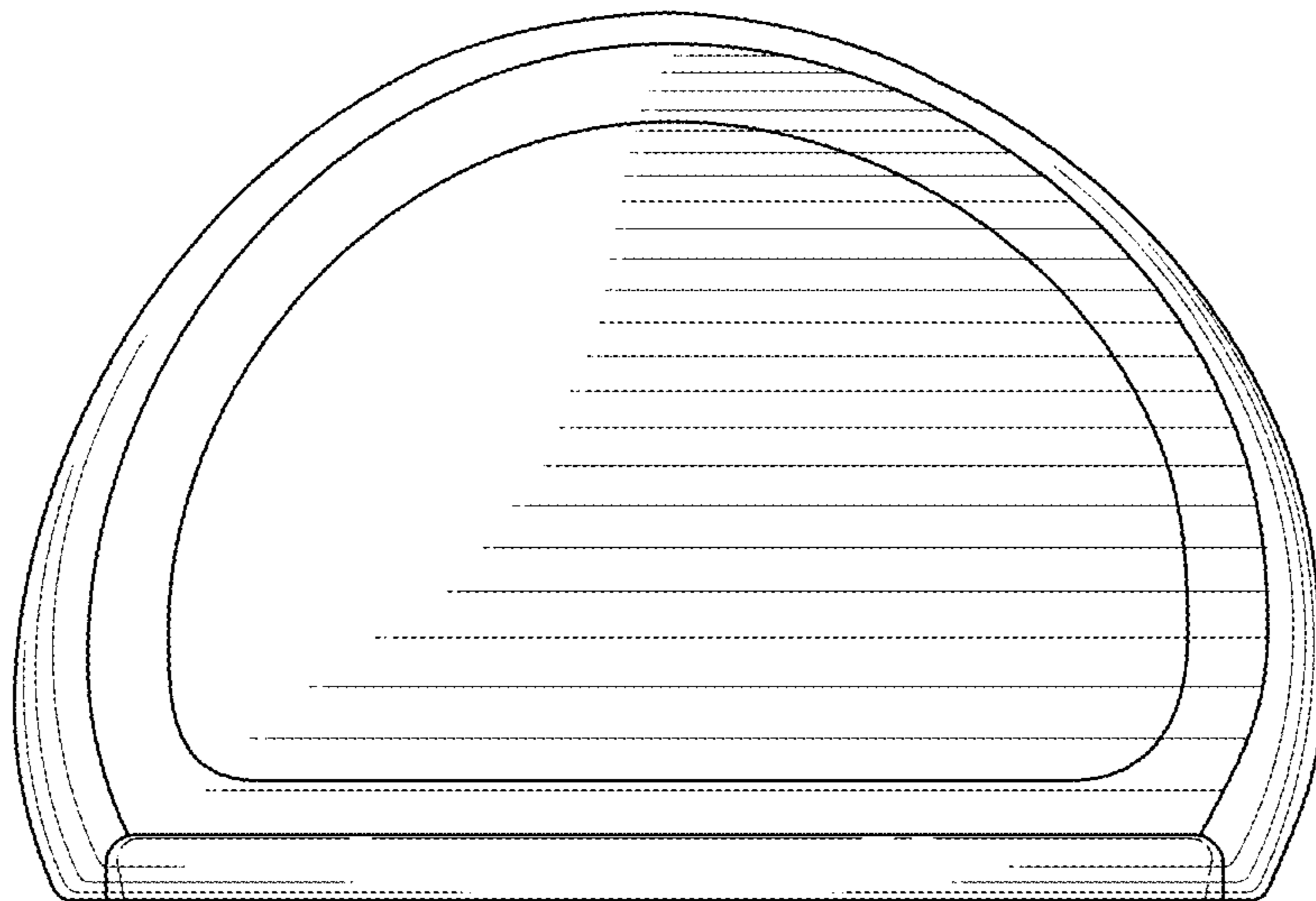


FIG. 7